



US00D508751S

(12) **United States Design Patent**
Rashidi

(10) **Patent No.: US D508,751 S**

(45) **Date of Patent: ** Aug. 23, 2005**

(54) **ENCLOSED MULTICOLORED FRUSTUM SHAPED DROP OPAL LENS TRIM**

(76) **Inventor: Hamid Rashidi**, 139 N. Clark Dr., Beverly Hills, CA (US) 90211

(**) **Term: 14 Years**

(21) **Appl. No.: 29/208,293**

(22) **Filed: Jun. 24, 2004**

(51) **LOC (8) Cl. 26-05**

(52) **U.S. Cl. D26/74; D26/120**

(58) **Field of Search D26/74, 118, 120, D26/122-124; 362/147, 296, 300, 235, 301, 307, 310, 311, 347-350, 364-366**

(56) **References Cited**

U.S. PATENT DOCUMENTS

2,922,030	A	*	1/1960	Bobrick	362/366
D325,651	S	*	4/1992	Sonneman	D26/152
D387,466	S	*	12/1997	Lecluze	D26/118
6,421,904	B1	*	7/2002	Wedekind et al.	29/432
D474,300	S	*	5/2003	Lecluze	D26/74

OTHER PUBLICATIONS

Seagull Lighting Catalog No. 04A (C)2003. Item 1134-68 on p. 419.(1 page).*

* cited by examiner

Primary Examiner—Clare E Heflin

(74) *Attorney, Agent, or Firm*—Thomas I. Rozsa; Tony D. Chen

(57) **CLAIM**

The ornamental design for an enclosed multicolored frustum shaped drop opal lens trim, as shown and described.

DESCRIPTION

FIG. 1 is a perspective view of the enclosed multicolored frustum shaped drop opal lens trim, showing my design;

FIG. 2 is a top plan view;

FIG. 3 is a bottom plan view;

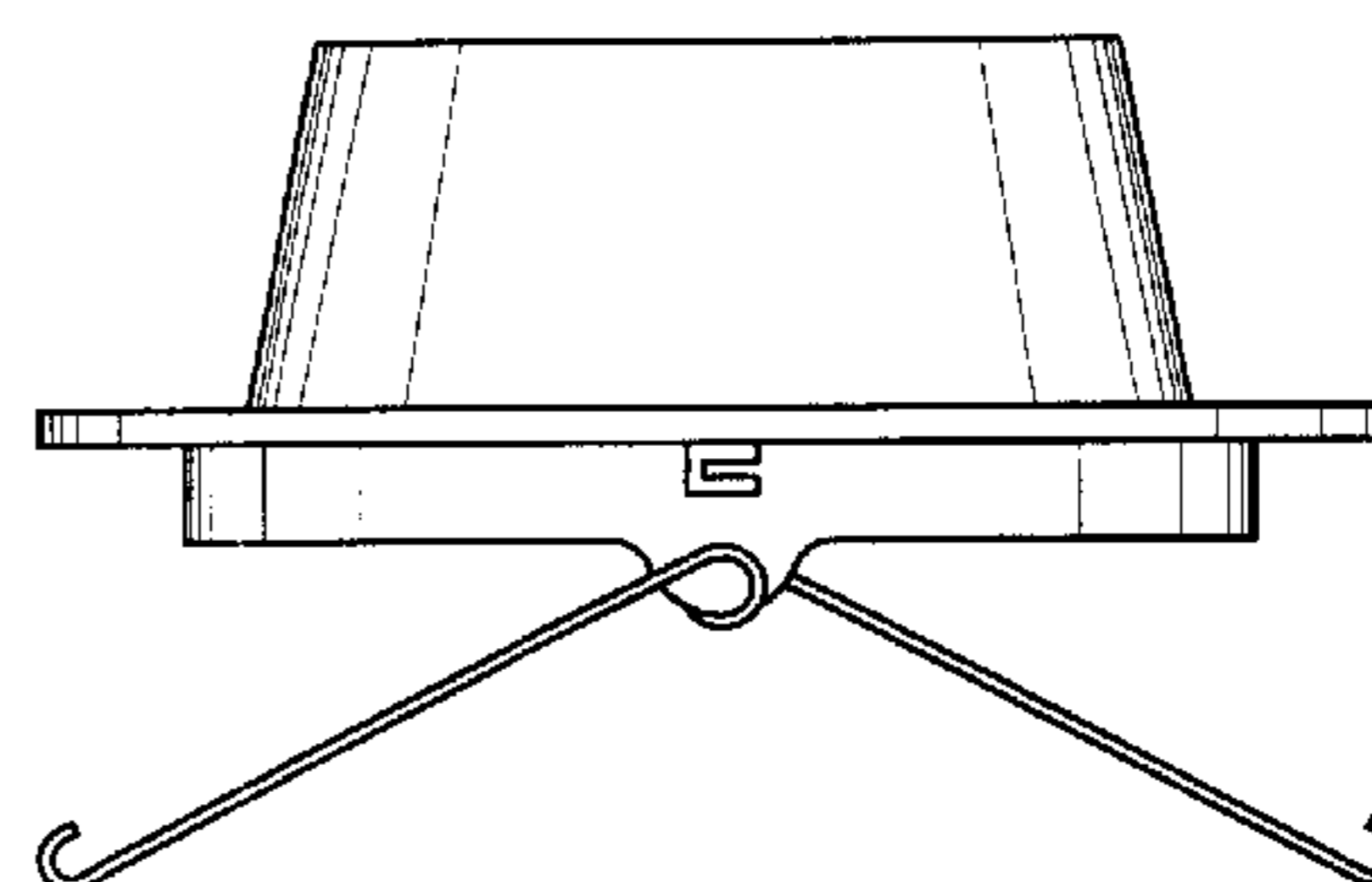
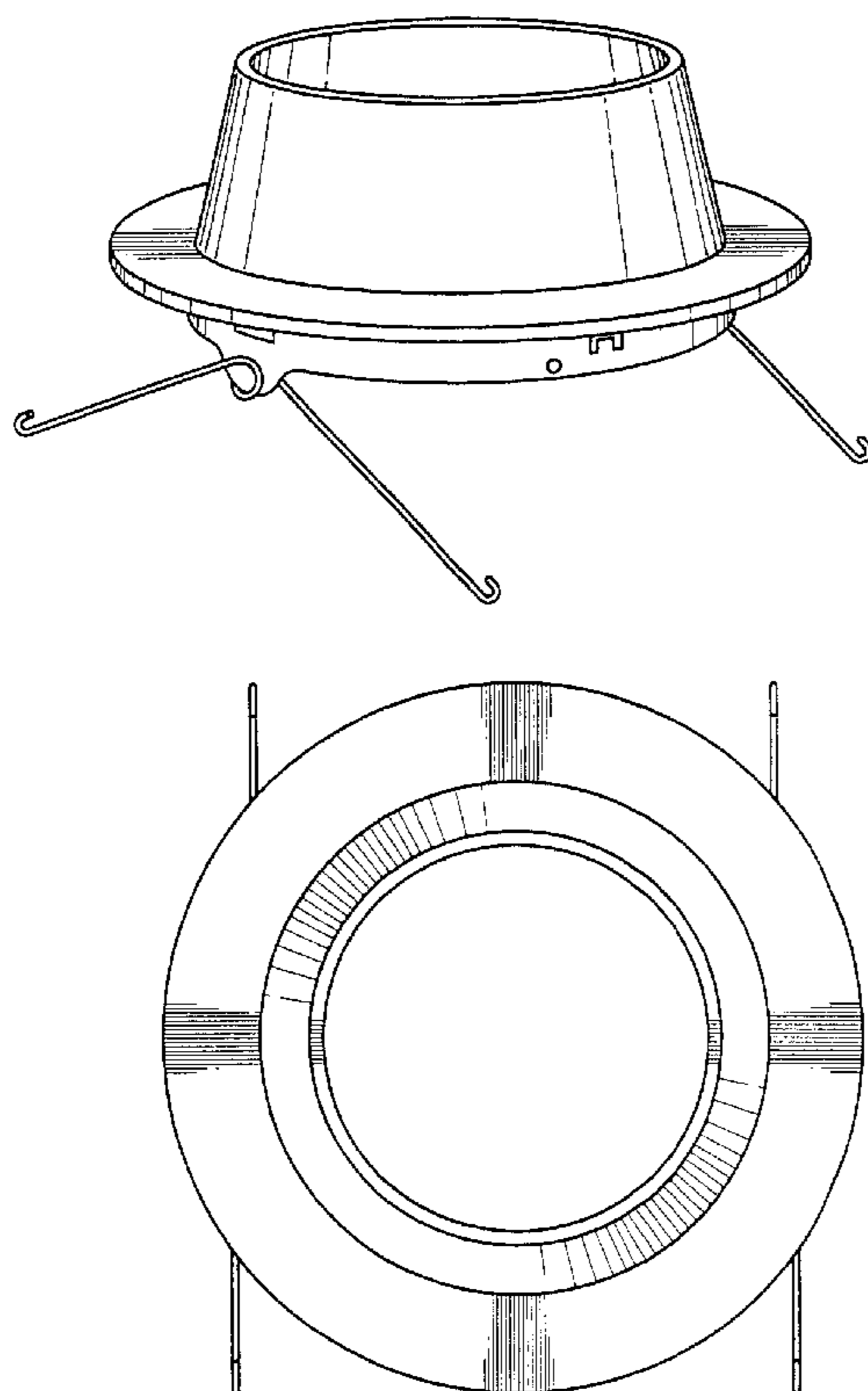
FIG. 4 is a front elevational view;

FIG. 5 is a rear elevational view;

FIG. 6 is a side elevational view when viewed from the right side; and,

FIG. 7 is a side elevational view when viewed from the left side.

1 Claim, 2 Drawing Sheets



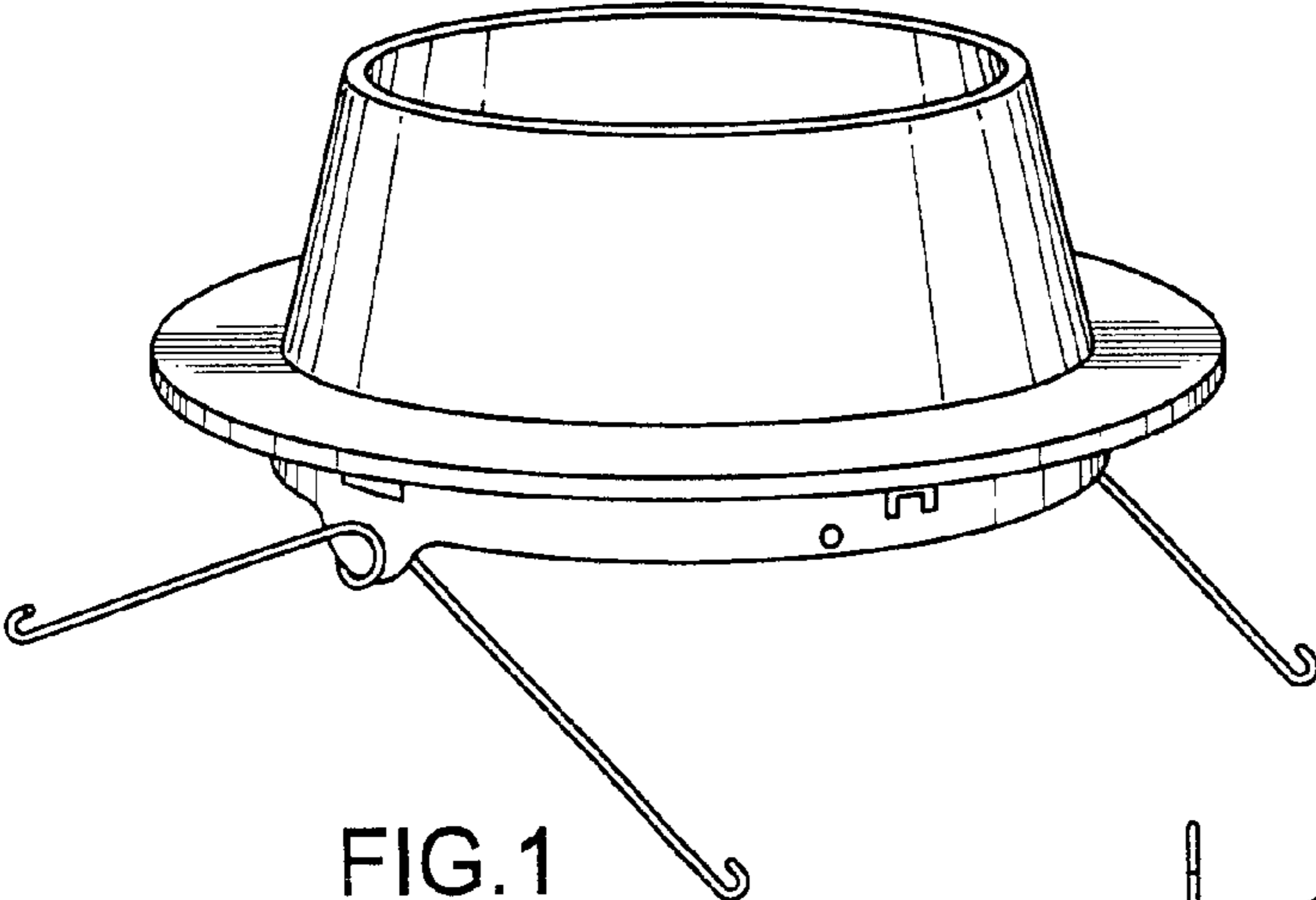


FIG.1

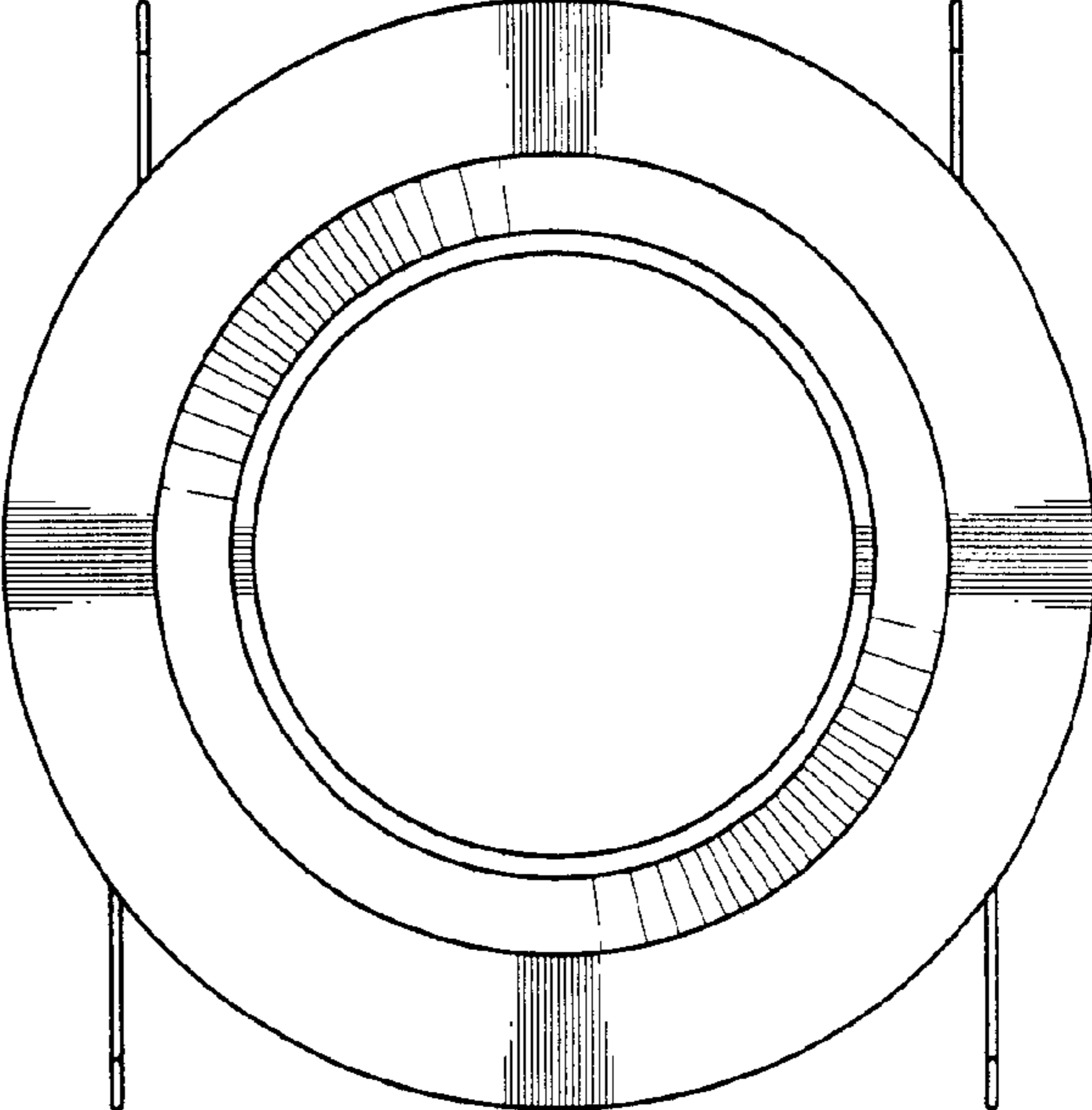


FIG.2

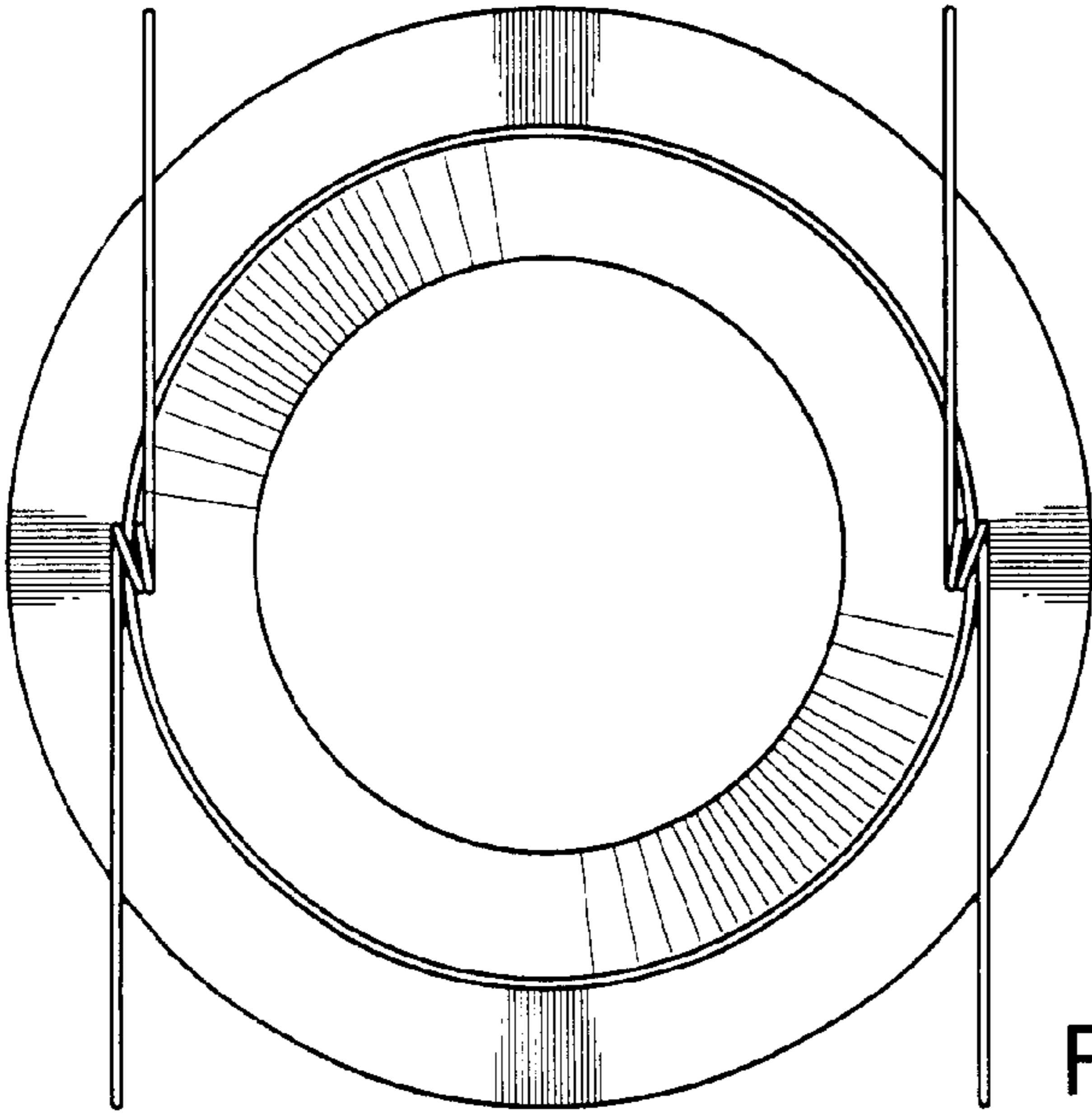


FIG.3

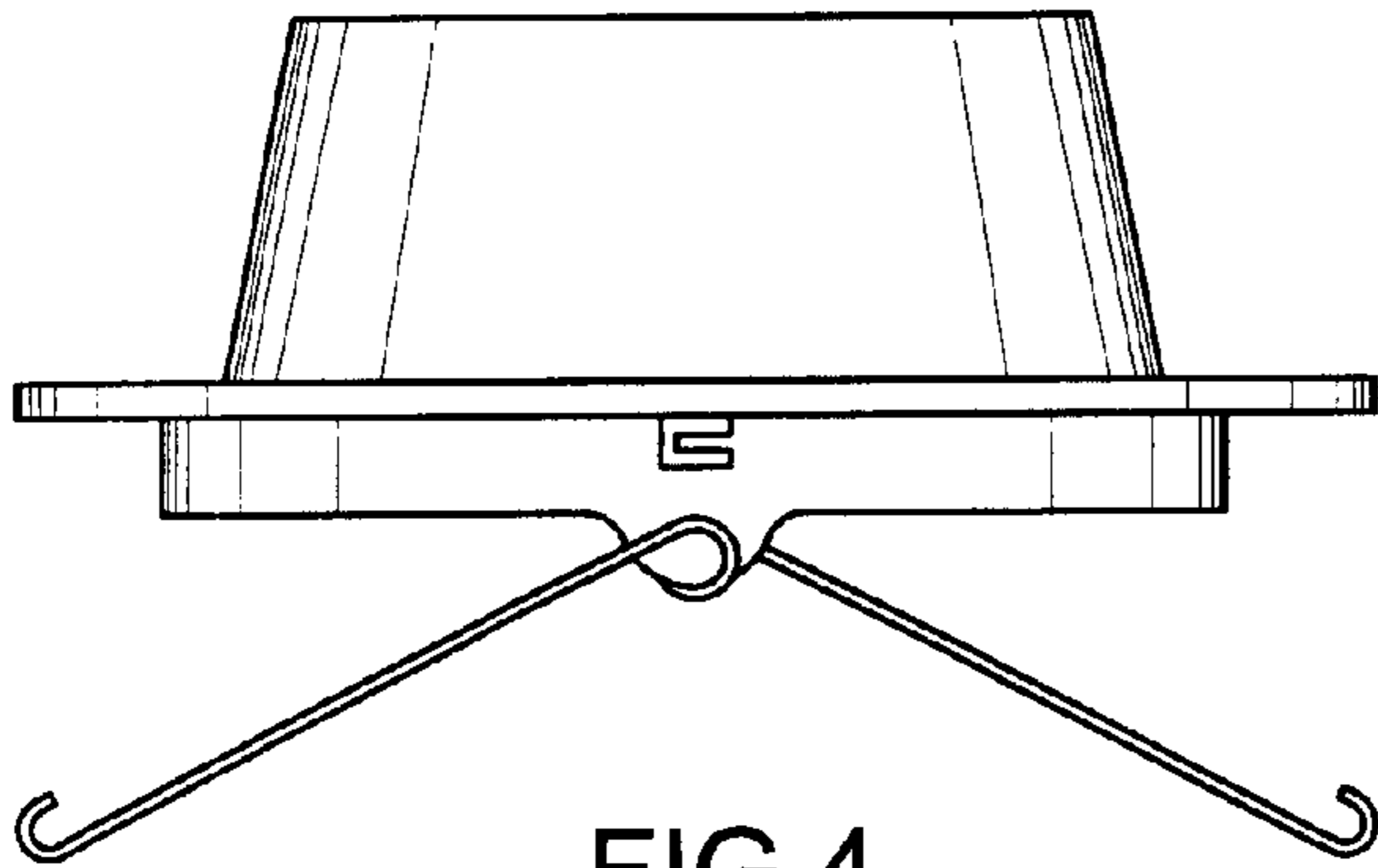


FIG. 4

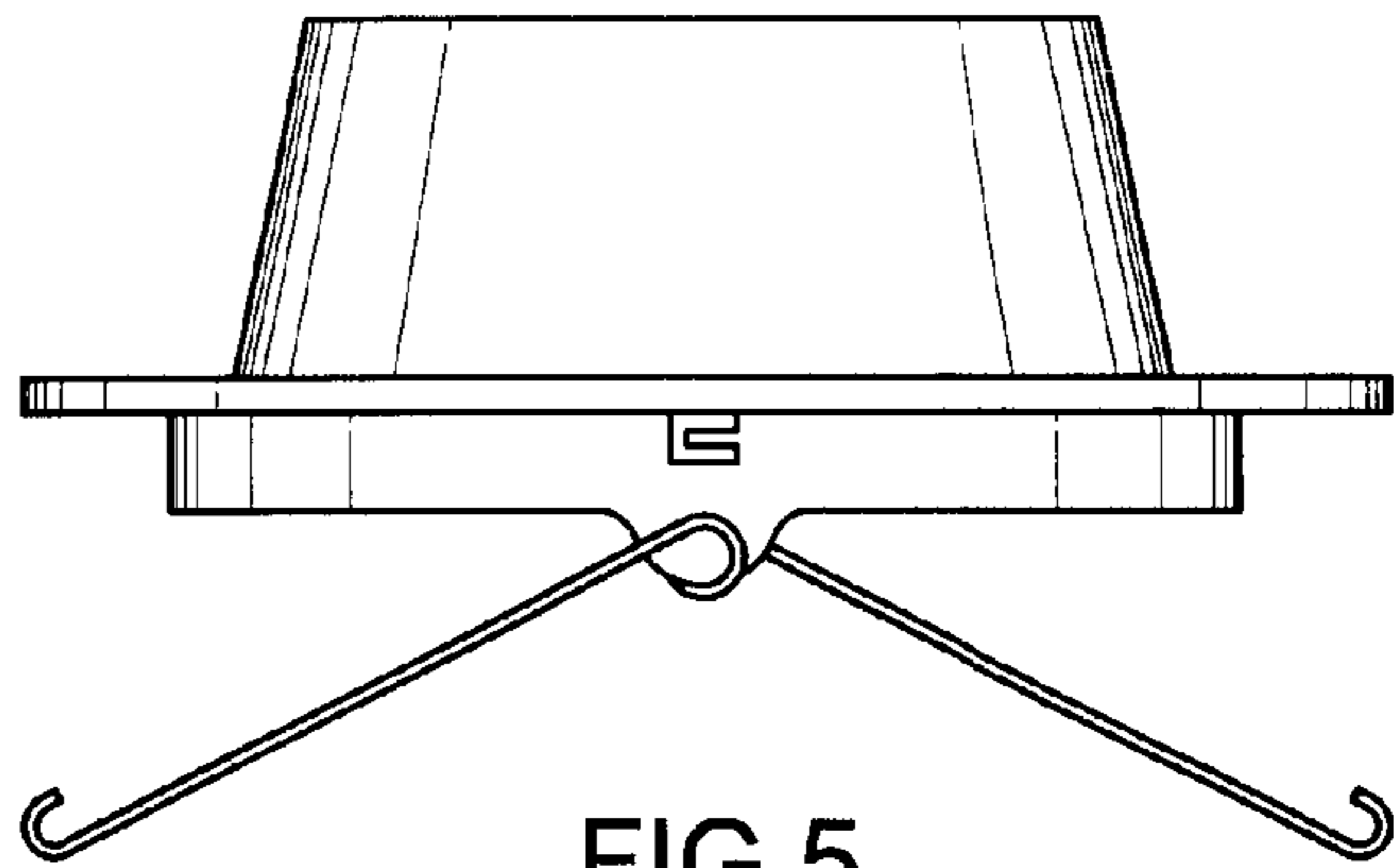


FIG. 5

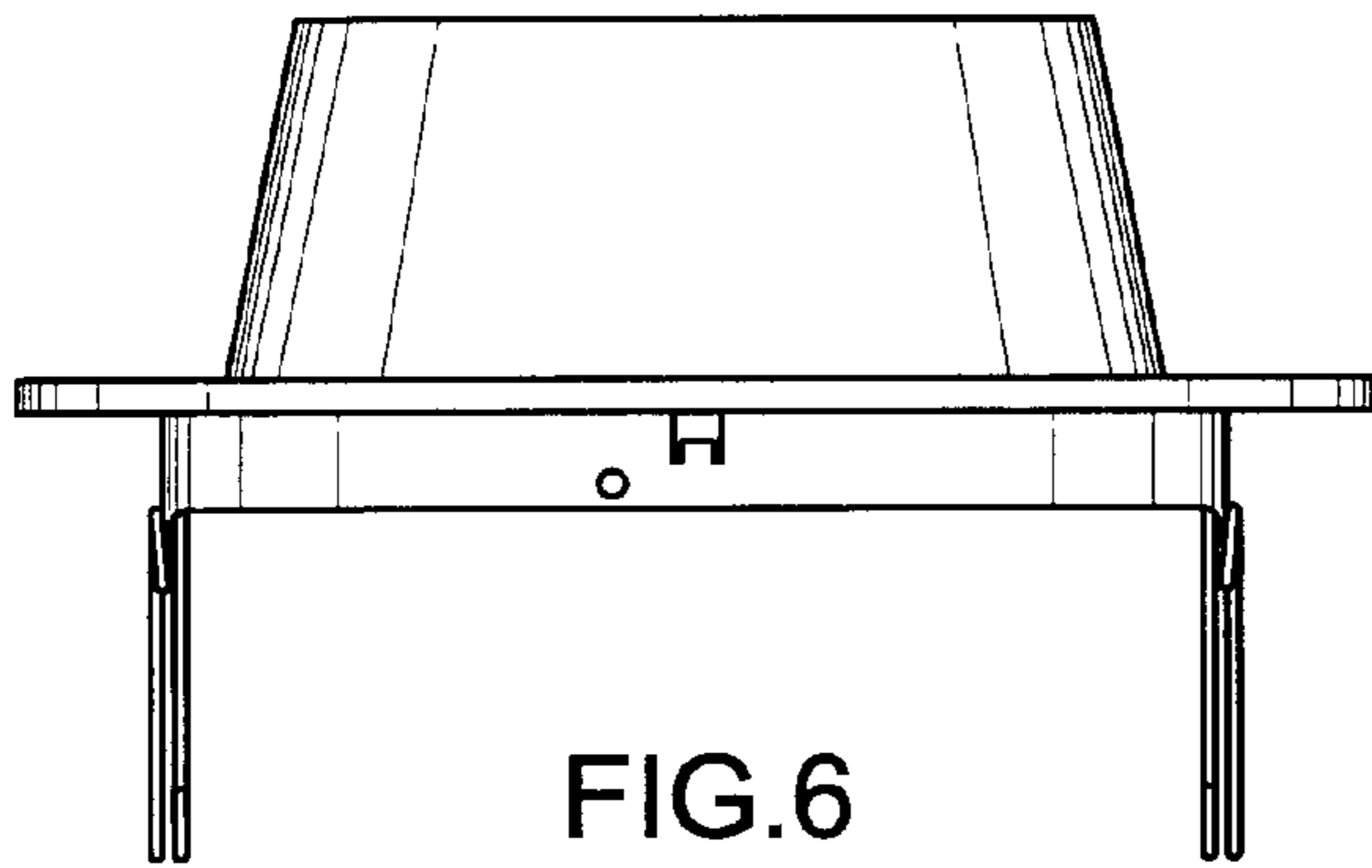


FIG. 6

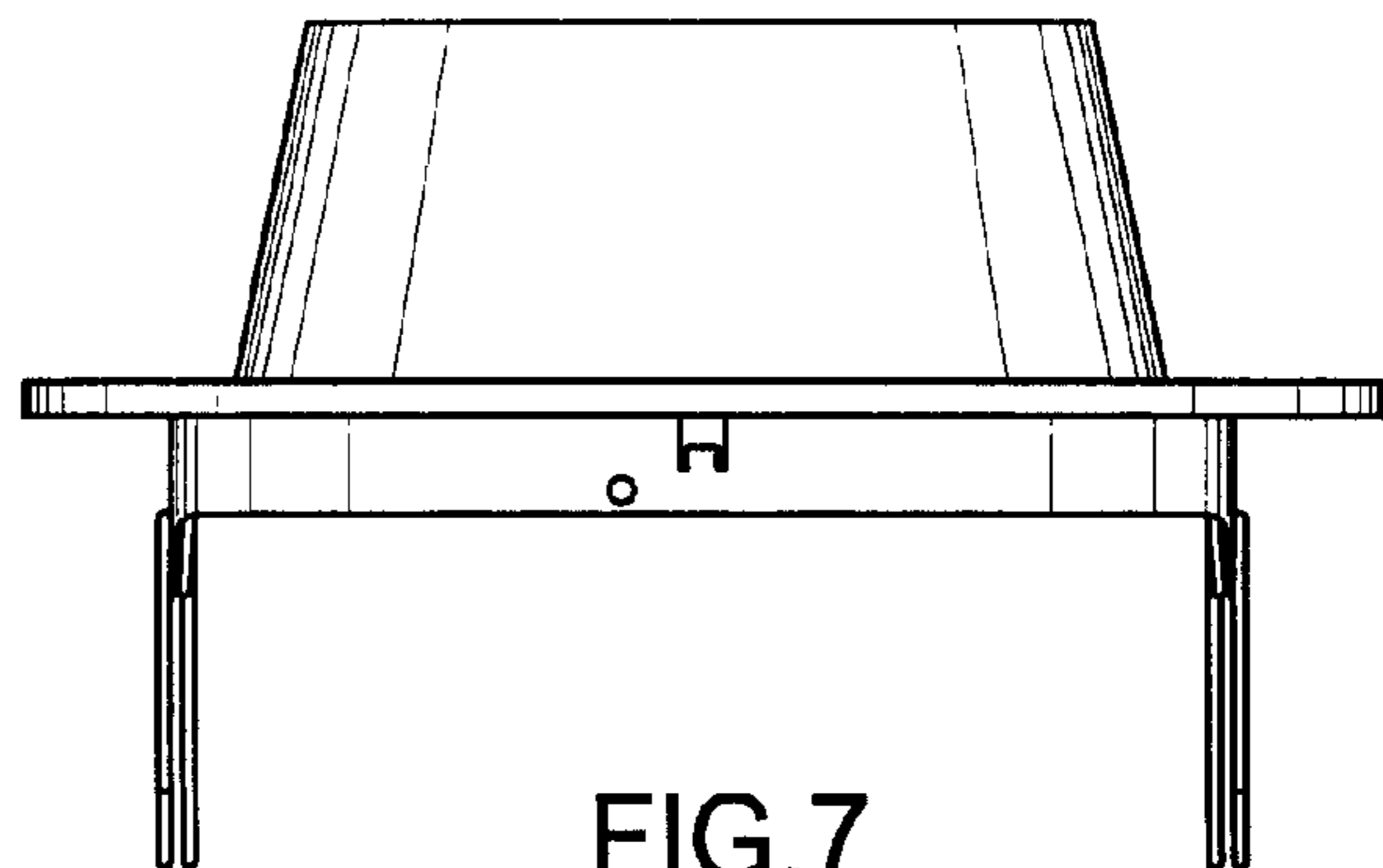


FIG. 7