

US00D508750S

(12) **United States Design Patent**  
**Rashidi**

(10) **Patent No.:** **US D508,750 S**

(45) **Date of Patent:** **\*\* Aug. 23, 2005**

(54) **DONUT SHAPED DROP OPAL LENS TRIM**

(76) Inventor: **Hamid Rashidi**, 139 North Clark Dr.,  
Beverly Hills, CA (US) 90211

(\*\*) Term: **14 Years**

(21) Appl. No.: **29/208,292**

(22) Filed: **Jun. 24, 2004**

(51) **LOC (8) Cl.** ..... **26-05**

(52) **U.S. Cl.** ..... **D26/74; D26/120**

(58) **Field of Search** ..... D26/74, 118, 120,  
D26/122-124; 362/147, 296, 300, 235,  
301, 307, 310, 311, 347-350, 364-366

(56) **References Cited**

**U.S. PATENT DOCUMENTS**

D115,970 S \* 8/1939 Stewart ..... D26/124  
D387,466 S \* 12/1997 Lecluze ..... D26/118  
D476,108 S \* 6/2003 Lecluze ..... D26/74

**FOREIGN PATENT DOCUMENTS**

WO DM051457 \* 2/2000

**OTHER PUBLICATIONS**

Y Lighting's Recessed Lighting Model No. 8423.(C)2004.  
Found online at ylighting.com on Mar. 15, 2005.(2 pages).\*  
Y Lighting's Recessed Lighting Model No. 8420. (C)2004.  
Found online at ylighting.com on Mar. 15, 2005. (1 page).\*

\* cited by examiner

*Primary Examiner*—Clare E Heflin

(74) *Attorney, Agent, or Firm*—Thomas I. Rozsa; Tony D. Chen

(57) **CLAIM**

The ornamental design for a donut shaped drop opal lens trim, as shown and described.

**DESCRIPTION**

FIG. 1 is a perspective view of the donut shaped drop opal lens trim, showing my design;

FIG. 2 is a top plan view;

FIG. 3 is a bottom plan view;

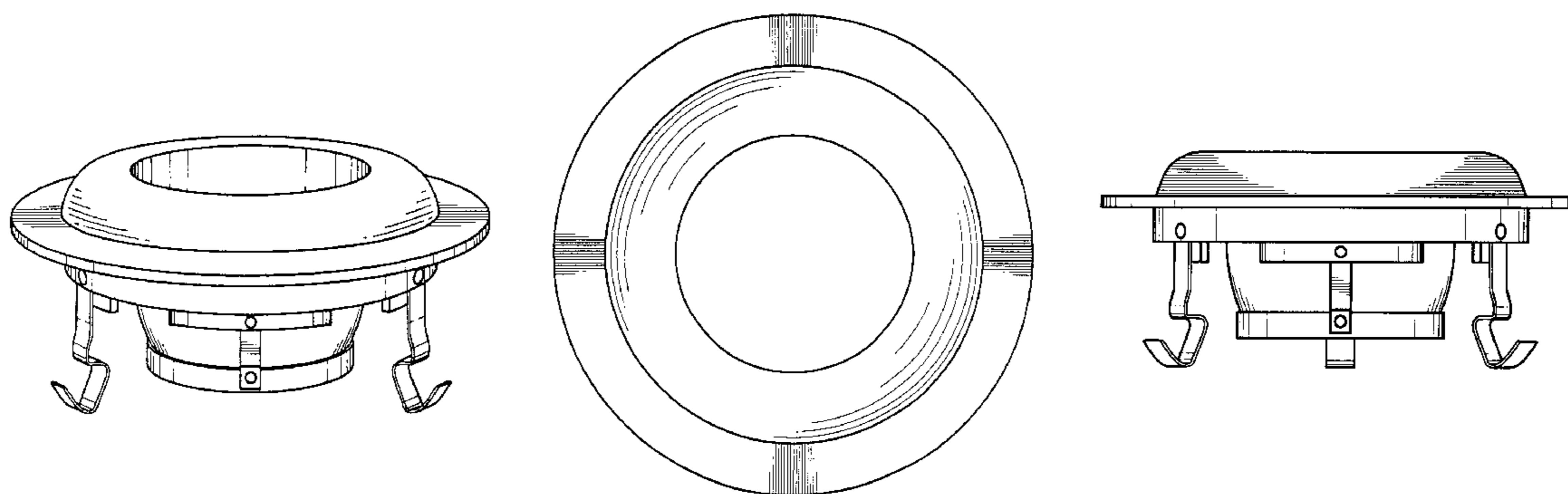
FIG. 4 is a front elevational view;

FIG. 5 is a rear elevational view;

FIG. 6 is a side elevational view when viewed from the right side; and,

FIG. 7 is a side elevational view when viewed from the left side.

**1 Claim, 2 Drawing Sheets**



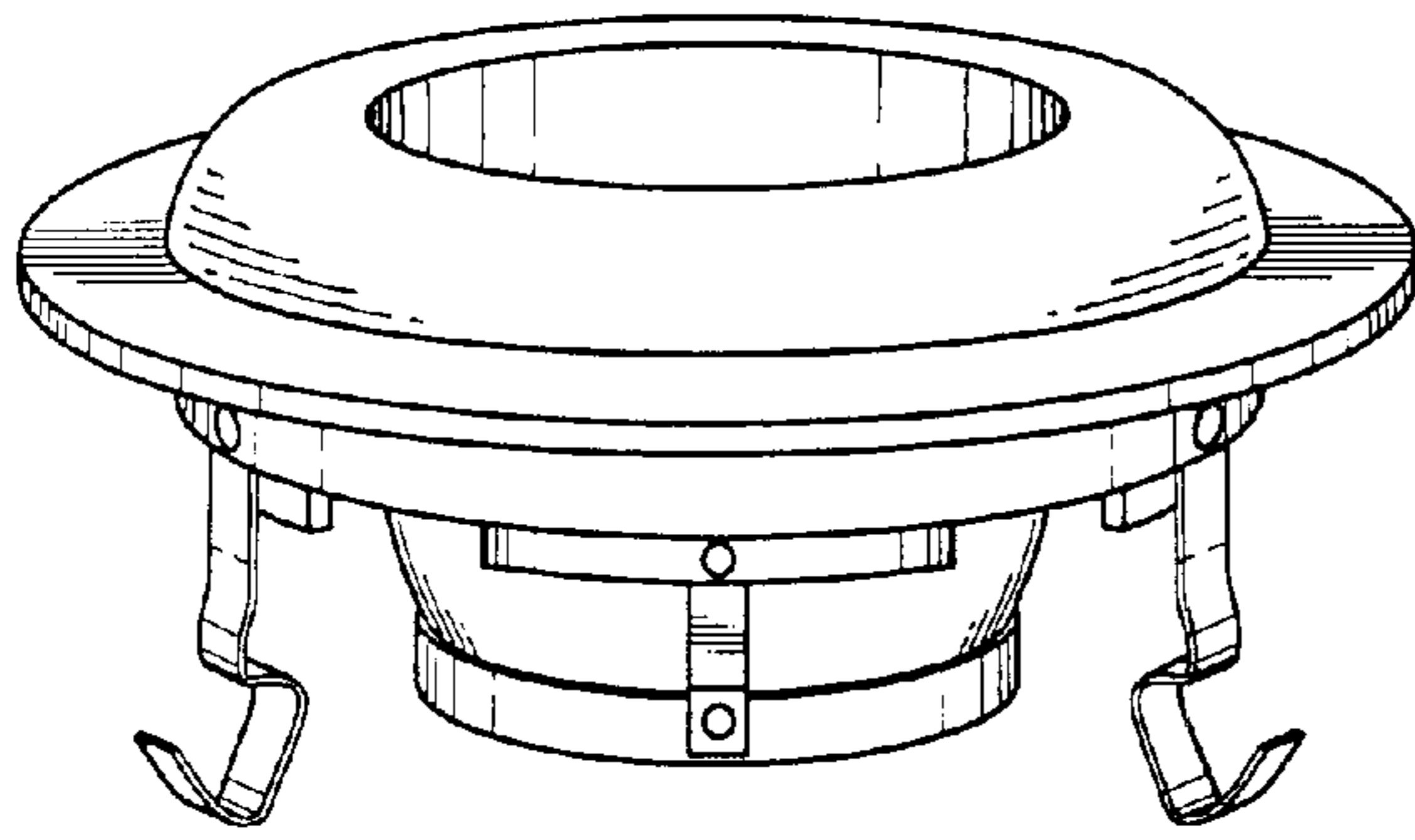


FIG.1

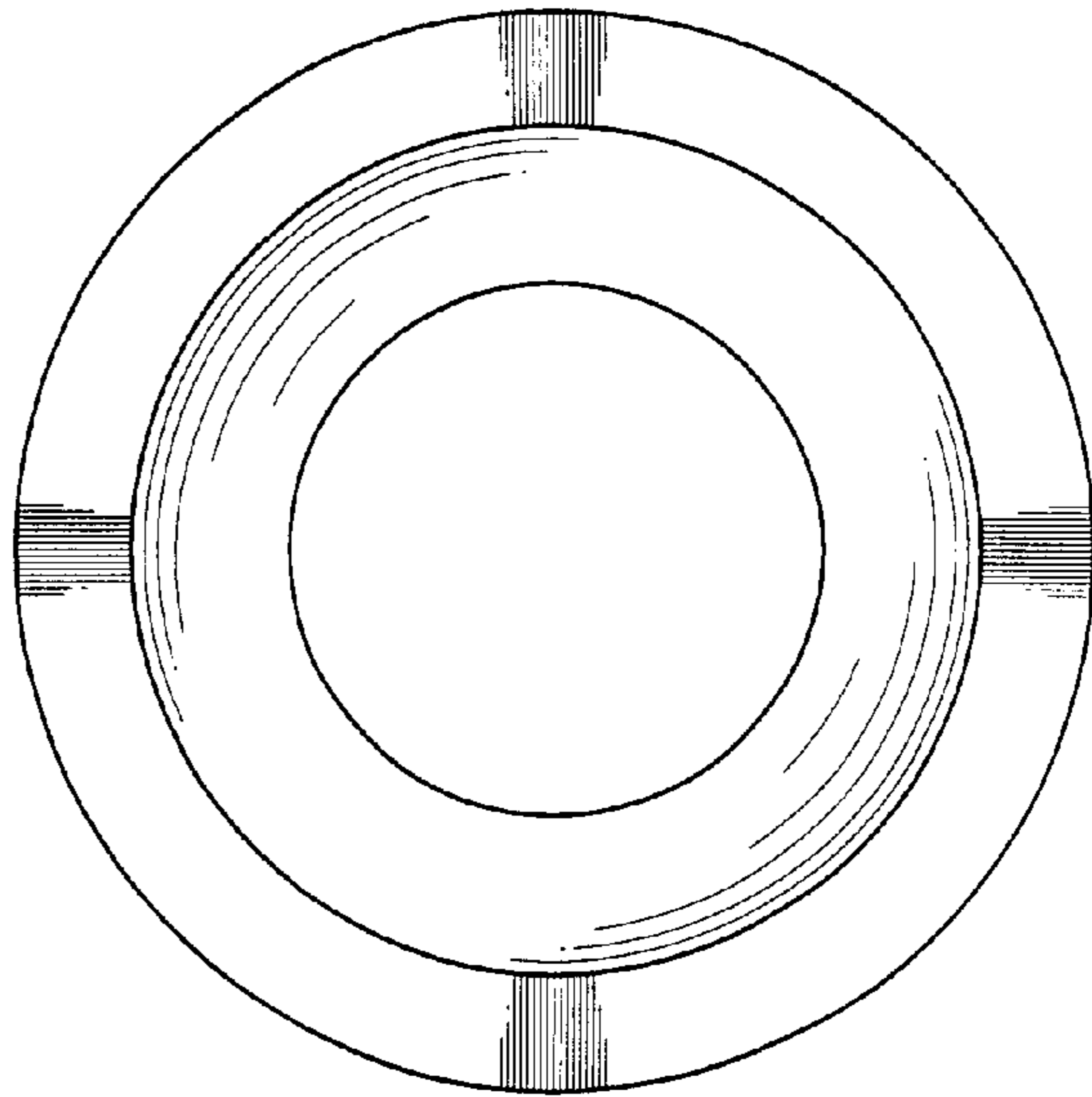


FIG.2

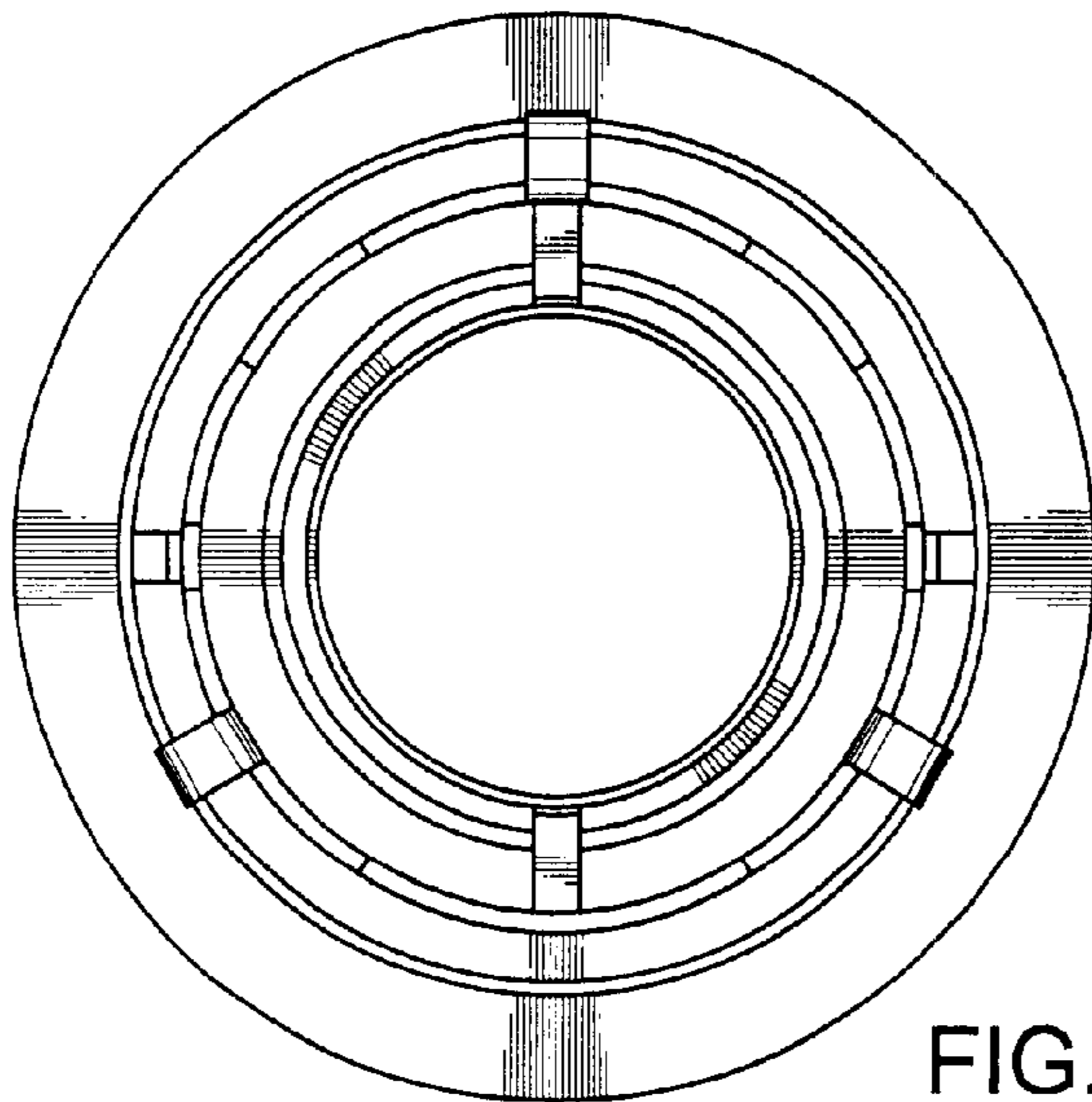


FIG.3

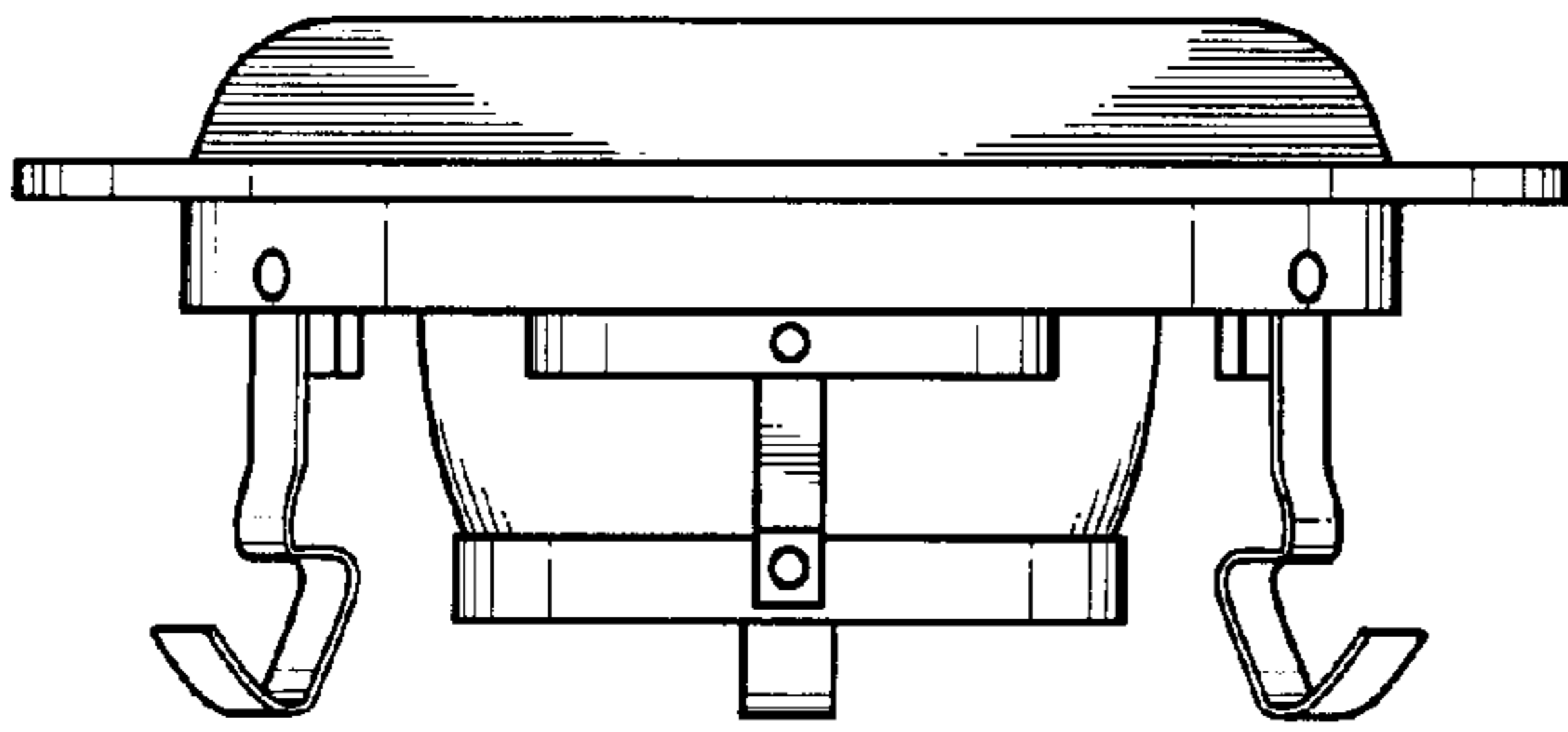


FIG.4

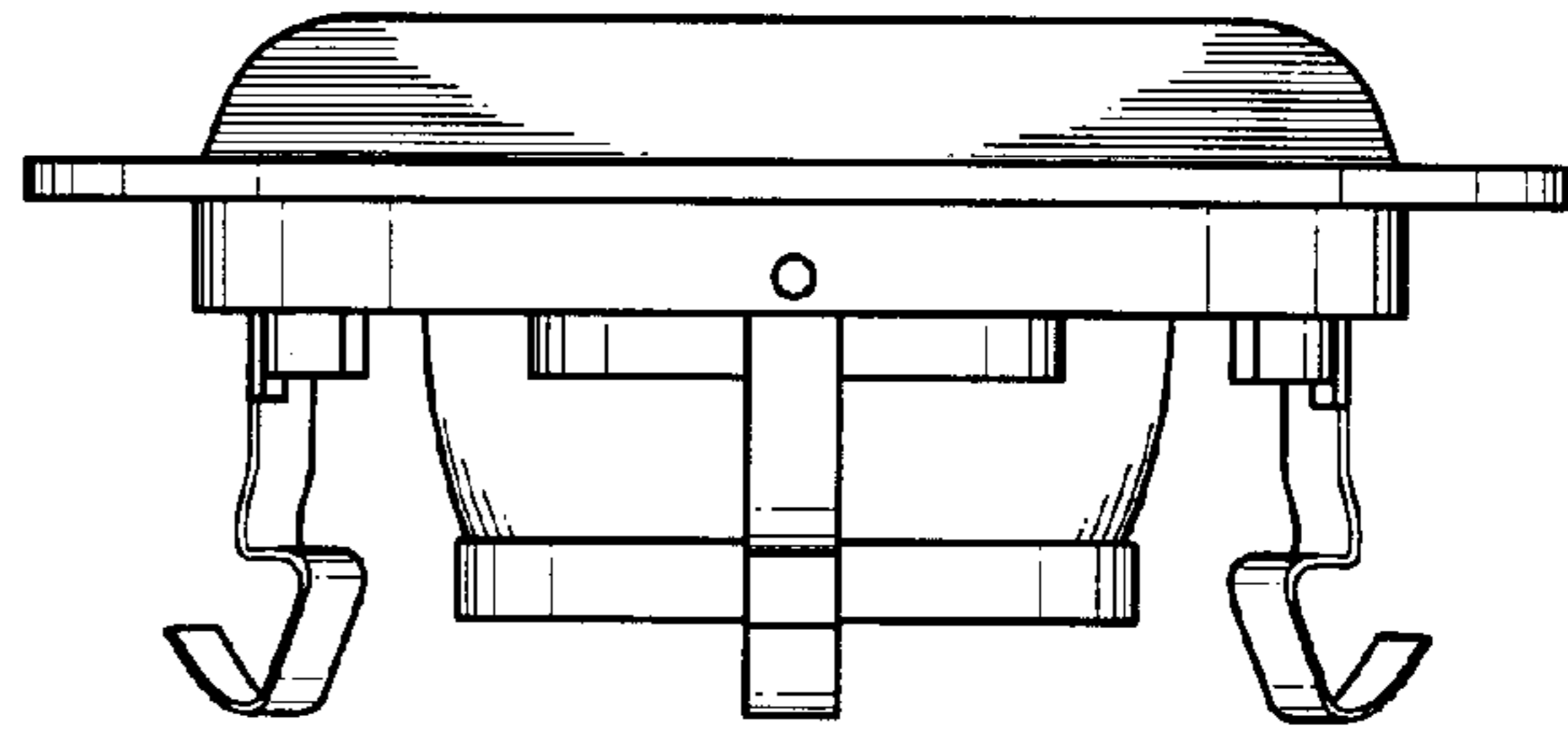


FIG.5

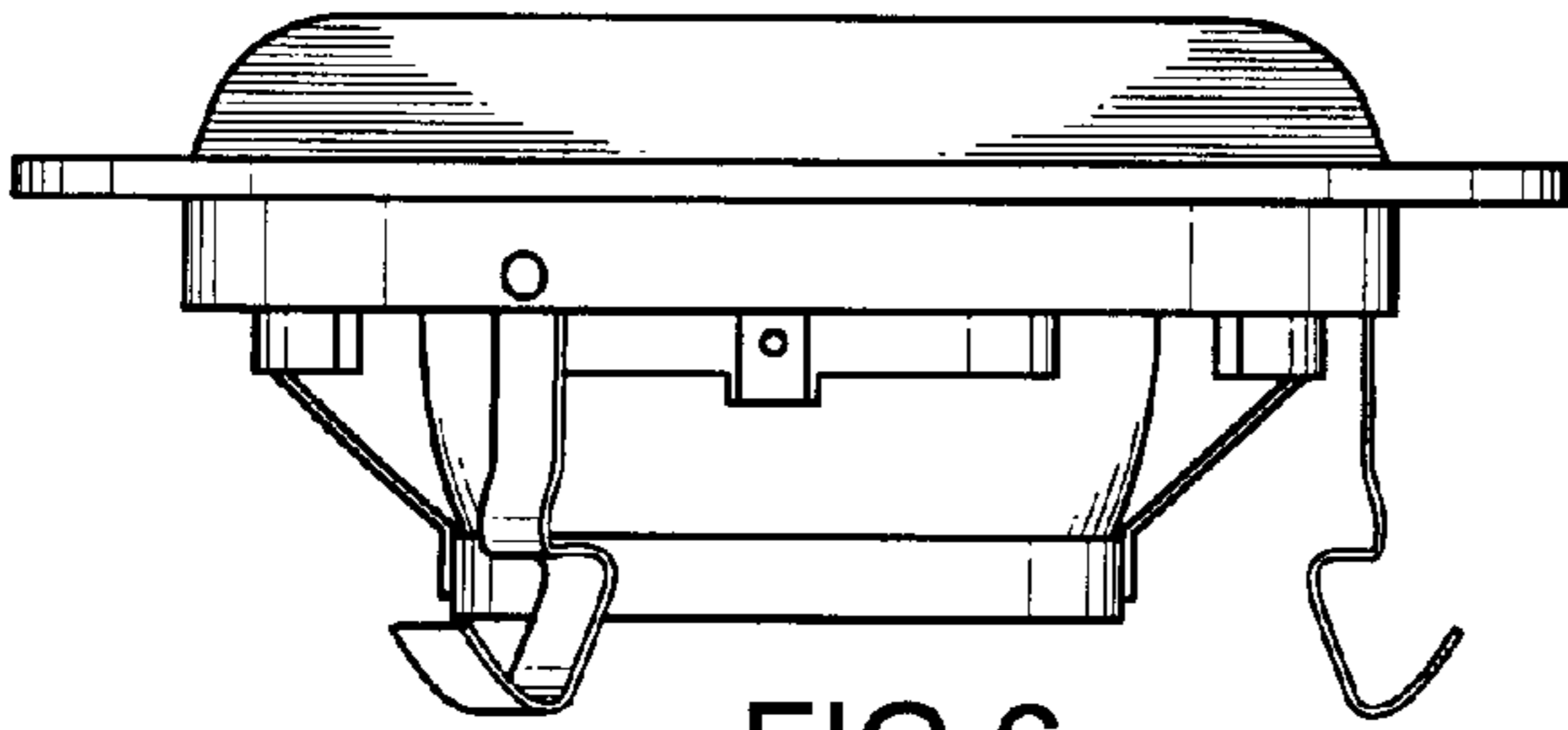


FIG.6

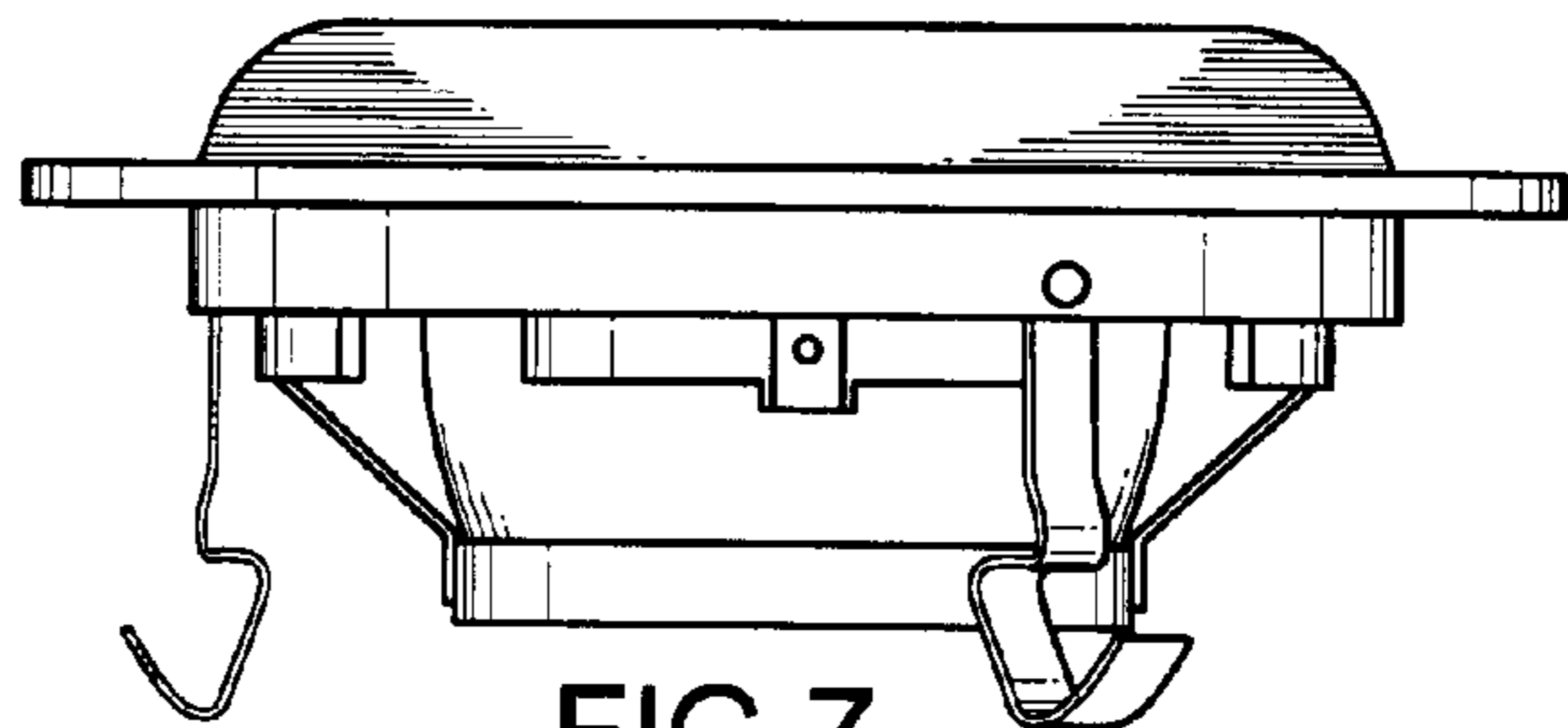


FIG.7