



US00D508749S

(12) **United States Design Patent**  
**Osiecki et al.**

(10) **Patent No.:** **US D508,749 S**

(45) **Date of Patent:** **\*\* Aug. 23, 2005**

(54) **LIGHTING DEVICE**

(75) Inventors: **Scott Osiecki**, Skaneateles, NY (US);  
**Robert Englert**, Syracuse, NY (US)

(73) Assignee: **Eveready Battery Company, Inc.**, St. Louis, MO (US)

(\*\*) Term: **14 Years**

(21) Appl. No.: **29/212,820**

(22) Filed: **Sep. 8, 2004**

(51) **LOC (8) Cl.** ..... **26-02**

(52) **U.S. Cl.** ..... **D26/46**

(58) **Field of Search** ..... D26/37-50; 362/157,  
362/158, 171-174, 183-208

(56) **References Cited**

**U.S. PATENT DOCUMENTS**

D444,897 S	*	7/2001	Yuen	.....	D26/46
D446,872 S	*	8/2001	Crescenzi et al.	.....	D26/46
D491,304 S	*	6/2004	Krieger et al.	.....	D26/46

\* cited by examiner

*Primary Examiner*—Marcus A. Jackson

(74) *Attorney, Agent, or Firm*—Stewart A. Fraser

(57) **CLAIM**

We claim the ornamental design for a lighting device, as shown and described.

**DESCRIPTION**

FIG. 1 is a left front view of the lighting device of the present invention;

FIG. 2 is a right rear view of the lighting device of the present invention;

FIG. 3 is a top view of the lighting device of the present invention;

FIG. 4 is a bottom view of the lighting device of the present invention;

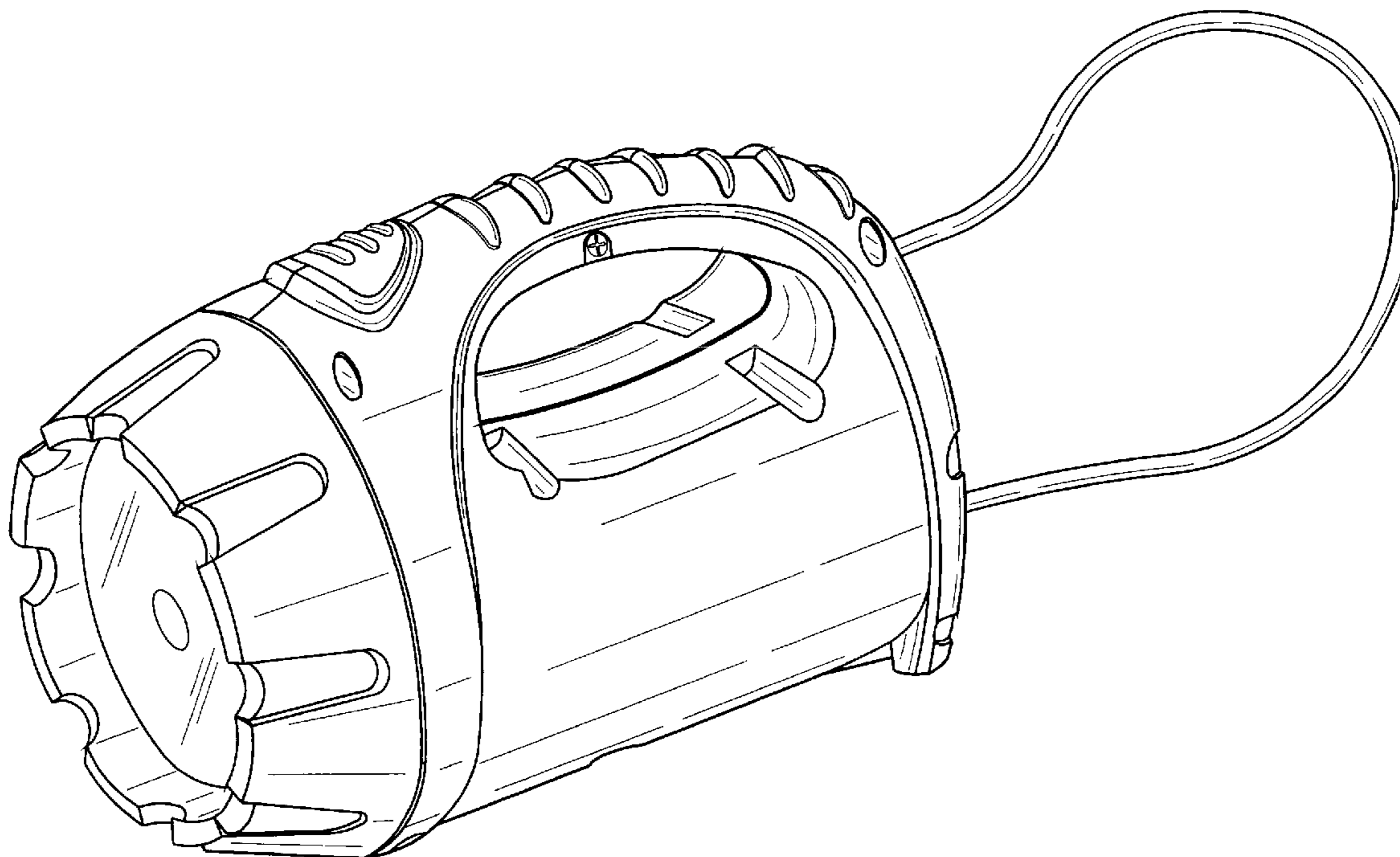
FIG. 5 is a view of the right side of the lighting device of the present invention;

FIG. 6 is a view of the left side of the lighting device of the present invention;

FIG. 7 is a front view of the lighting device of the present invention; and,

FIG. 8 is a rear view of the lighting device of the present invention.

**1 Claim, 8 Drawing Sheets**



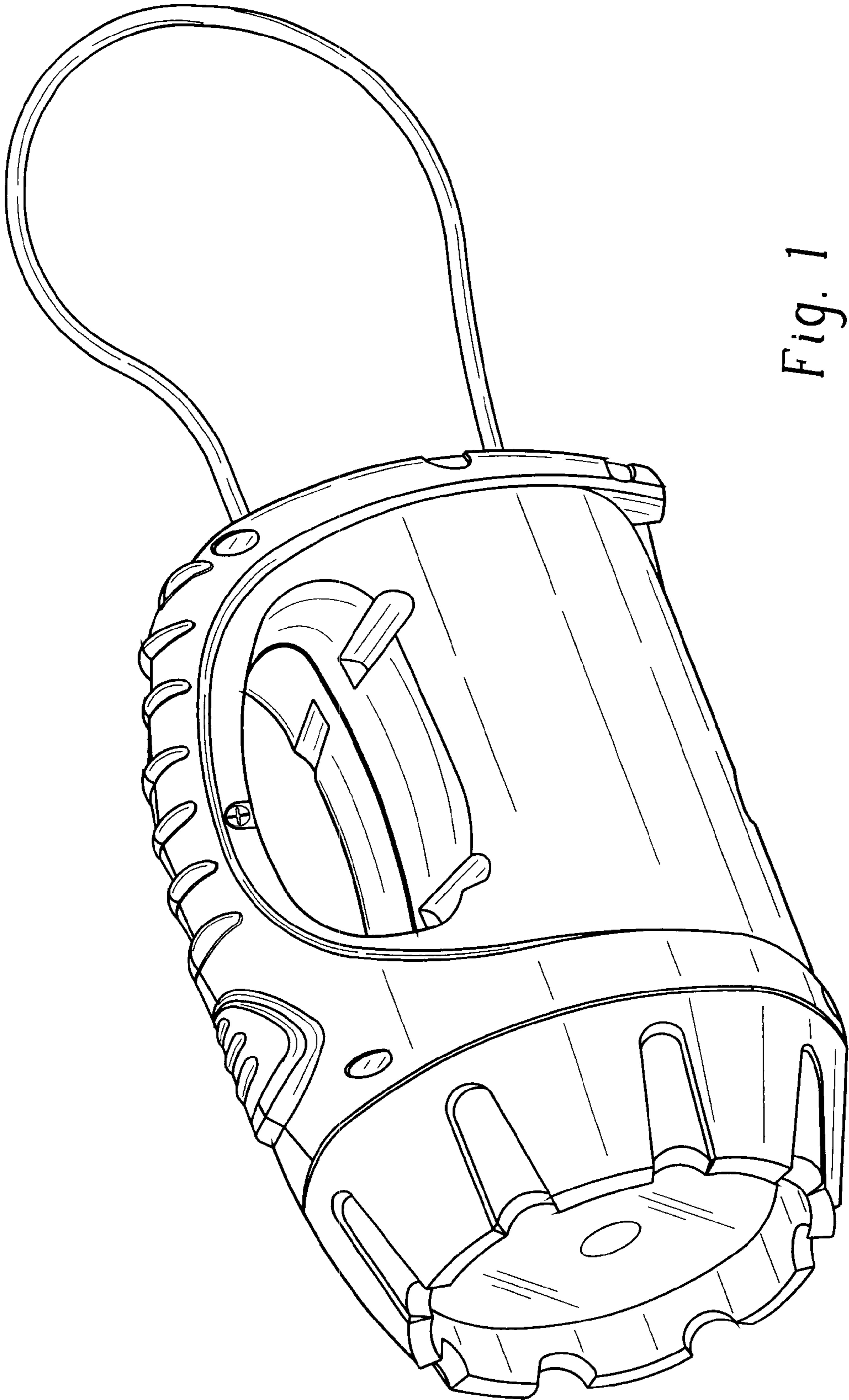


Fig. 1

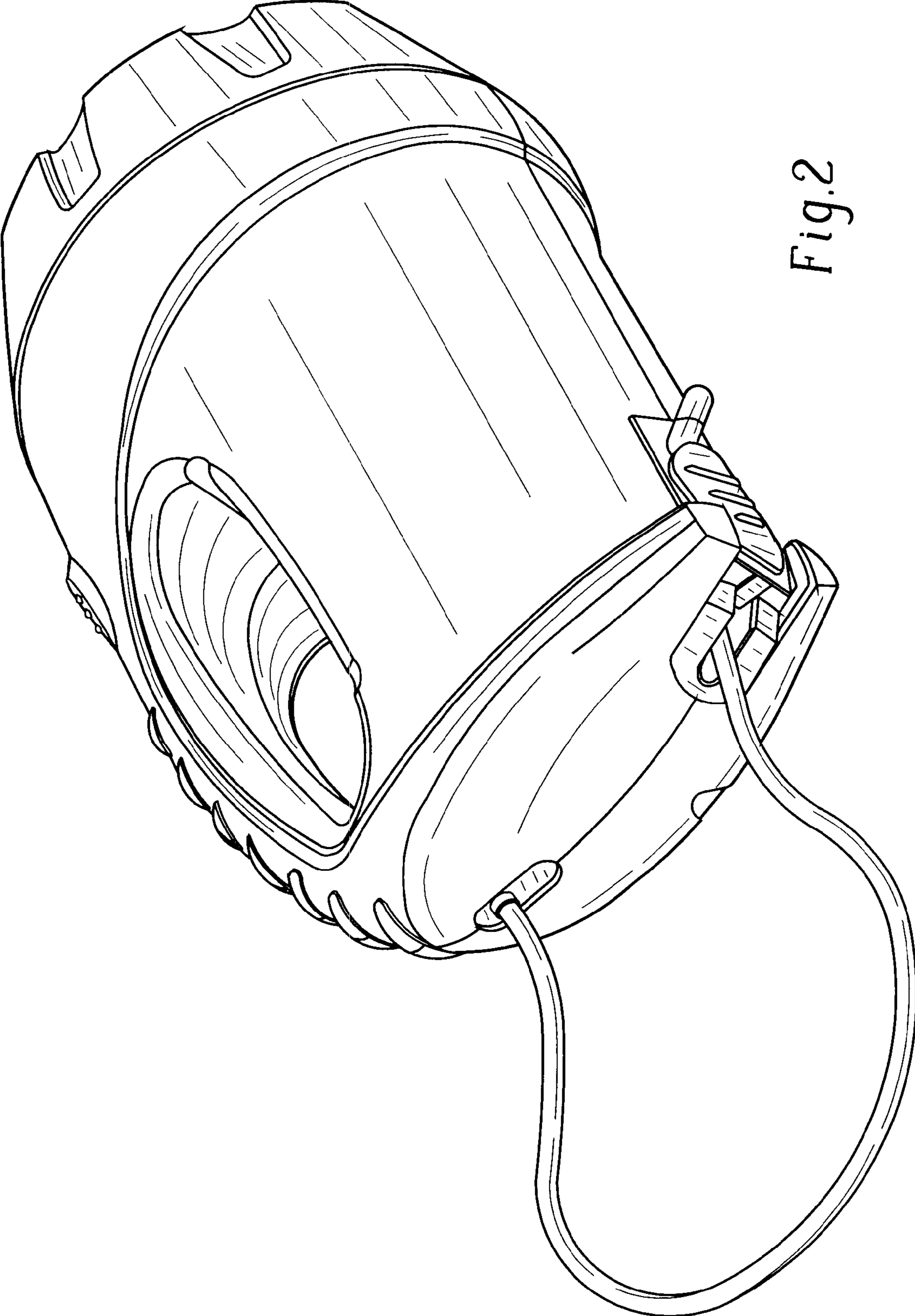


Fig. 2

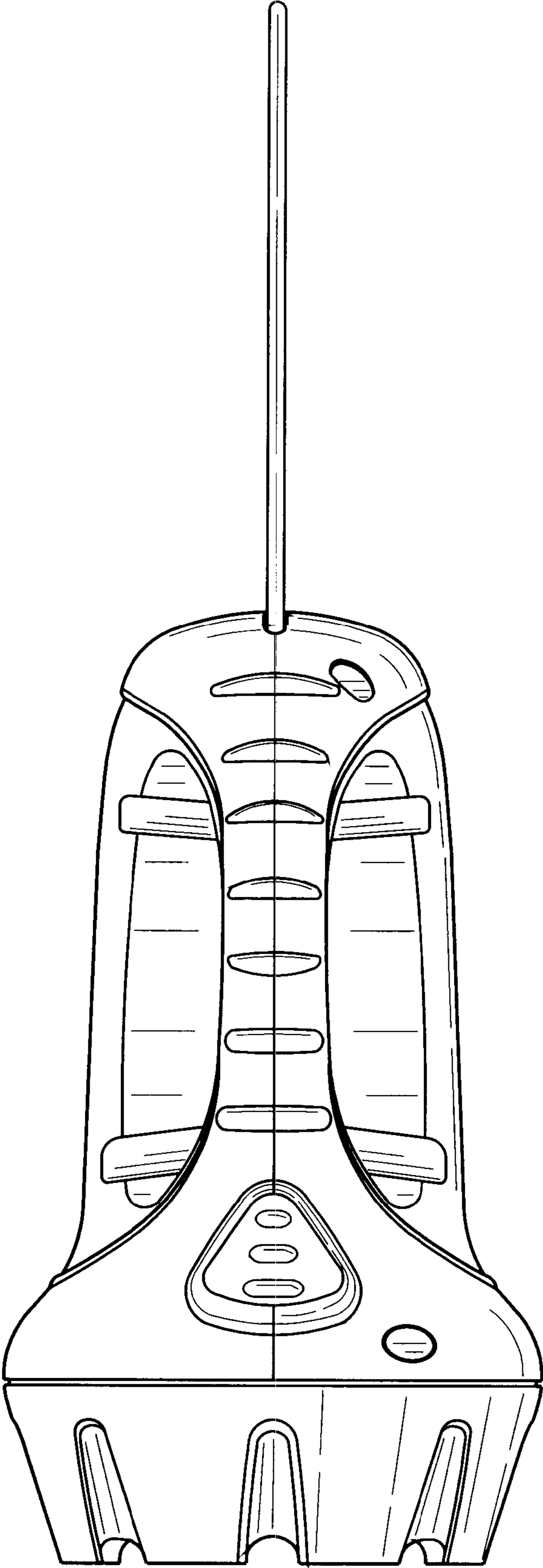


Fig. 3

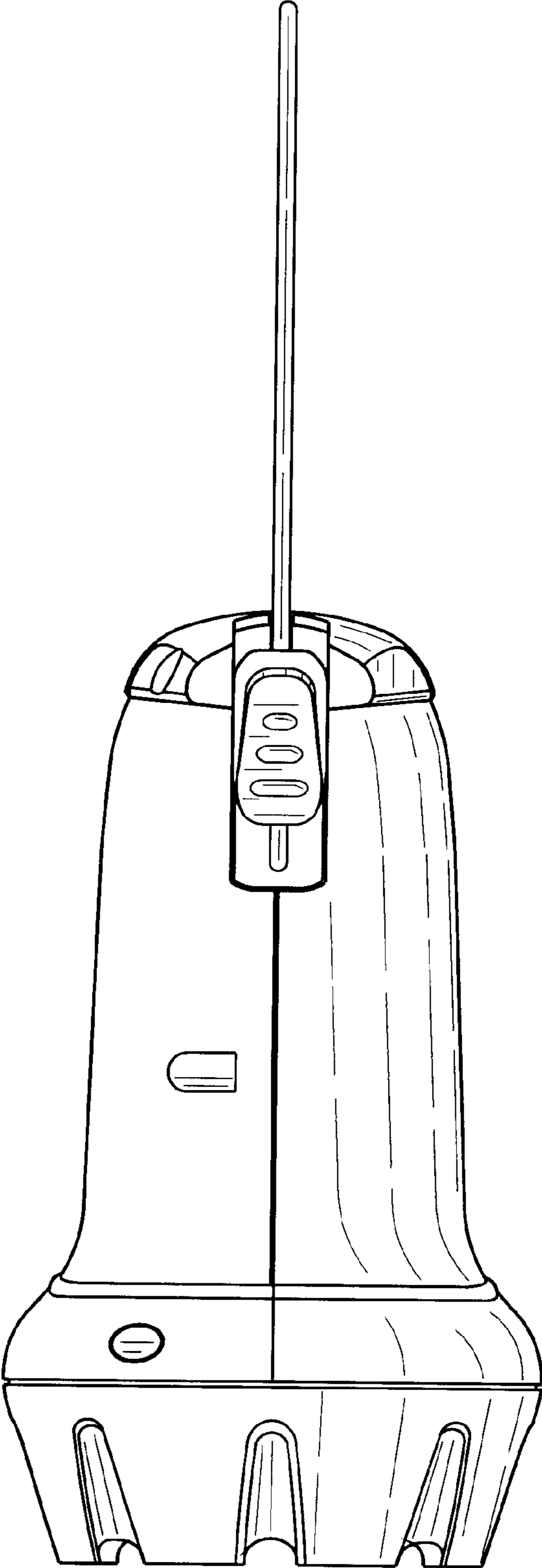


Fig. 4

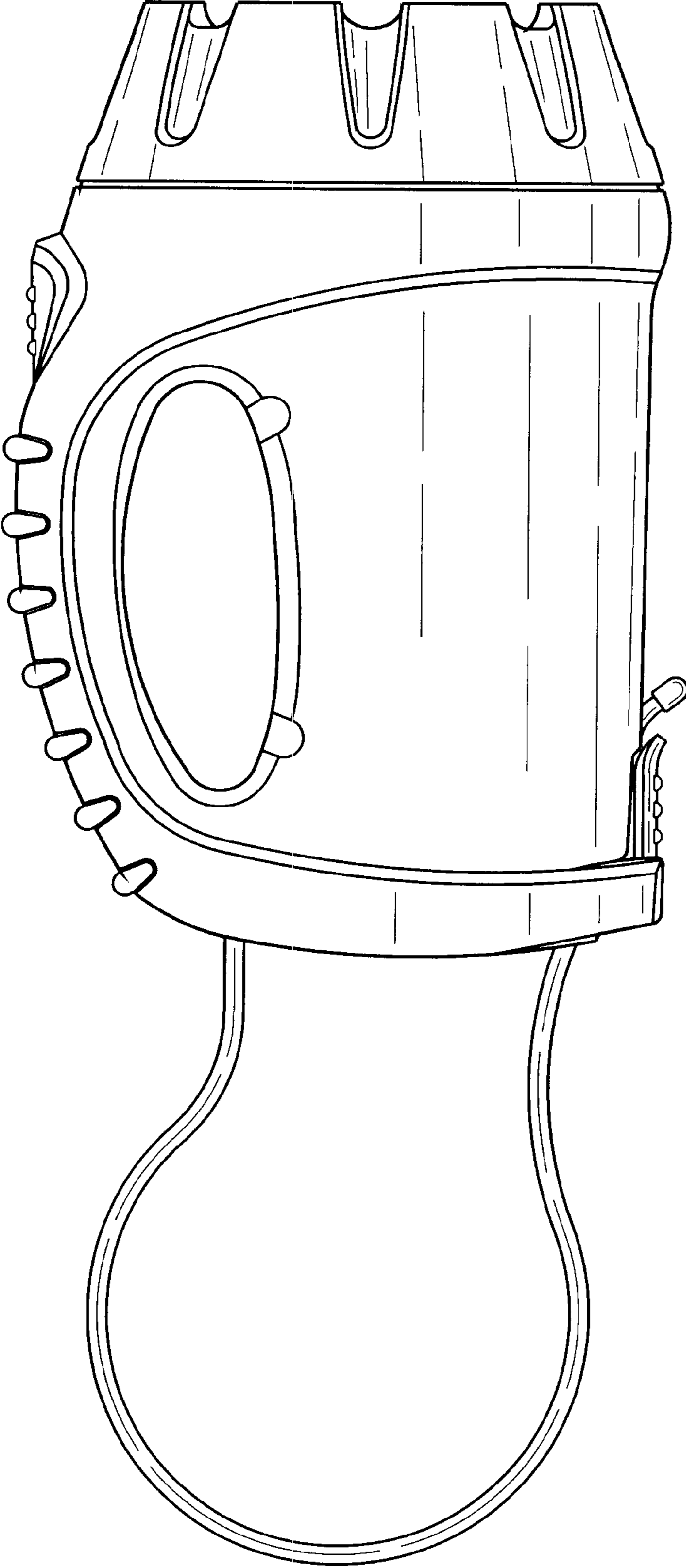


Fig. 5

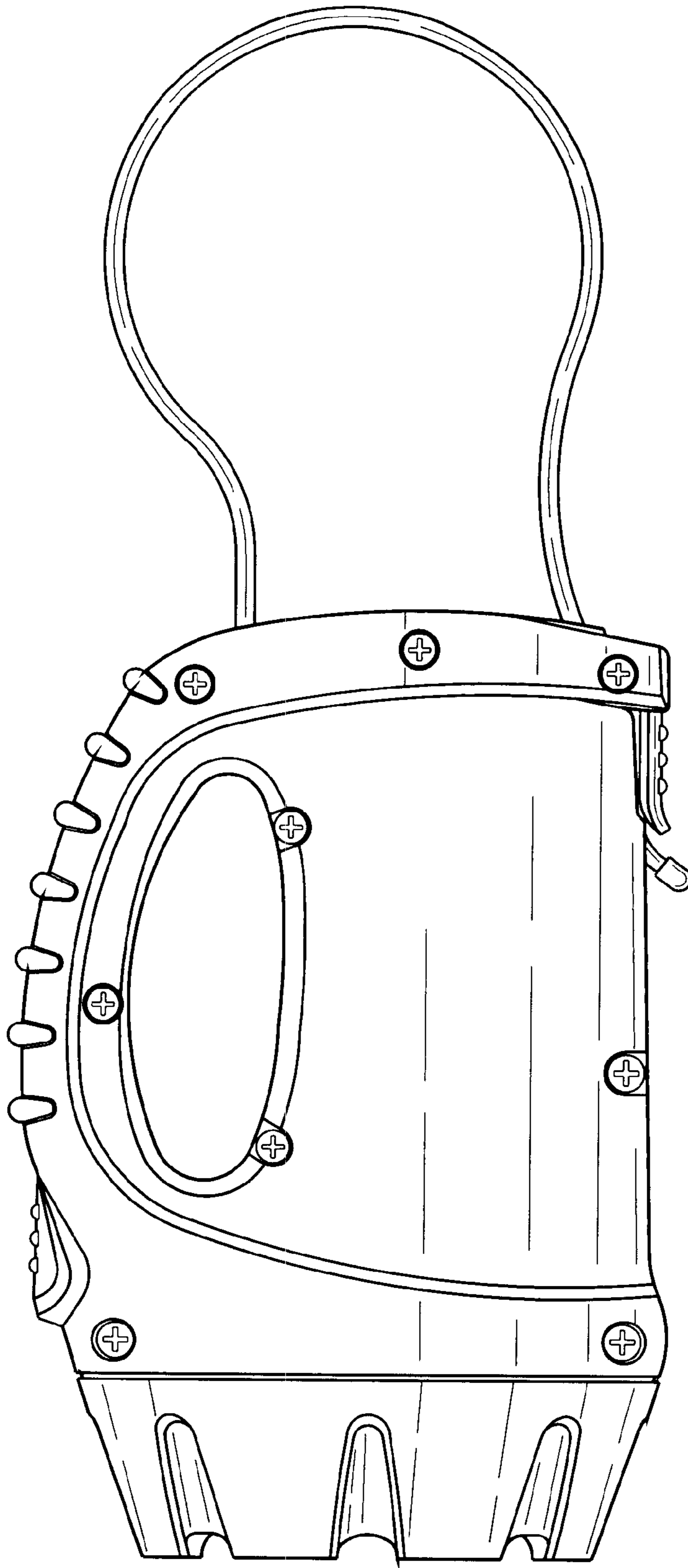
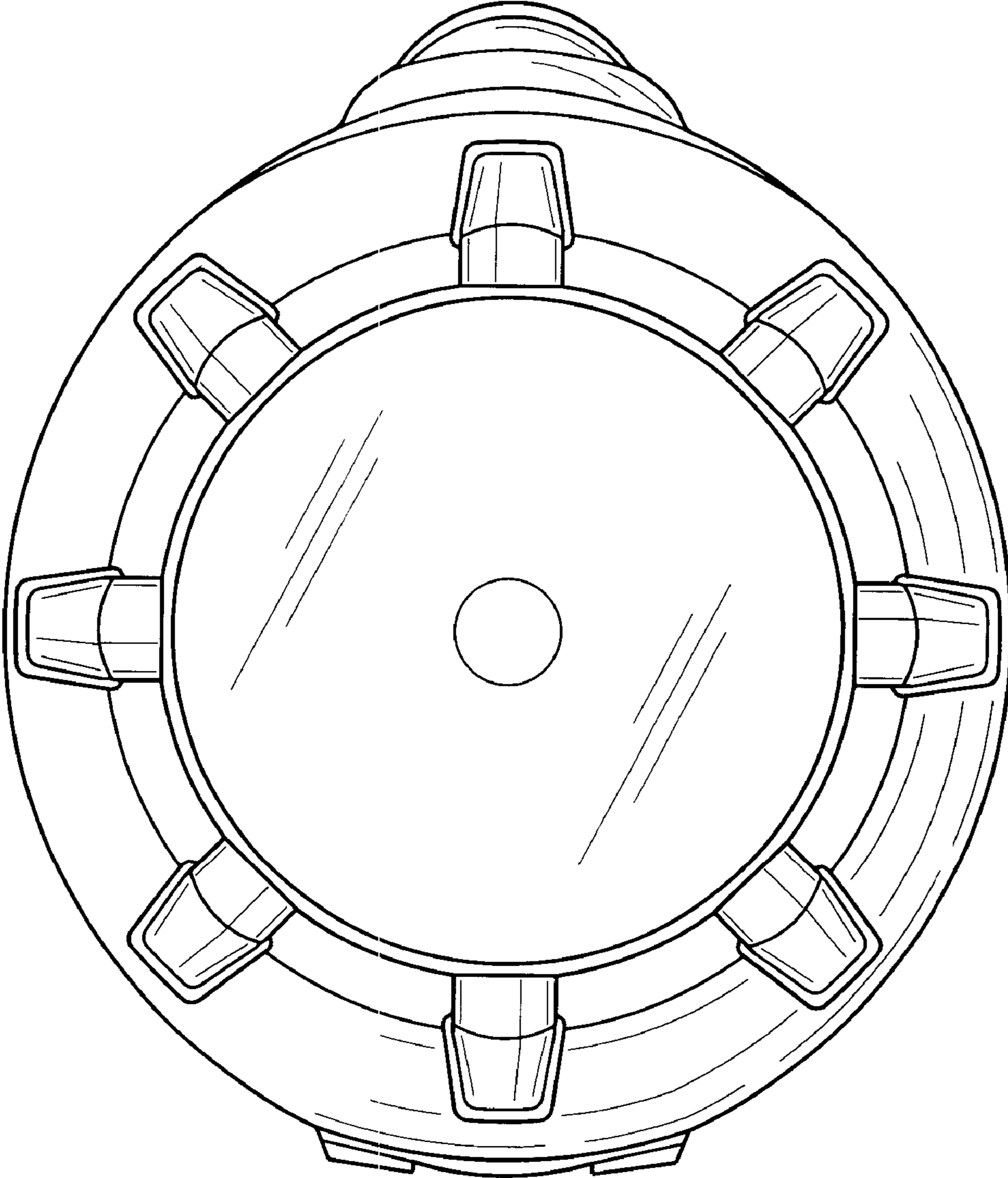
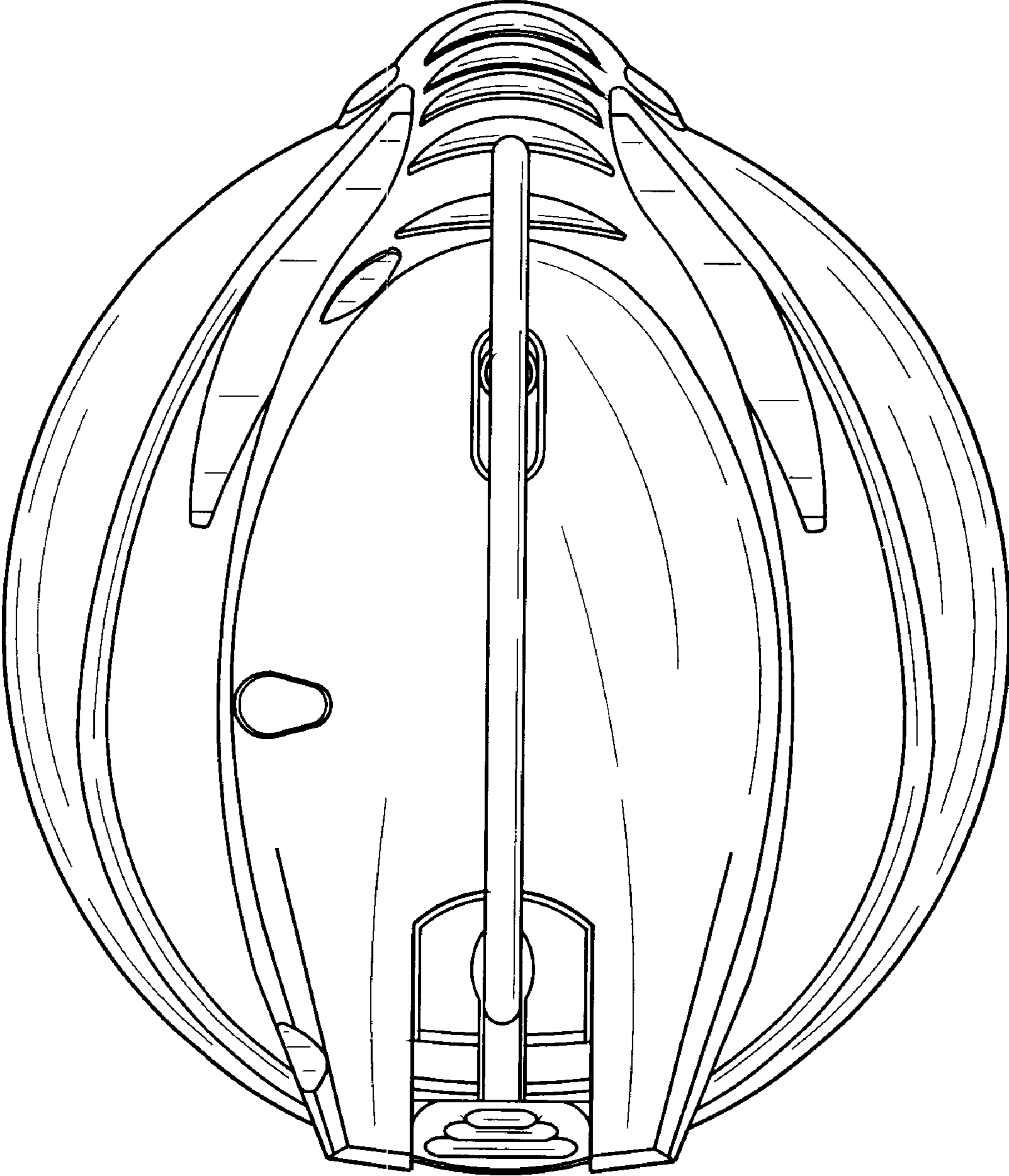


Fig. 6



*Fig. 7*





*Fig. 8*