

US00D508748S

(12) **United States Design Patent**
Man

(10) **Patent No.:** **US D508,748 S**

(45) **Date of Patent:** **** Aug. 23, 2005**

(54) **ELECTRIC TORCH**

(75) **Inventor:** **Wai Chi Man**, Hong Kong (CN)

(73) **Assignee:** **Stax Limited**, Hong Kong (CN)

(**) **Term:** **14 Years**

(21) **Appl. No.:** **29/219,534**

(22) **Filed:** **Dec. 20, 2004**

(51) **LOC (8) Cl.** **26-02**

(52) **U.S. Cl.** **D26/37**

(58) **Field of Search** D26/37-50; 362/157,
362/158, 171-174, 183-208

(56) **References Cited**

U.S. PATENT DOCUMENTS

- D485,629 S * 1/2004 Chan D26/37
- D486,930 S * 2/2004 Stoddard et al. D26/37
- D497,214 S * 10/2004 Lo D26/37

D499,499 S * 12/2004 Cetera D26/37

* cited by examiner

Primary Examiner—Marcus A. Jackson

(57) **CLAIM**

The ornamental design for an electric torch, as shown.

DESCRIPTION

The claimed electric torch is used for supplying illumination.

FIG. 1 is a front elevational view of an electric torch showing my new design;

FIG. 2 is a rear elevational view thereof;

FIG. 3 is a left side view thereof;

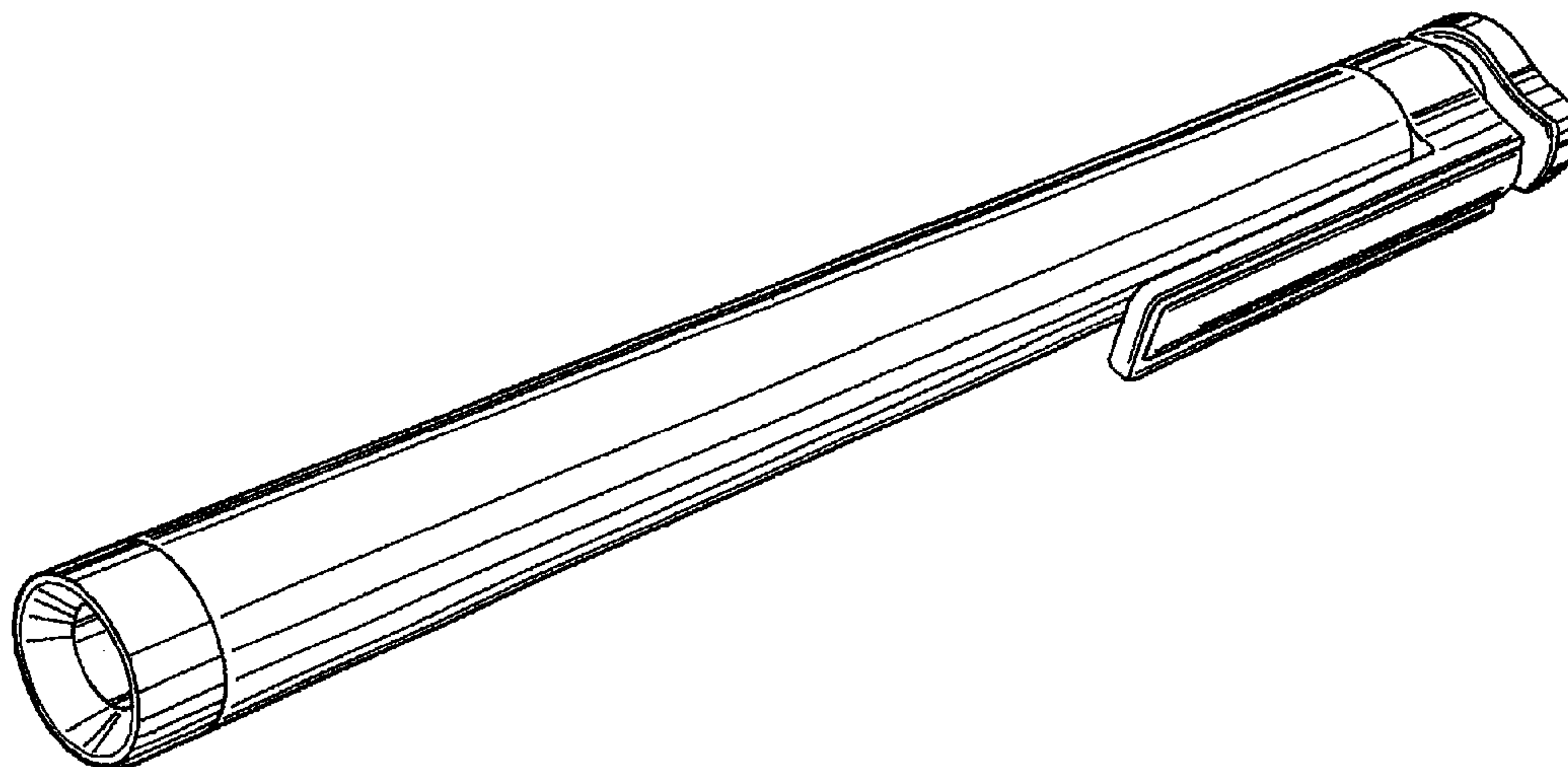
FIG. 4 is a right side view thereof;

FIG. 5 is a top plan view thereof;

FIG. 6 is a bottom plan view thereof; and,

FIG. 7 is a perspective view thereof.

1 Claim, 4 Drawing Sheets



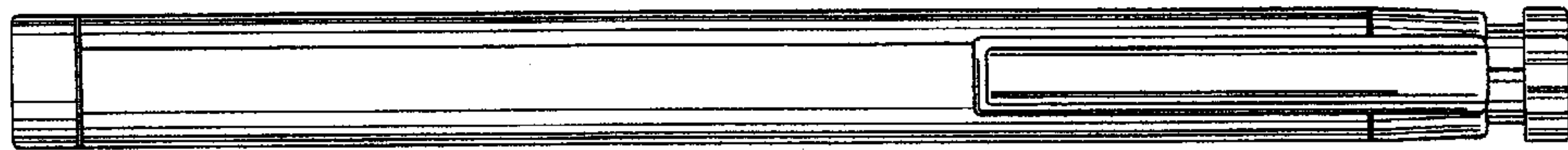


FIG. 1

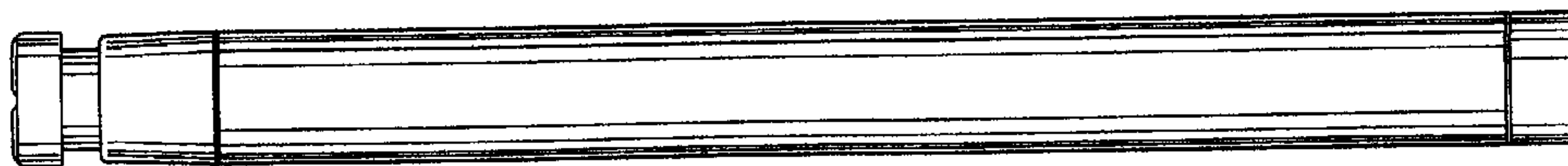


FIG. 2

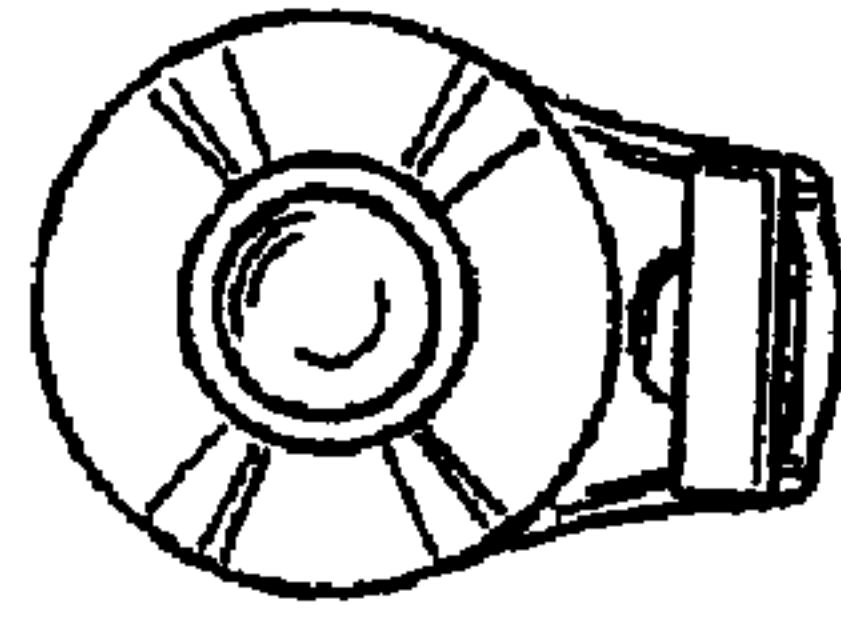


FIG. 3

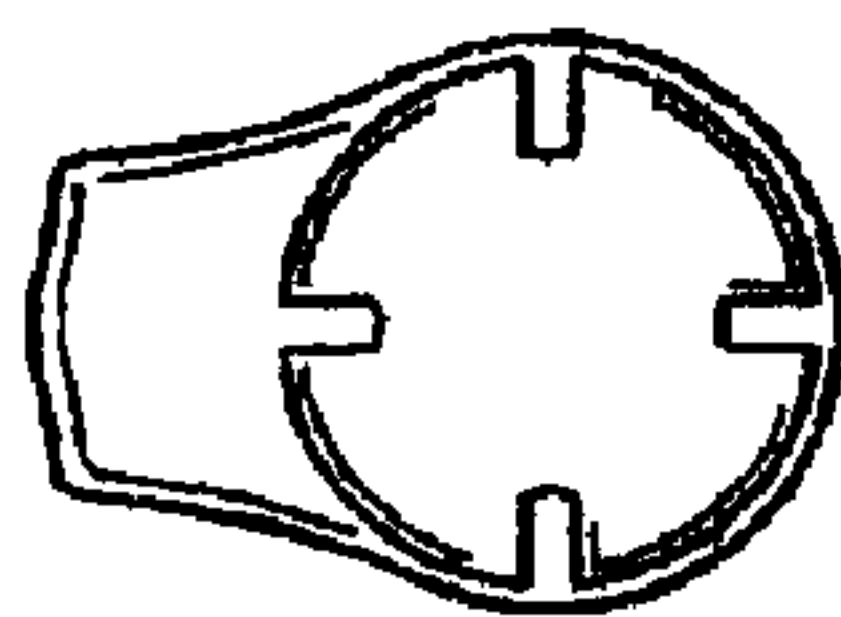


FIG. 4

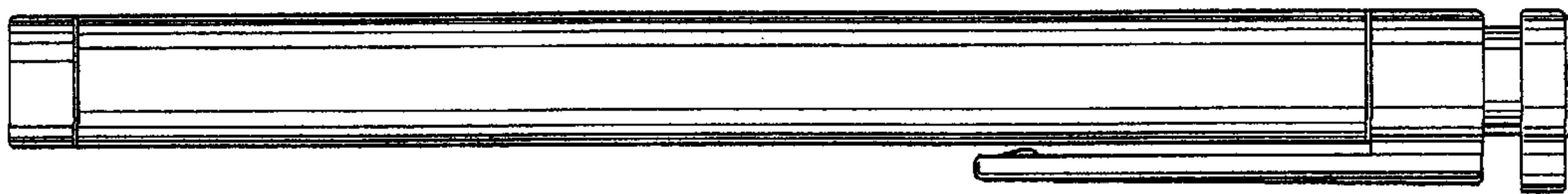


FIG. 5

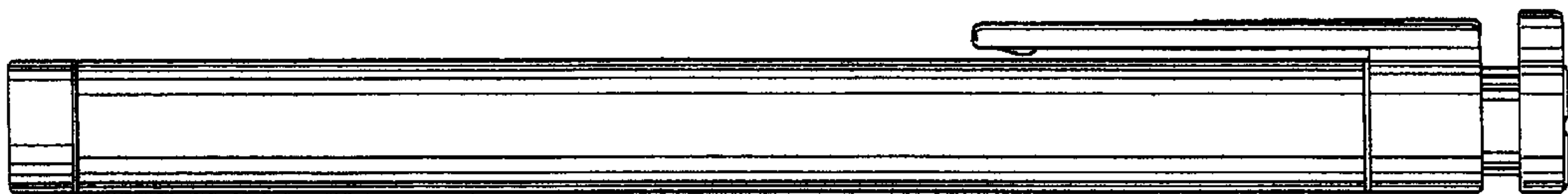


FIG. 6

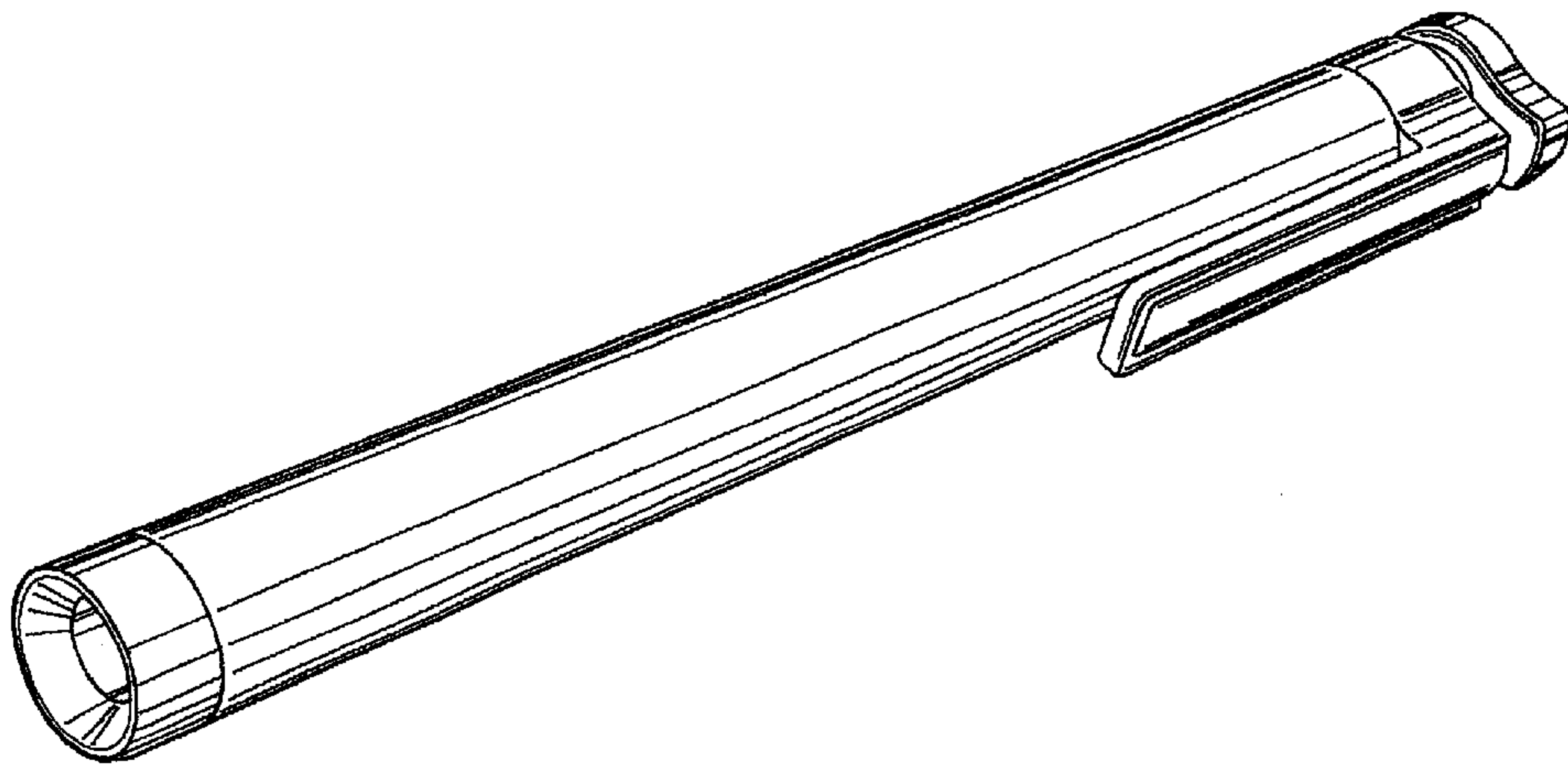


FIG. 7