

US00D508745S

(12) **United States Design Patent** (10) **Patent No.:** **US D508,745 S**
Pfeiffer et al. (45) **Date of Patent:** **** Aug. 23, 2005**

(54) **SURFACE CONFIGURATION OF A HEADLIGHT FOR A VEHICLE**

(75) Inventors: **Peter Pfeiffer**, Boeblingen (DE);
Stephen Mattin, Sindelfingen (DE)

(73) Assignee: **DaimlerChrysler AG**, Stuttgart (DE)

(**) Term: **14 Years**

(21) Appl. No.: **29/186,973**

(22) Filed: **Jul. 25, 2003**

(51) **LOC (8) Cl.** **26-06**

(52) **U.S. Cl.** **D26/28**

(58) **Field of Search** D26/28-36; 362/61,
362/80, 81, 82, 83, 83.4, 267, 269, 275,
330-340

(56) **References Cited**

U.S. PATENT DOCUMENTS

D472,656 S	*	4/2003	Pfeiffer et al.	D26/28
D479,755 S	*	9/2003	Yanada	D26/28
D483,134 S	*	12/2003	Shih	D26/28
D484,261 S	*	12/2003	Liao	D26/28

* cited by examiner

Primary Examiner—Marcus A. Jackson

(74) *Attorney, Agent, or Firm*—Crowell & Moring LLP

(57) **CLAIM**

The ornamental design for a surface configuration of a headlight for a vehicle, as shown and described.

DESCRIPTION

This application is related to the following co-pending application, of the inventors, filed on even date herewith: Application Ser. No. 29/186,972, entitled "Surface Configuration of a Vehicle, Toy and/or Other Replicas".

FIG. 1 is a perspective view of a first embodiment of a surface configuration of a headlight for a vehicle according to our novel design;

FIG. 2 is a front view of the first embodiment of the surface configuration of a headlight for a vehicle according to our novel design;

FIG. 3 is a perspective view of a second embodiment of the surface configuration of a headlight for a vehicle according to our novel design;

FIG. 4 is a front view of the second embodiment of the surface configuration of a headlight for a vehicle according to our novel design;

FIG. 5 is side view of the first embodiment of the surface configuration of a headlight for a vehicle according to our novel design;

FIG. 6 is a side view of the second embodiment of the surface configuration of a headlight for a vehicle according to our novel design;

FIG. 7 is a perspective view of a third embodiment of the surface configuration of a headlight for a vehicle according to our novel design;

FIG. 8 is a front view of the third embodiment of the surface configuration of a headlight for a vehicle according to our novel design;

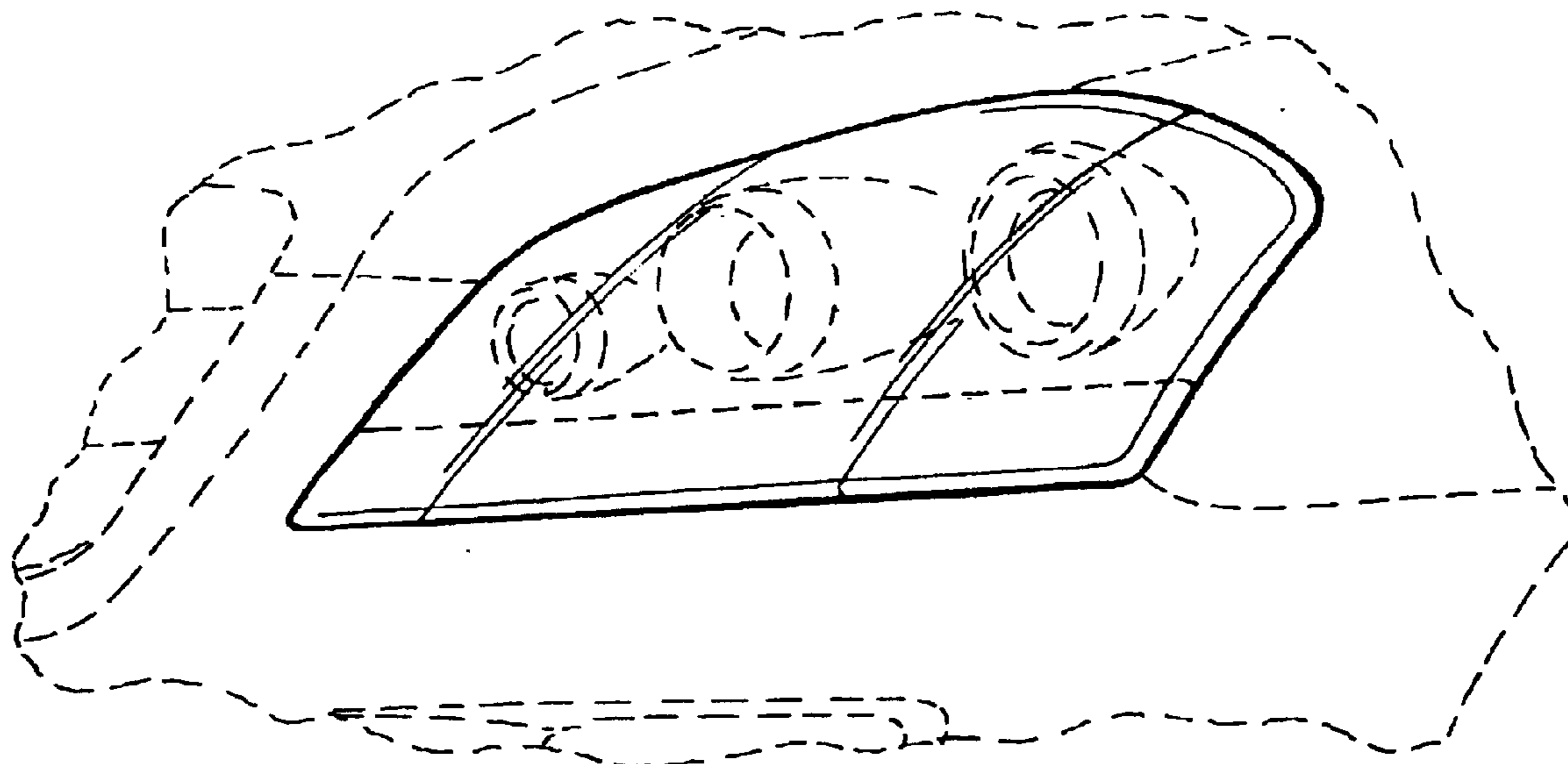
FIG. 9 is a perspective view of a fourth embodiment of the surface configuration of a headlight for a vehicle according to our novel design;

FIG. 10 is a front view of the fourth embodiment of the surface configuration of a headlight for a vehicle according to our novel design;

FIG. 11 is side view of the third embodiment of the surface configuration of a headlight for a vehicle according to our novel design; and,

FIG. 12 is a side view of the fourth embodiment of the surface configuration of a headlight for a vehicle according to our novel design.

1 Claim, 6 Drawing Sheets



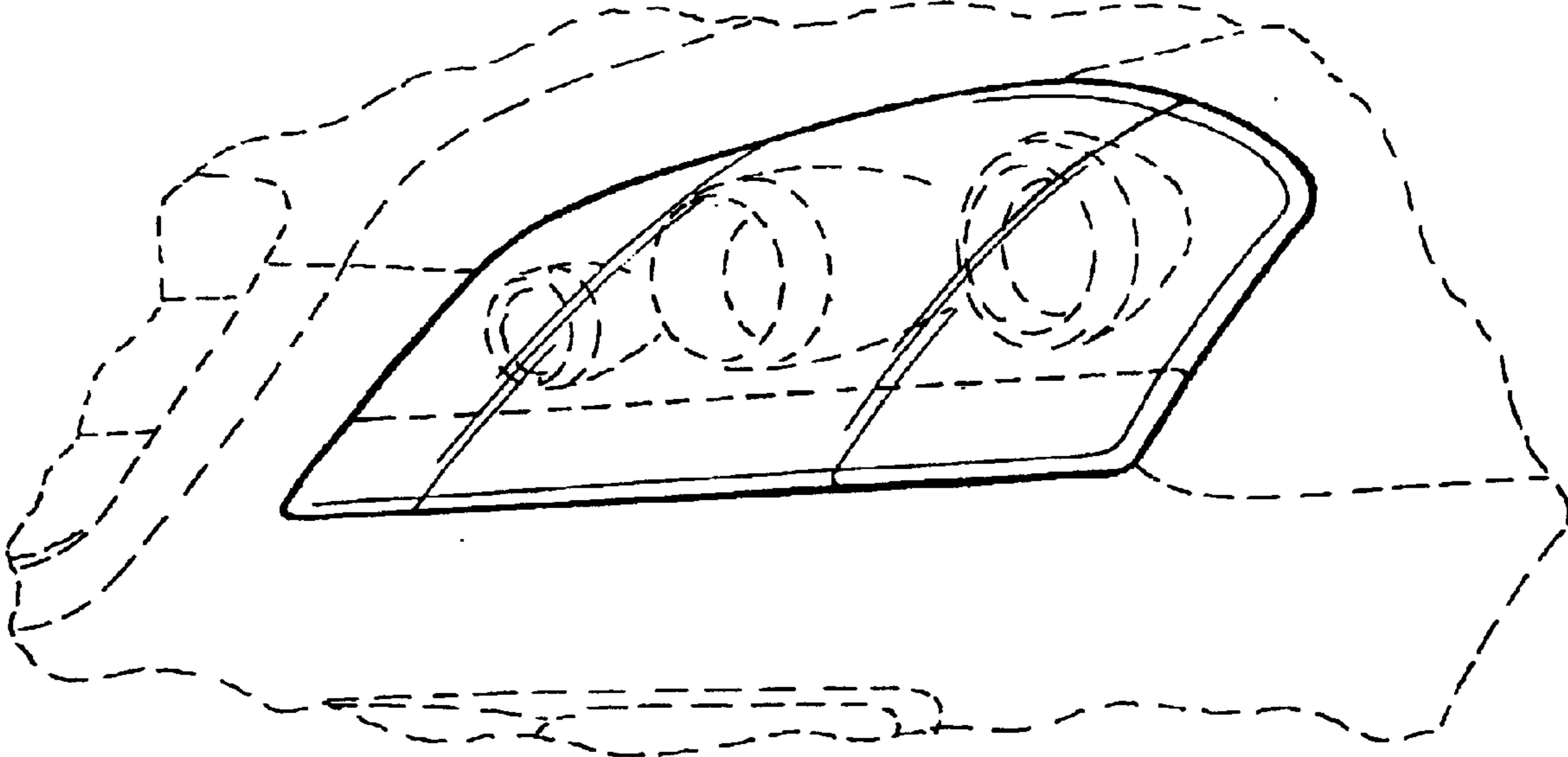


FIG. 1

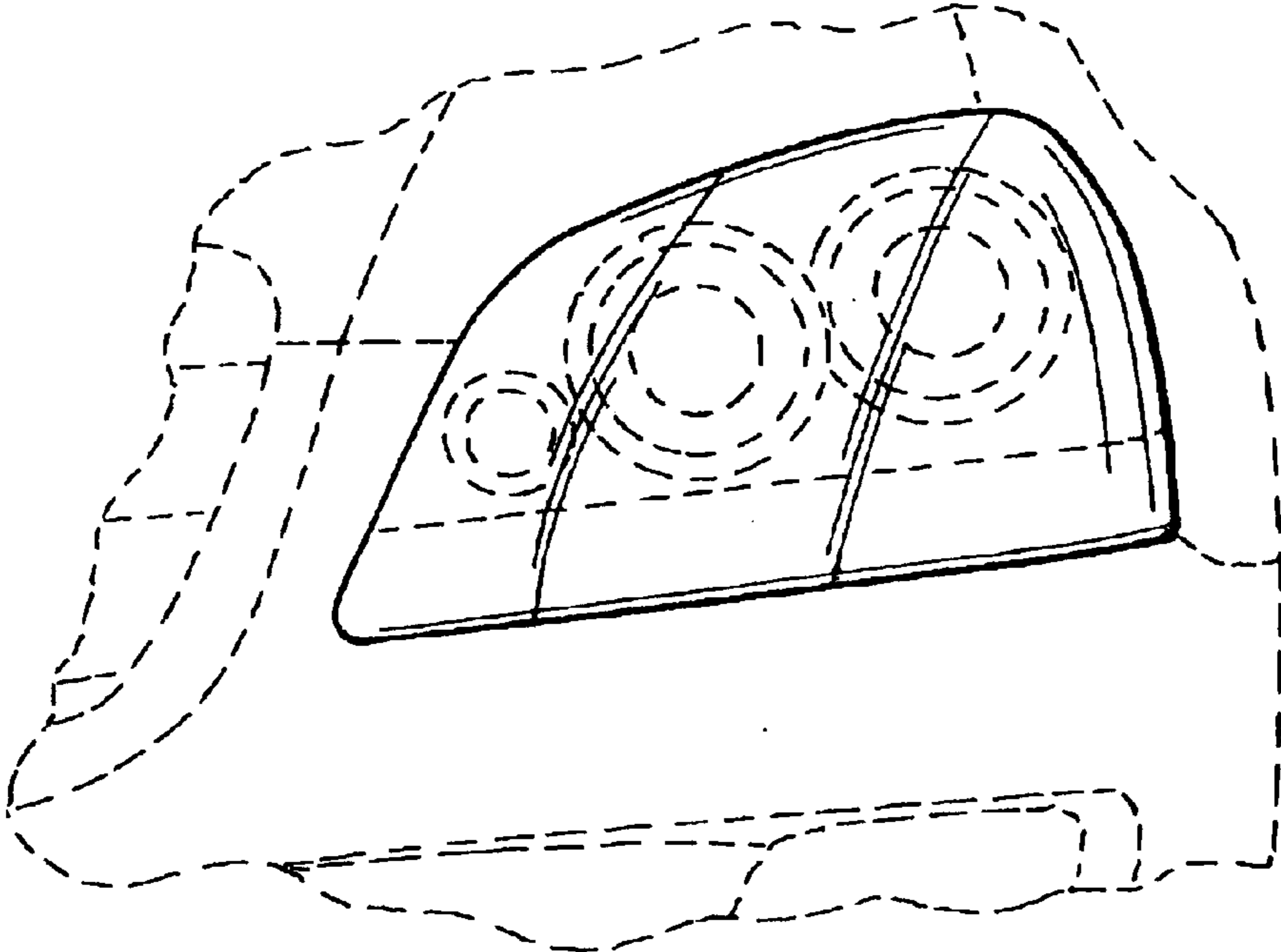


FIG. 2

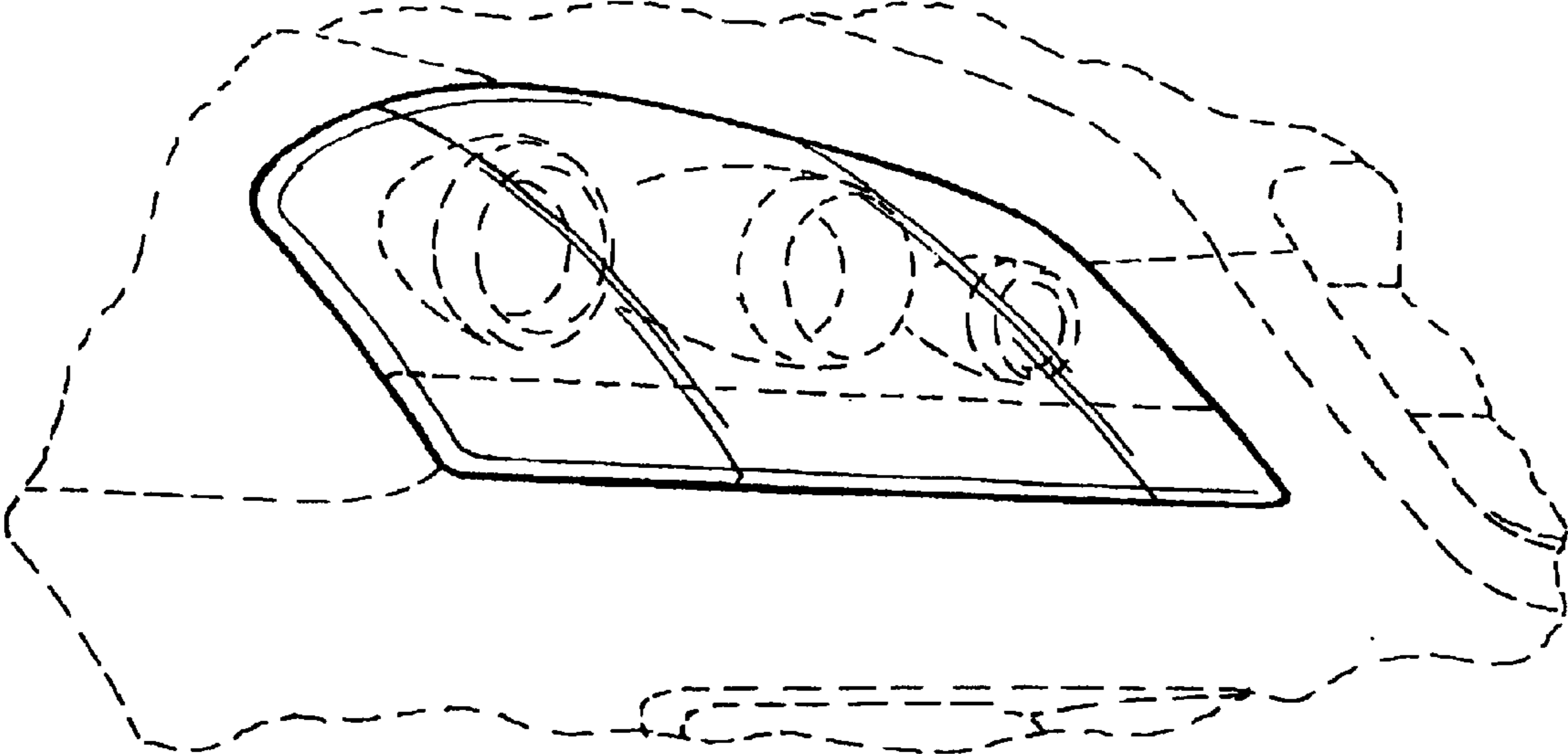


FIG. 3

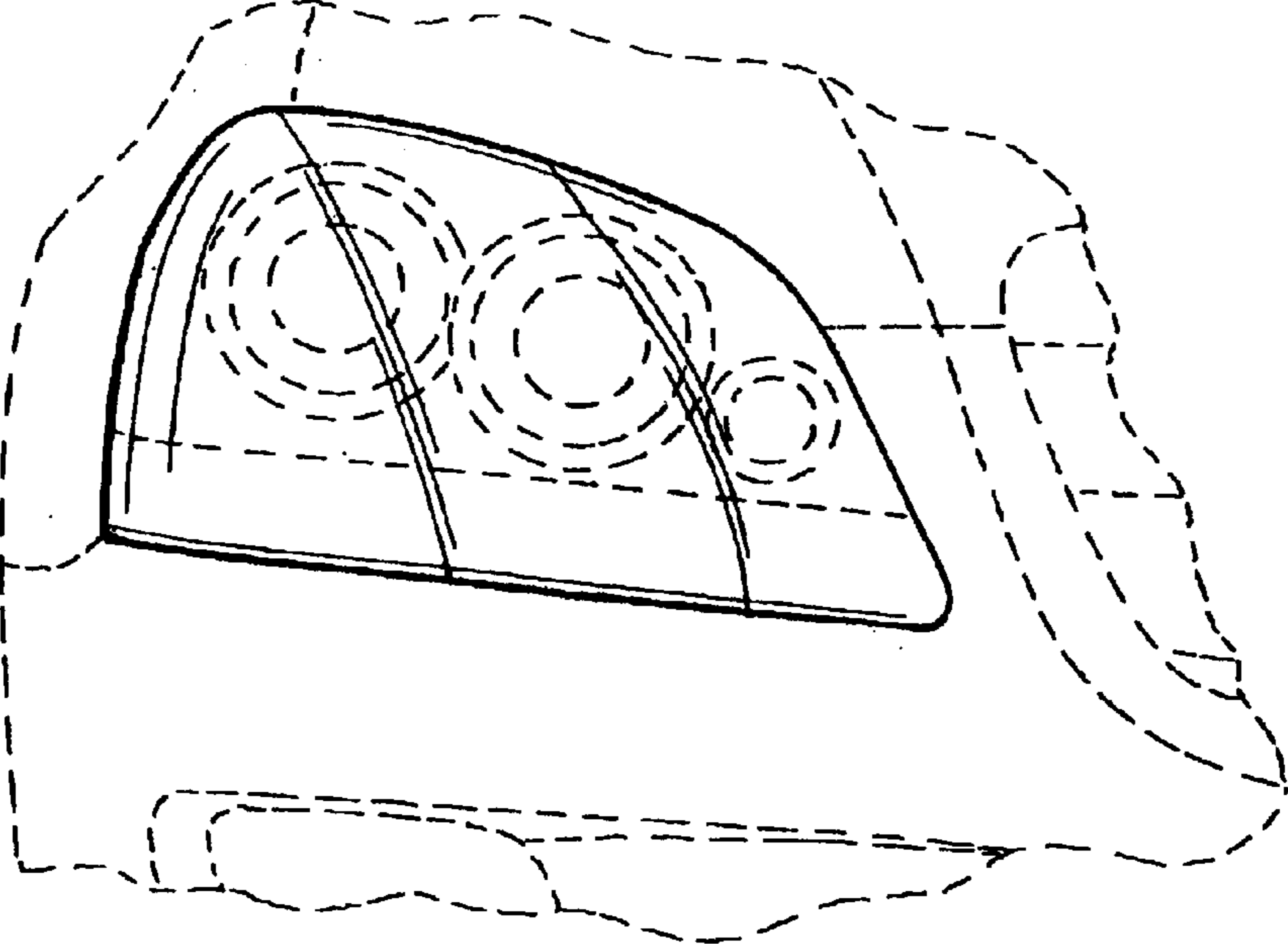


FIG. 4

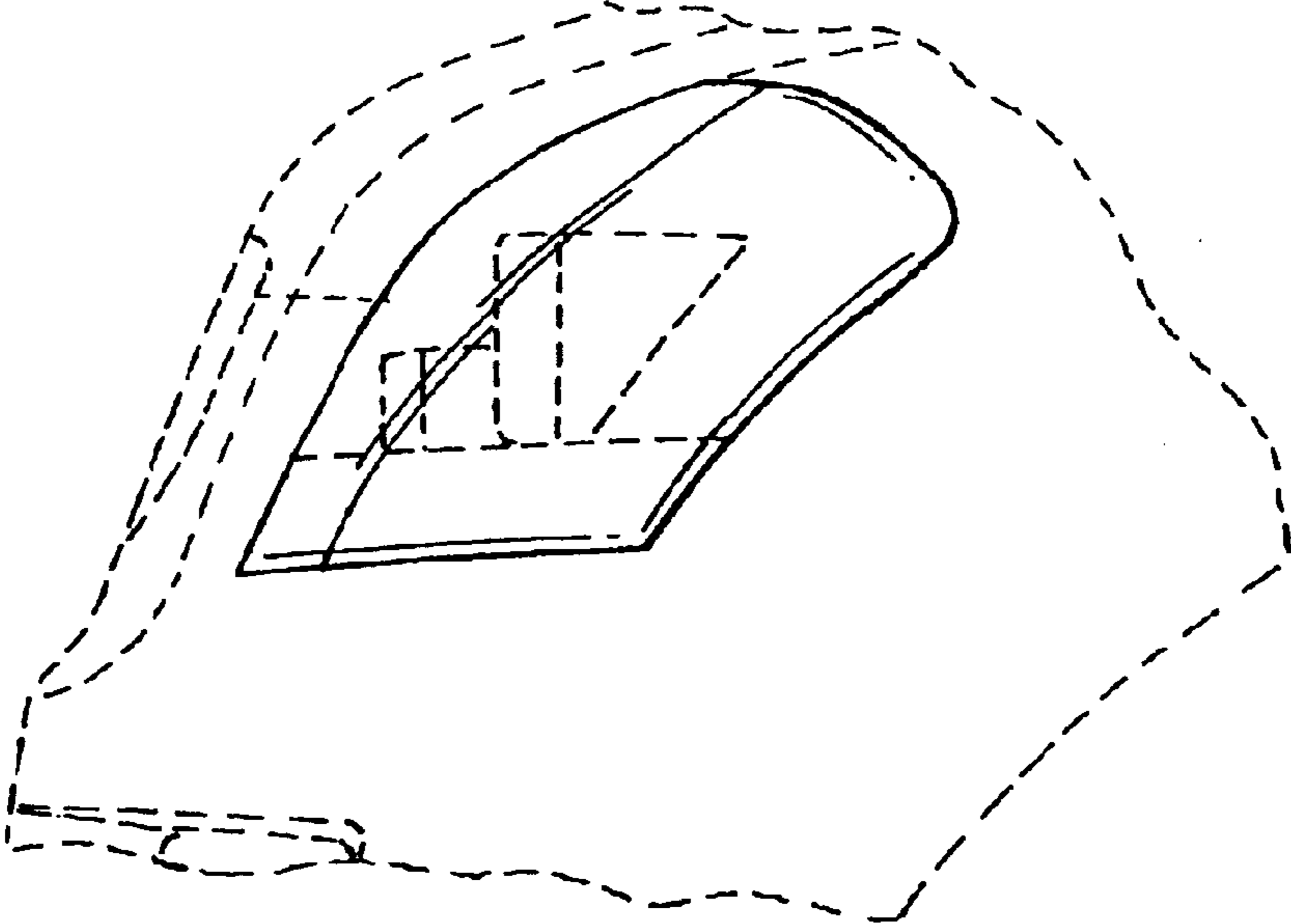


FIG. 5

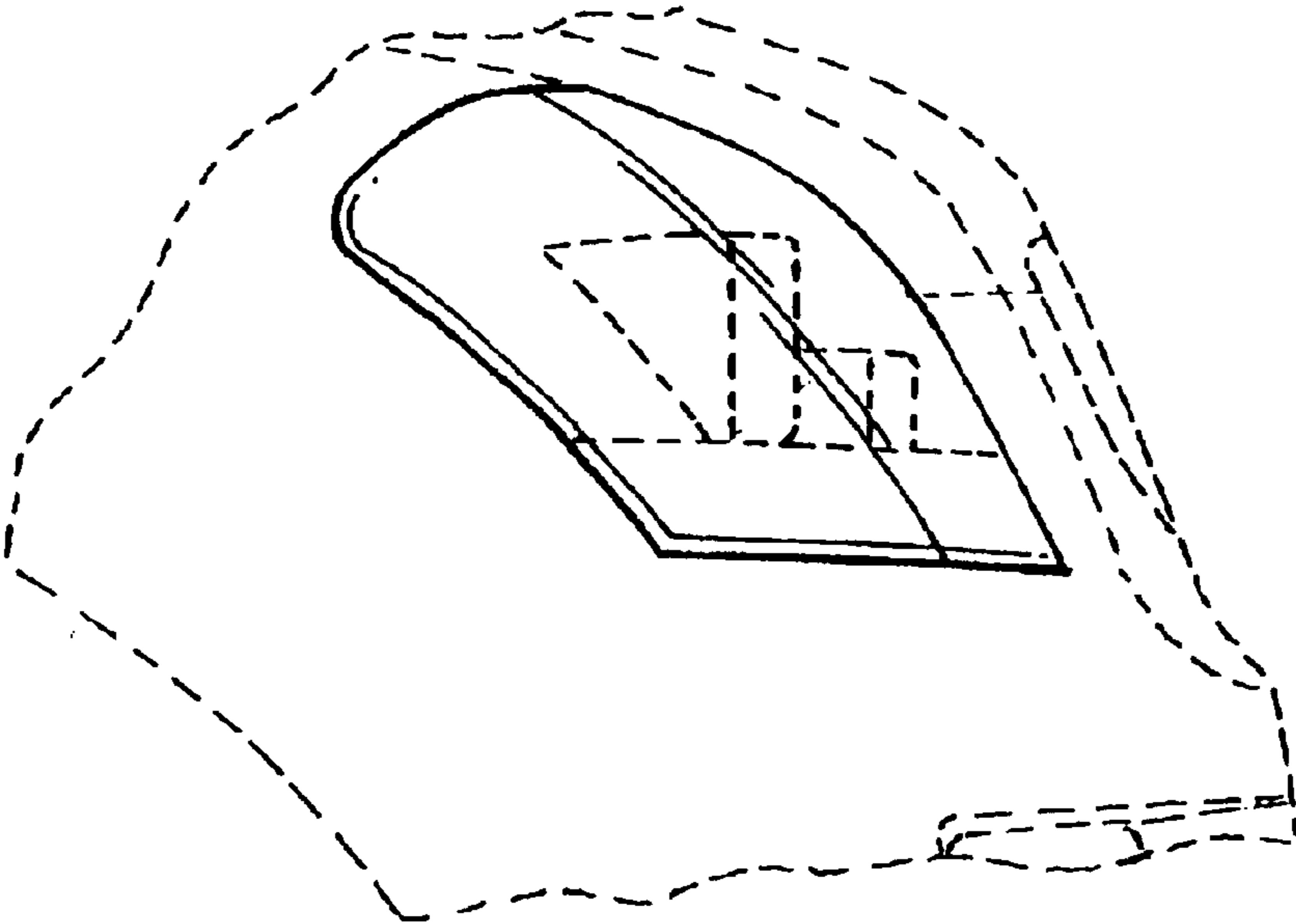


FIG. 6

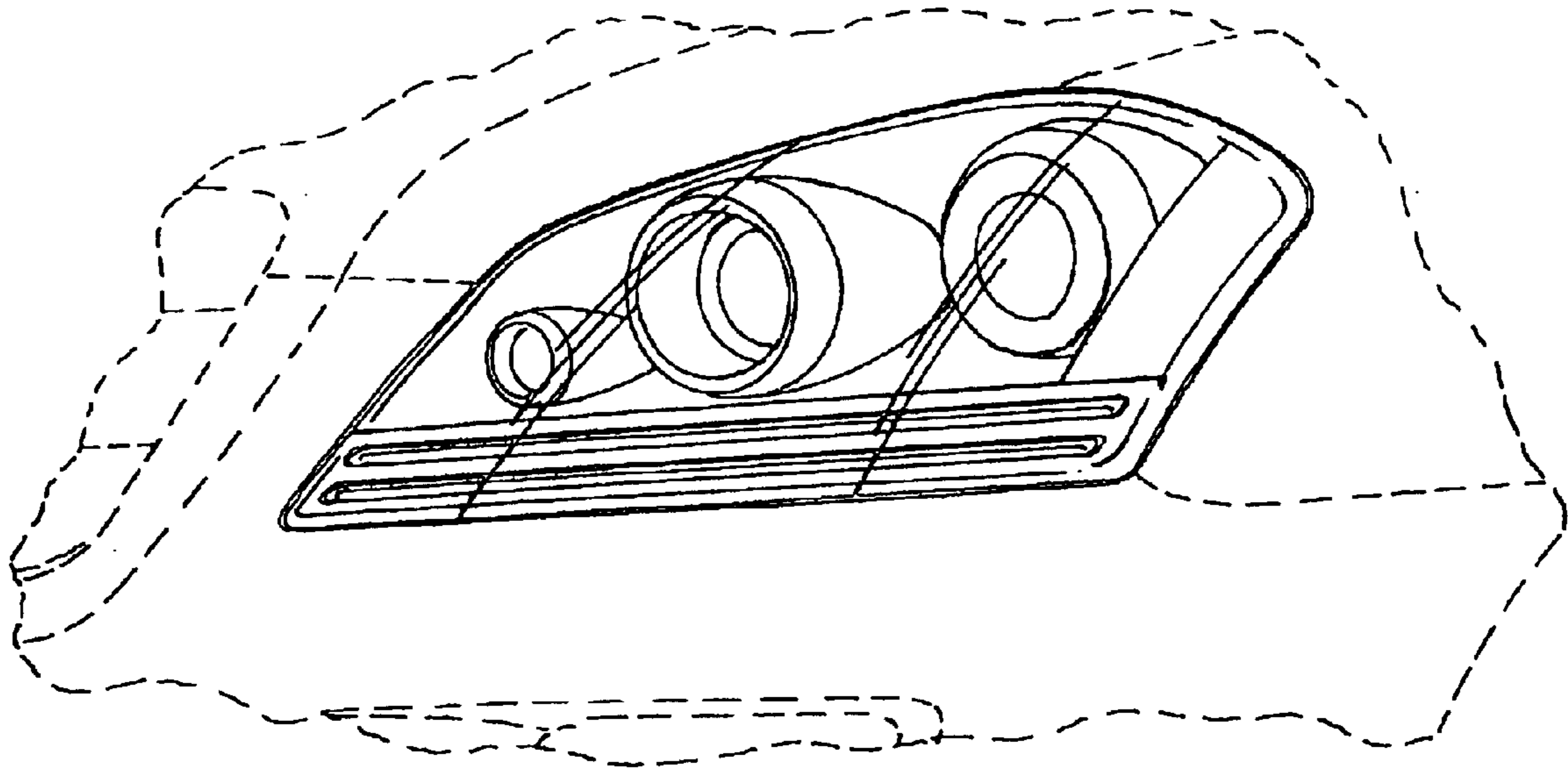


FIG. 7

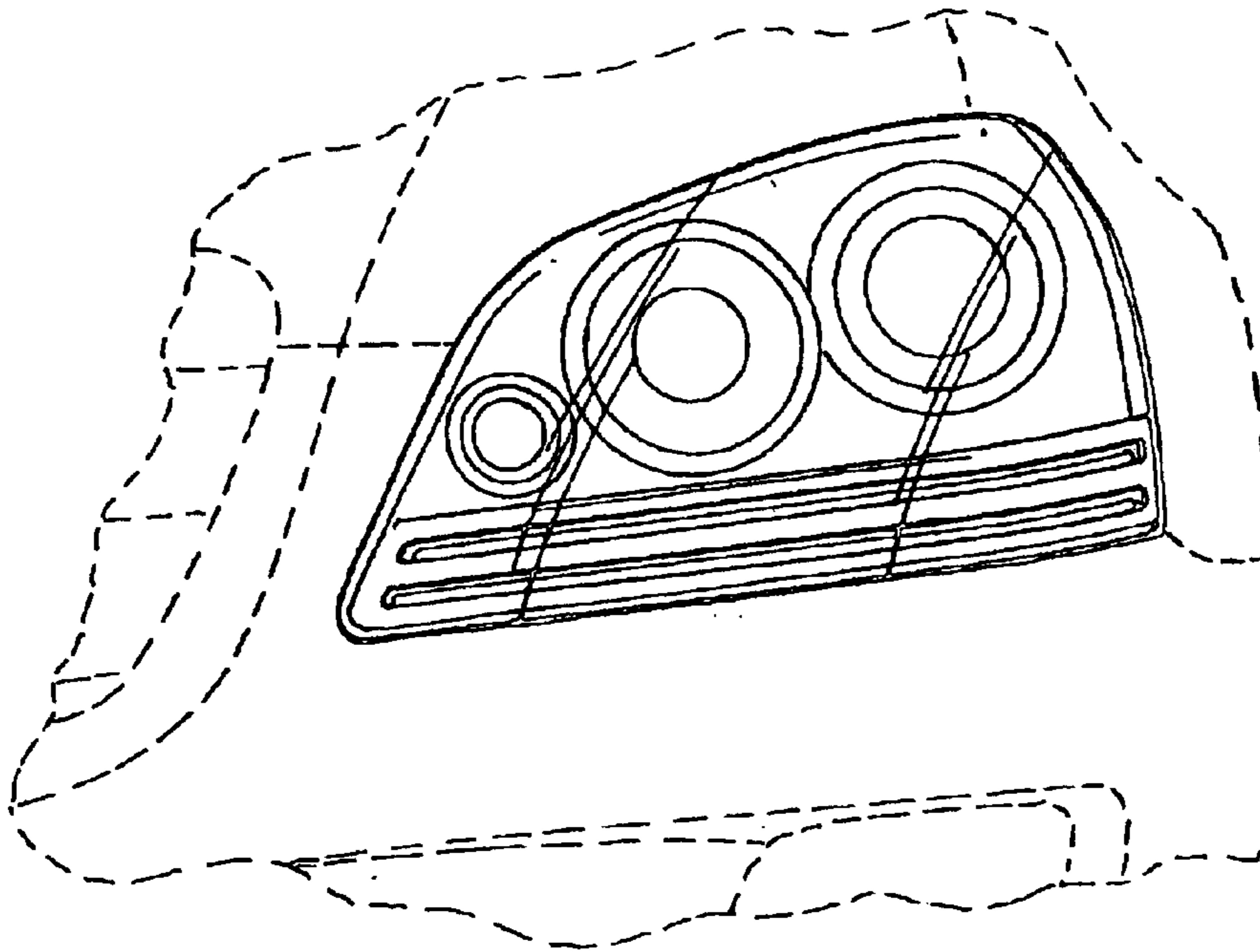


FIG. 8

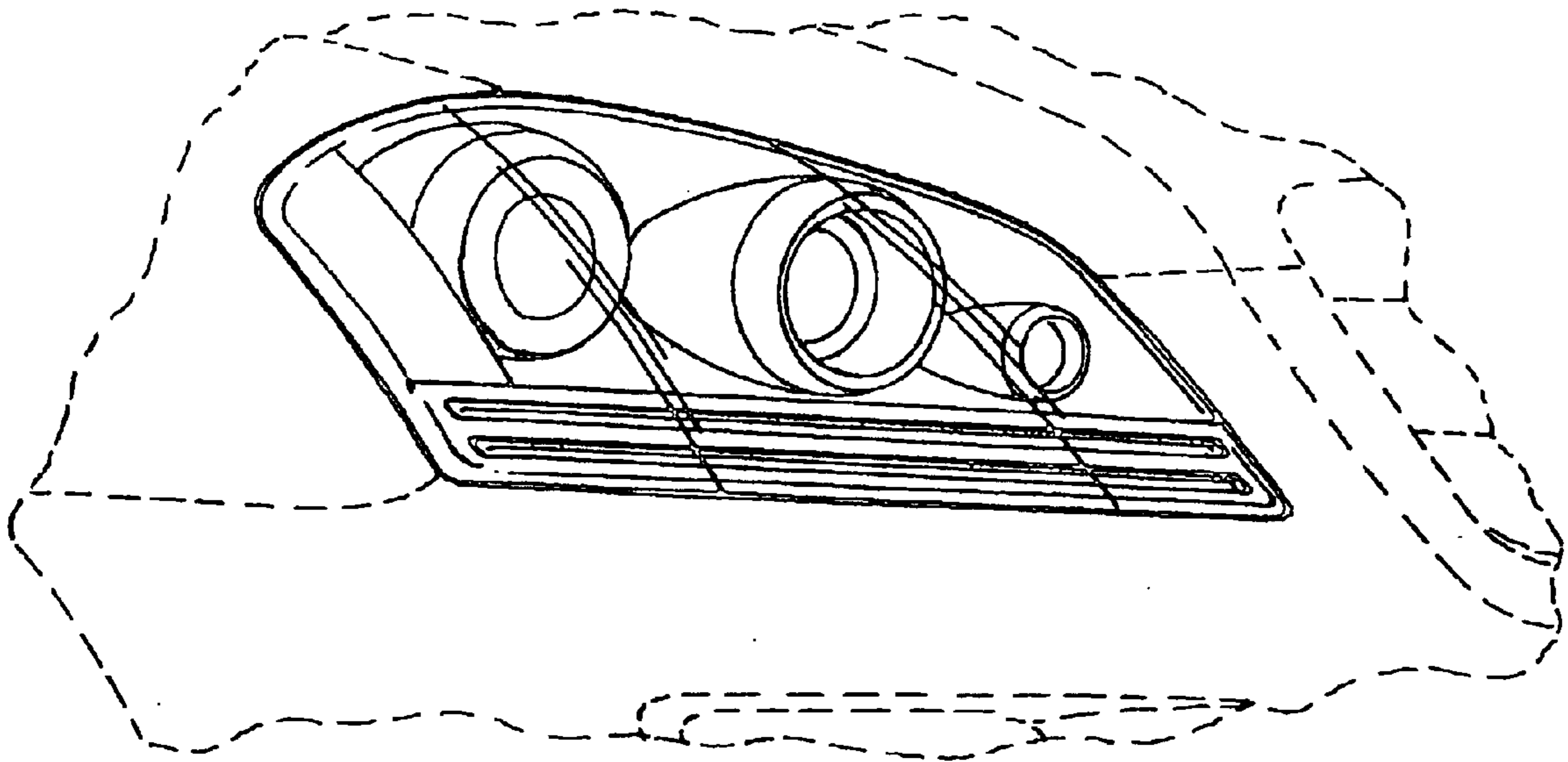


FIG. 9

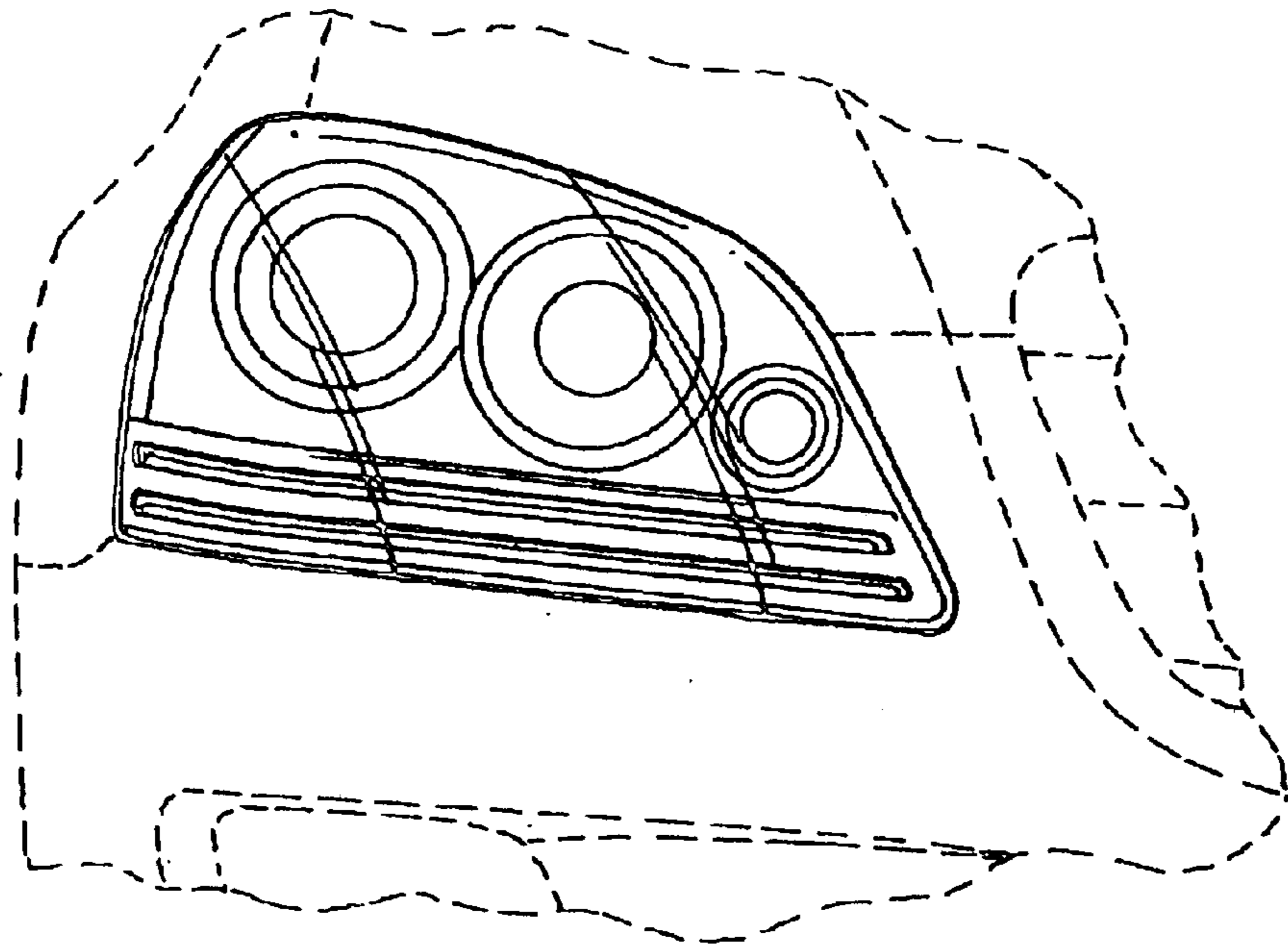


FIG. 10

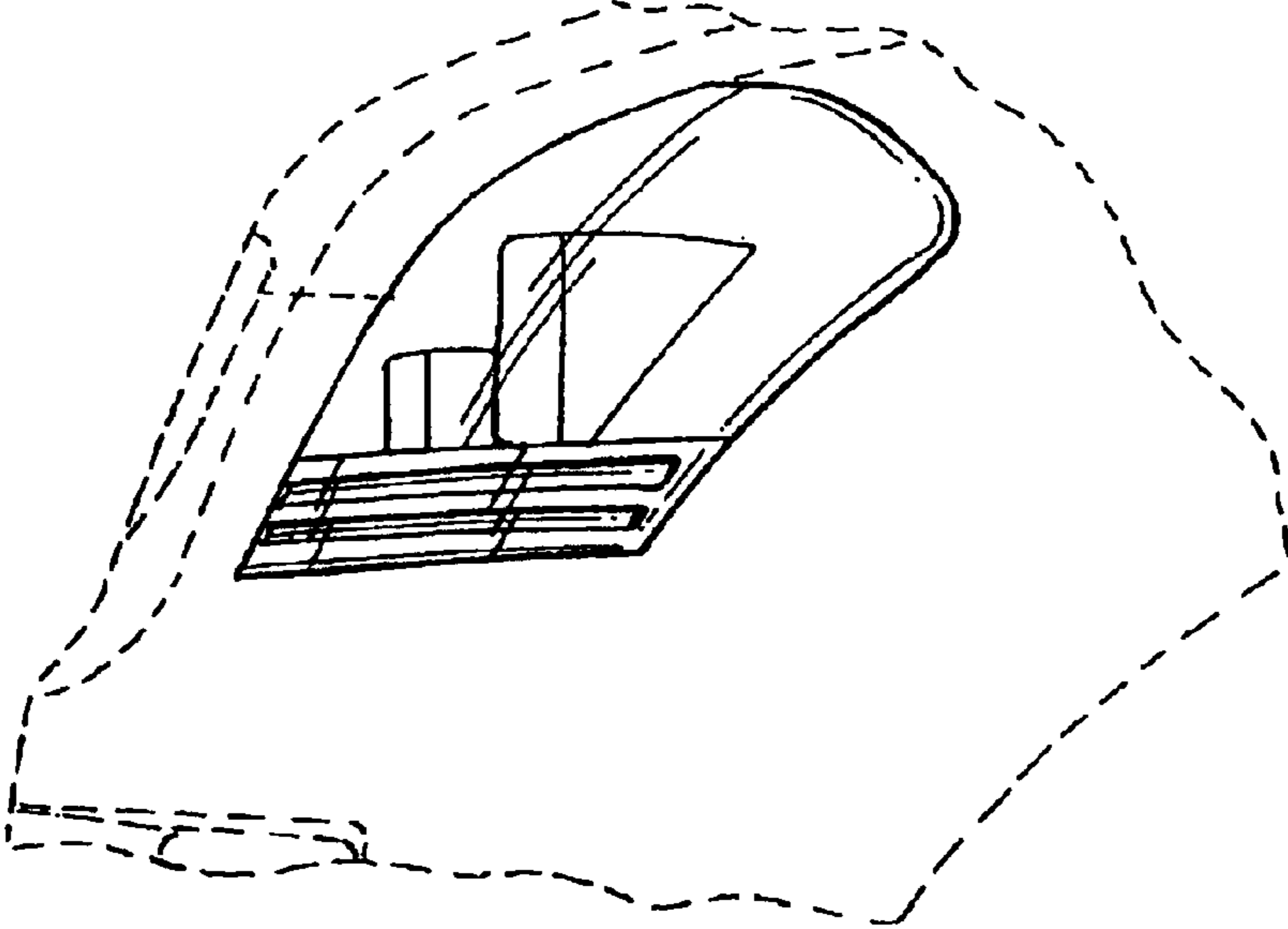


FIG. 11

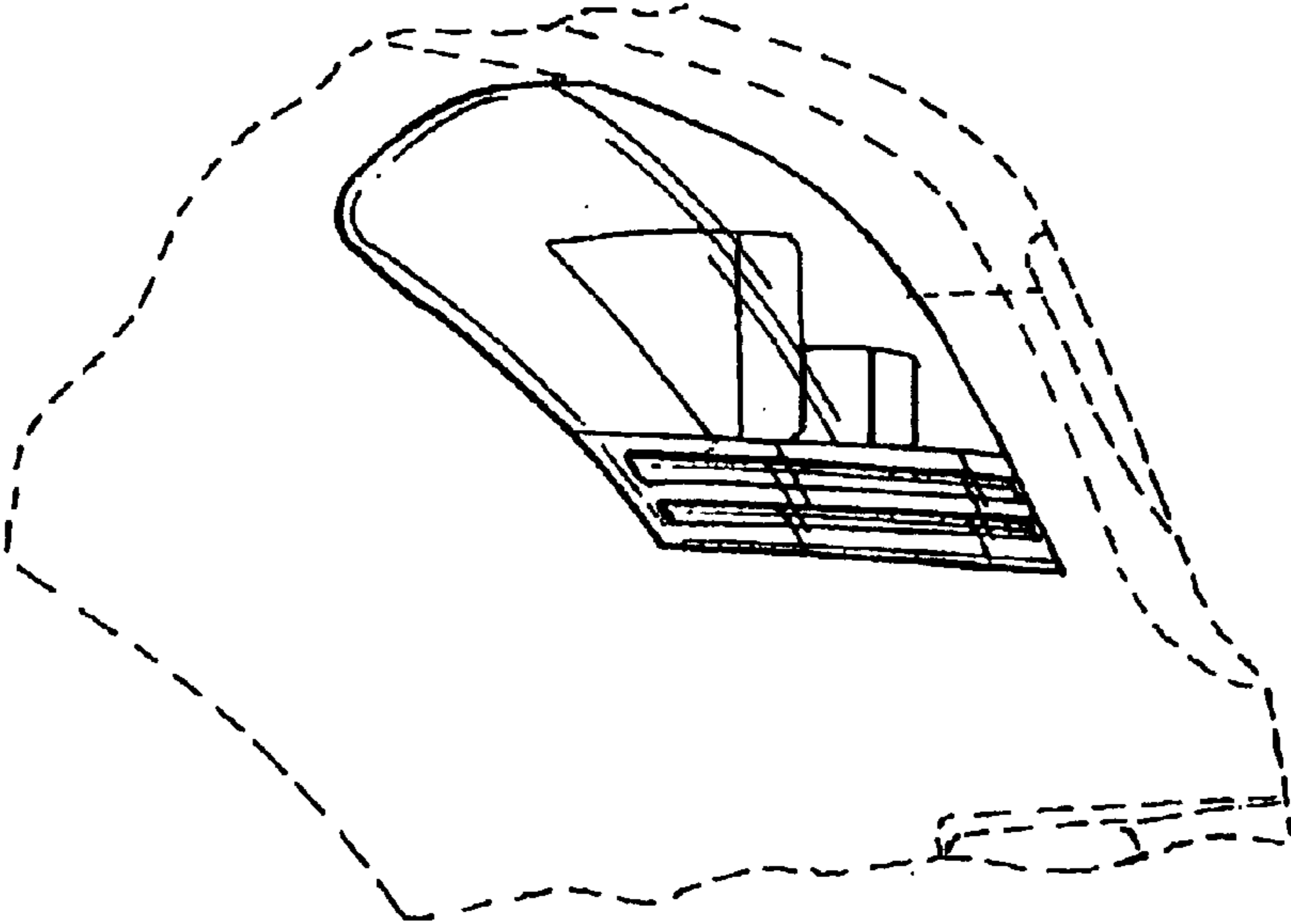


FIG. 12