



US00D508742S

(12) **United States Design Patent**
van Bekhoven

(10) **Patent No.: US D508,742 S**

(45) **Date of Patent: ** Aug. 23, 2005**

(54) **TEA LIGHT CANDLE HOLDER FOR A BOTTLE**

Primary Examiner—Robin V. Taylor

(76) **Inventor: Bart van Bekhoven**, Veemarktstraat 41,
4811 ZC Breda (NL)

(57) **CLAIM**

The ornamental design for a tea light candle holder for a bottle, as shown and described.

(**) **Term: 14 Years**

DESCRIPTION

(21) **Appl. No.: 29/203,321**

FIG. 1 is a top perspective view showing the tea light candle holder of the invention, with a tea light candle placed in the holder;

(22) **Filed: Apr. 13, 2004**

FIG. 2 is view similar to FIG. 1 without the tea light candle in the tea light candle holder;

(51) **LOC (8) Cl. 26-01**

(52) **U.S. Cl. D26/9**

(58) **Field of Search D26/9, 10-12;**
431/291-2, 297

FIG. 3 is a side elevation of the tea light candle holder of the invention, the candle holder being uniform in appearance from all sides;

(56) **References Cited**

U.S. PATENT DOCUMENTS

D150,073 S	*	6/1948	Knorpp	D26/12
D155,278 S	*	9/1949	Fischett	D26/12
D227,798 S	*	7/1973	Anderson	D26/12
D328,356 S	*	7/1992	Wokeck	D26/9

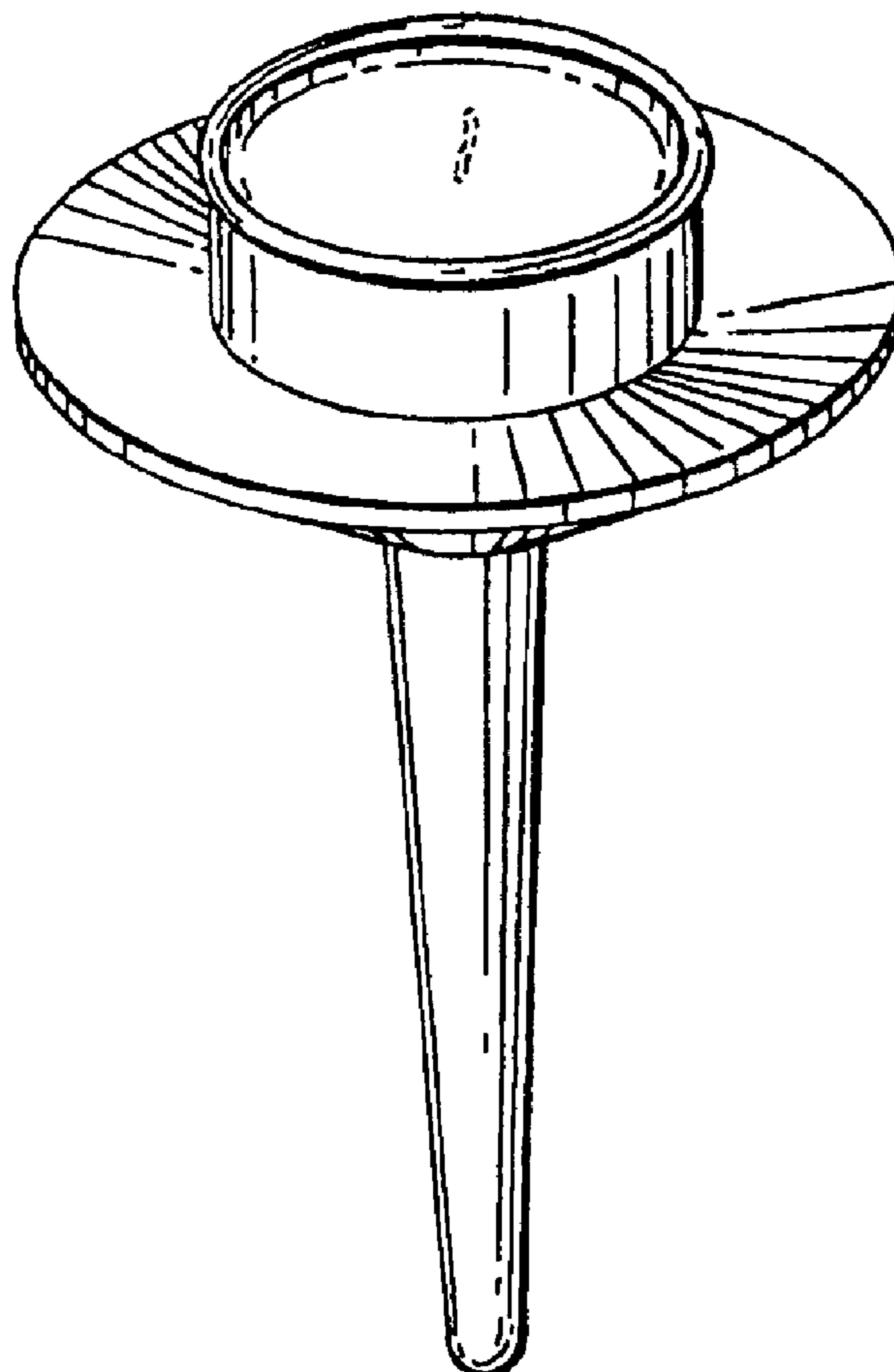
FIG. 4 is a top view of the tea light candle holder of the invention; and,

FIG. 5 is a bottom view of the tea light candle holder of the invention.

The broken line showing of a tea light candle in FIG. 1 is for illustrative purposes only and forms no part of the claimed design.

* cited by examiner

1 Claim, 2 Drawing Sheets



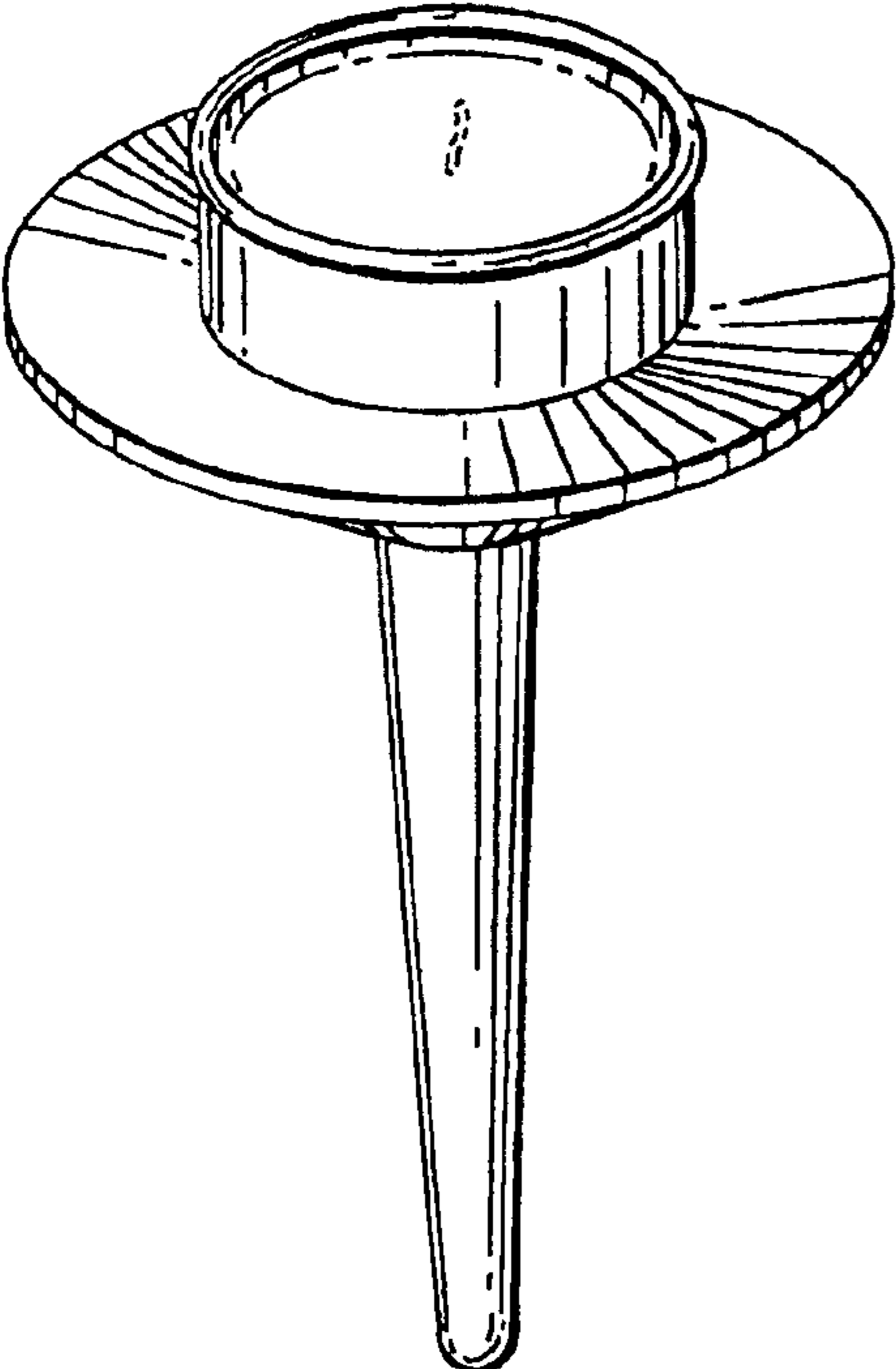


FIG. 1

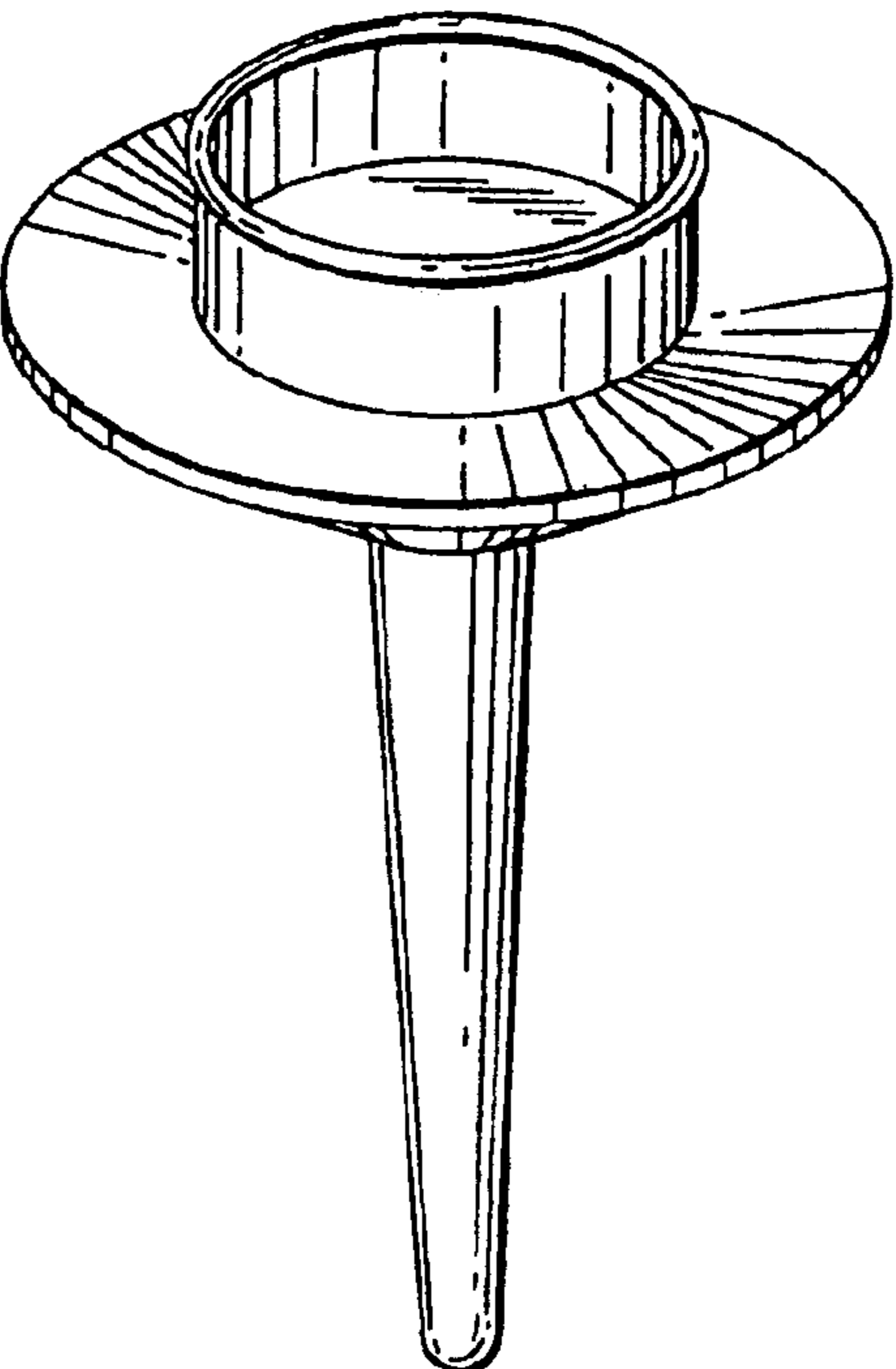


FIG. 2

FIG. 3

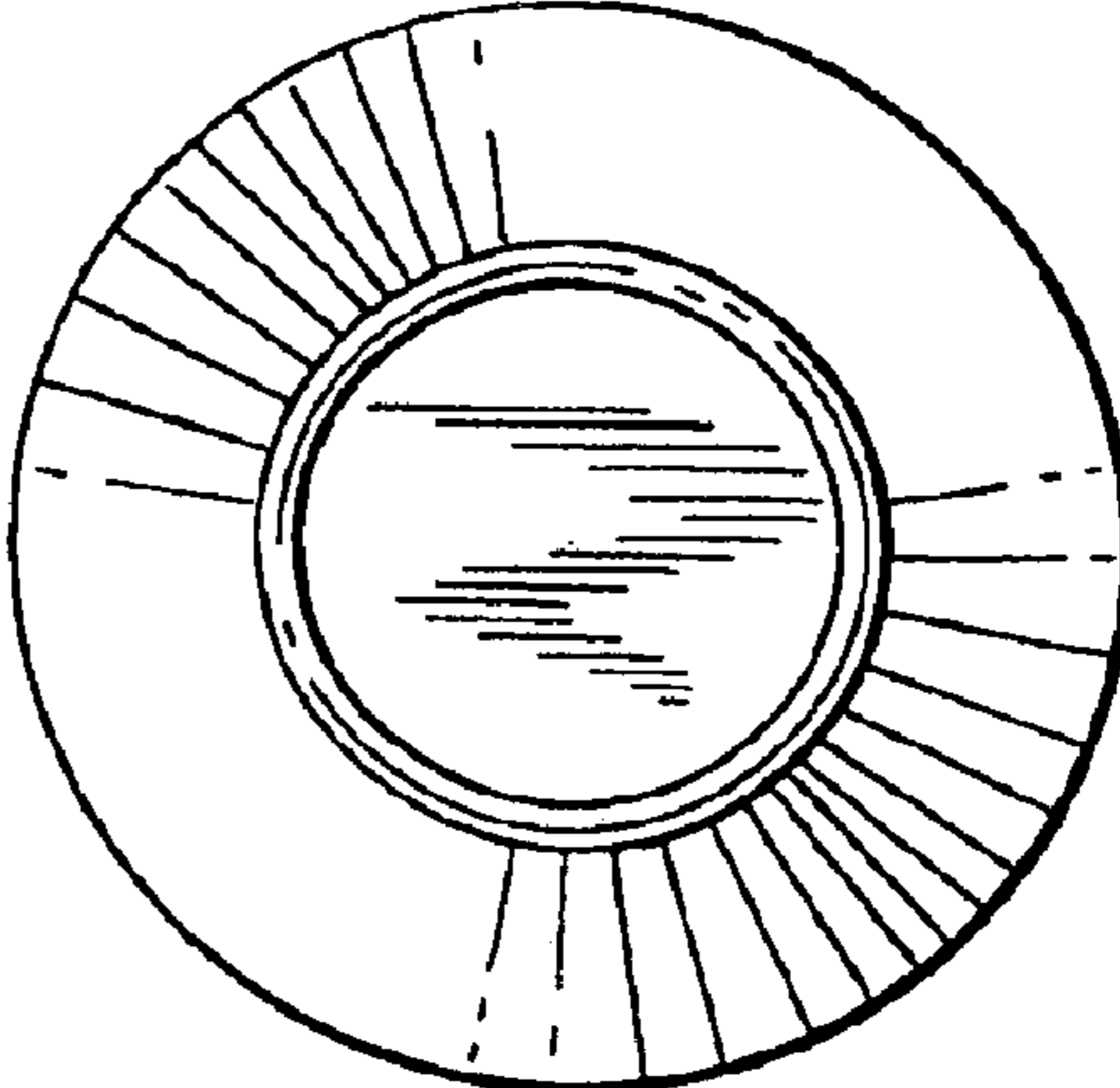
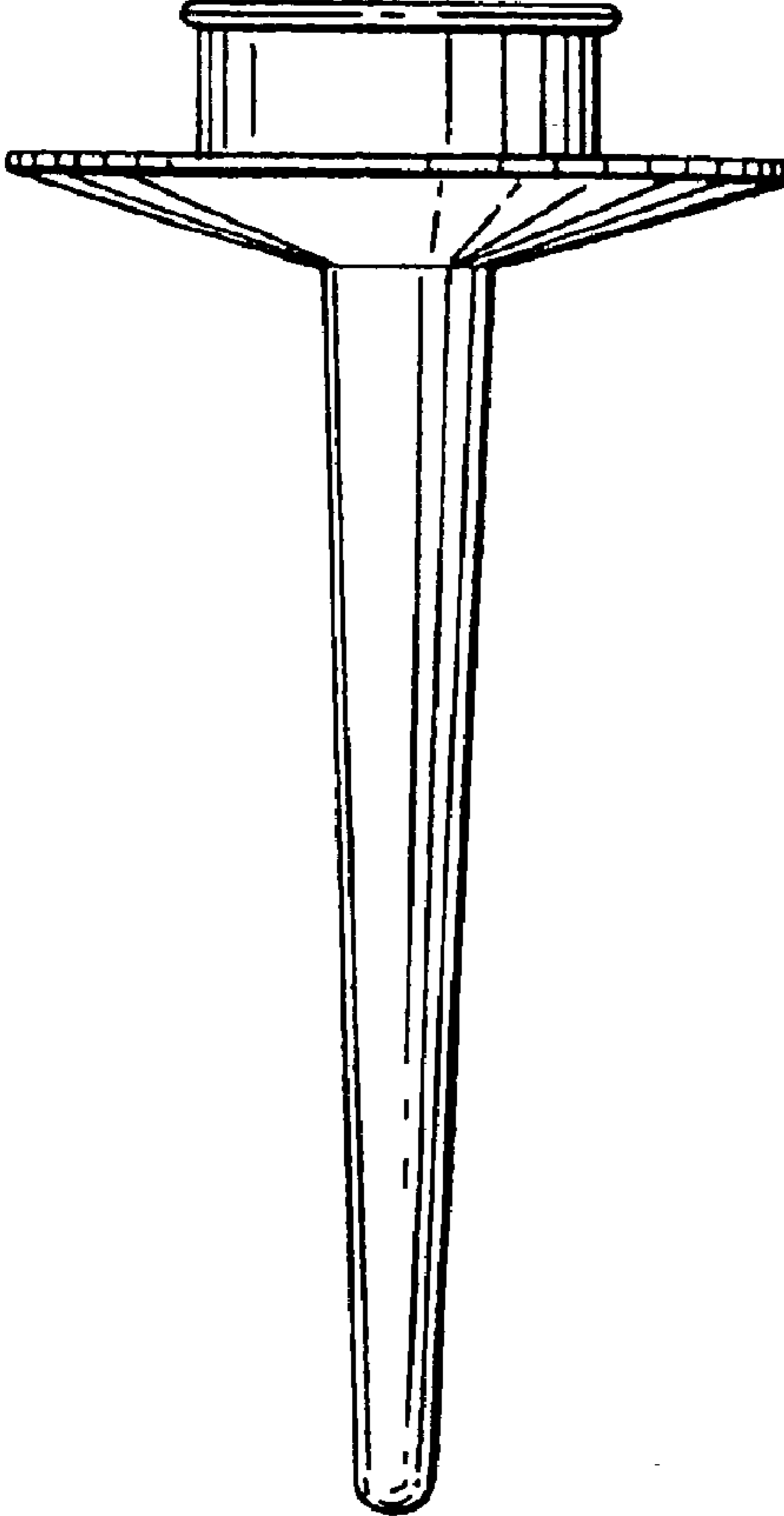


FIG. 4

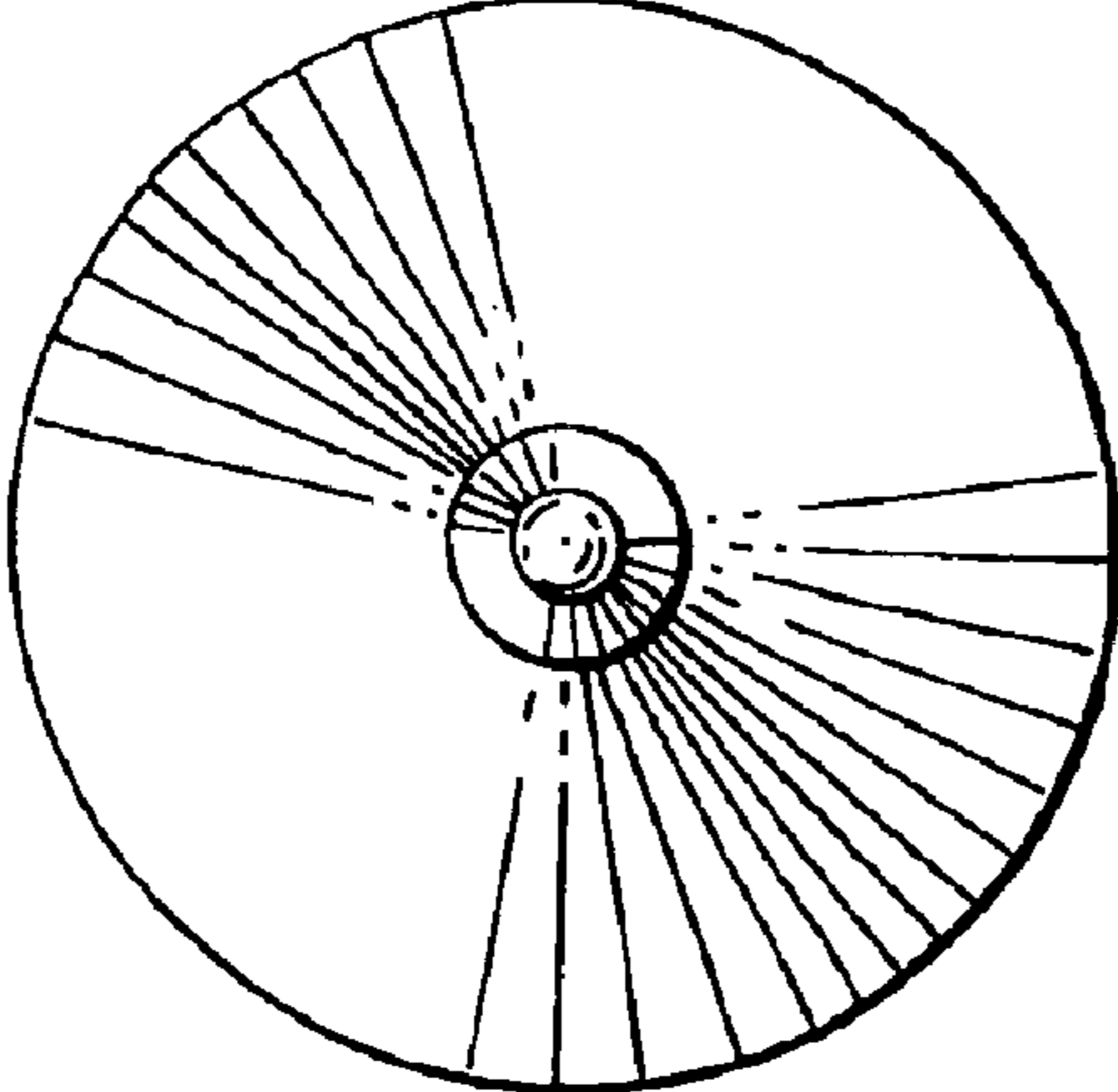


FIG. 5