

US00D508739S

(12) **United States Design Patent**
Shillingburg

(10) **Patent No.:** **US D508,739 S**

(45) **Date of Patent:** **** Aug. 23, 2005**

(54) **CONSTRUCTION BLOCK**

D441,464 S * 5/2001 Pribyl D25/118

(76) **Inventor:** **Curtis W. Shillingburg**, 634 Wagon
Trail, Rock Hill, SC (US) 29732

* cited by examiner

Primary Examiner—Robert A. Delehanty

(74) *Attorney, Agent, or Firm*—Schwartz Law Firm P.C.

(**) **Term:** **14 Years**

(57) **CLAIM**

(21) **Appl. No.:** **29/213,925**

I claim the ornamental design for a construction block, as shown.

(22) **Filed:** **Sep. 24, 2004**

DESCRIPTION

(51) **LOC (8) Cl.** **25-01**

(52) **U.S. Cl.** **D25/113**

(58) **Field of Search** D25/112–118,
D25/164, 151; D21/483–486, 499–505;
405/15–16, 284, 286; 404/34, 37–42, 44–45;
52/102, 503–505, 596–609, 612

FIG. 1 is a front perspective view of a construction block according to one preferred embodiment of the present design;

FIG. 2 is a rear perspective view of the construction block;

FIG. 3 is a top view of the construction block;

FIG. 4 is a bottom view of the construction block;

FIG. 5 is a right side view of the construction block;

FIG. 6 is a left side view of the construction block;

FIG. 7 is a front view of the construction block; and,

FIG. 8 is a rear view of the construction block.

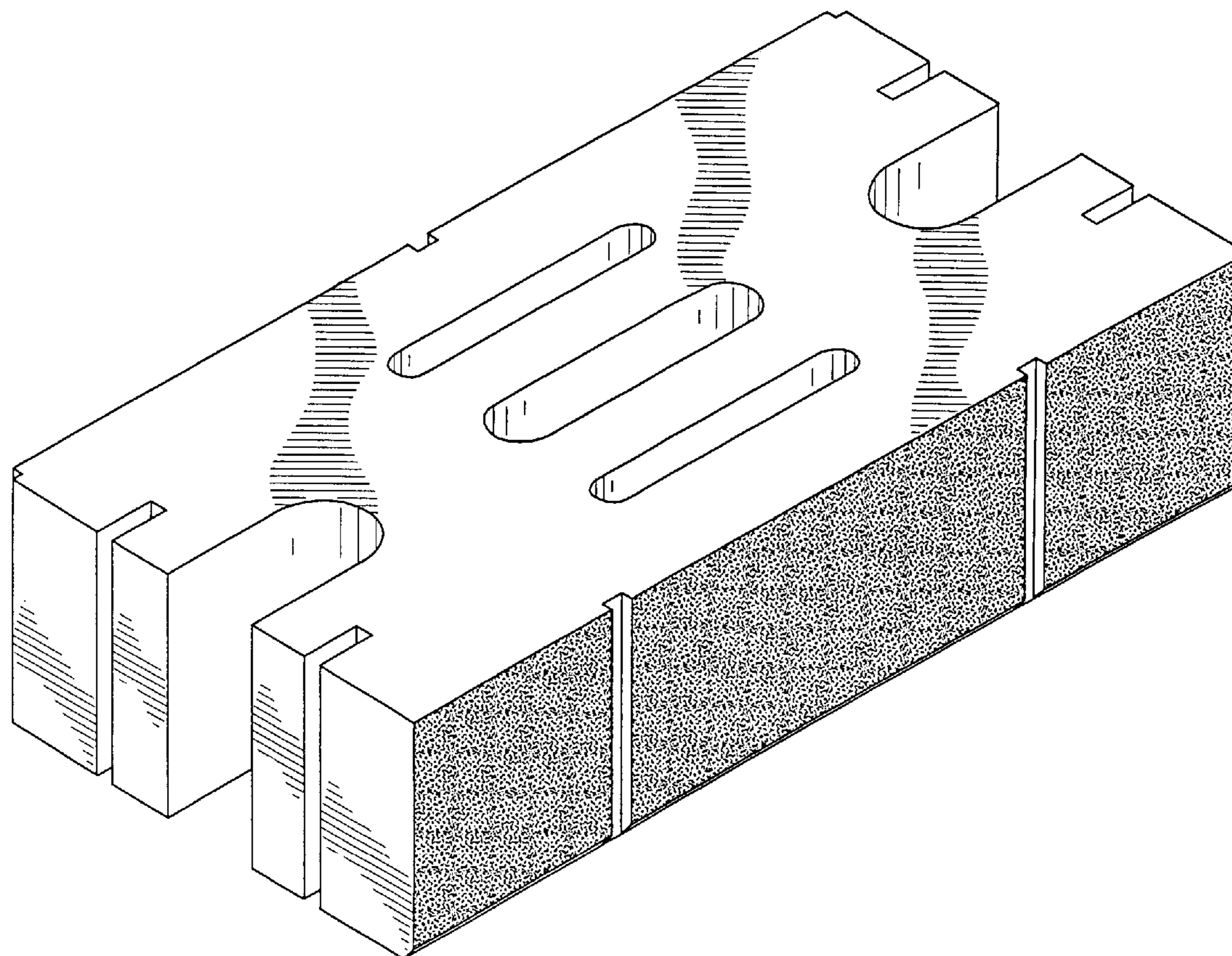
(56) **References Cited**

U.S. PATENT DOCUMENTS

1,727,362 A * 9/1929 Bone 52/605

D235,570 S * 6/1975 Barton D21/499

1 Claim, 8 Drawing Sheets



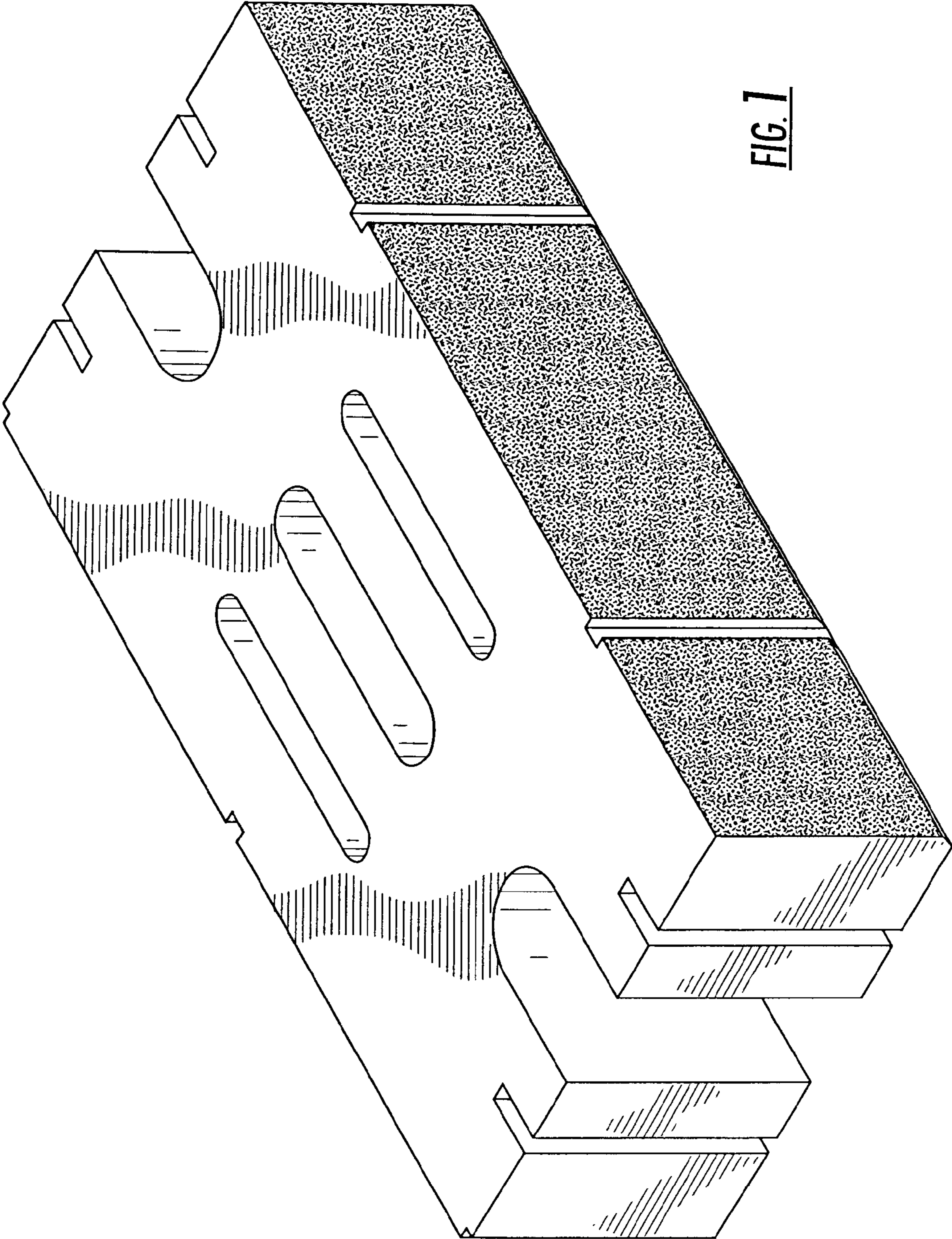


FIG. 1

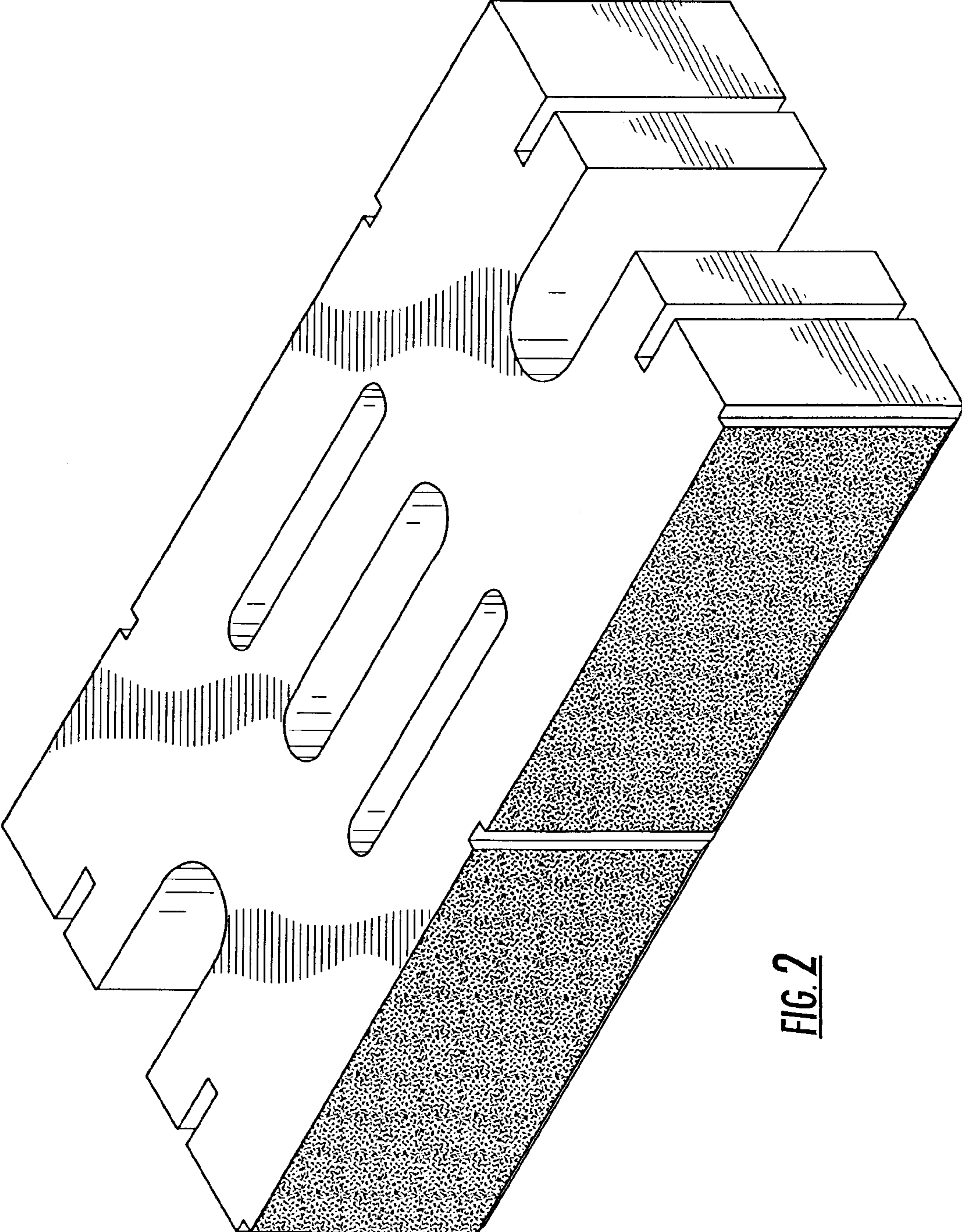


FIG. 2

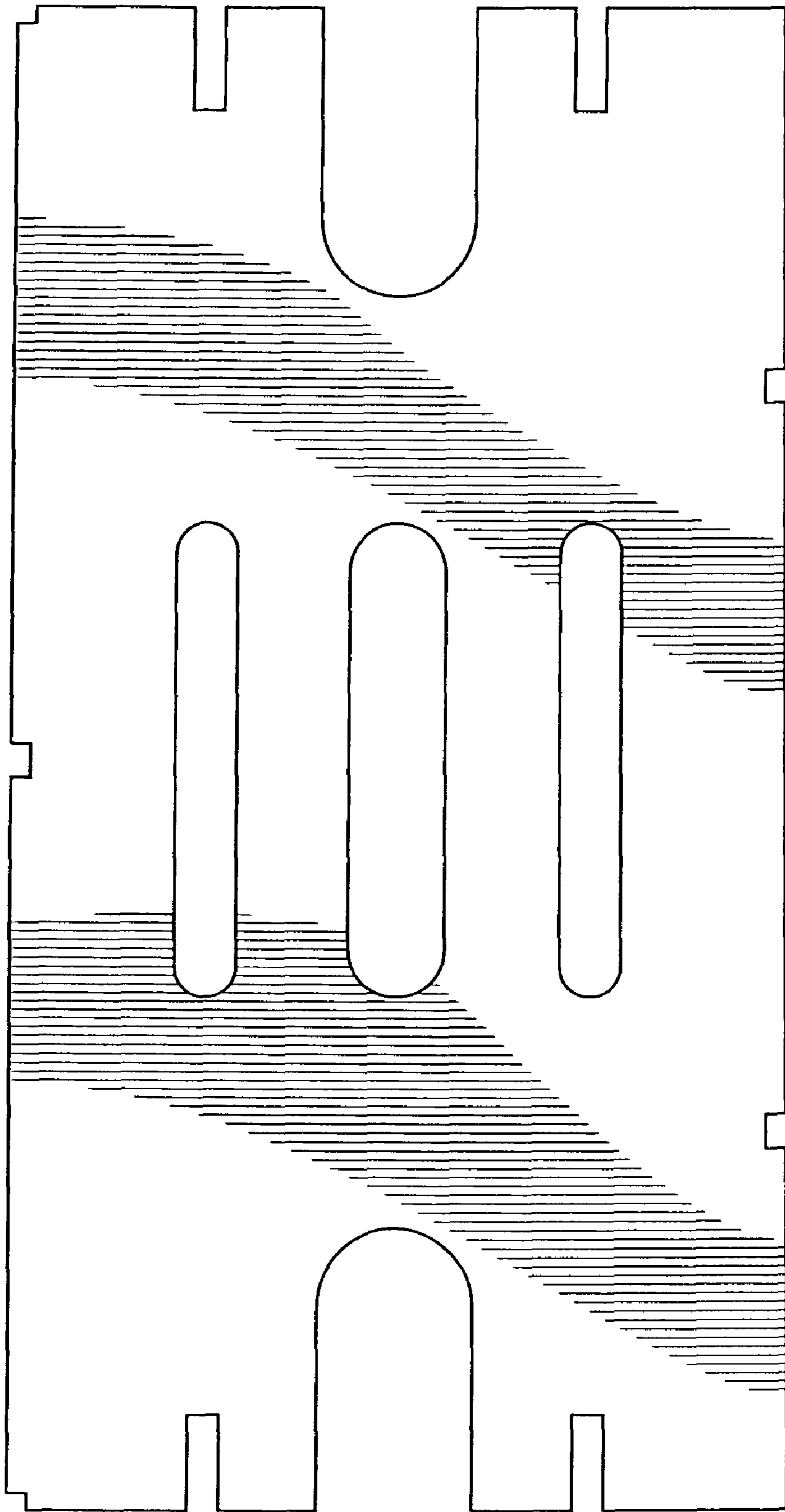


FIG. 3

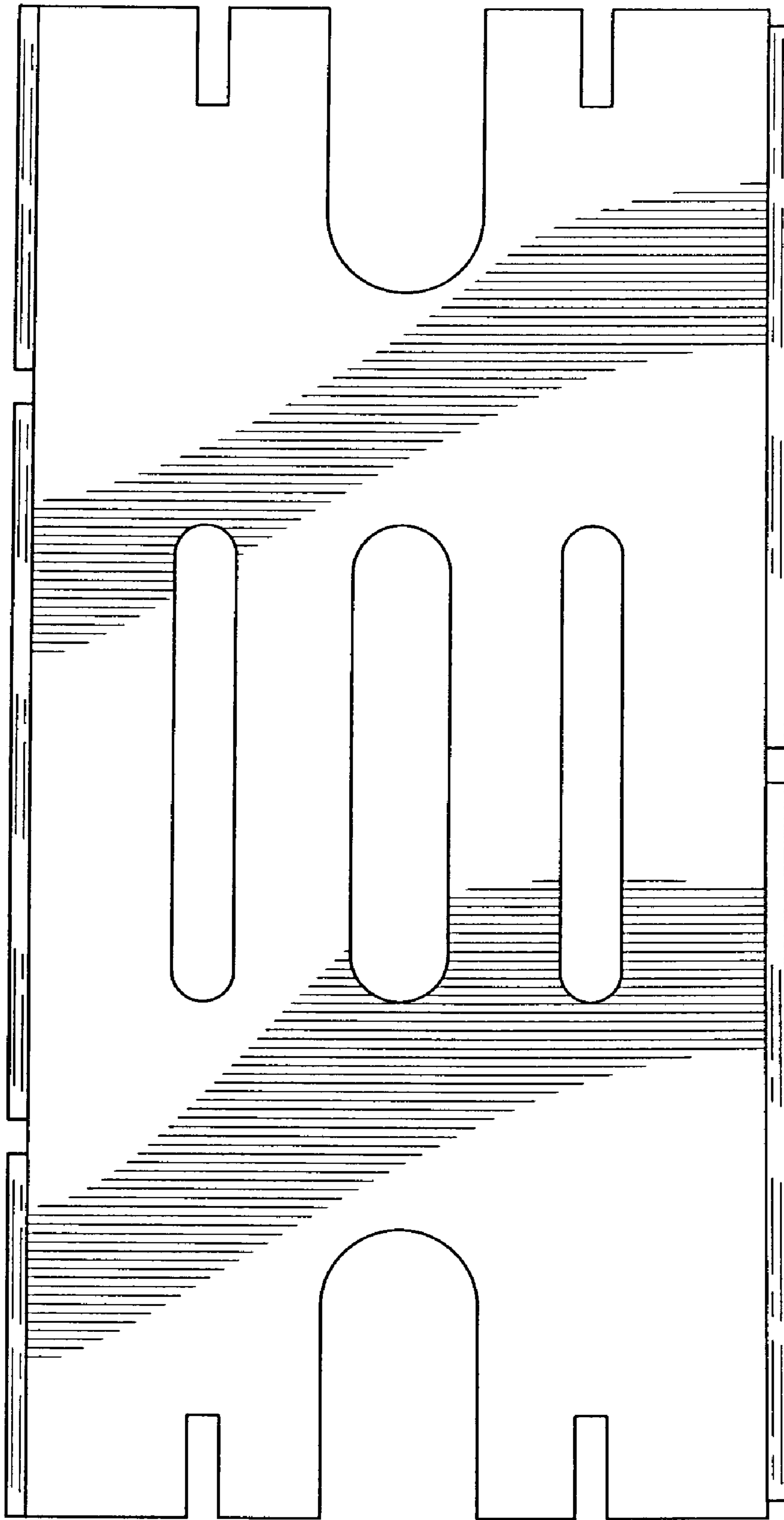


FIG. 4

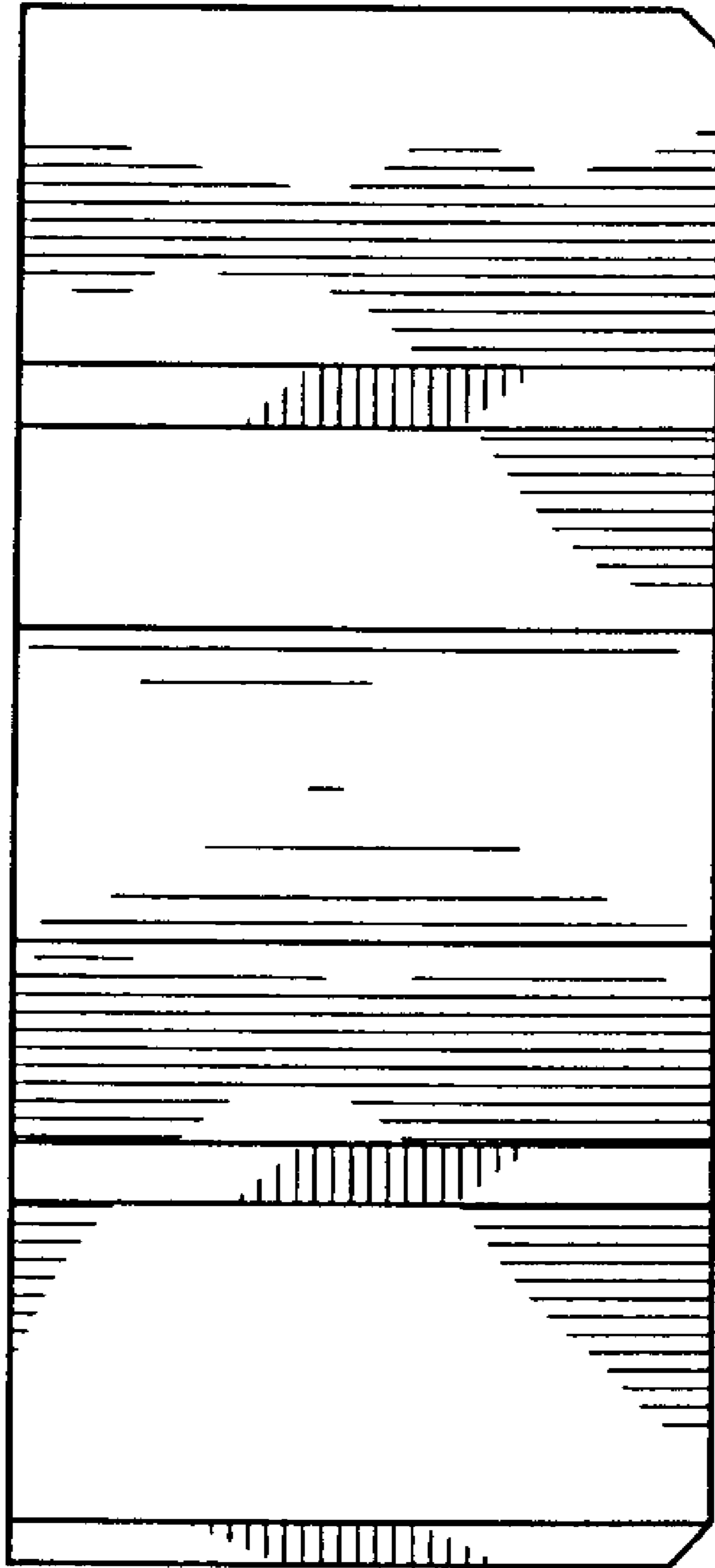


FIG. 5

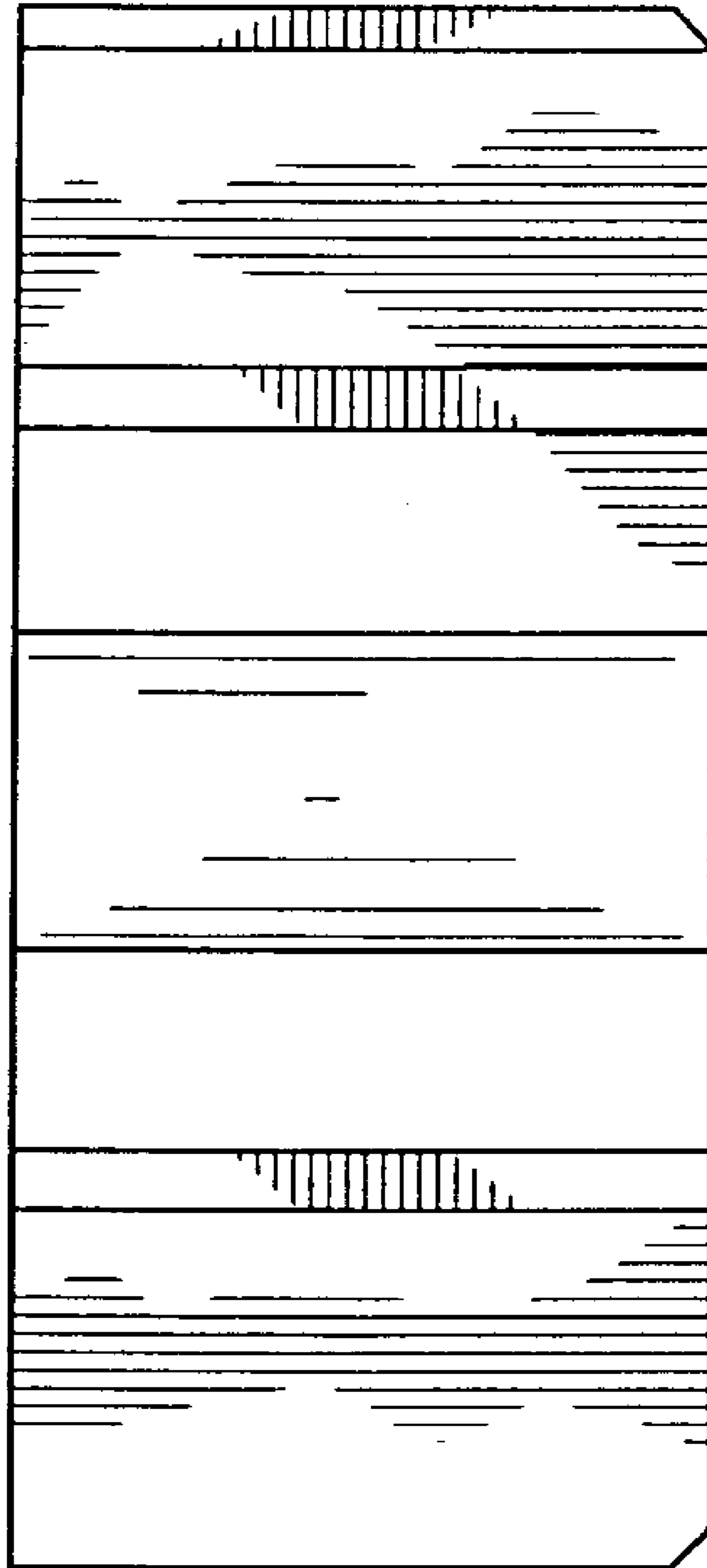


FIG. 6

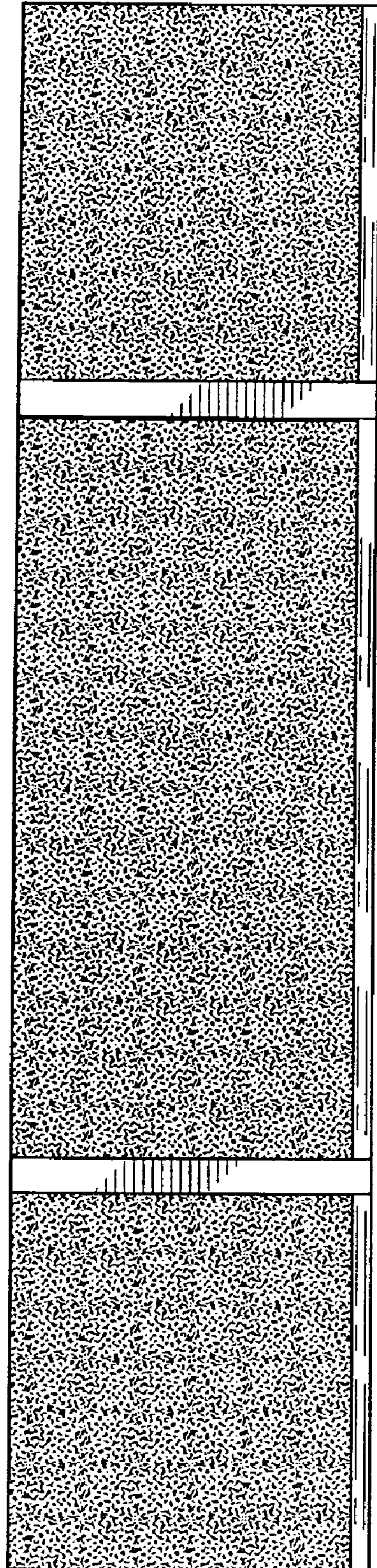


FIG. 7

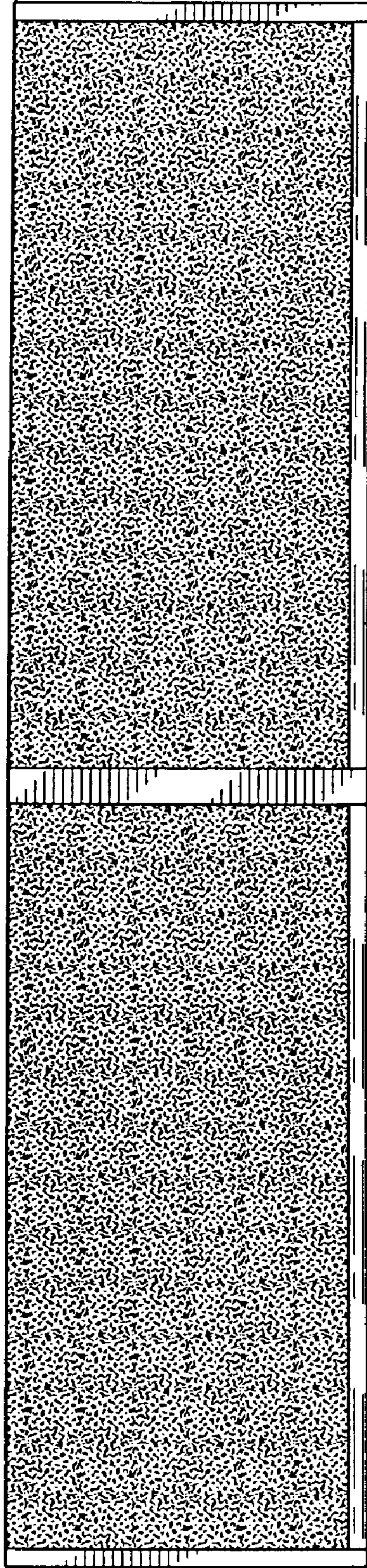


FIG. 8