



US00D508736S

(12) **United States Design Patent**  
**Hidalgo**

(10) **Patent No.:** **US D508,736 S**

(45) **Date of Patent:** **\*\* Aug. 23, 2005**

(54) **COMBINATION CEILING FAN AND LIGHT FIXTURE**

(75) **Inventor:** **Rolando Hidalgo**, Orange, CA (US)

(73) **Assignee:** **Minka Lighting, Inc.**, Corona, CA (US)

(\*\*) **Term:** **14 Years**

(21) **Appl. No.:** **29/196,170**

(22) **Filed:** **Dec. 23, 2003**

(51) **LOC (8) Cl.** ..... **23-04**

(52) **U.S. Cl.** ..... **D23/377**

(58) **Field of Search** ..... D23/377, 379,  
D23/385, 411, 413; 416/5; D26/59, 81-88,  
72; 362/96

(56) **References Cited**

**U.S. PATENT DOCUMENTS**

D453,218 S	1/2002	Hidalgo	
D454,630 S	3/2002	Hidalgo	
D458,363 S	6/2002	Hidalgo	
D470,931 S	2/2003	Hidalgo	
D478,976 S	* 8/2003	Young	..... D23/377
D484,233 S	* 12/2003	Bucher et al.	..... D23/377

**OTHER PUBLICATIONS**

Minka Aire Two Thousand Two; pp. 30,31, Apr. 22, 2002, Minka Lighting, Inc. USA.  
Minka Aire Two Thousand Three; pp. 32,33, Jan. 2003, Minka Lighting, Inc. USA.  
Emerson Internet Catalog; Chateau Royale, Model # CF945PW; www.ceilingfan.com, Nov. 17, 2003, Emerson Fans.

Casablanca Internet Catalog; Aegean Classic Model # 4385V; www.casablancafanco.com, Feb. 20, 2004, Casablanca Fans.

\* cited by examiner

*Primary Examiner*—Lisa Lichtenstein

(74) *Attorney, Agent, or Firm*—Baker & McKenzie LLP

(57) **CLAIM**

The ornamental design for a combination ceiling fan and light fixture, as shown and described.

**DESCRIPTION**

FIG. 1 is a perspective view from below of a combination ceiling fan and light fixture in accordance with my design; FIG. 2 is an enlarged perspective view from below of the combination ceiling fan and light fixture in accordance with my design;

FIG. 3 is a top plan view of the combination ceiling fan and light fixture in accordance with my design;

FIG. 4 is a bottom plan view of the combination ceiling fan and light fixture in accordance with my design;

FIG. 5 is a front elevation view of the combination ceiling fan and light fixture in accordance with my design; and,

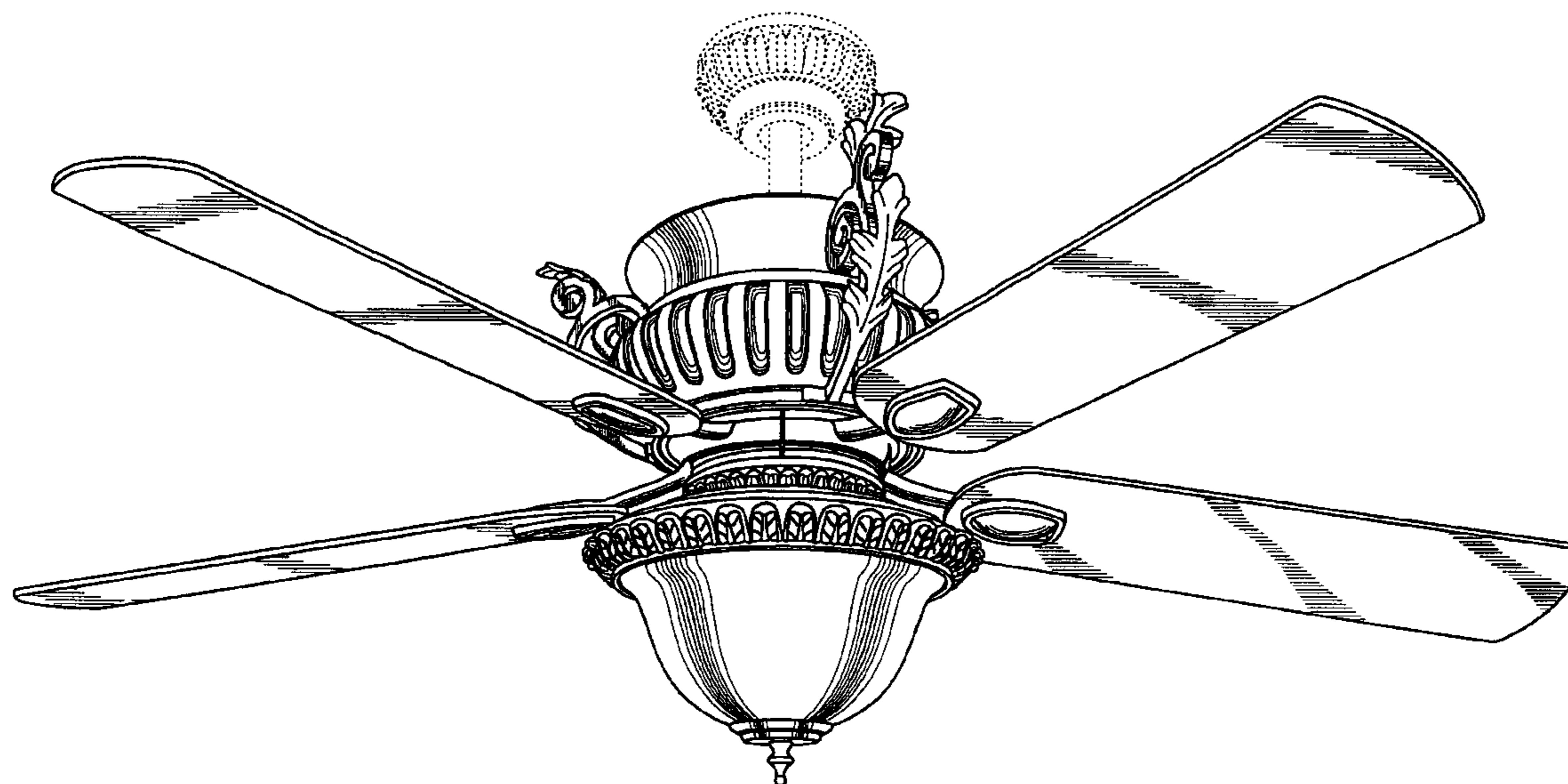
FIG. 6 is a side elevation view of the combination ceiling fan and light fixture in accordance with my design.

FIGS. 5 and 6 are identical except for the positioning of the fan blades.

The broken lines showing environmental structure are for illustrative purposes and form no part of the claimed design.

In FIG. 2, the fan blades are shown broken away to indicate indeterminate length.

**1 Claim, 6 Drawing Sheets**



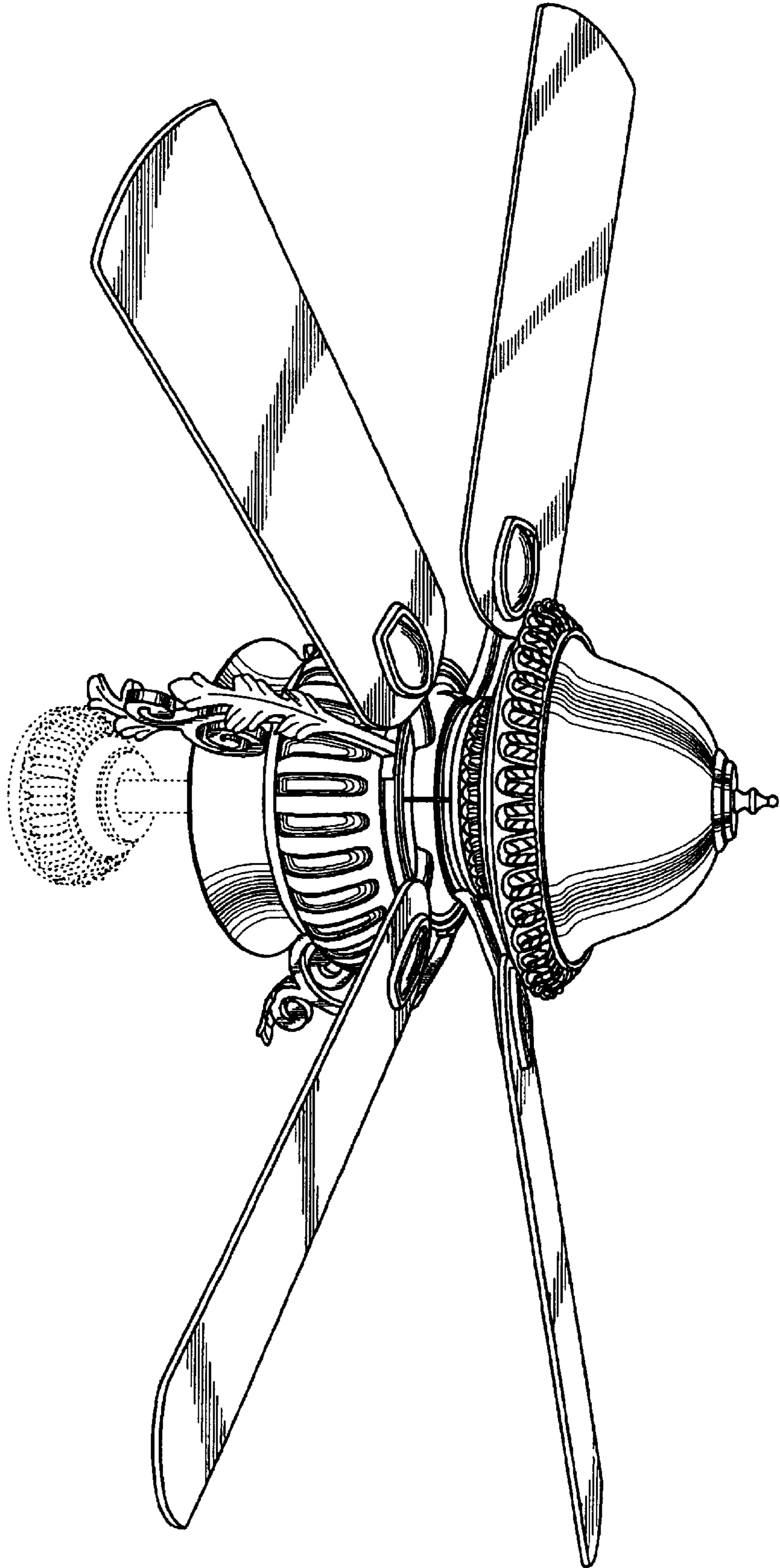
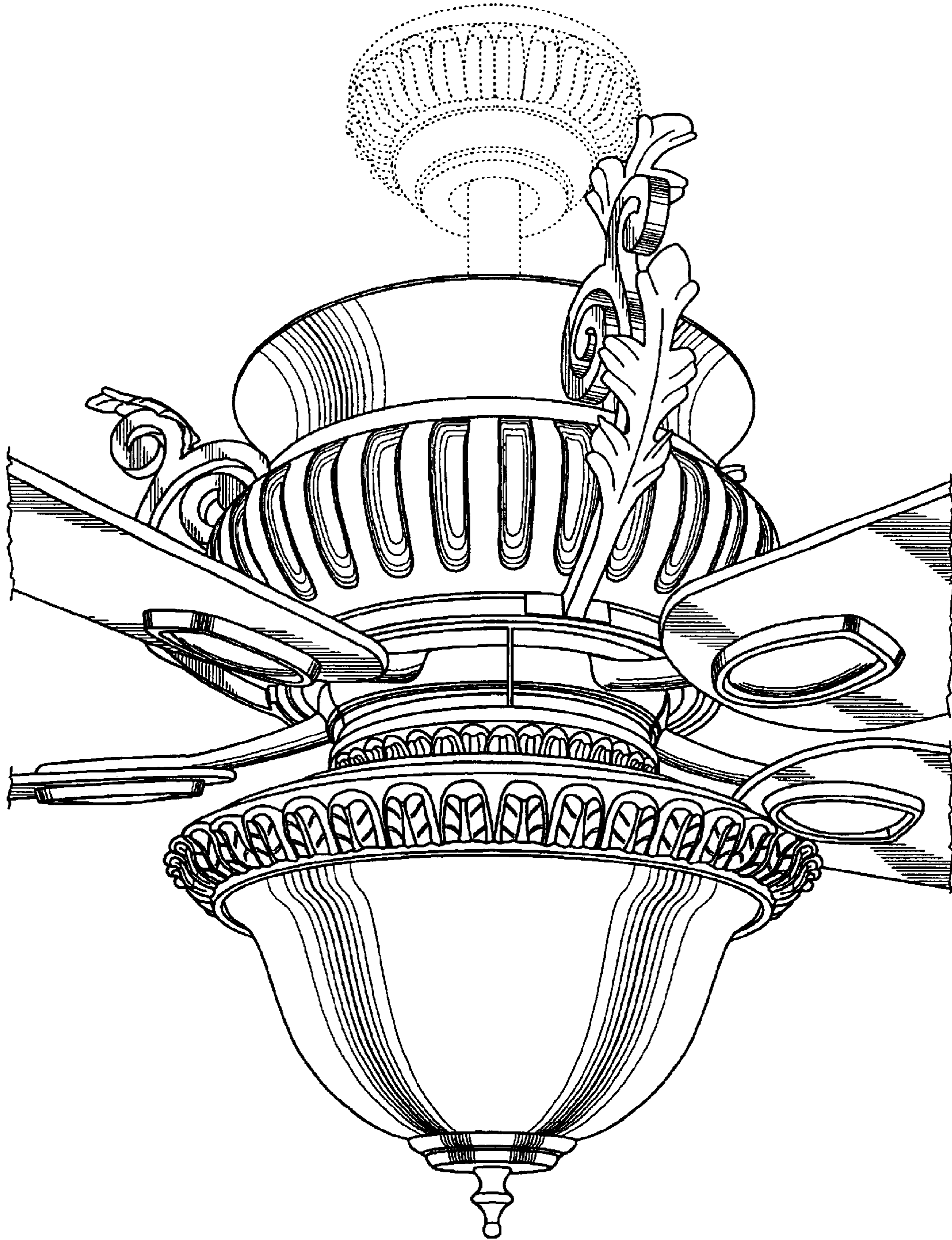
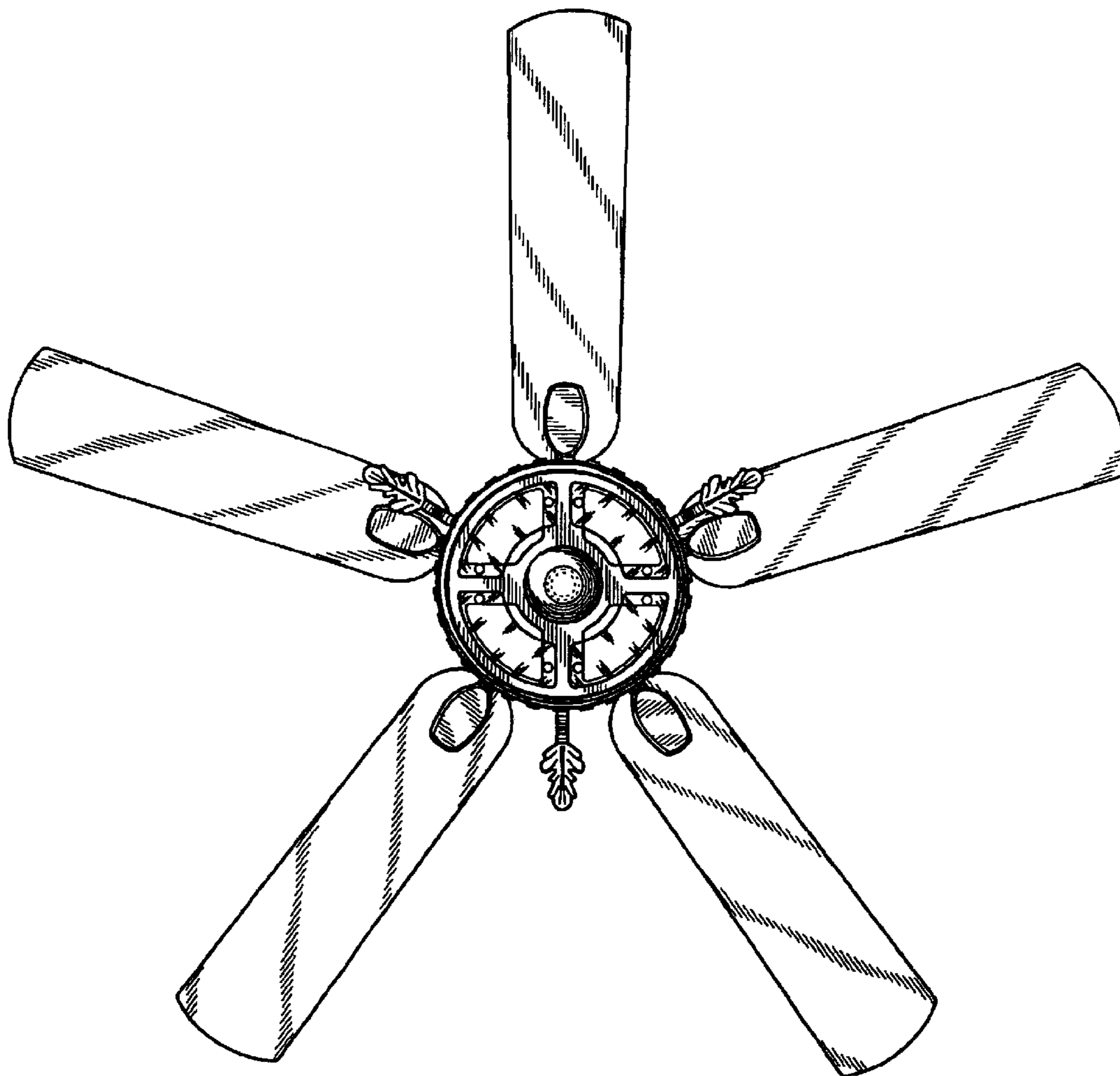


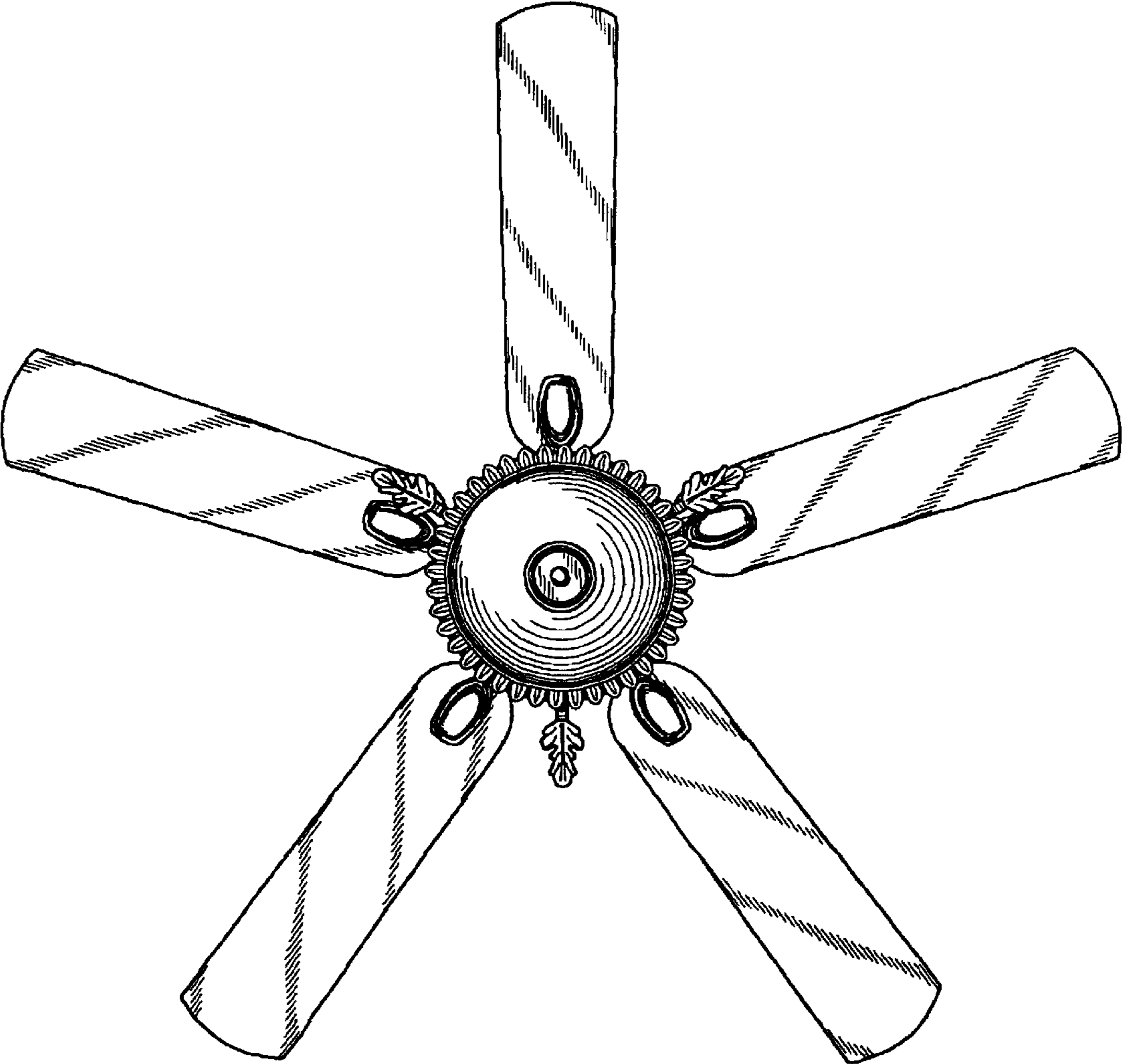
Fig. 1



**Fig. 2**



*Fig. 3*



*Fig.4*

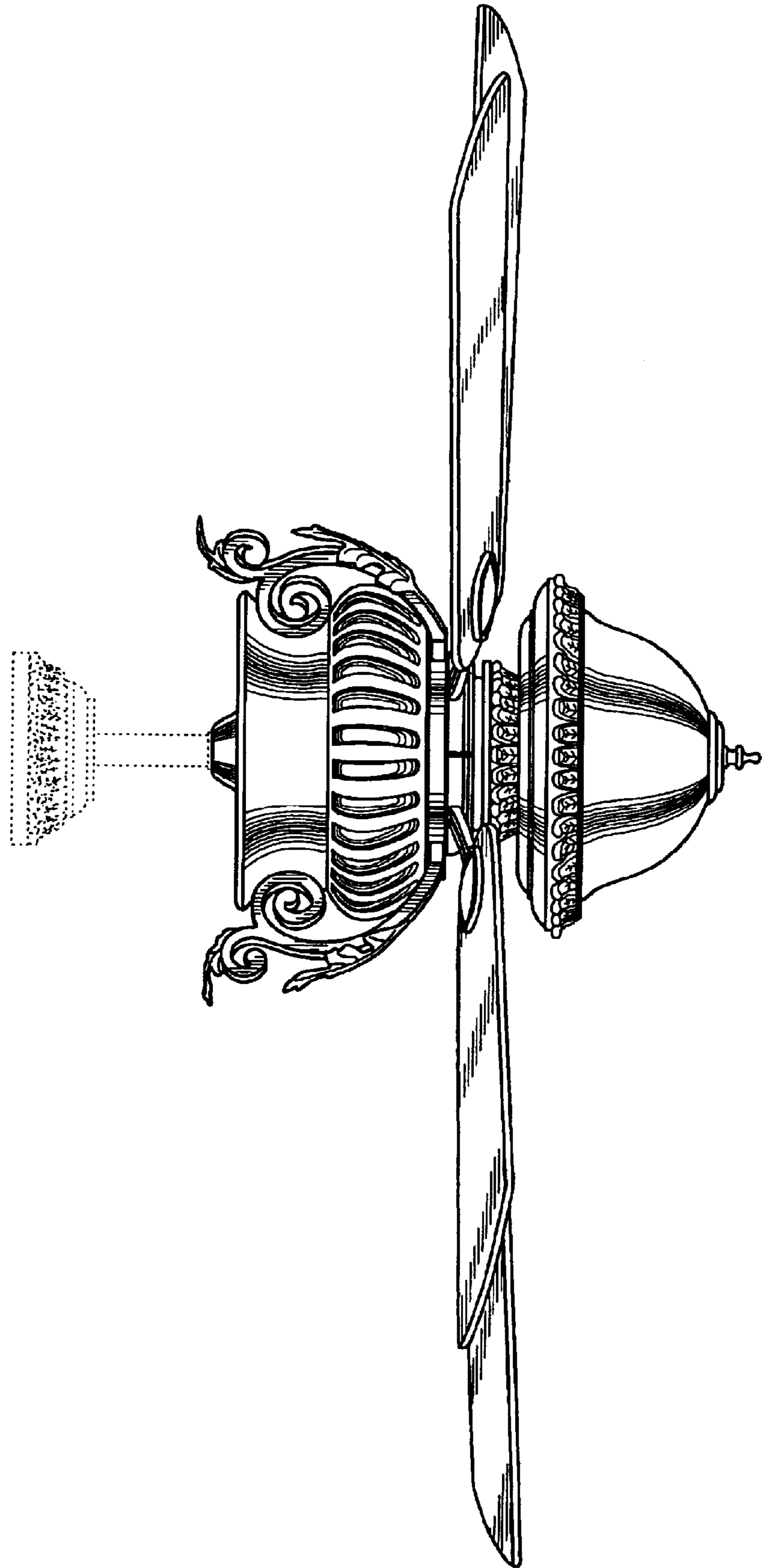


Fig.5

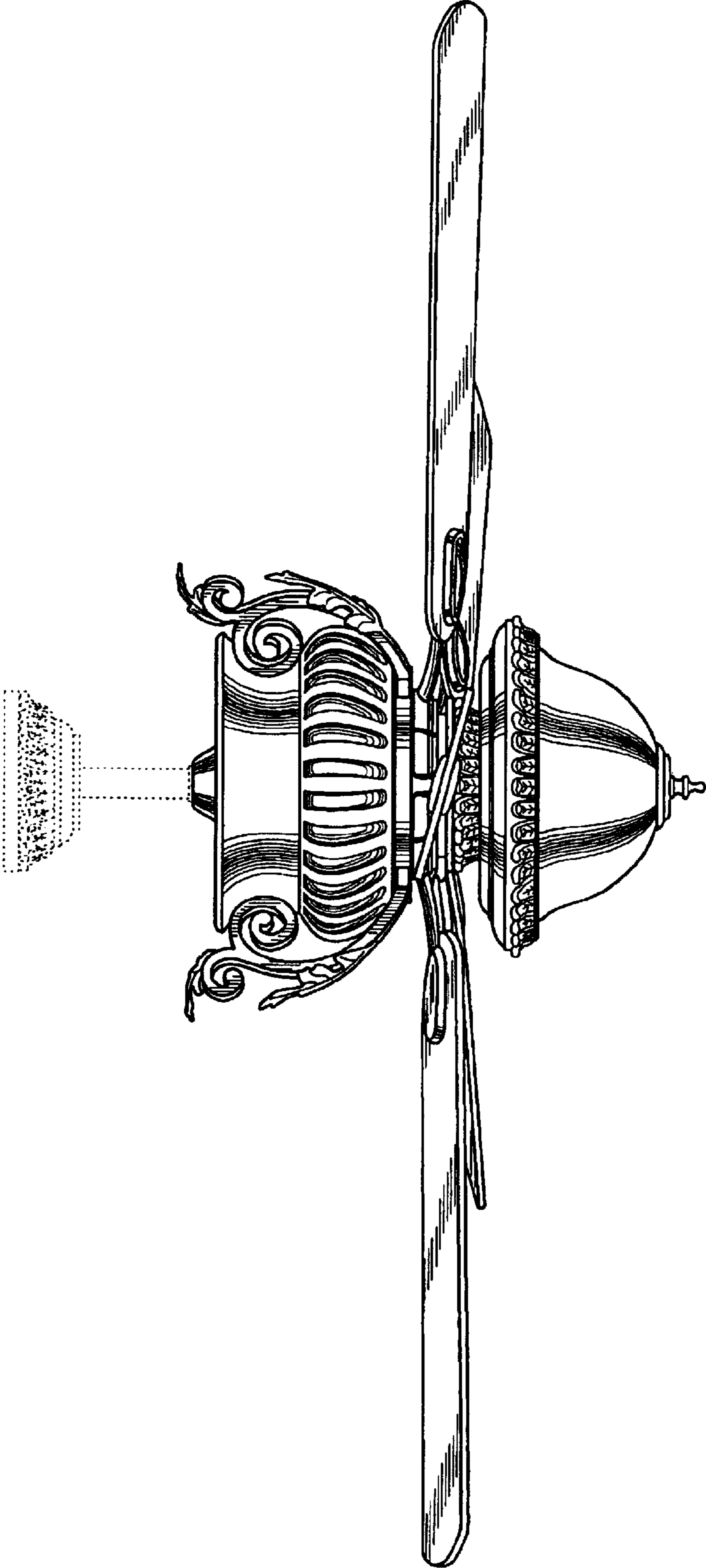


Fig. 6