



US00D508732S

(12) **United States Design Patent**  
**Rivas**

(10) **Patent No.: US D508,732 S**

(45) **Date of Patent: \*\* Aug. 23, 2005**

(54) **TOILET**

D409,735 S \* 5/1999 Svendsen ..... D23/301

(75) **Inventor: Juan Carlos Rivas, Funza (CO)**

\* cited by examiner

(73) **Assignee: Compania Colombiana de Ceramica, Bogota (CO)**

*Primary Examiner*—Robert A. Delehanty

(74) *Attorney, Agent, or Firm*—Howison & Arnott, LLP

(\*\*) **Term: 14 Years**

(57) **CLAIM**

The ornamental design for a toilet, as shown.

(21) **Appl. No.: 29/210,630**

**DESCRIPTION**

(22) **Filed: Aug. 2, 2004**

(51) **LOC (8) Cl. .... 23-02**

FIG. 1 is a perspective view of a toilet showing my new design;

(52) **U.S. Cl. .... D23/301**

FIG. 2 is a front elevation view thereof;

(58) **Field of Search** ..... D23/270, 273-274,  
D23/295-299, 301, 303, 309; 4/663-664,  
300, 329, 420, 661, 443-444, 449, 459,  
460, 905, 465, DIG. 15

FIG. 3 is a left side elevation view thereof;

FIG. 4 is a rear elevation view thereof; and,

FIG. 5 is a top plan view thereof.

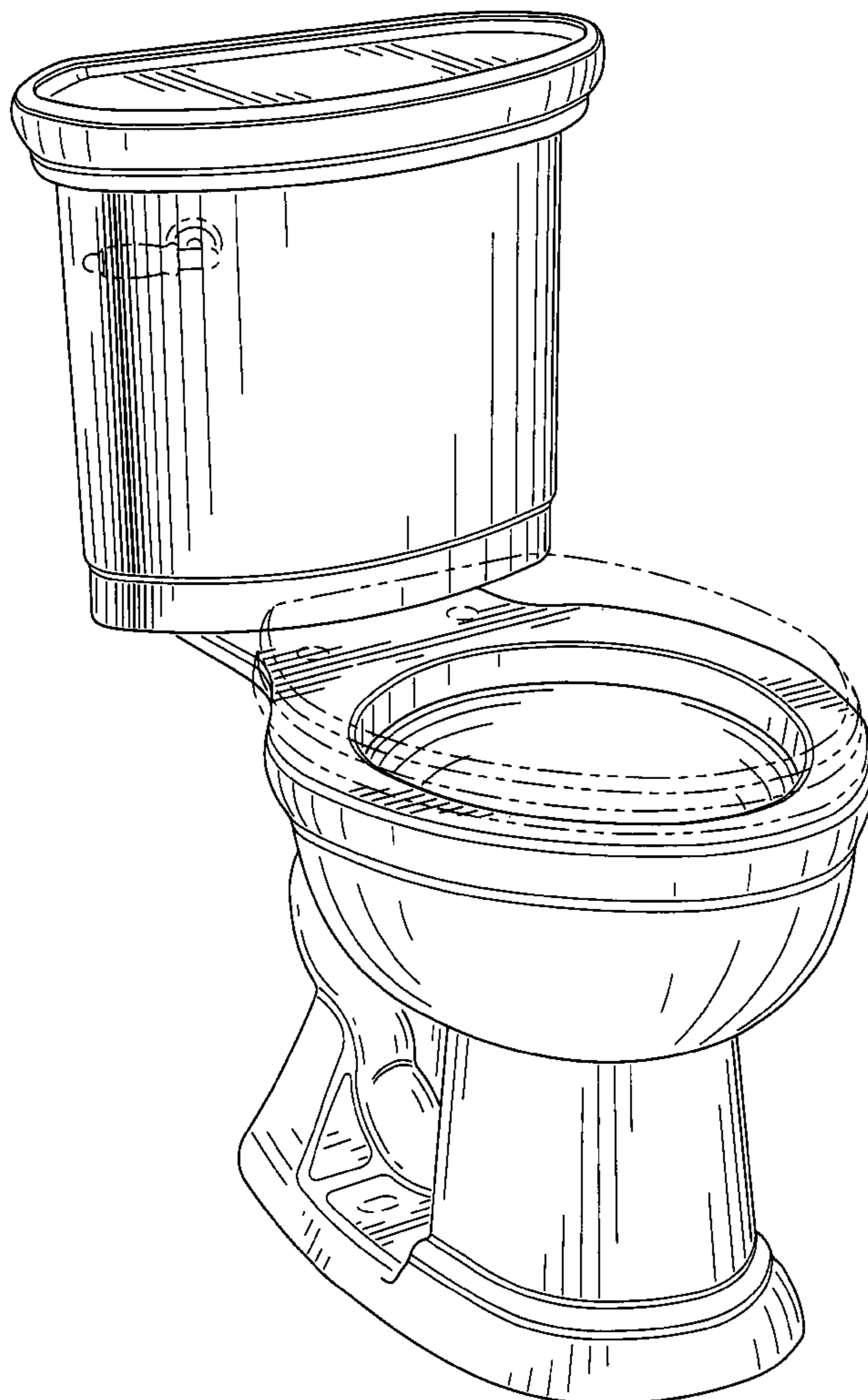
The right side elevation view is a mirror image of the left side. The broken line showing of a flush handle, seat and lid in FIG. 1 are for illustrative purposes only and form no part of the claimed design.

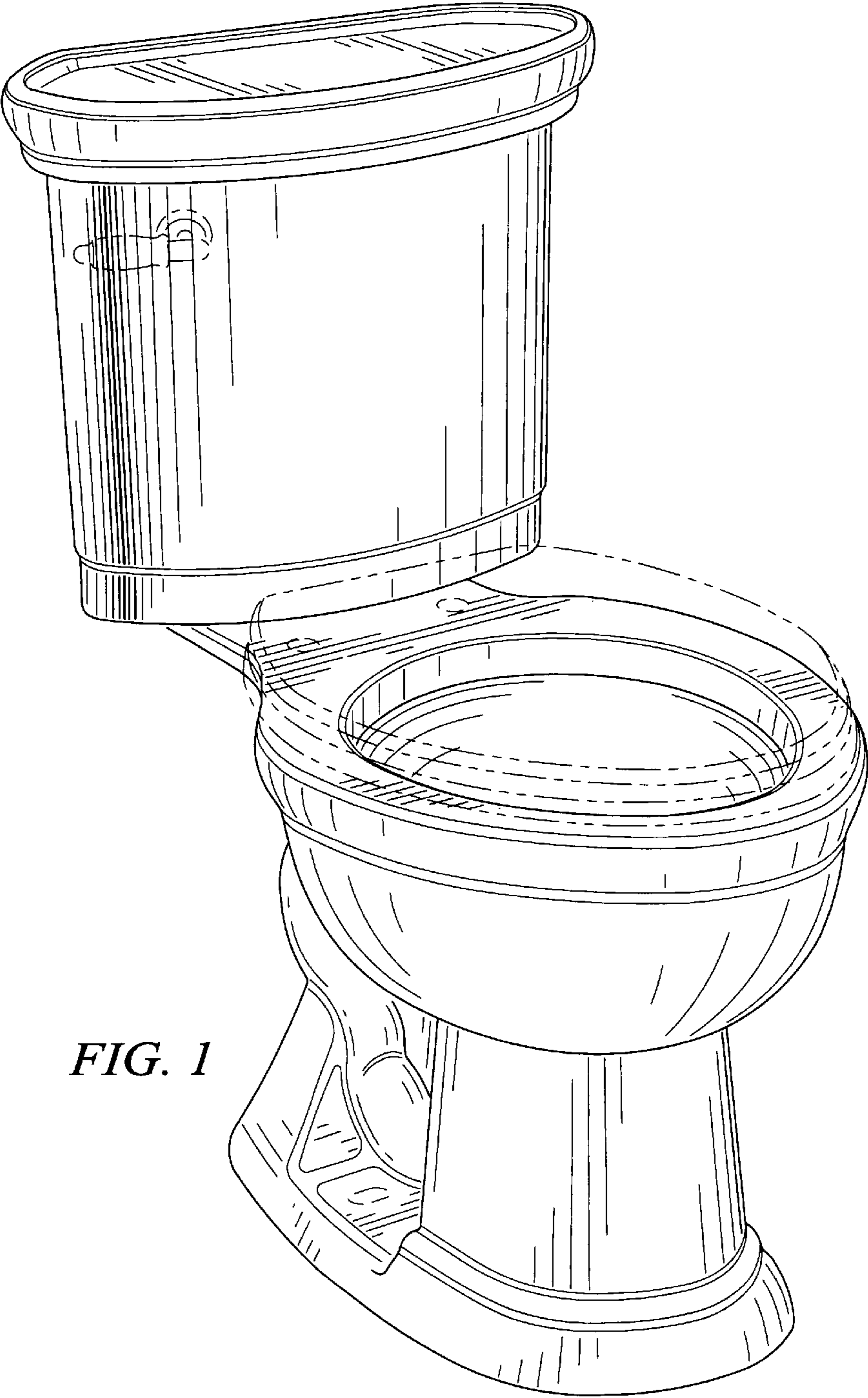
(56) **References Cited**

**U.S. PATENT DOCUMENTS**

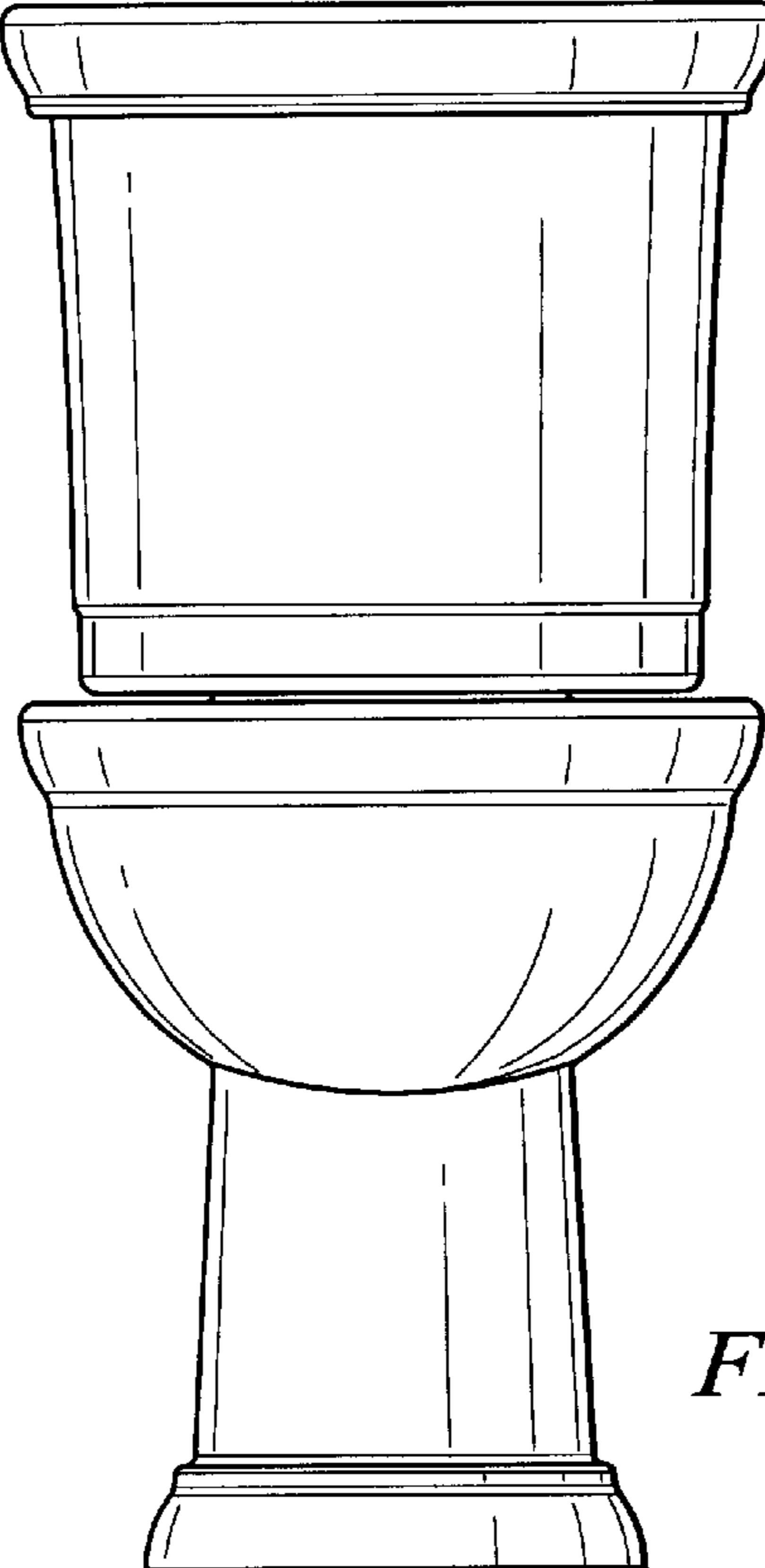
D353,449 S \* 12/1994 Kohler et al. .... D23/295

**1 Claim, 3 Drawing Sheets**

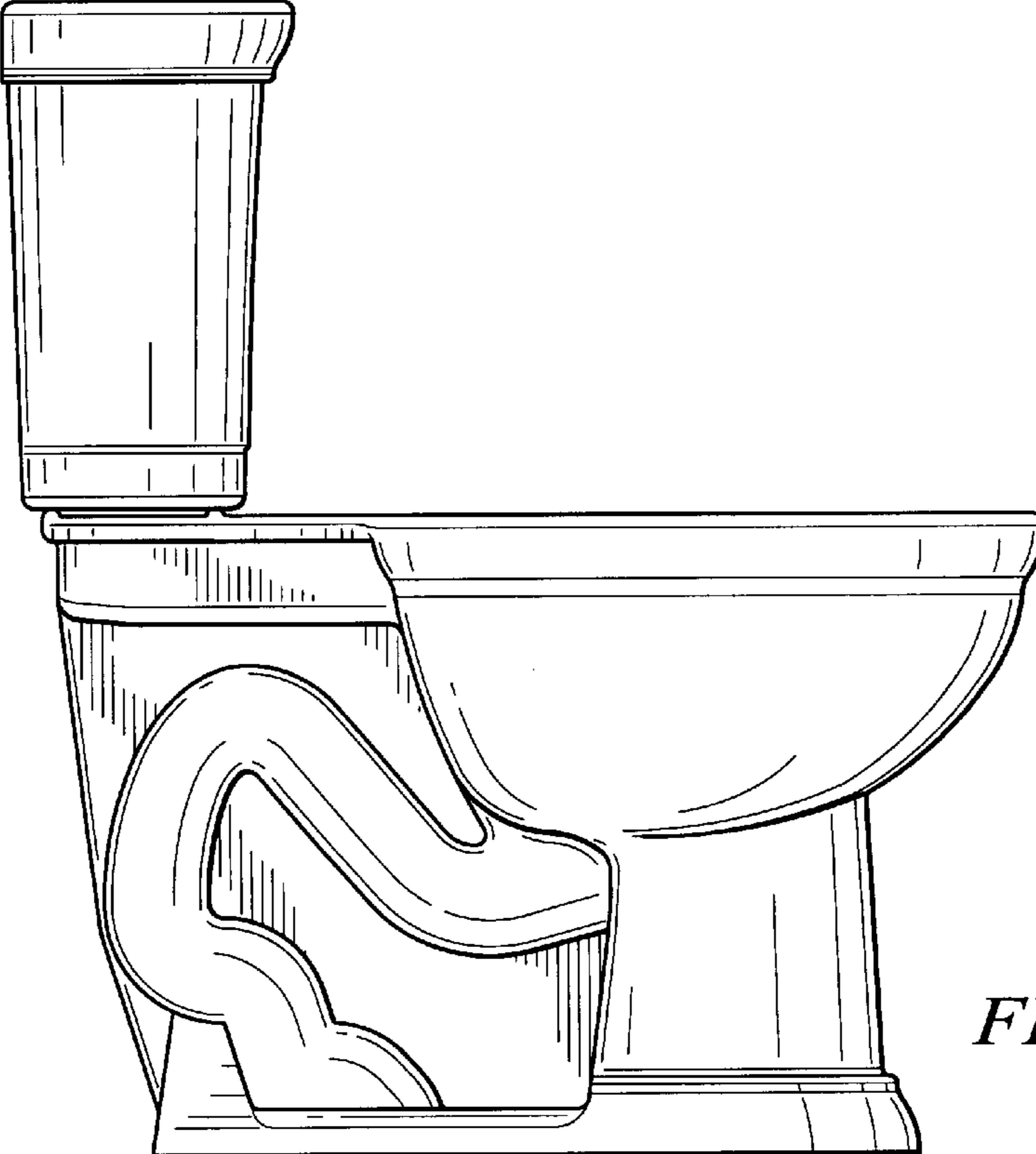




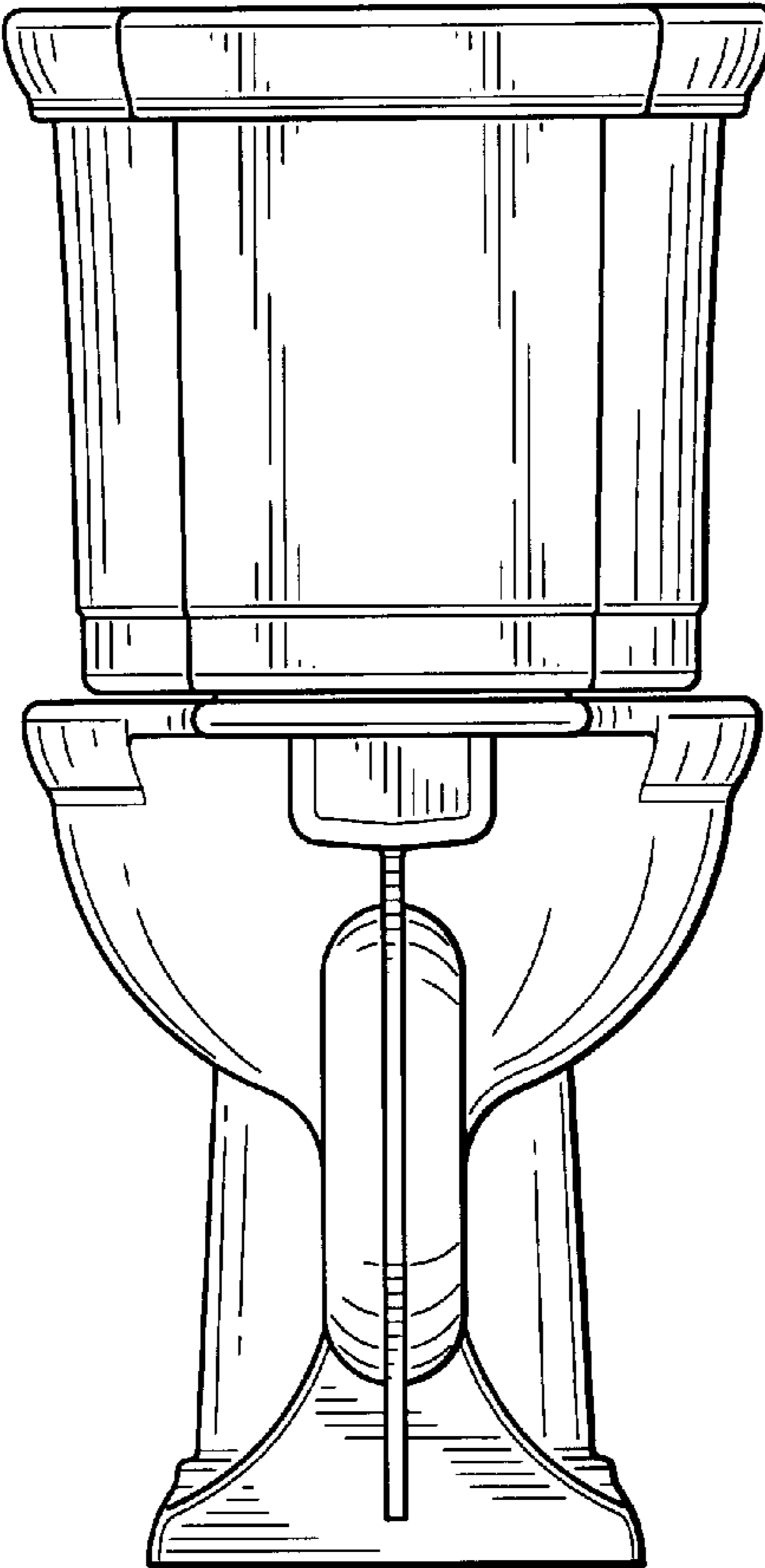
*FIG. 1*



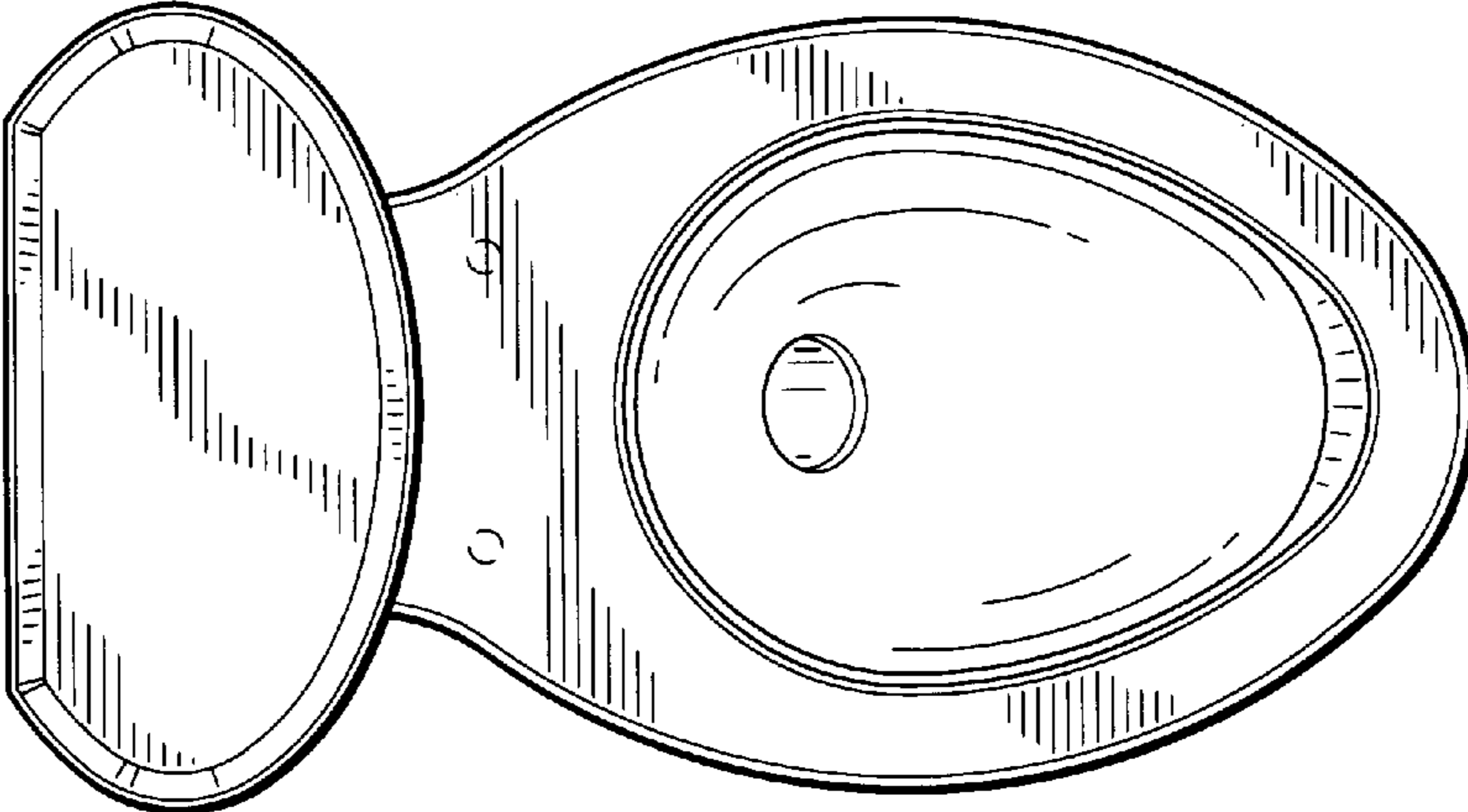
*FIG. 2*



*FIG. 3*



*FIG. 4*



*FIG. 5*