

US00D508730S

(12) **United States Design Patent** (10) **Patent No.:** **US D508,730 S**  
**Blomstrom** (45) **Date of Patent:** **\*\* Aug. 23, 2005**

(54) **SHOWERHEAD**

(75) Inventor: **John K. Blomstrom**, Sheboygan Falls, WI (US)

(73) Assignee: **Kohler Co.**, Kohler, WI (US)

(\*\*) Term: **14 Years**

(21) Appl. No.: **29/216,385**

(22) Filed: **Nov. 2, 2004**

**Related U.S. Application Data**

(62) Division of application No. 29/194,575, filed on Nov. 26, 2003, now Pat. No. Des. 501,242.

(51) **LOC (8) Cl.** ..... **23-01**

(52) **U.S. Cl.** ..... **D23/229**

(58) **Field of Search** ..... D23/213, 229, D23/230, 223; 239/282, 283

(56) **References Cited**

**U.S. PATENT DOCUMENTS**

D261,417 S	10/1981	Klose	
D430,267 S	* 8/2000	Milrud et al.	D23/229
D465,551 S	11/2002	Tse	
D467,638 S	* 12/2002	Lord	D23/229
D475,119 S	5/2003	Colligan et al.	
D475,433 S	6/2003	Citterio	
D487,498 S	3/2004	Blomstrom	
D492,008 S	6/2004	Haug et al.	
D501,242 S	* 1/2005	Blomstrom	D23/229
2001/0008256 A1	7/2001	Marsh et al.	

**OTHER PUBLICATIONS**

2001 Kallista catalog ad showing a “Hampstead” wall bath set.

Undated Kohler catalog ad showing “Fairfax” handle escutcheon, admitted prior art.

1991 Kallista catalog ad showing a “Magnum Raindome” showerhead.

1999 Kallista catalog ad, p. 57, showing a “Hampstead” showerhead.

Undated Harden catalog ad, p. 74, showing various showerheads.

Sep. 2003 Kohler catalog ad, p. 2.71, showing a “Forte” showerhead.

\* cited by examiner

*Primary Examiner*—Robin V. Taylor

(74) *Attorney, Agent, or Firm*—Quarles & Brady LLP

(57) **CLAIM**

The ornamental design for a showerhead, as shown and described.

**DESCRIPTION**

FIG. 1 is a left, top, front perspective view of a showerhead embodying my new design;

FIG. 2 is a front elevational view thereof;

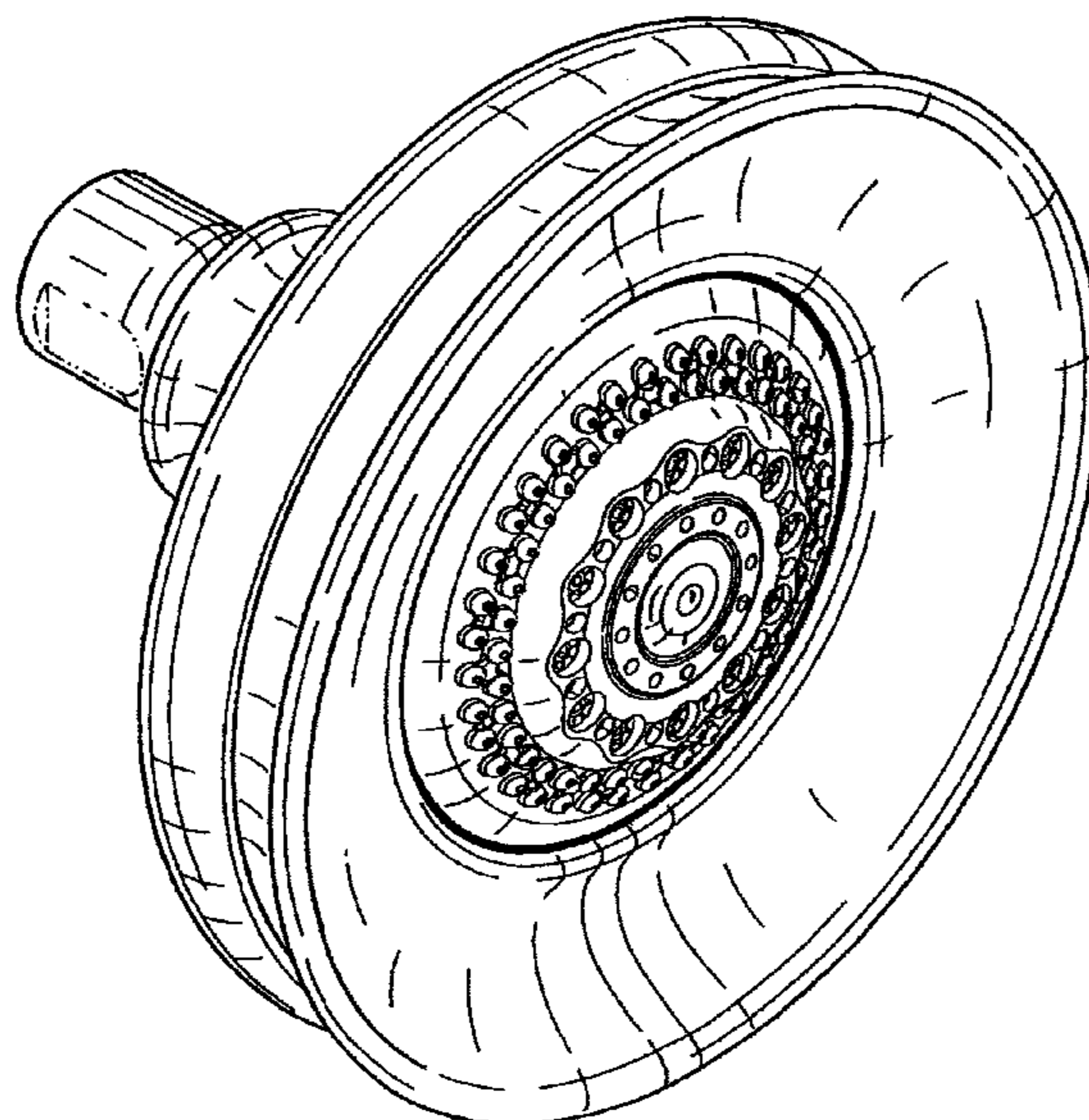
FIG. 3 is a left side elevational view thereof, the right side elevational view thereof being a mirror image of the left side shown;

FIG. 4 is a top plan view thereof, the bottom plan view thereof being a mirror image of the top plan view shown; and,

FIG. 5 is a rear elevational view thereof.

The broken line representations of a notch in FIGS. 1 and 3 and of a mounting structure in FIG. 5, are for the purpose of illustration only, and form no part of the claimed design.

**1 Claim, 3 Drawing Sheets**



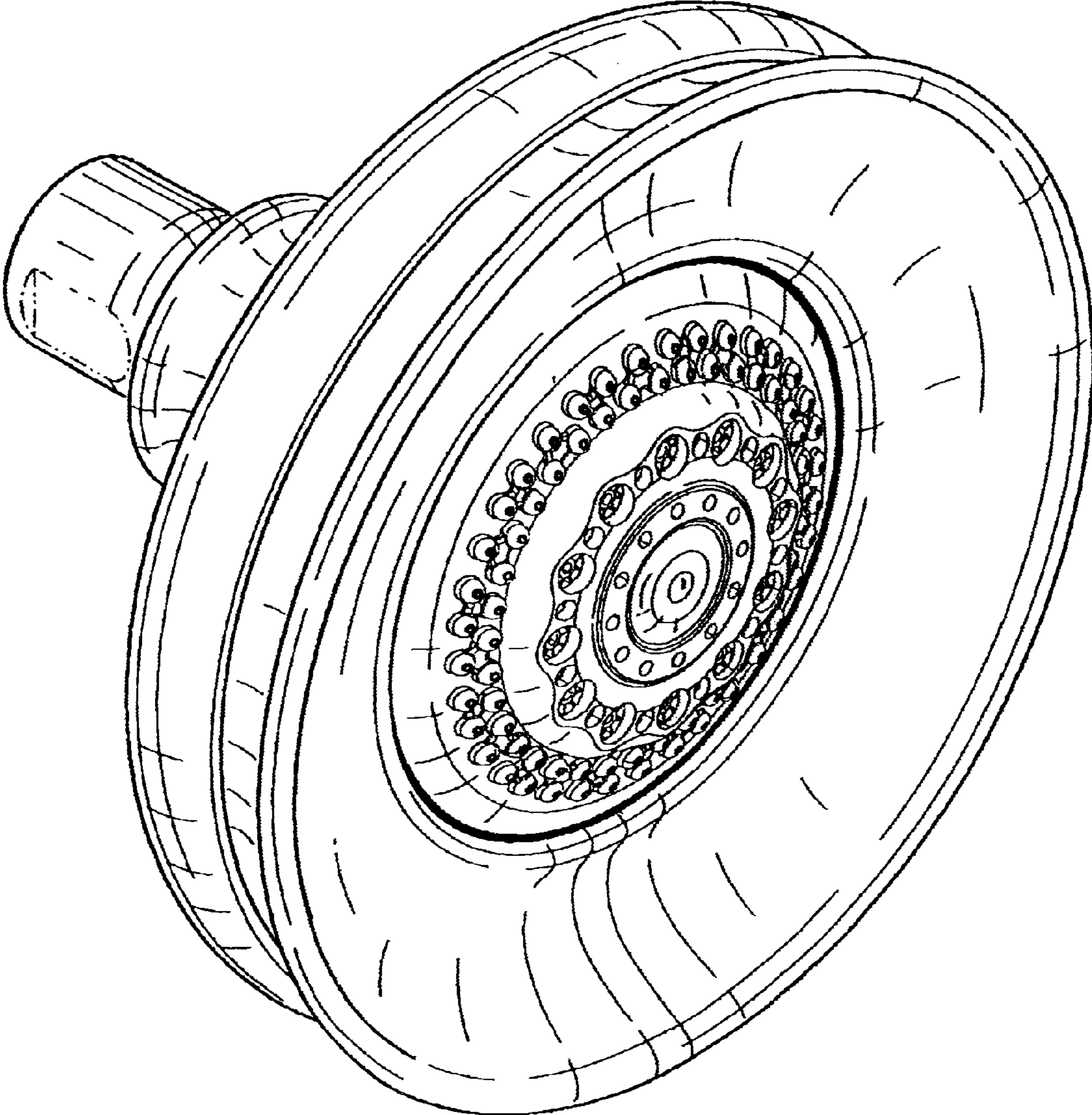


FIG. 1

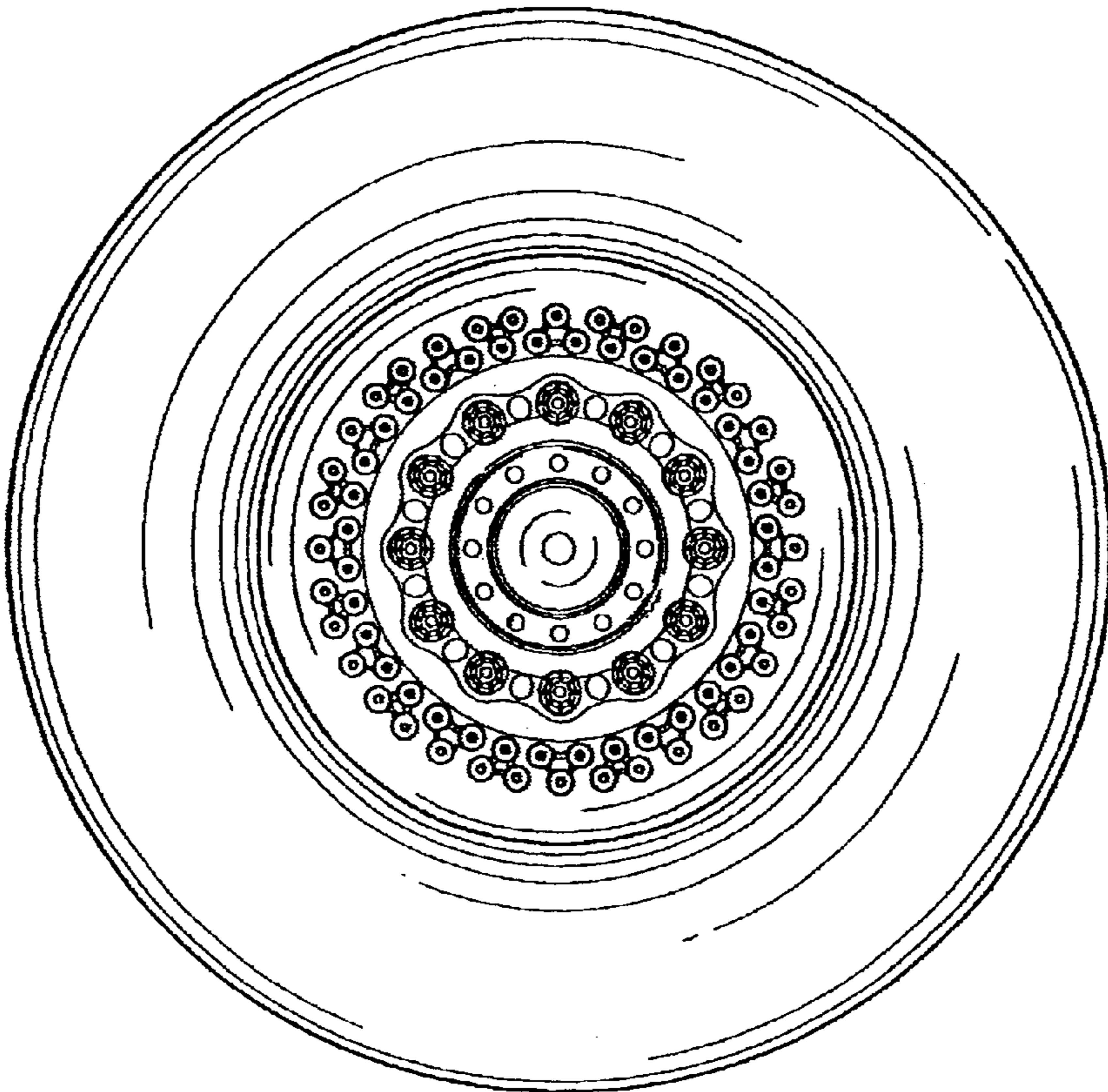


FIG. 2

FIG. 3

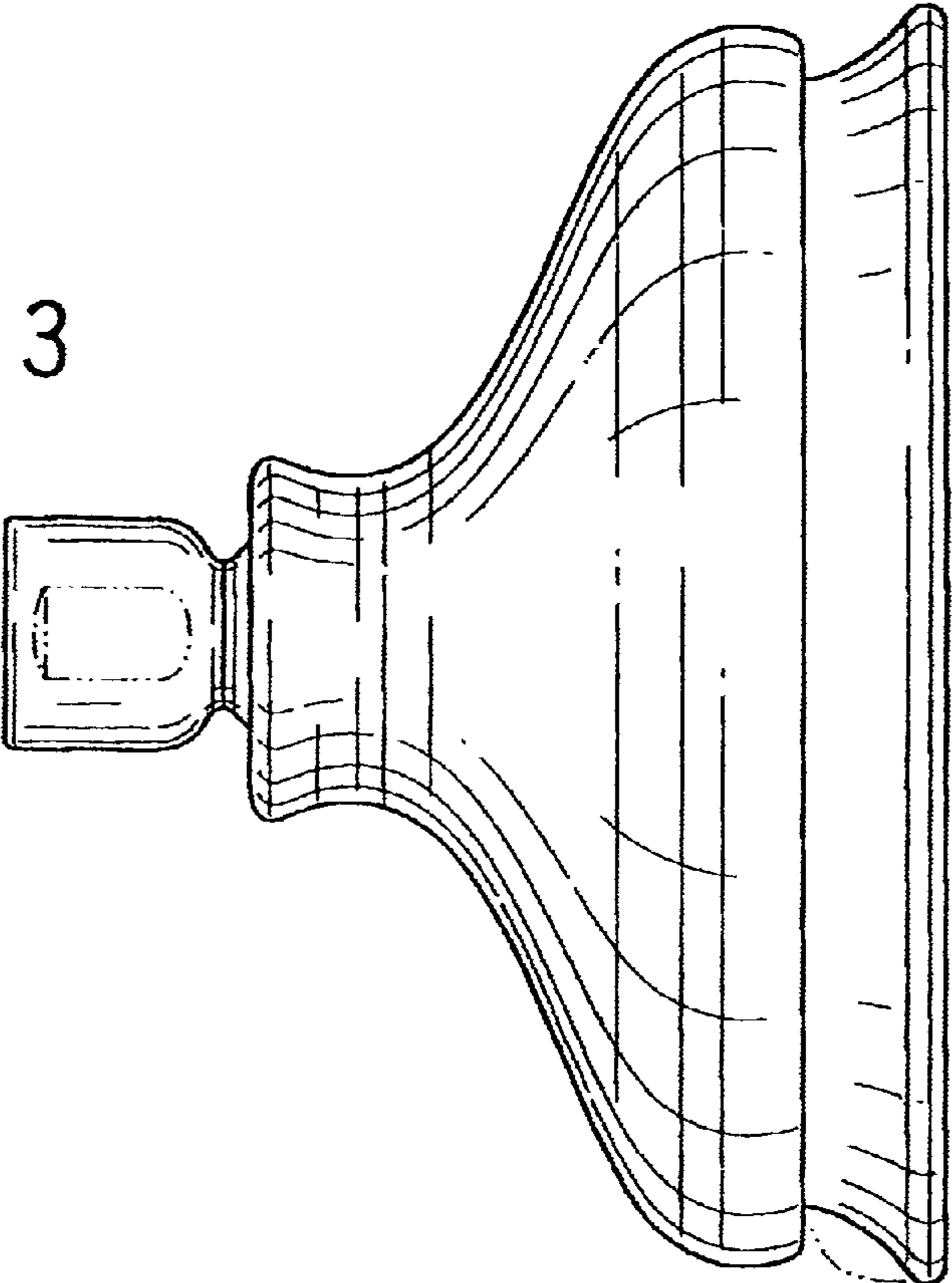


FIG. 4

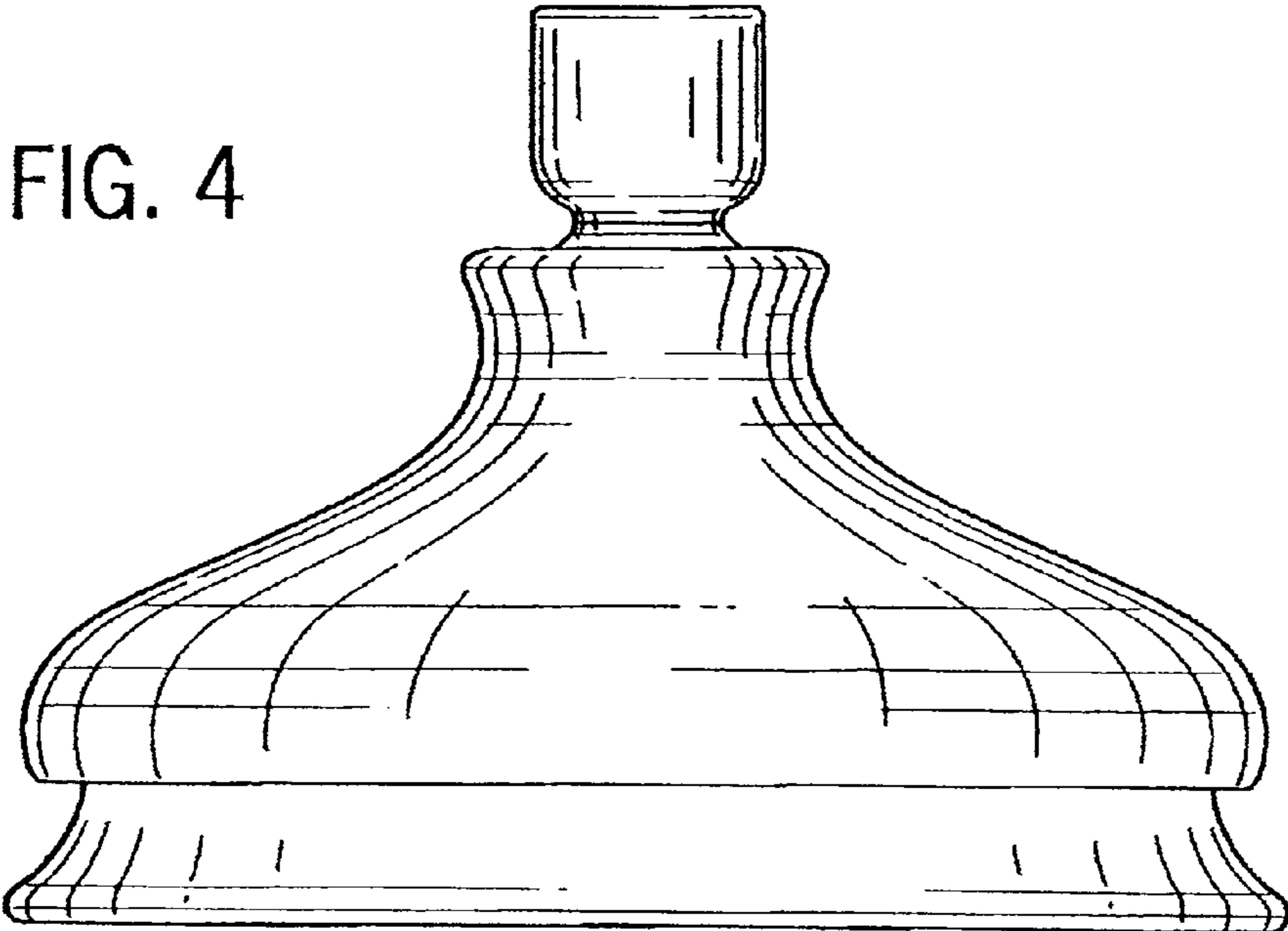


FIG. 5

