

US00D508728S

(12) **United States Design Patent** (10) **Patent No.:** **US D508,728 S**
Kobi et al. (45) **Date of Patent:** **** Aug. 23, 2005**

(54) **COMBINATION HANDHELD SHOWERHEAD**

(75) Inventors: **Rafael Kobi**, Hod-Hasharon (IL);
Shachar Golan, Walled Lake, MI (US);
Mordechai Lev, West Bloomfield, MI (US)

(73) Assignee: **Alsons Corporation**, Hillsdale, MI (US)

(**) Term: **14 Years**

(21) Appl. No.: **29/204,783**

(22) Filed: **May 4, 2004**

(51) **LOC (8) Cl.** **23-01**

(52) **U.S. Cl.** **D23/213; D23/229; D23/223**

(58) **Field of Search** **D23/213, 223, D23/229, 230; 239/394, 282, 283**

(56) **References Cited**

U.S. PATENT DOCUMENTS

| | | | | |
|-----------|---|----------|---------------|---------------|
| 1,078,283 | A | 11/1913 | Hilfiker | |
| 1,446,887 | A | 2/1923 | Donovan | |
| 1,893,435 | A | 1/1933 | Neal | |
| 2,073,307 | A | * 3/1937 | Isenberg | 239/282 |
| 2,588,255 | A | 3/1952 | Larsh | |
| 3,471,872 | A | 10/1969 | Symmons | |
| 4,091,998 | A | * 5/1978 | Peterson | 239/283 |
| 4,303,201 | A | 12/1981 | Elkins et al. | |
| 4,752,975 | A | 6/1988 | Yates | |
| 4,914,759 | A | * 4/1990 | Goff | 4/605 |
| 4,956,883 | A | 9/1990 | Lane | |

| | | | | |
|--------------|----|-----------|---------------------|---------------|
| 5,012,536 | A | 5/1991 | Rivera | |
| 5,148,556 | A | 9/1992 | Bottoms, Jr. et al. | |
| 5,339,469 | A | 8/1994 | Gilles | |
| D385,332 | S | 10/1997 | Andrus | |
| 5,788,160 | A | * 8/1998 | Woog | 239/282 |
| D418,200 | S | * 12/1999 | Ben-Tsur | D23/223 |
| D433,097 | S | 10/2000 | Tse | |
| 6,286,158 | B1 | 9/2001 | Lin | |
| D454,617 | S | 3/2002 | Curbbun et al. | |
| D465,262 | S | 11/2002 | Hunter et al. | |
| D492,004 | S | * 6/2004 | Haug et al. | D23/213 |
| 2002/0109023 | A1 | 8/2002 | Thomas et al. | |

* cited by examiner

Primary Examiner—Robin V. Taylor

(74) *Attorney, Agent, or Firm*—Edgar A. Zarins; Lloyd D. Doigan

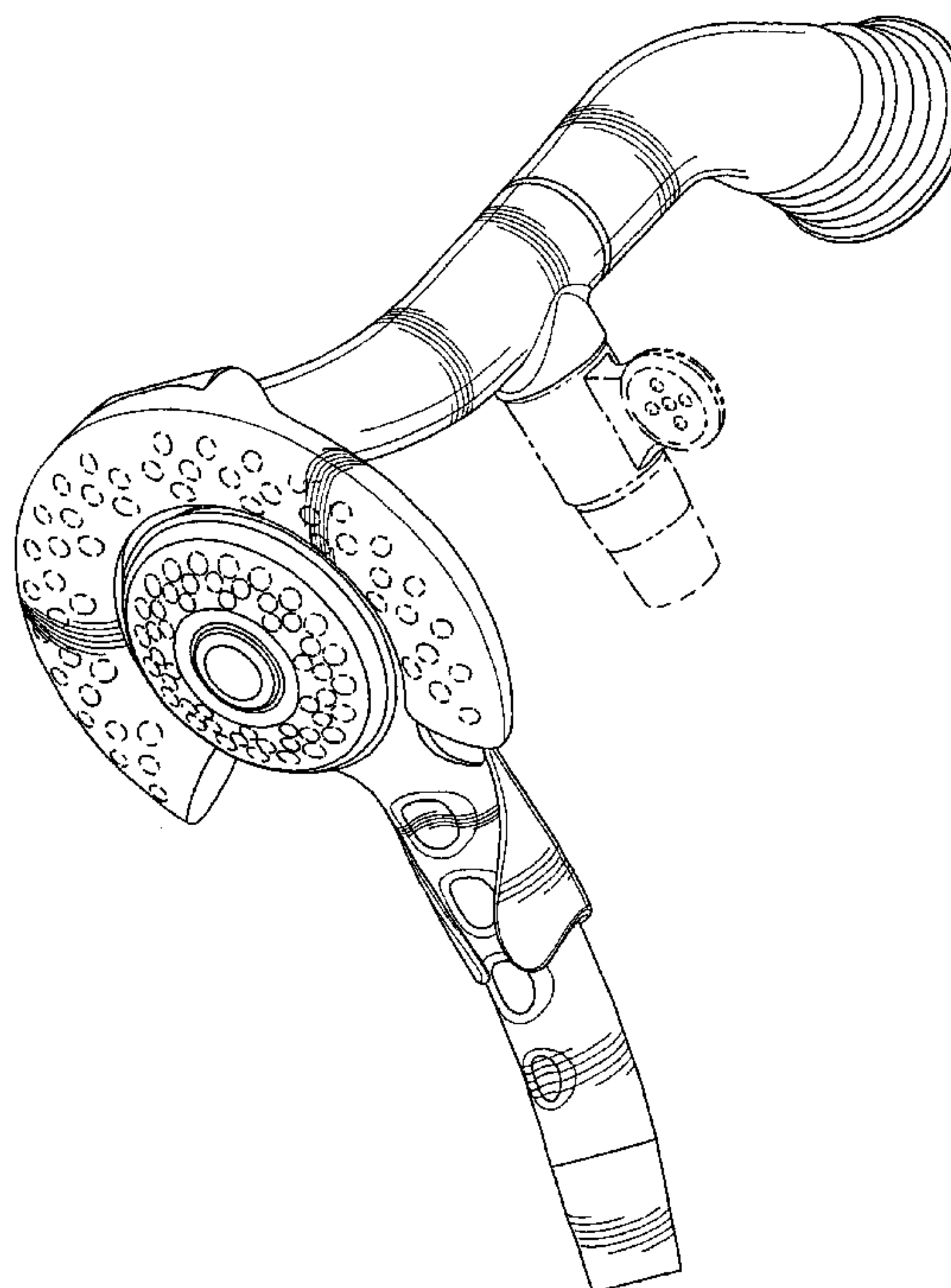
(57) **CLAIM**

The ornamental design for a combination handheld showerhead, as shown and described.

DESCRIPTION

FIG. 1 is a perspective view of a combination handheld showerhead showing our new design;
 FIG. 2 is a left side view thereof;
 FIG. 3 is a right view thereof;
 FIG. 4 is a front elevational view thereof; and,
 FIG. 5 is a rear view thereof.
 The broken line showing is for illustrative purposes only and forms no part of the claimed design.

1 Claim, 4 Drawing Sheets



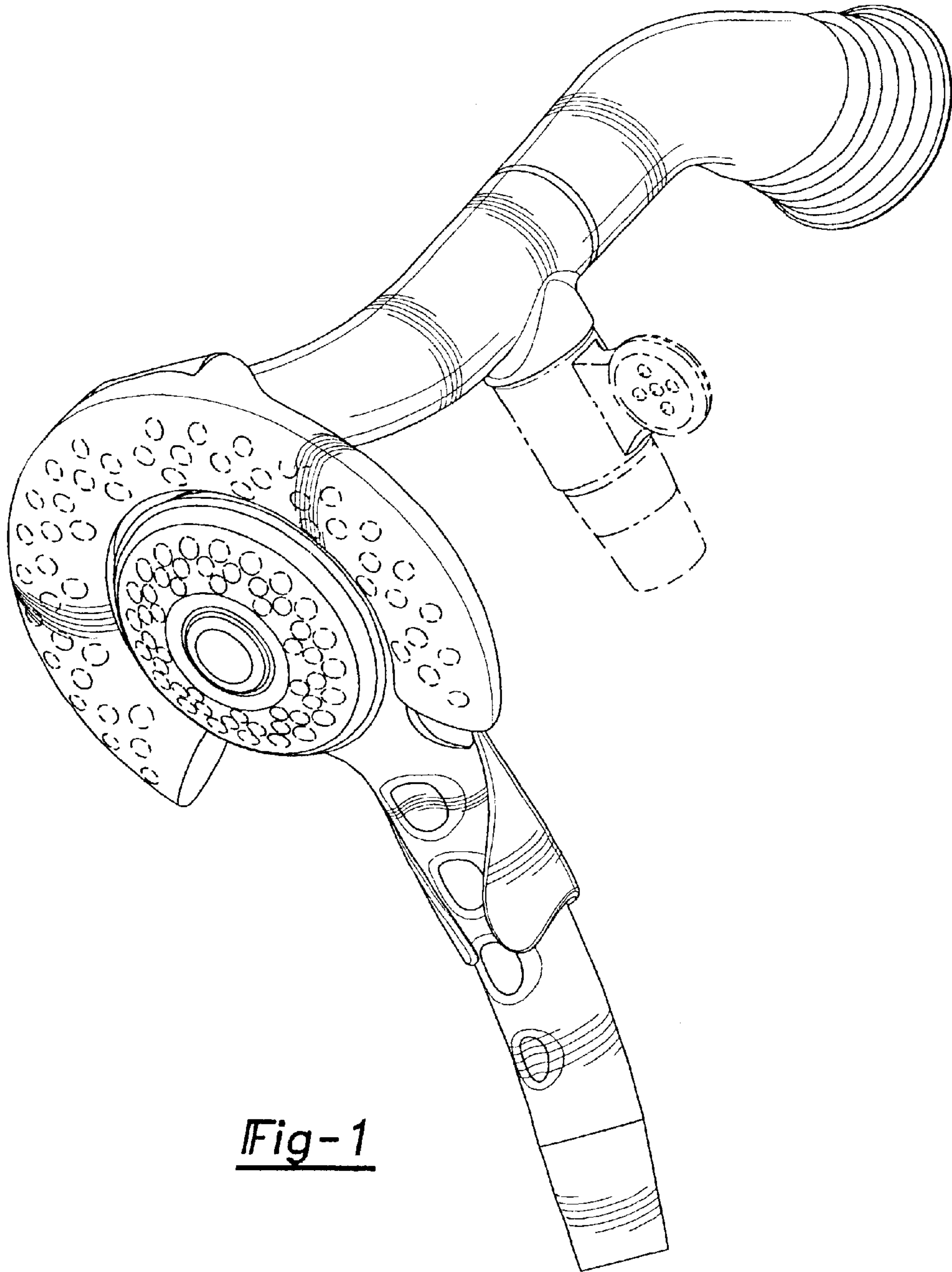


Fig-1

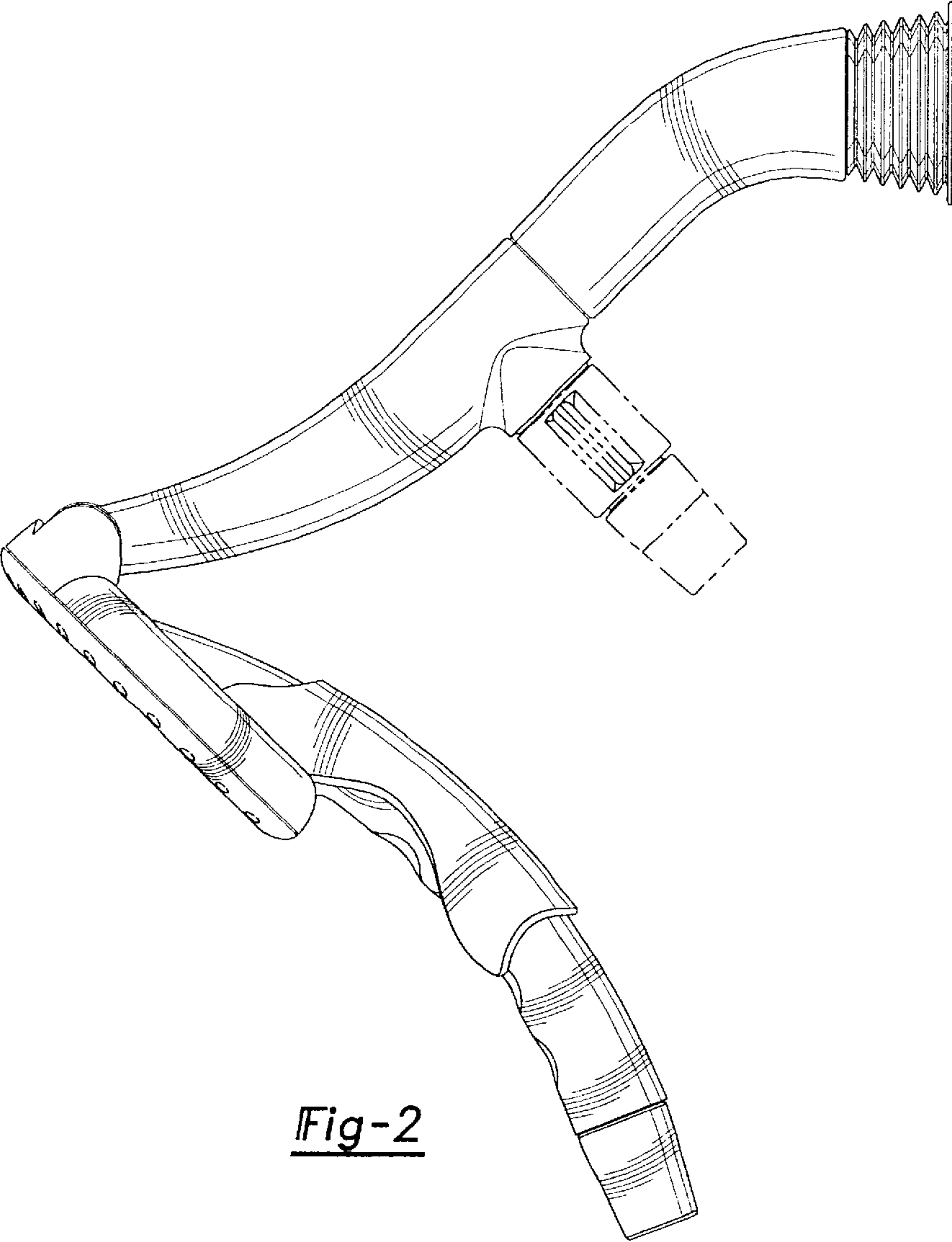


Fig-2

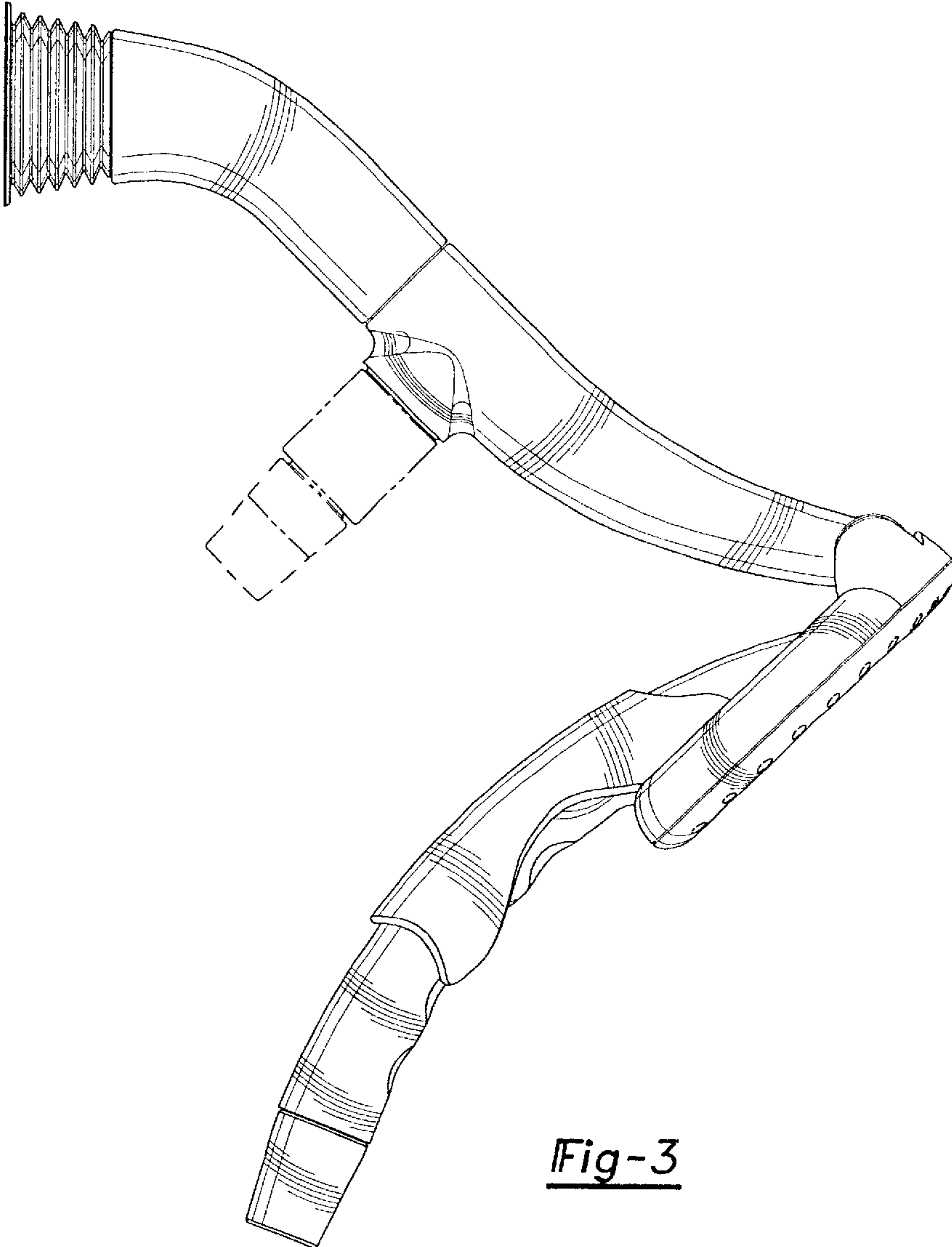


Fig-3

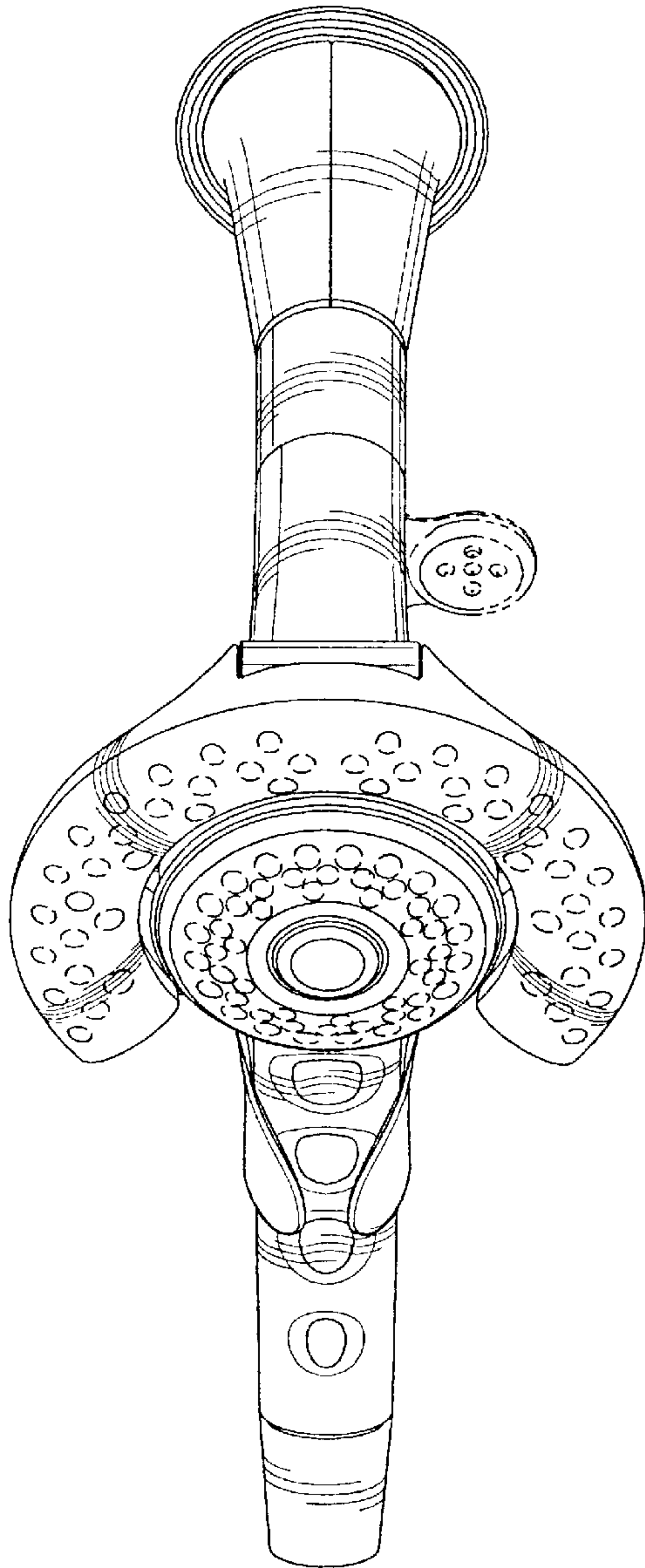


Fig-4

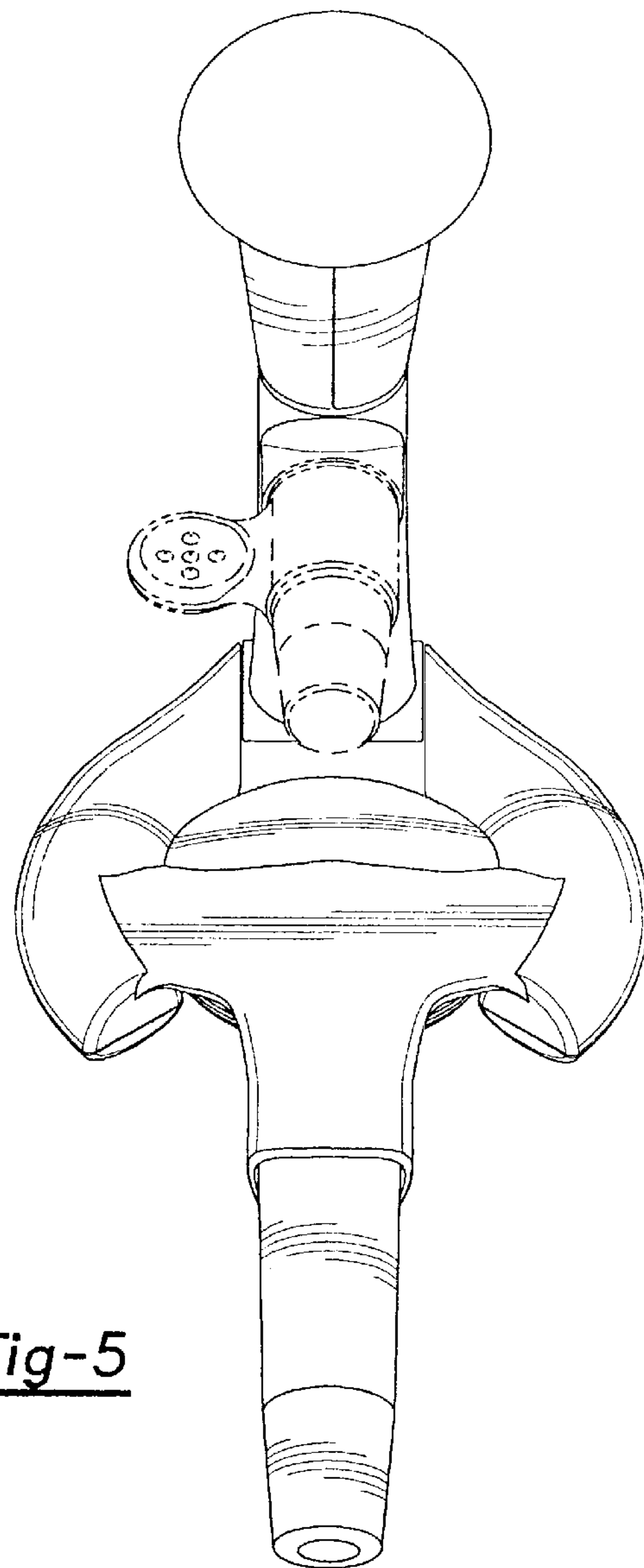


Fig-5