

US00D508727S

(12) **United States Design Patent**
Peters

(10) **Patent No.:** **US D508,727 S**

(45) **Date of Patent:** **** Aug. 23, 2005**

(54) **QUICK CHANGE GIMBEL CUP**

(76) **Inventor:** **Samuel Morgan Peters**, 27 Magazine Ave., Savannah, GA (US) 31401

(**) **Term:** **14 Years**

(21) **Appl. No.:** **29/213,528**

(22) **Filed:** **Sep. 17, 2004**

(51) **LOC (8) Cl.** **22-99**

(52) **U.S. Cl.** **D22/147; D12/133**

(58) **Field of Search** **D22/147-148;**
D12/128-133; D3/221; 224/267, 922; 43/21.2;
248/515-538

(56) **References Cited**

U.S. PATENT DOCUMENTS

D464,705 S	*	10/2002	Ratliffe	D22/147
D476,716 S	*	7/2003	Wegman	D22/147
D483,436 S	*	12/2003	Tull	D22/147

* cited by examiner

Primary Examiner—Marcus A. Jackson
(74) *Attorney, Agent, or Firm*—McHale & Slavin, P.A.

(57) **CLAIM**

The ornamental design for a quick change gimbel cup, as shown and described.

DESCRIPTION

FIG. 1 is a perspective view of the quick change gimbel cup of the instant invention;

FIG. 2 is a front elevation view thereof;

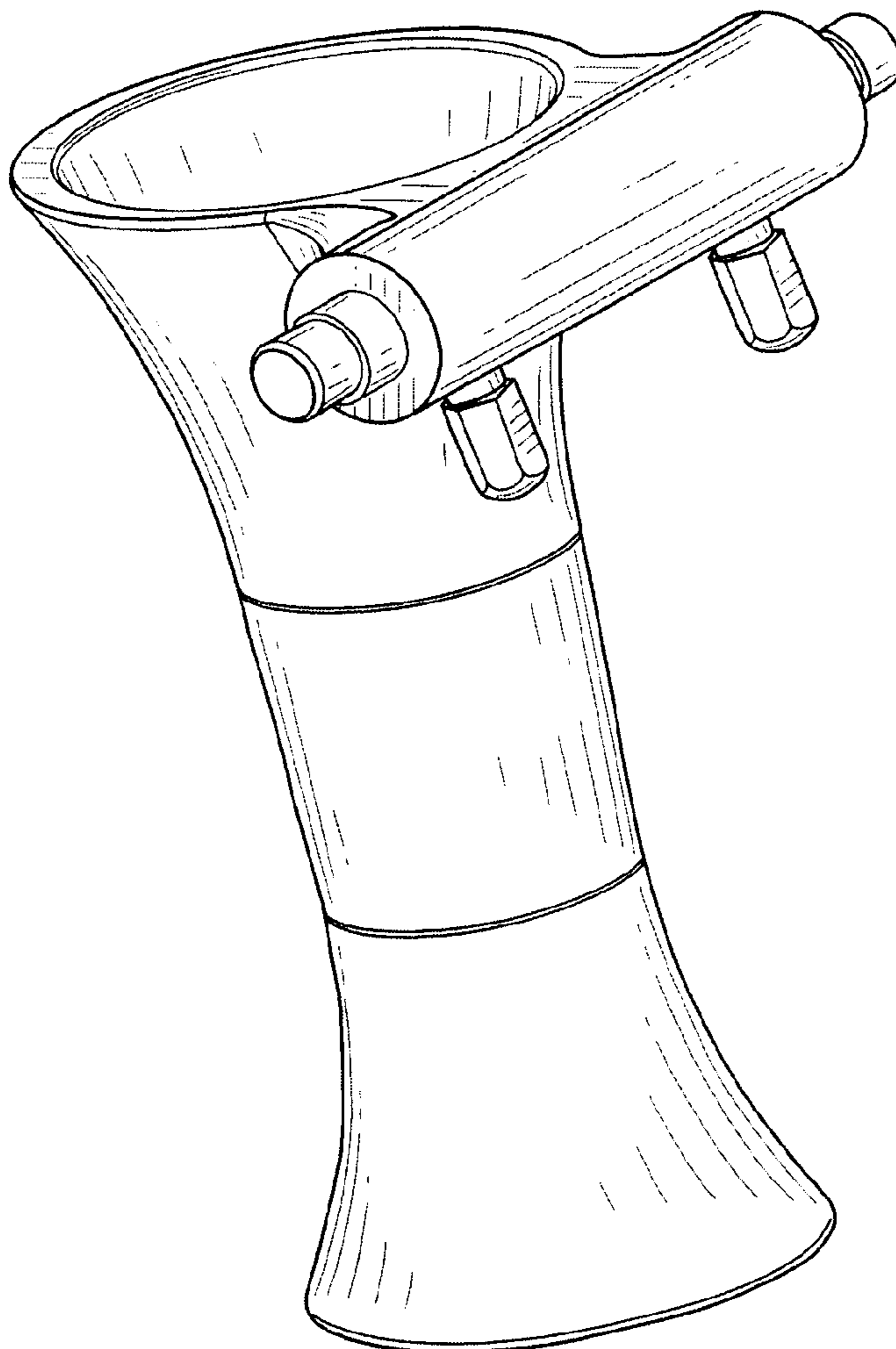
FIG. 3 is a left side view thereof, the right side forming a mirror image thereof;

FIG. 4 is a rear view thereof;

FIG. 5 is a top view thereof; and,

FIG. 6 is a bottom view thereof.

1 Claim, 5 Drawing Sheets



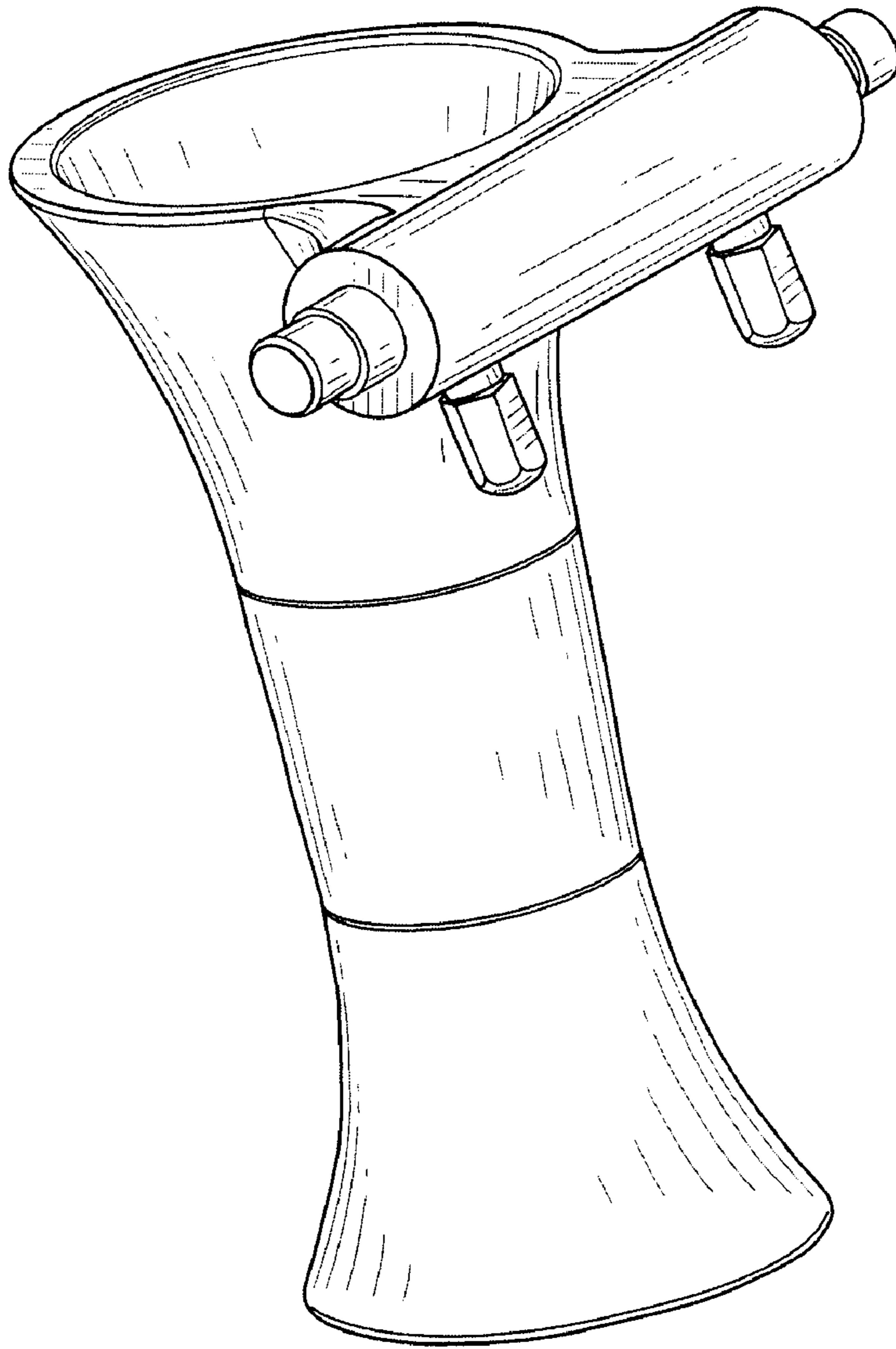


FIG. 1

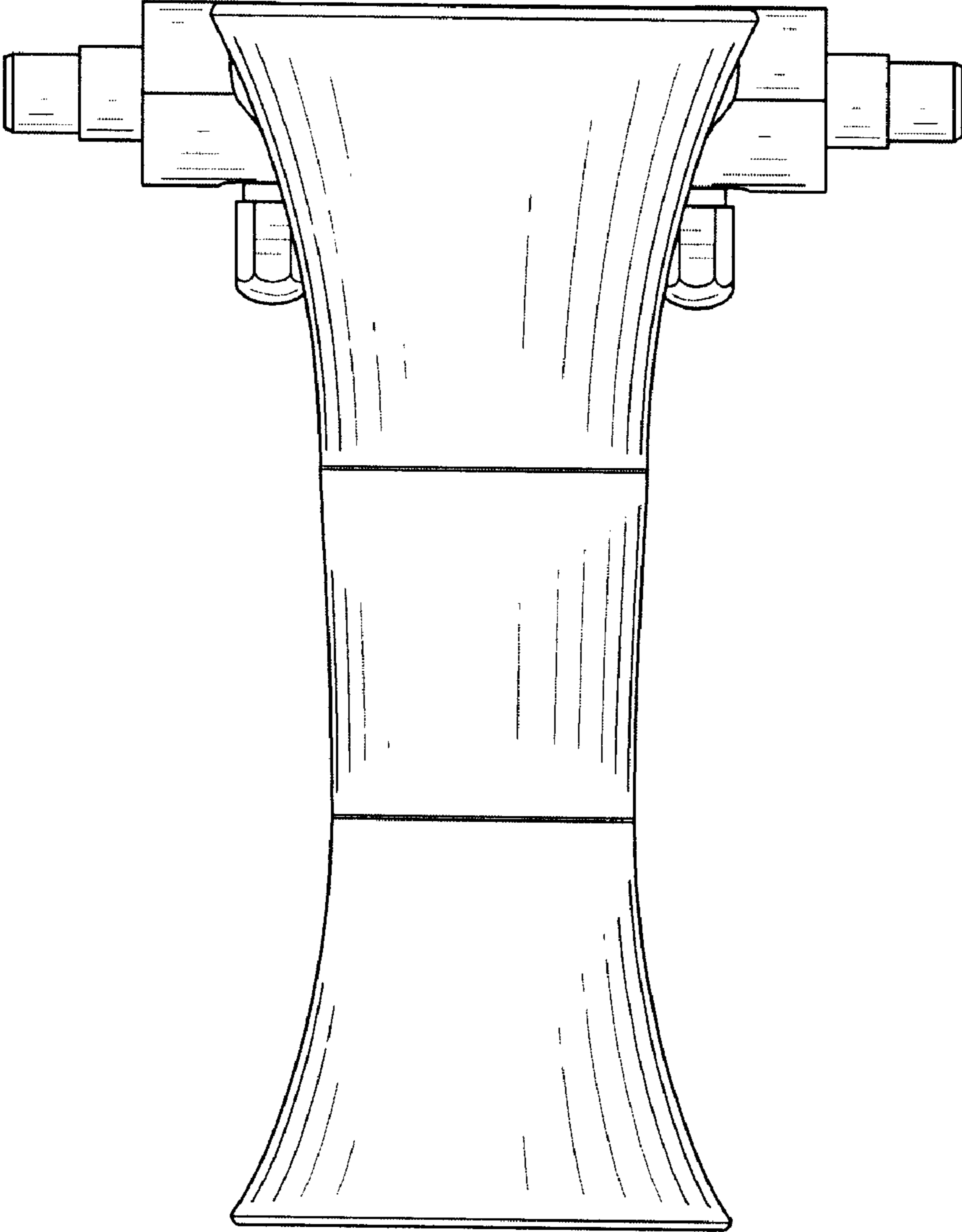


FIG. 2

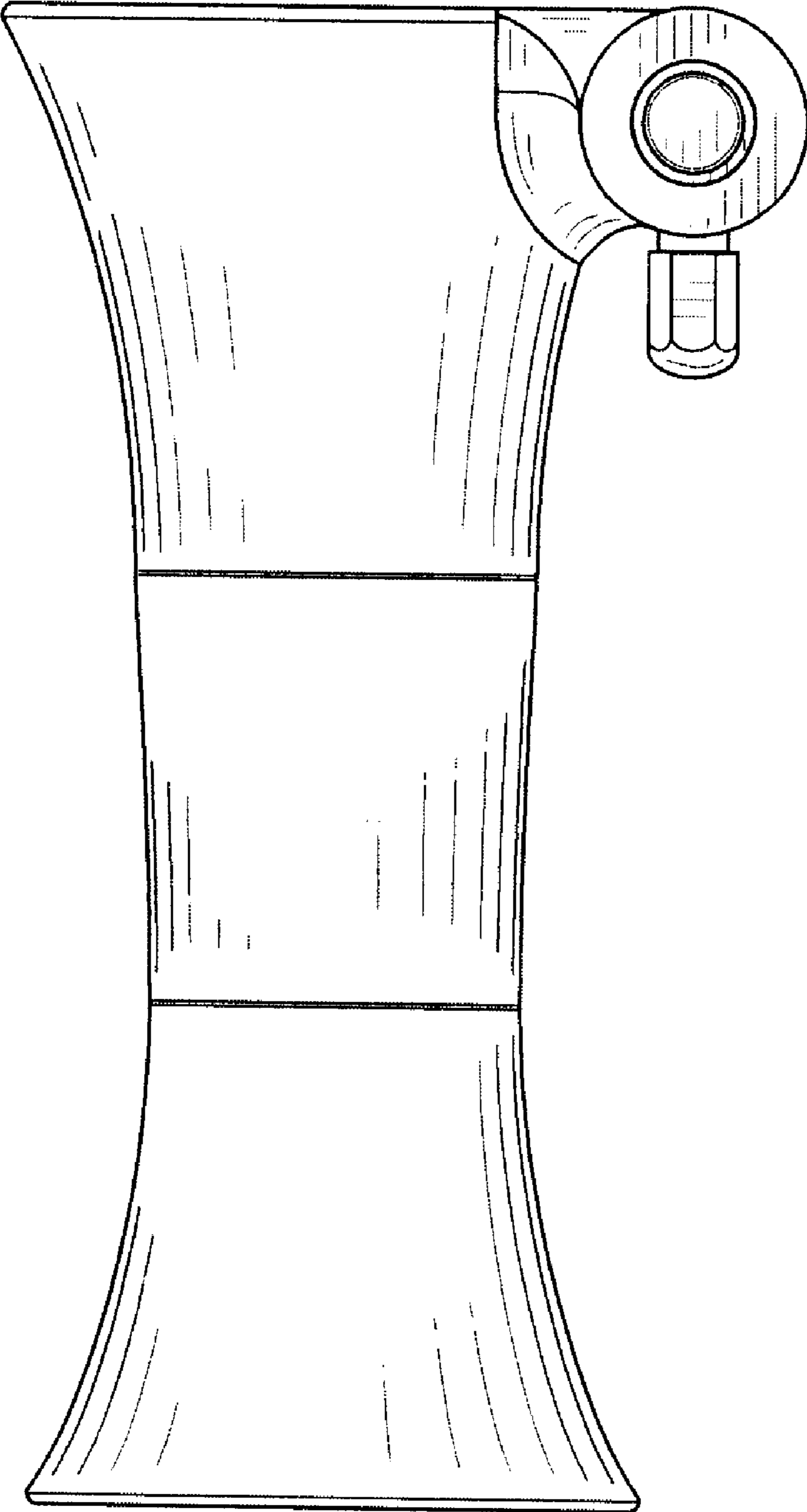


FIG. 3

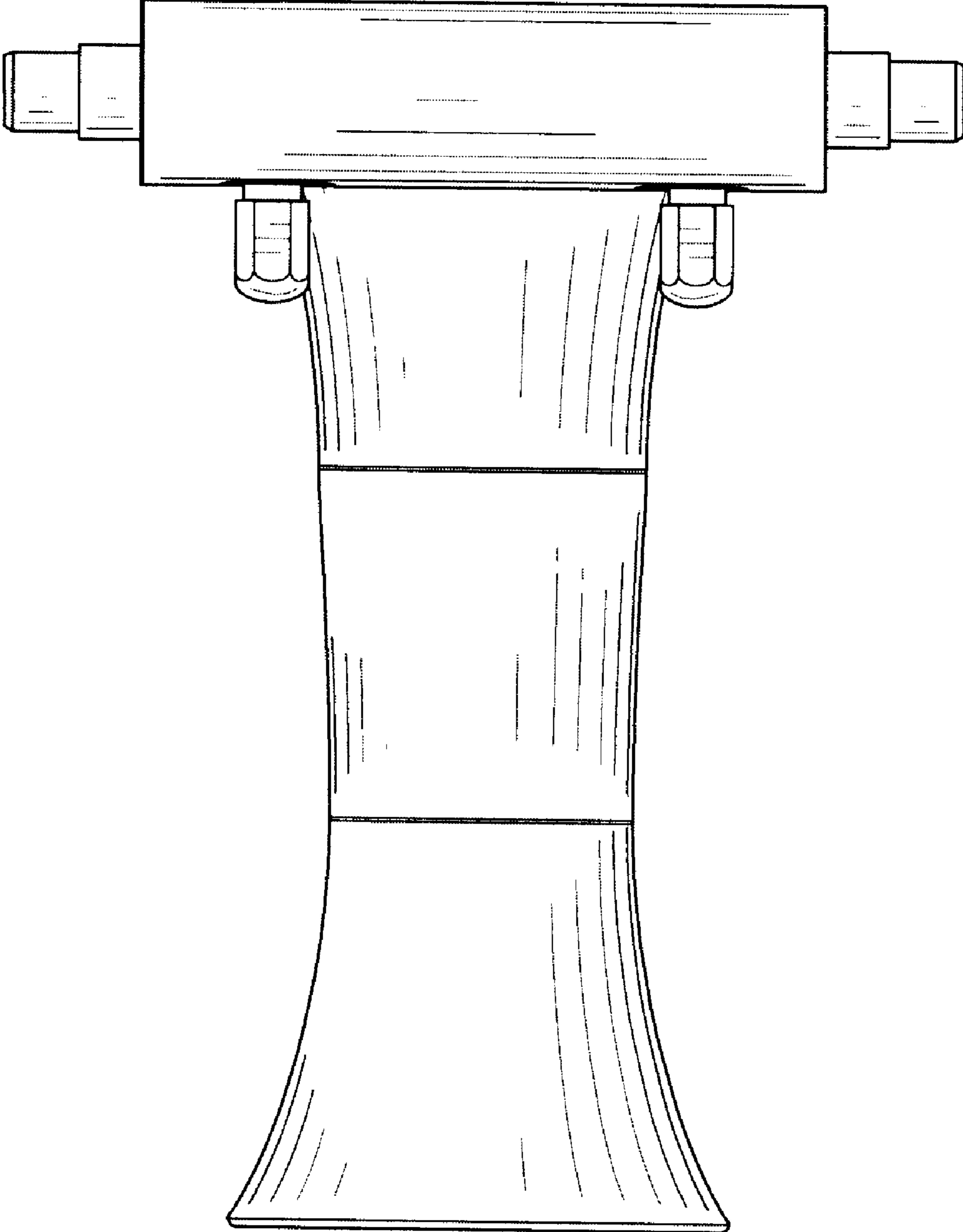


FIG. 4

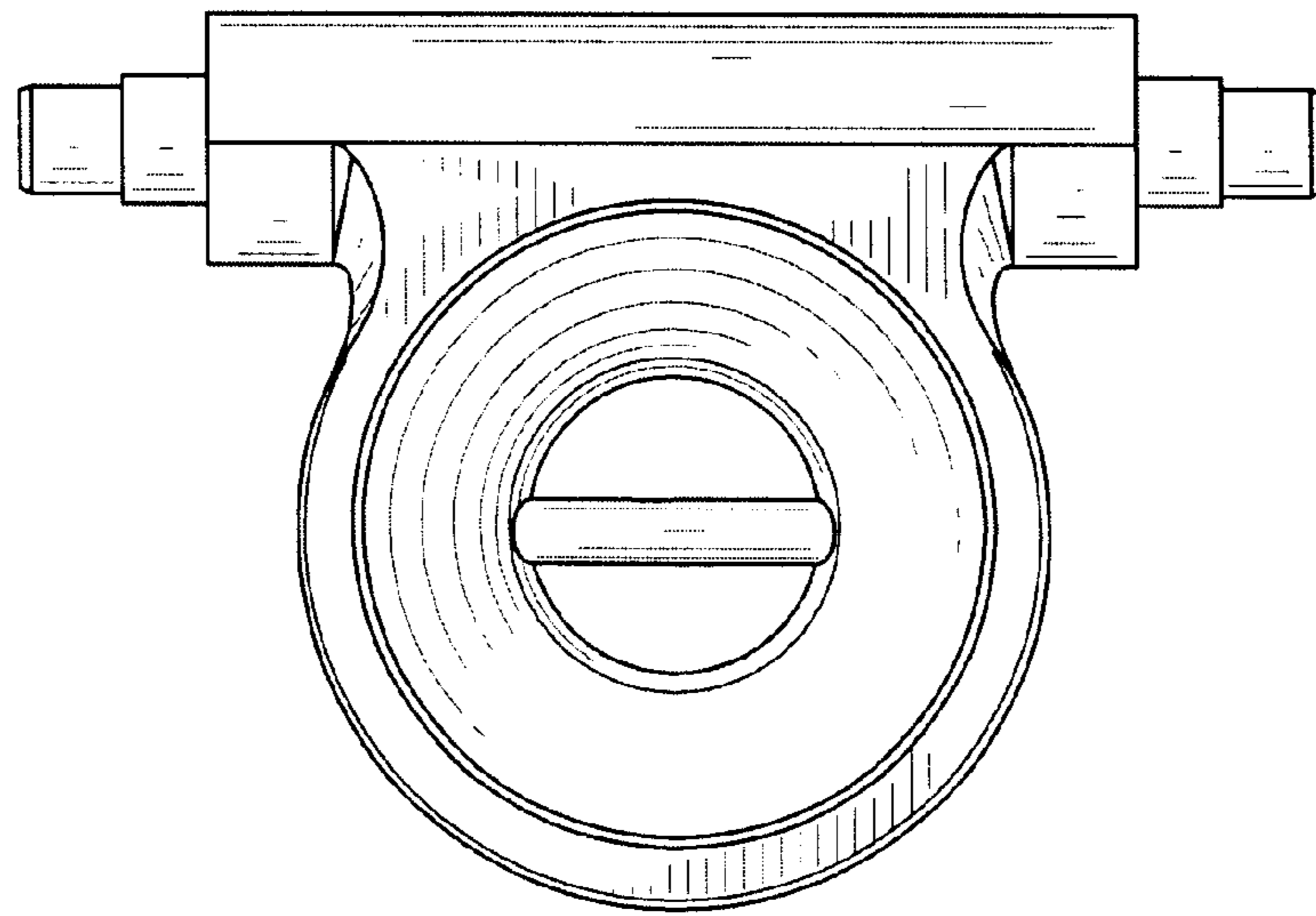


FIG. 5

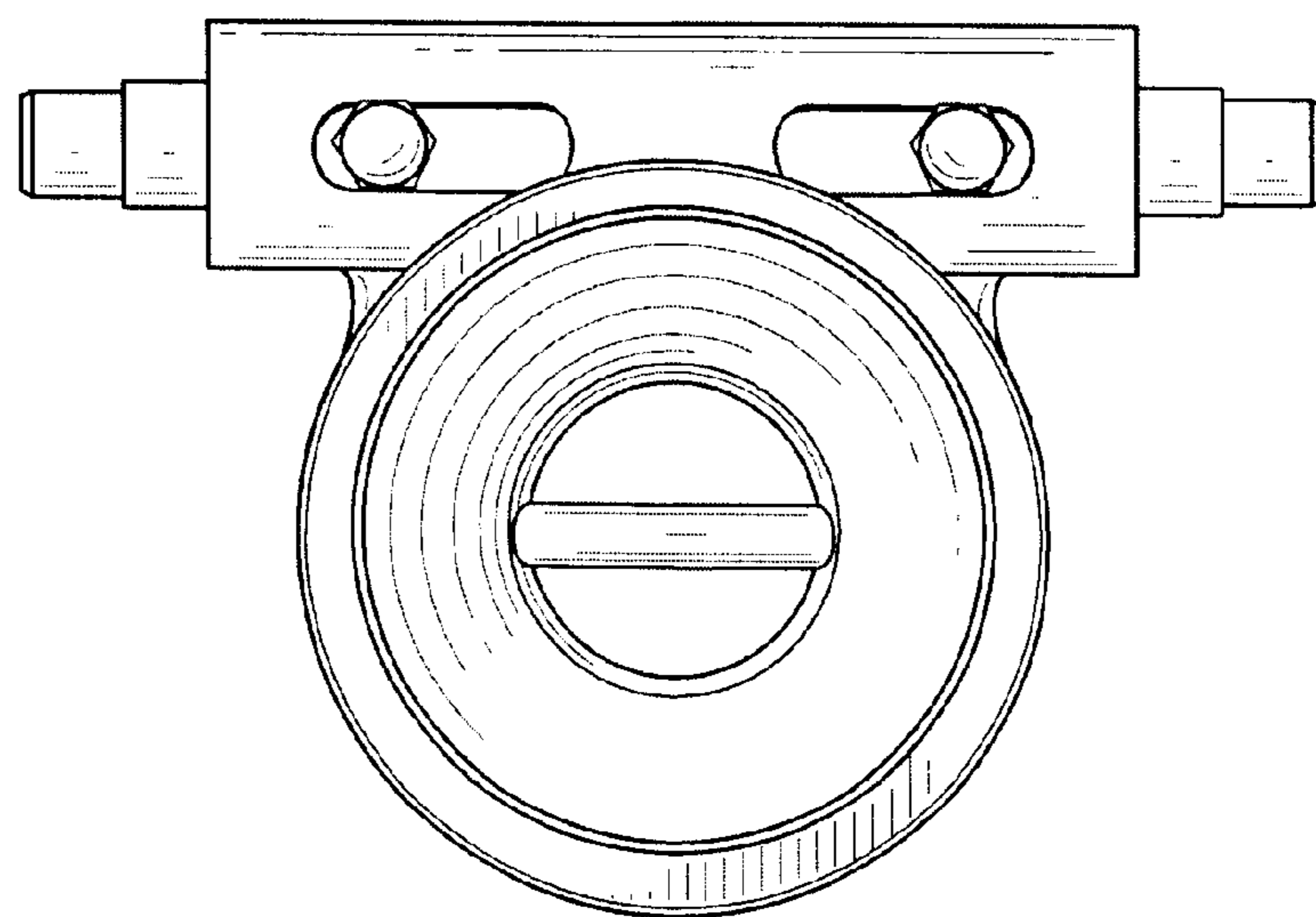


FIG. 6