

US00D508726S

(12) **United States Design Patent**
Storch

(10) **Patent No.:** **US D508,726 S**

(45) **Date of Patent:** **** Aug. 23, 2005**

(54) **LOOP-SLING ADAPTOR**

(75) Inventor: **Troy D Storch**, Waukesha, WI (US)

(73) Assignees: **Midwest Industries, Inc.**, Waukesha, WI (US); **Troy Storch**, Waukesha, WI (US)

(**) Term: **14 Years**

(21) Appl. No.: **29/207,576**

(22) Filed: **Jun. 15, 2004**

(51) **LOC (8) Cl.** **22-01**

(52) **U.S. Cl.** **D22/108**

(58) **Field of Search** D22/108, 109,
D22/110, 199; 42/85, 94, 124-128; 89/37.01,
37.04, 37.12; 224/149, 150

(56) **References Cited**

U.S. PATENT DOCUMENTS

4,310,980	A	*	1/1982	Pilkington	42/127
4,959,908	A	*	10/1990	Weyrauch	42/124
5,144,752	A	*	9/1992	Boeke et al.	42/126
5,303,859	A	*	4/1994	Jenkin	224/150
5,533,267	A	*	7/1996	Haight, Jr.	42/124
D391,335	S	*	2/1998	Bechtel	D22/110
D422,045	S	*	3/2000	Fell et al.	D22/110
D435,284	S	*	12/2000	Sutula	D22/110
6,260,748	B1	*	7/2001	Lindsey	224/150

6,325,258	B1	*	12/2001	Verdugo et al.	224/150
6,508,027	B1		1/2003	Kim	42/124
6,536,153	B2	*	3/2003	Lindsey	42/85
6,655,069	B2		12/2003	Kim	42/114
6,725,594	B2		4/2004	Hines	42/90

* cited by examiner

Primary Examiner—Cathy Anne Maccormac

Assistant Examiner—Melanie Levy

(74) *Attorney, Agent, or Firm*—Ryan Kromholz & Manion, S.C.

(57) **CLAIM**

The ornamental design for a loop-sling adaptor, as shown and described.

DESCRIPTION

FIG. 1 is a perspective view of a loop-sling adaptor showing my new design;

FIG. 2 is another perspective view thereof;

FIG. 3 is a side view thereof;

FIG. 4 is a top view thereof;

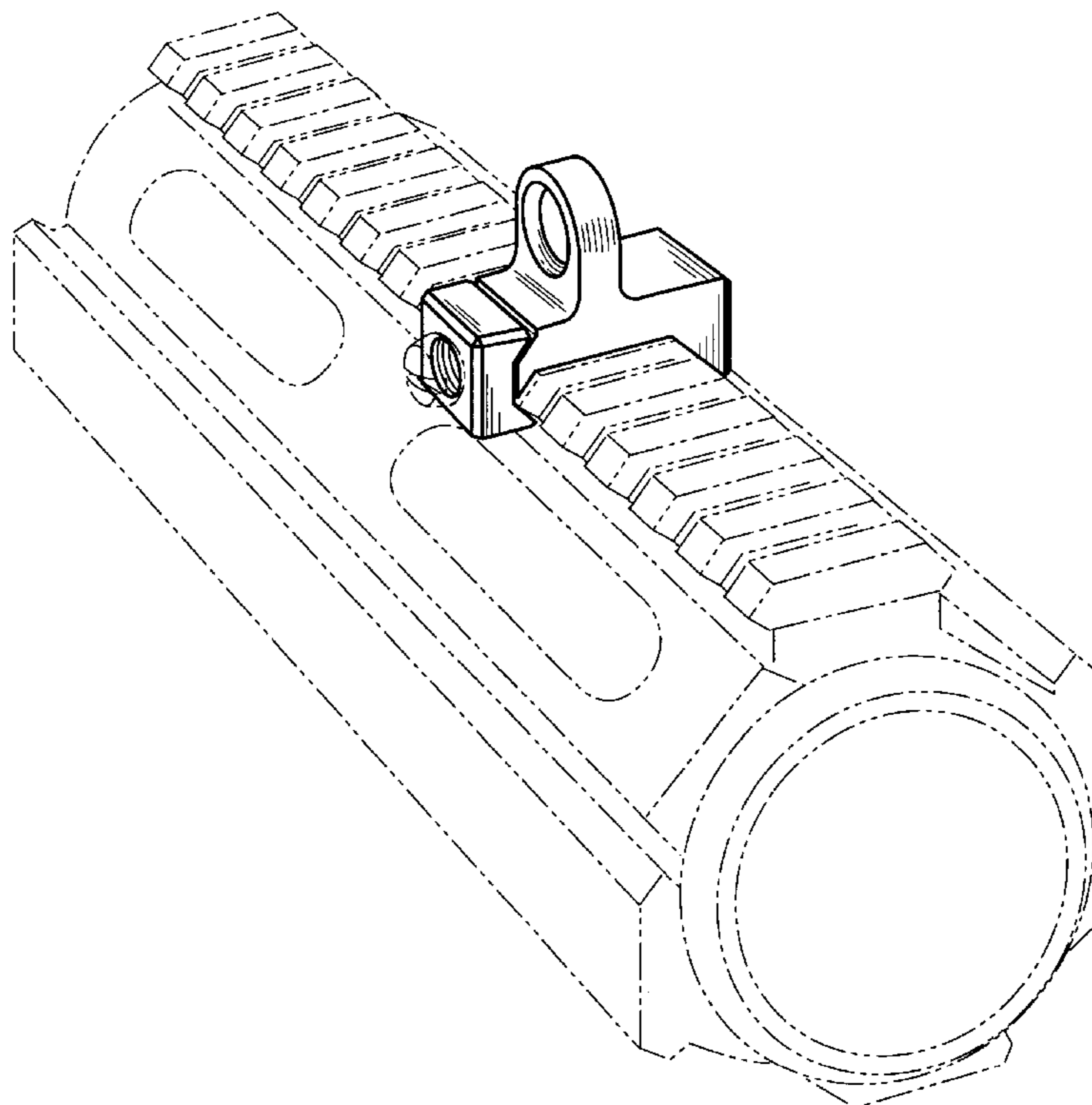
FIG. 5 is a bottom view thereof;

FIG. 6 is a front view thereof; and,

FIG. 7 is a rear view thereof.

The broken lines are for illustrative purposes only and form no part of the claimed design.

1 Claim, 2 Drawing Sheets



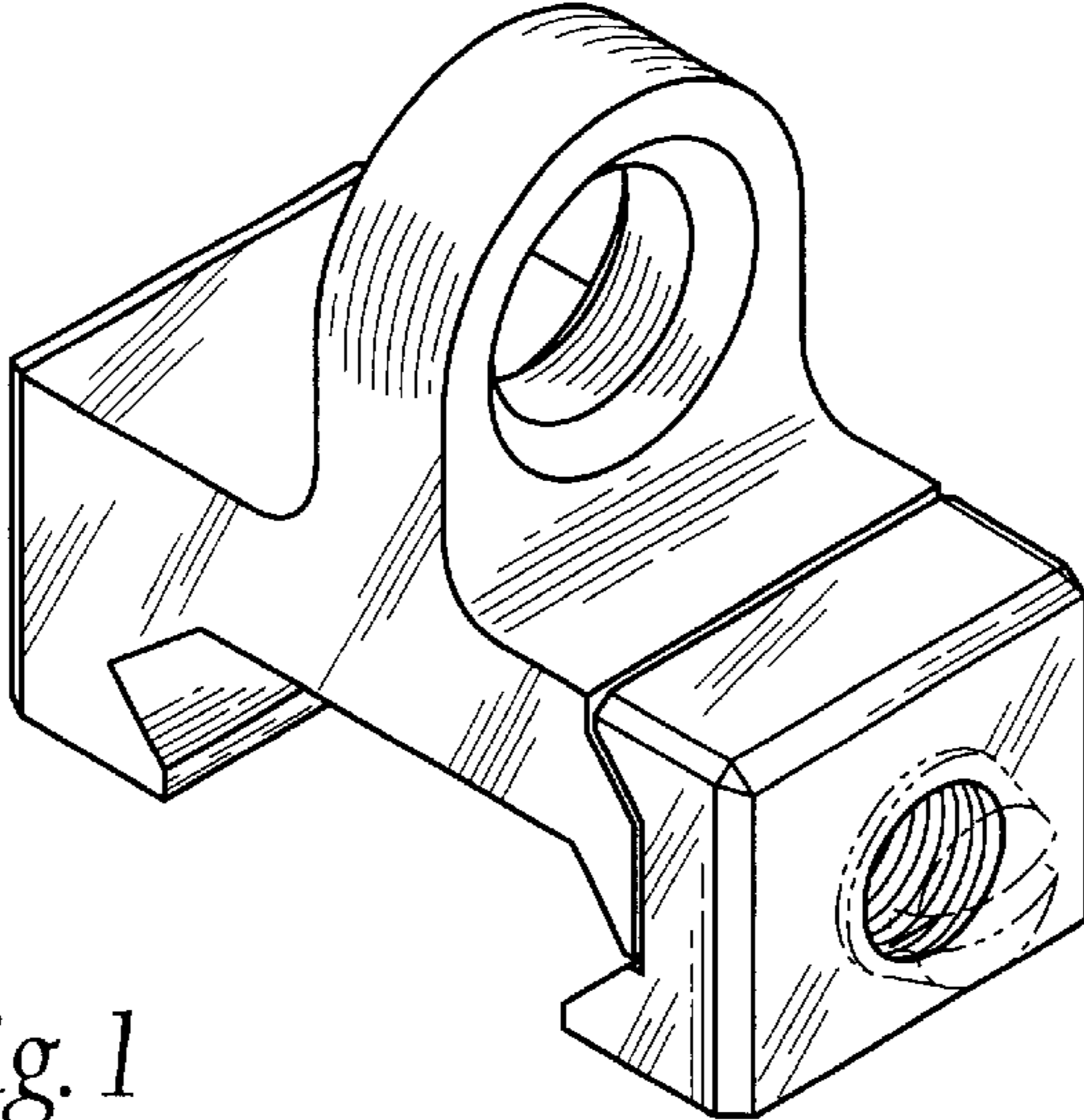


Fig. 1

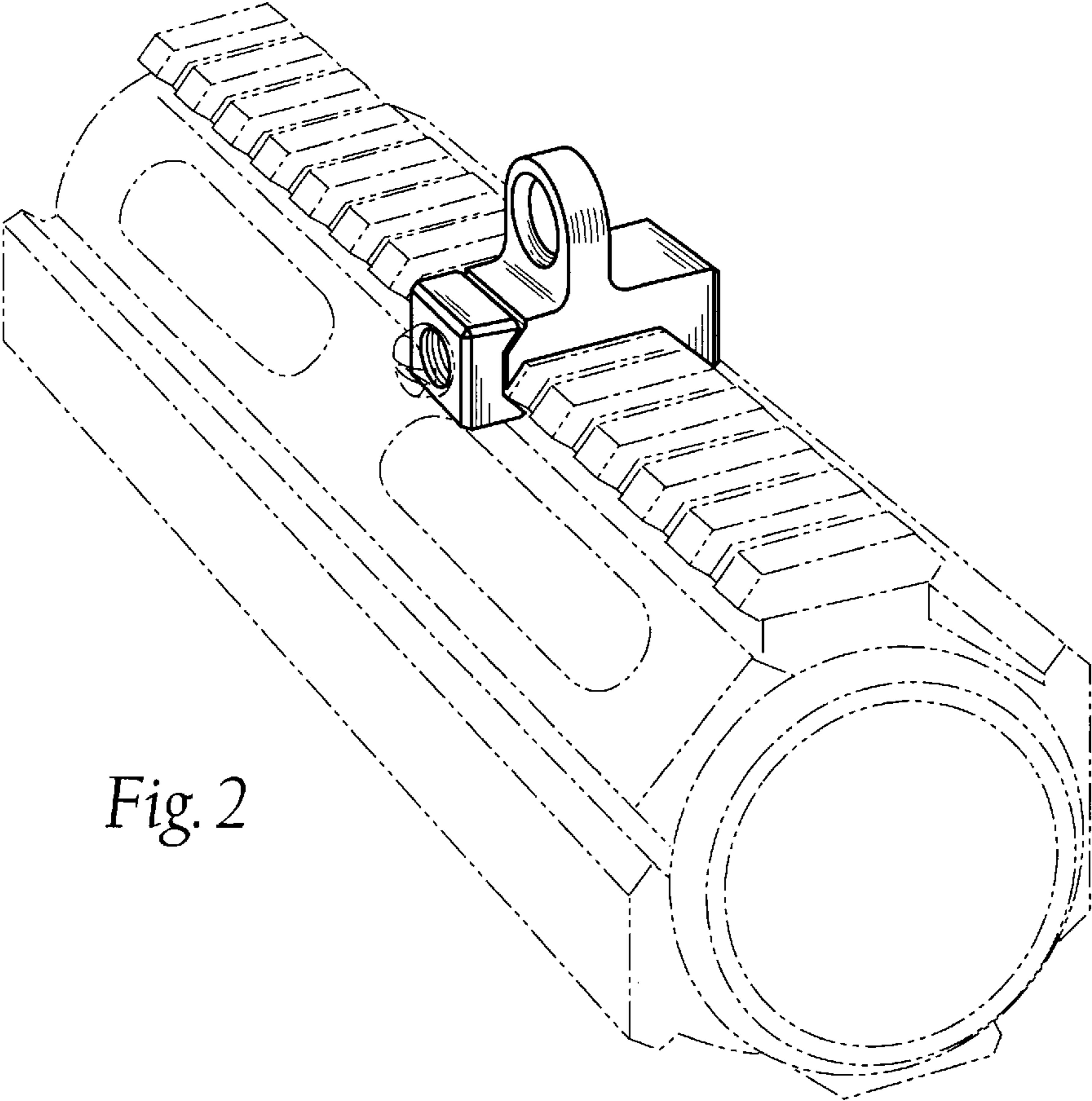


Fig. 2

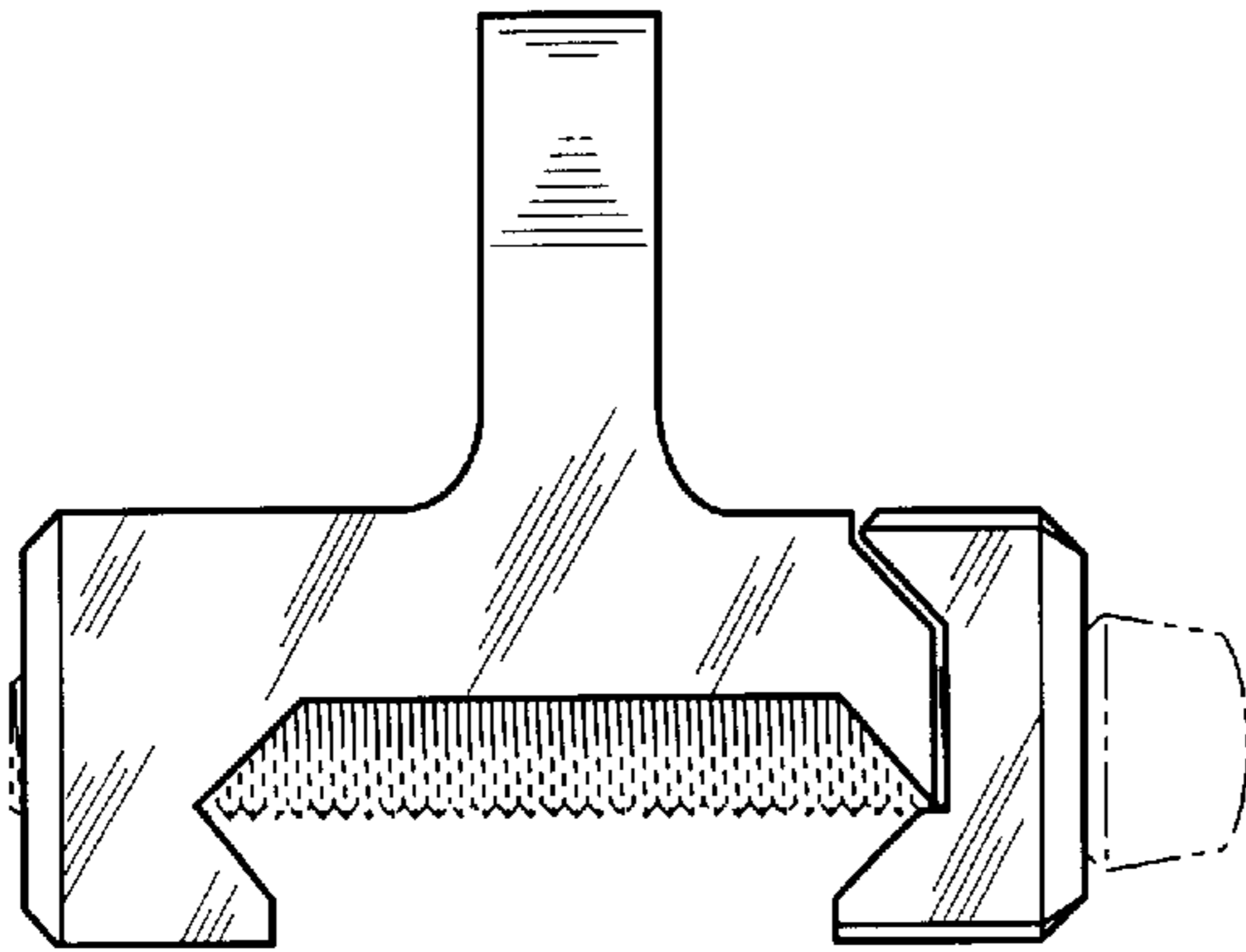


Fig. 3

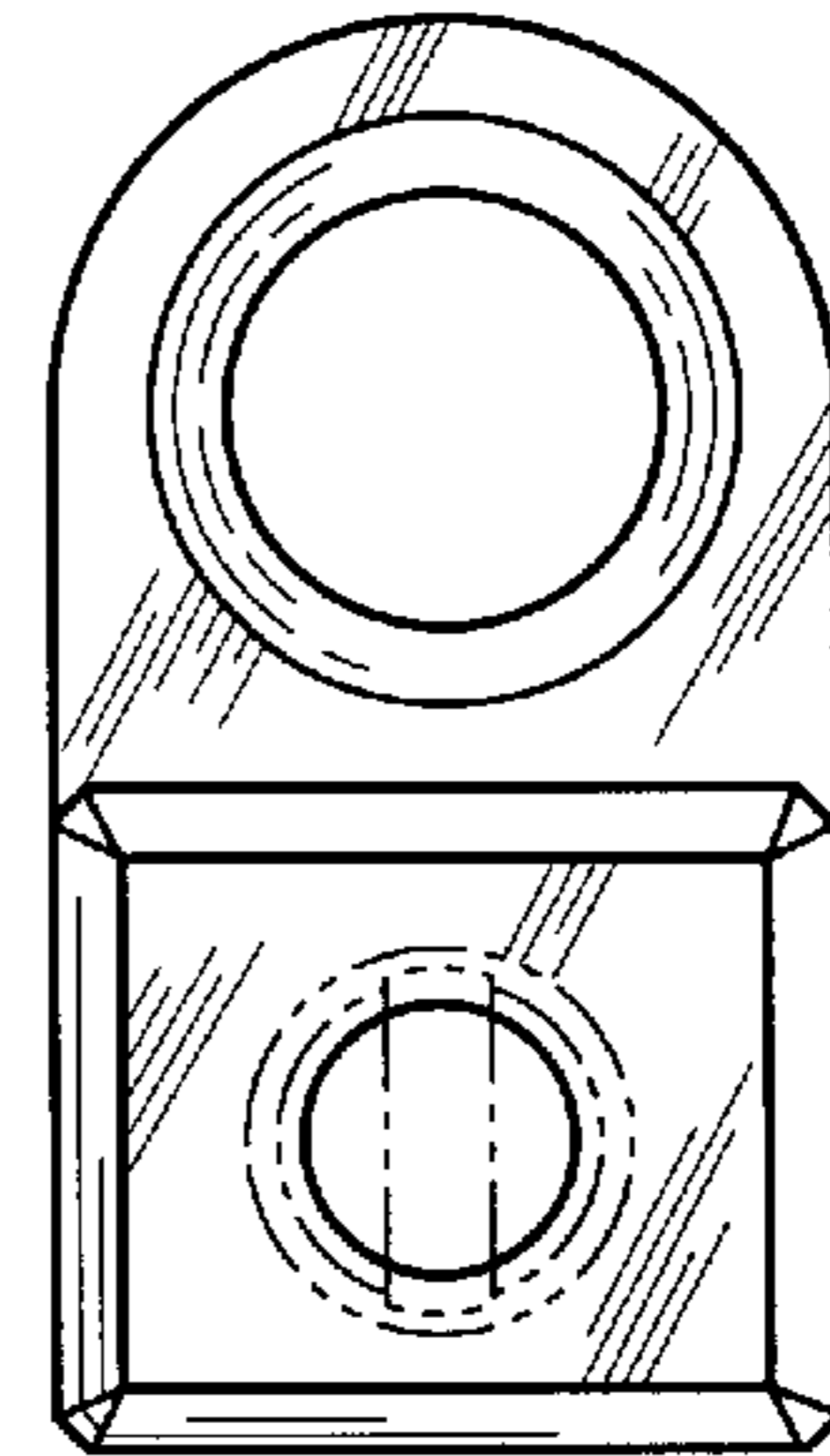


Fig. 6

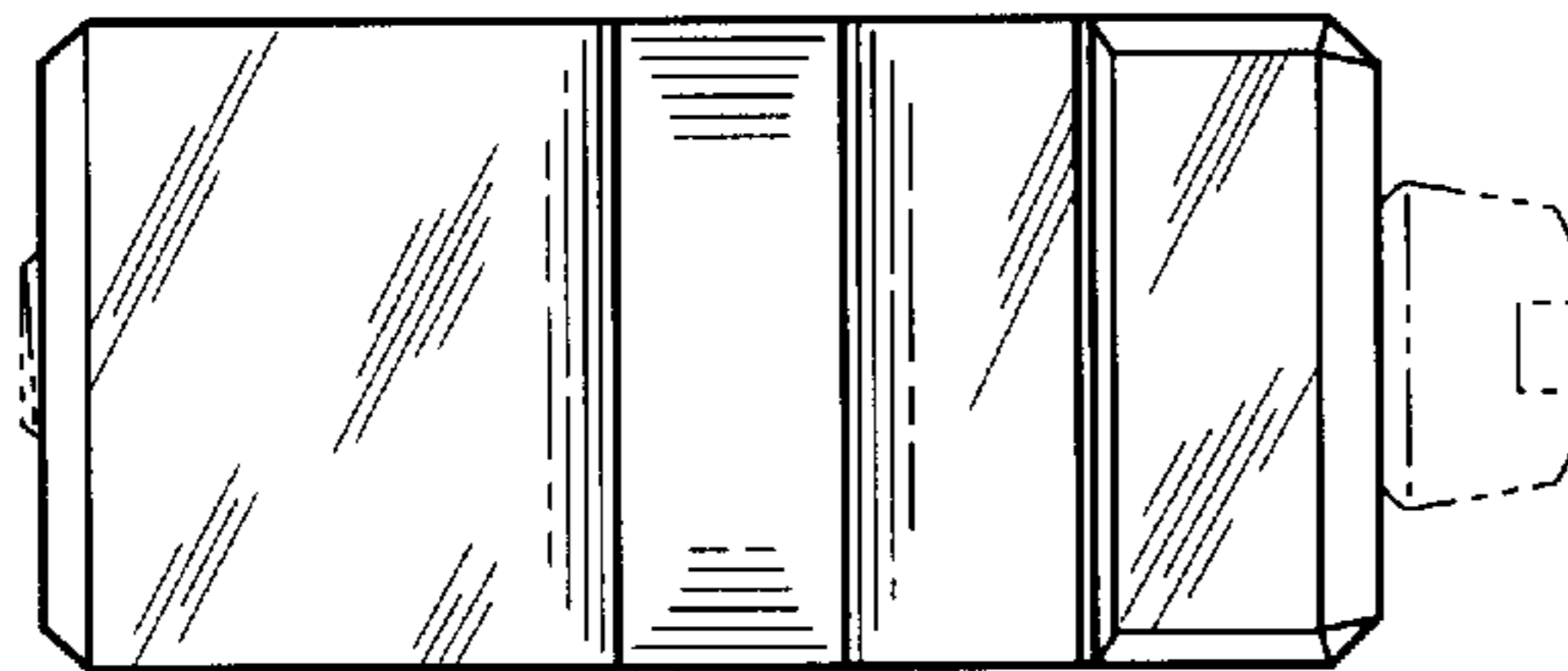


Fig. 4

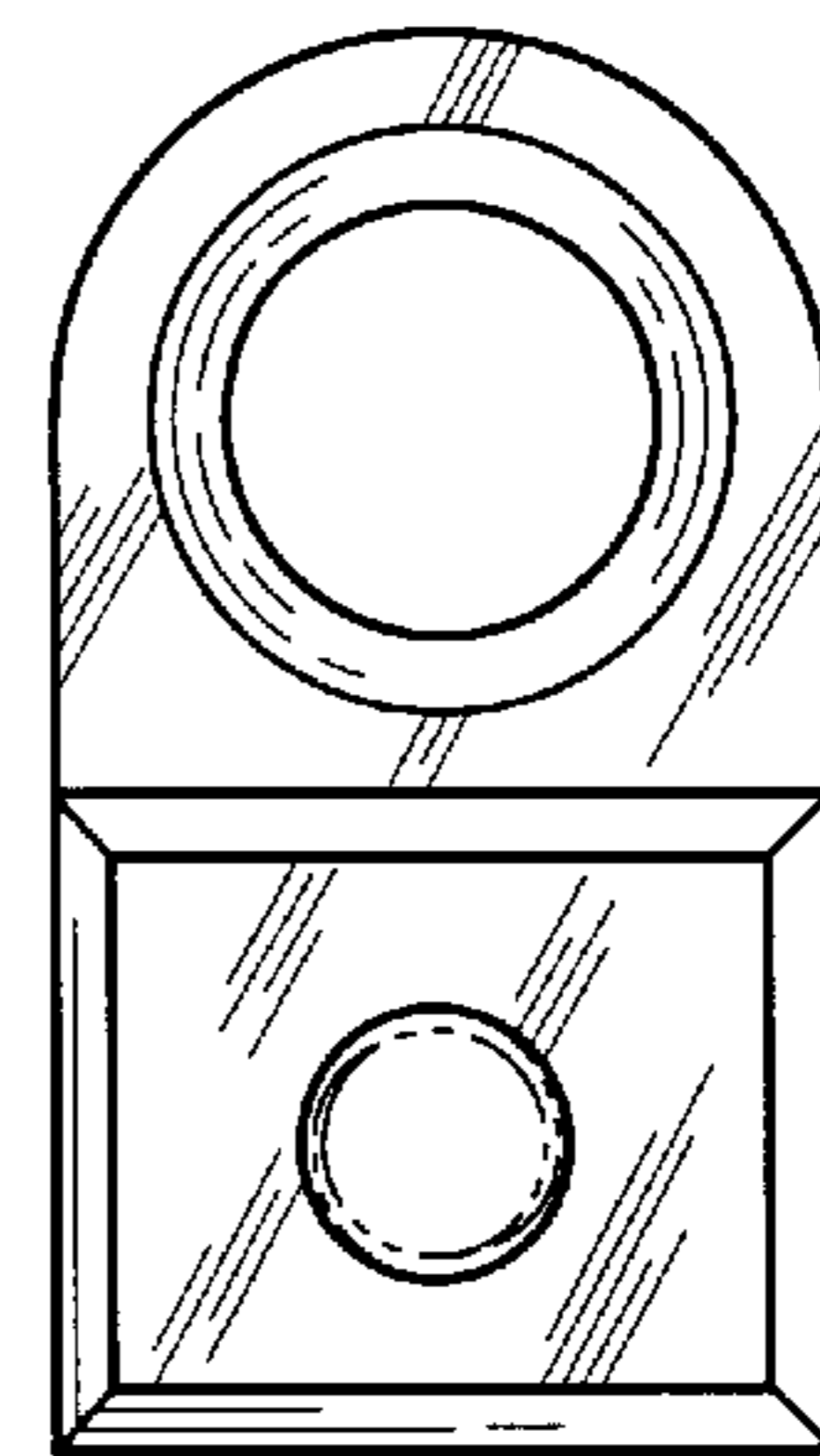


Fig. 7

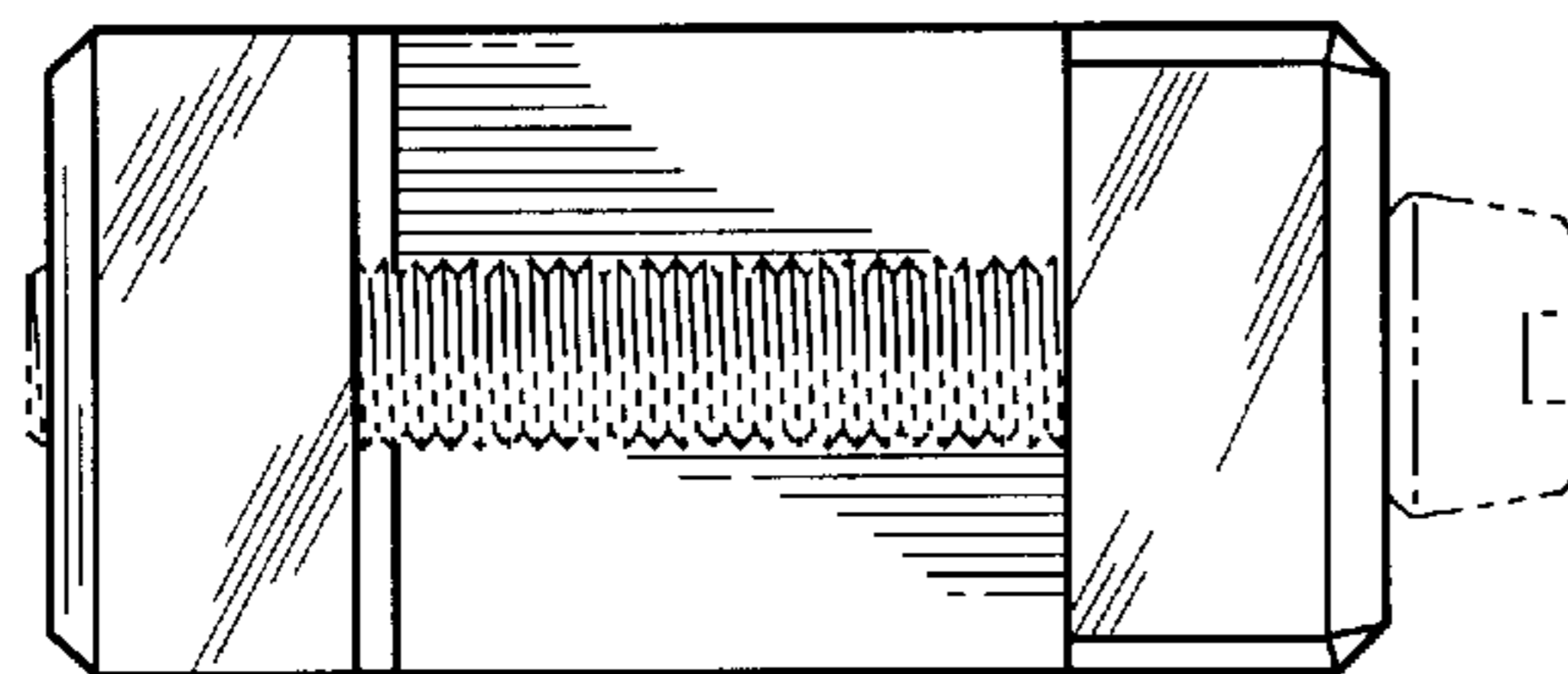


Fig. 5