

US00D508723S

(12) **United States Design Patent**
Rollinson et al.

(10) **Patent No.:** **US D508,723 S**
(45) **Date of Patent:** **** Aug. 23, 2005**

- (54) **PUTTER HEAD**
- (75) Inventors: **Augustin W. Rollinson**, Carlsbad, CA (US); **Andrew Oldknow**, Laguna Niguel, CA (US)
- (73) Assignee: **Callaway Golf Company**, Carlsbad, CA (US)
- (**) Term: **14 Years**
- (21) Appl. No.: **29/211,277**
- (22) Filed: **Aug. 12, 2004**
- (51) **LOC (8) Cl.** **21-02**
- (52) **U.S. Cl.** **D21/759**
- (58) **Field of Search** D21/736-746, D21/759; 473/324-331, 251-256, 340-341

- 2,838,312 A 6/1958 Drake
- 2,957,696 A 10/1960 Warpotas
- 3,021,141 A 7/1962 Polsky et al.
- 3,064,975 A 11/1962 Smith
- D200,585 S 3/1965 Cefaly
- 3,194,564 A 7/1965 Swan
- 3,220,733 A 11/1965 Saleeby
- 3,300,241 A 1/1967 Eberwein et al.
- 3,310,879 A 3/1967 Brzezinski et al.
- 3,328,032 A 6/1967 Griswold
- 3,333,854 A 8/1967 White
- 3,343,839 A 9/1967 Borah
- D209,294 S 11/1967 Hitt
- 3,357,705 A 12/1967 Blanchard
- 3,408,074 A 10/1968 Antonious
- 3,411,789 A 11/1968 Wariner
- D217,487 S 5/1970 Blake
- 3,512,262 A 5/1970 Smyk et al.
- 3,578,332 A 5/1971 Caldwell
- 3,632,112 A 1/1972 Jacobs
- 3,708,182 A 1/1973 Rango
- 3,779,398 A 12/1973 Hunter
- D230,293 S 2/1974 Gall
- D230,294 S 2/1974 Gall
- D230,615 S 3/1974 Delgadillo
- 3,806,129 A 4/1974 Burrows
- 3,841,640 A 10/1974 Gaulocher
- 3,841,641 A 10/1974 Bennett

(56) **References Cited**
U.S. PATENT DOCUMENTS

- 1,485,272 A 2/1924 Kinsman
- 1,526,951 A 2/1925 Beaumont
- 1,546,612 A 7/1925 Barnes
- 1,652,404 A 12/1927 Munson
- 1,654,916 A 1/1928 Graveure
- 1,666,174 A 4/1928 Holland
- 1,703,199 A 2/1929 McClure
- D85,510 S 11/1931 Beach
- D90,924 S 10/1933 Replogle
- 1,960,110 A 1/1934 Iles
- 2,002,335 A 5/1935 Fiondella
- D95,819 S 6/1935 Gourlay
- 2,056,335 A 10/1936 Wettlaufer
- 2,057,821 A 10/1936 Costello
- D104,495 S 5/1937 Gallagher
- 2,156,025 A 4/1939 Paul
- D146,431 S 3/1947 Liolich
- 2,447,967 A 8/1948 Stone
- 2,478,468 A 8/1949 Drake
- 2,708,579 A 5/1955 Hugman
- D179,002 S 10/1956 Hoffmeister
- D179,246 S 11/1956 Gillon
- 2,781,197 A 2/1957 Wiley

(Continued)

Primary Examiner—Mitchell Siegel
(74) *Attorney, Agent, or Firm*—Michael A. Catania; Elaine H. Lo

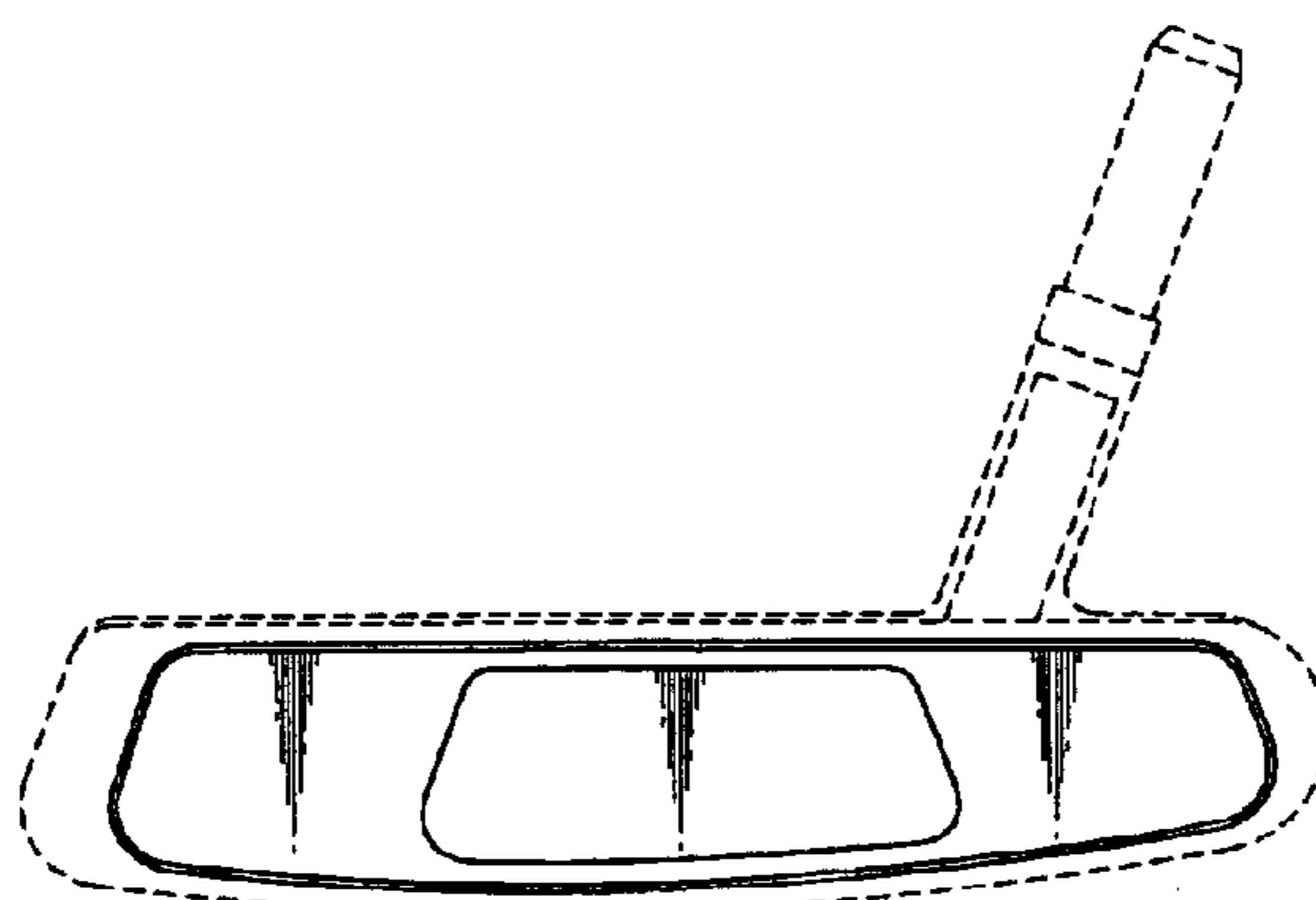
(57) **CLAIM**

The ornamental design for a putter head, as shown and described.

DESCRIPTION

FIG. 1 is a front perspective view of a putter head; and, FIG. 2 is a front plan view thereof. The broken line showing is for illustrative purposes only and forms no part of the claimed design.

1 Claim, 1 Drawing Sheet



US D508,723 S

Page 2

U.S. PATENT DOCUMENTS

D233,616 S	11/1974	Verzillo		D461,515 S	8/2002	Tang et al.	
3,884,477 A	5/1975	Bianco		D461,860 S	8/2002	Tang	
3,918,720 A	11/1975	Gordos		D461,861 S	8/2002	Tang et al.	
D241,563 S	9/1976	McCord		D463,002 S	9/2002	Tang et al.	
D248,050 S	5/1978	Muehl		D465,002 S	* 10/2002	Long	D21/759
4,141,556 A	2/1979	Paulin		D467,985 S	12/2002	Tang et al.	
D252,221 S	6/1979	Mariani		D470,904 S	2/2003	Tang et al.	
5,685,784 A	11/1997	Butler		D471,245 S	3/2003	Tang et al.	
5,690,562 A	* 11/1997	Sturm	473/340	D471,940 S	3/2003	Tang et al.	
D395,692 S	6/1998	Butler		D472,594 S	4/2003	Tang et al.	
D435,275 S	* 12/2000	Sizemore, Jr.	D21/736	D472,595 S	4/2003	Tang et al.	
D439,295 S	* 3/2001	Sizemore, Jr.	D21/736	D475,106 S	5/2003	Tang et al.	
6,200,229 B1	3/2001	Grace et al.		D479,291 S	9/2003	Murray	
D457,586 S	5/2002	Tang et al.		D484,935 S	1/2004	Tang	
D461,514 S	8/2002	Tang et al.		D485,323 S	1/2004	Wagner et al.	

* cited by examiner

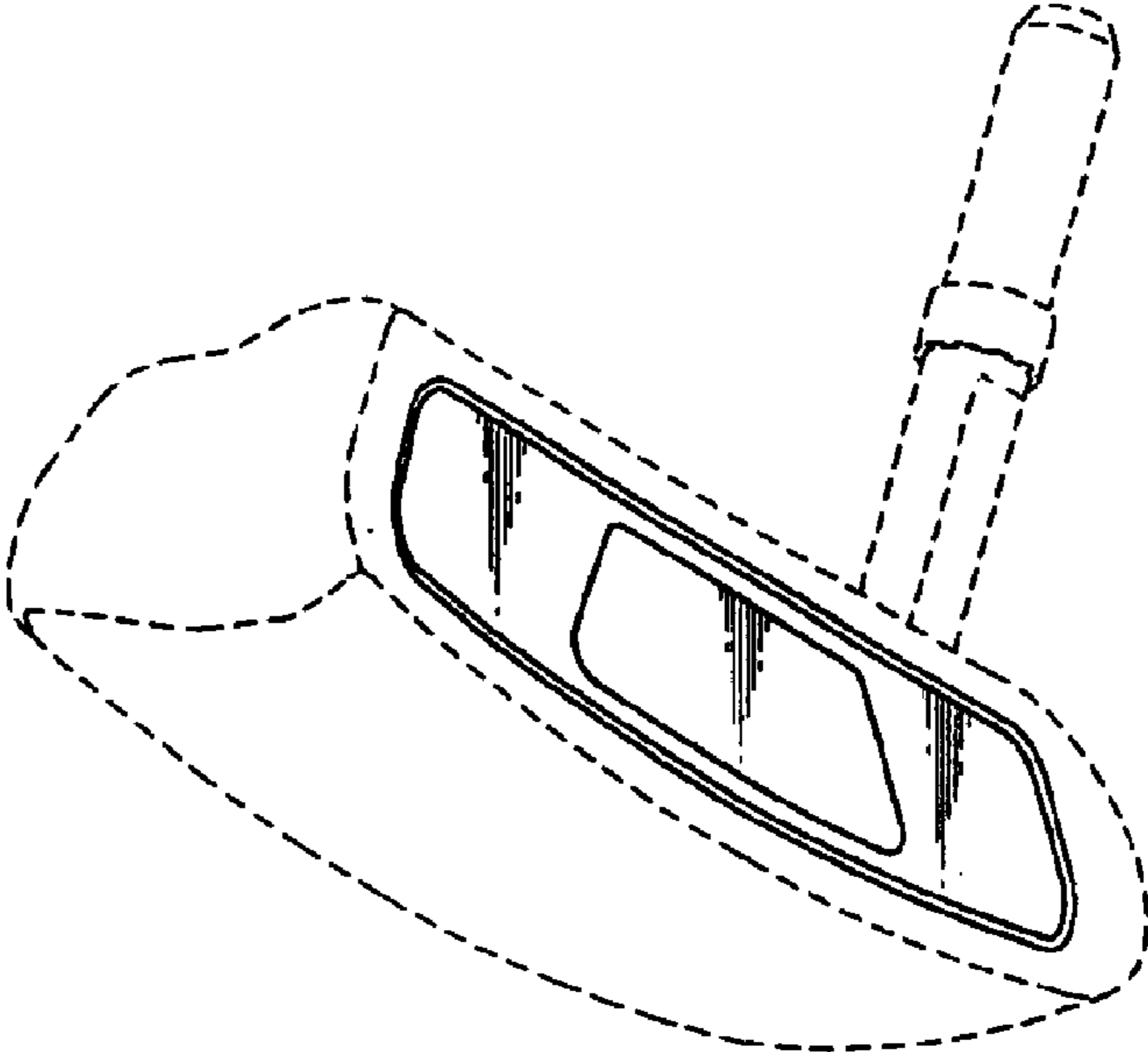


FIG. 1

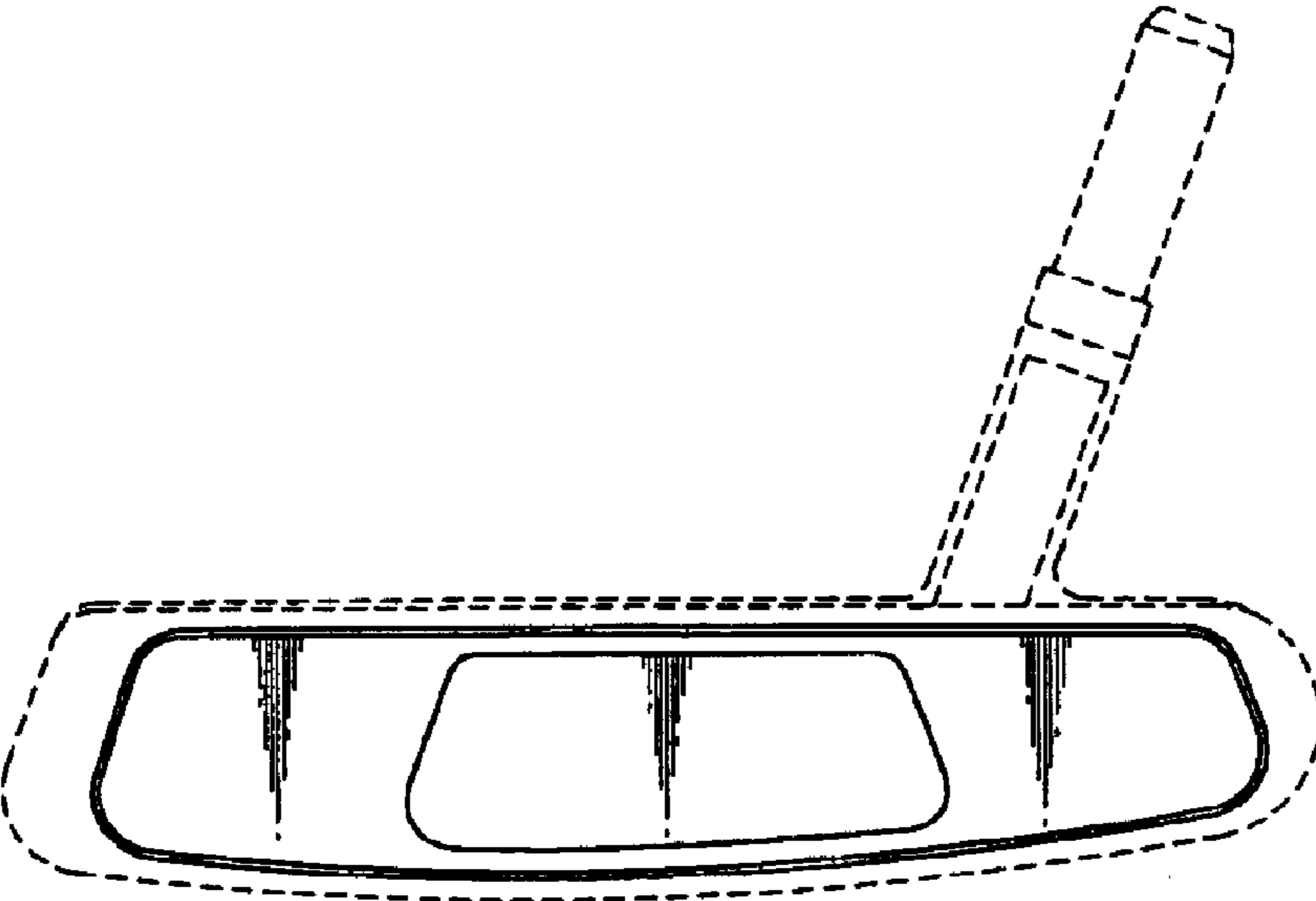


FIG. 2