

US00D508722S

(12) **United States Design Patent** (10) **Patent No.:** **US D508,722 S**  
**Iwata et al.** (45) **Date of Patent:** **\*\* Aug. 23, 2005**

(54) **GOLF CLUB IRON HEAD**

**FOREIGN PATENT DOCUMENTS**

(75) Inventors: **Mototaka Iwata**, Osaka (JP); **Isamu Toshinari**, Osaka (JP); **Tomomi Watanabe**, Osaka (JP); **Mamoru Saraie**, Osaka (JP); **Kiyotaka Chaen**, Osaka (JP)

|    |              |         |
|----|--------------|---------|
| EP | 0 622 095 A1 | 11/1994 |
| GB | 2288984      | 11/1995 |
| GB | 2331249      | 5/1999  |
| JP | 5-27951      | 7/1993  |
| JP | 6-134047     | 5/1994  |
| JP | 6-343722     | 12/1994 |
| JP | 6-343723     | 12/1994 |
| JP | 7-204301     | 8/1995  |
| JP | 3035480      | 3/1997  |
| JP | 10-024130    | 1/1998  |
| JP | 3045407      | 2/1998  |
| JP | 11-047322    | 2/1999  |
| JP | 11-114109    | 4/1999  |
| JP | 11-178960    | 7/1999  |
| JP | 11-216204    | 8/1999  |
| JP | 3066989      | 3/2000  |
| JP | 2001-212266  | 8/2001  |

(73) Assignee: **Mizuno Corporation**, Osaka (JP)

(\*\*) Term: **14 Years**

(21) Appl. No.: **29/189,638**

(22) Filed: **Sep. 9, 2003**

**Related U.S. Application Data**

(63) Continuation of application No. 09/976,496, filed on Oct. 12, 2001.

(51) **LOC (8) Cl.** ..... **21-02**

(52) **U.S. Cl.** ..... **D21/759**

(58) **Field of Search** ..... D21/747-751,  
D21/759; 473/324-331, 350

\* cited by examiner

*Primary Examiner*—Mitchell Siegel

(74) *Attorney, Agent, or Firm*—Troutman Sanders LLP;  
Gerald R. Boss

(56) **References Cited**

**U.S. PATENT DOCUMENTS**

|              |           |                  |         |
|--------------|-----------|------------------|---------|
| 4,915,386 A  | 4/1990    | Antonious        |         |
| 5,282,625 A  | 2/1994    | Schmidt et al.   |         |
| 5,330,187 A  | 7/1994    | Schmidt et al.   |         |
| 5,333,872 A  | 8/1994    | Manning et al.   |         |
| 5,413,336 A  | 5/1995    | Iwanaga          |         |
| D362,041 S   | * 9/1995  | Takahashi et al. | D21/749 |
| D383,820 S   | * 9/1997  | Watanabe         | D21/749 |
| 5,749,795 A  | 5/1998    | Schmidt et al.   |         |
| 5,807,191 A  | 9/1998    | Nakahara         |         |
| 5,816,936 A  | 10/1998   | Aizawa et al.    |         |
| D428,635 S   | * 7/2000  | Nagai et al.     | D21/759 |
| 6,210,290 B1 | 4/2001    | Erickson et al.  |         |
| D444,195 S   | * 6/2001  | Wahl et al.      | D21/748 |
| D445,157 S   | * 7/2001  | Jones et al.     | D21/749 |
| D449,086 S   | * 10/2001 | Nagai et al.     | D21/759 |
| D454,932 S   | 3/2002    | Mahaffey et al.  |         |
| D466,576 S   | * 12/2002 | Nagai et al.     | D21/759 |
| D466,961 S   | * 12/2002 | Nagai et al.     | D21/759 |

(57) **CLAIM**

The ornamental design for a golf club iron head, as shown and described.

**DESCRIPTION**

FIG. 1 is a perspective view of our new design for a golf club iron head, the related environmental structure, such as the outer perimeter and hosel portion, are shown in broken lines throughout the figures and form no part of the claimed design;

FIG. 2 is an elevational view of the design of FIG. 1;

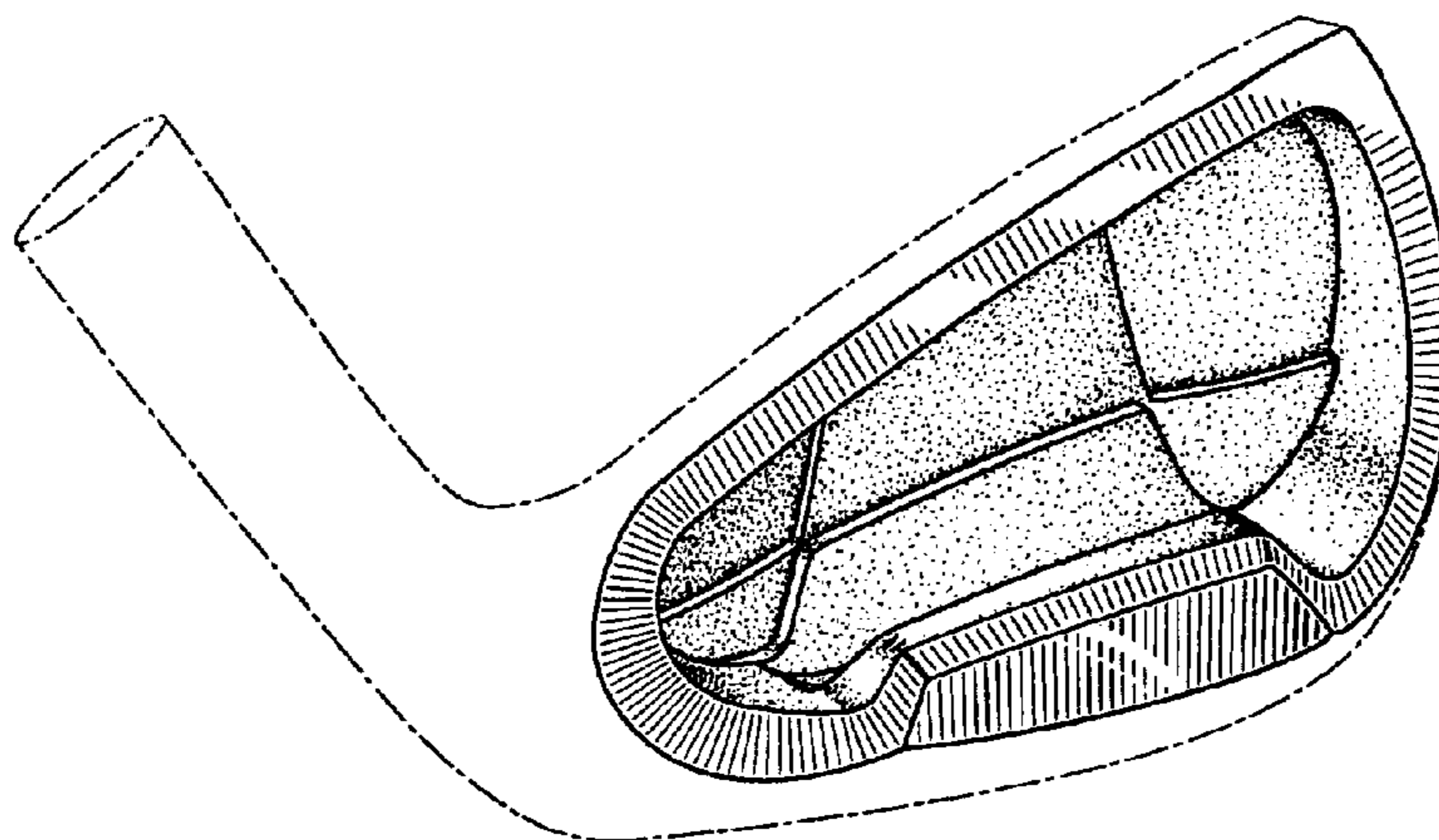
FIG. 3 is a side elevation of the design of FIG. 1, taken along the 3—3 line in FIG. 2;

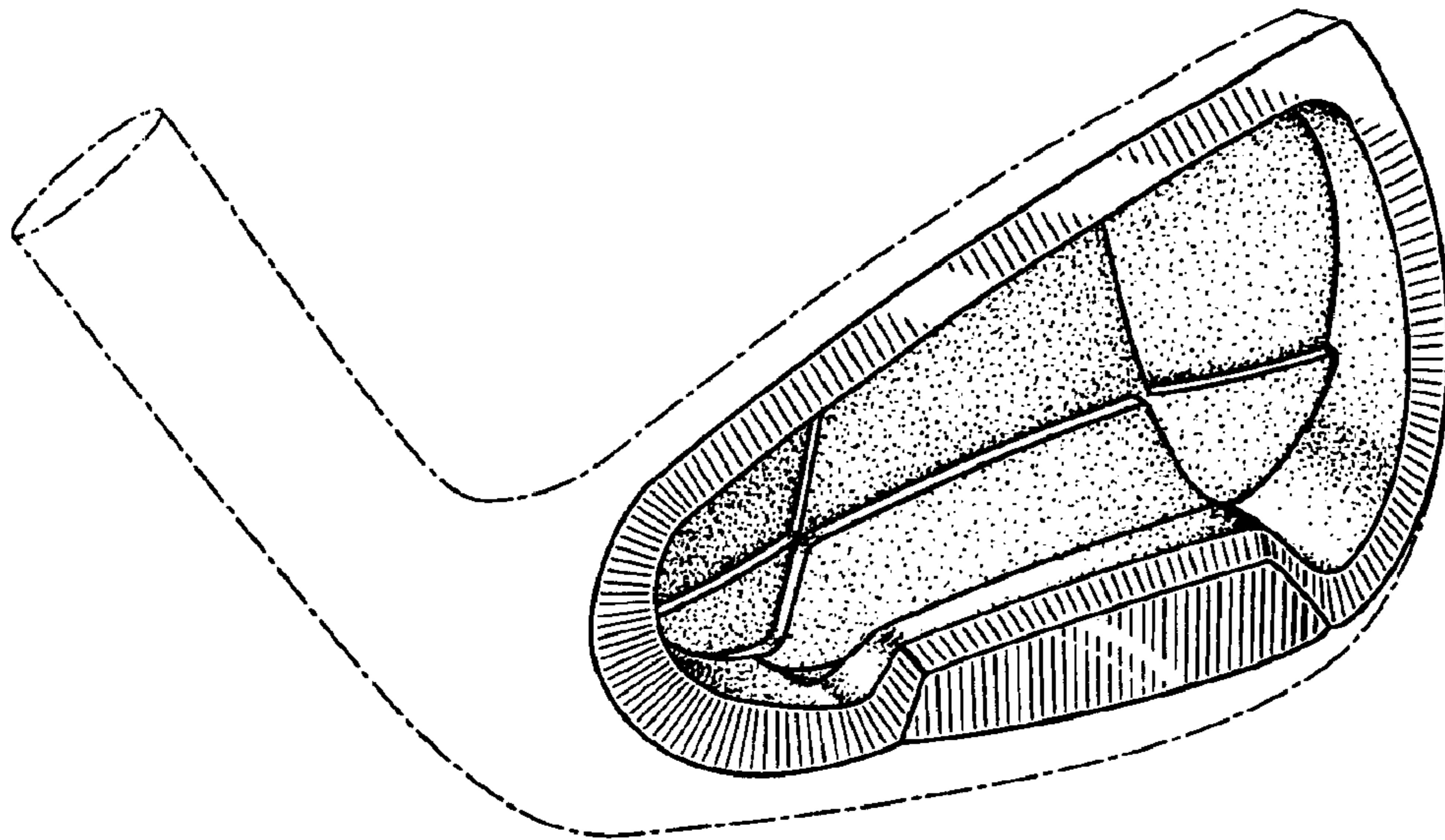
FIG. 4 is a planar cross-section of the design of FIG. 1, taken along the 4—4 line of FIG. 2;

FIG. 5 is a planar cross-section of the design of FIG. 1, taken along the 5—5 line of FIG. 2; and,

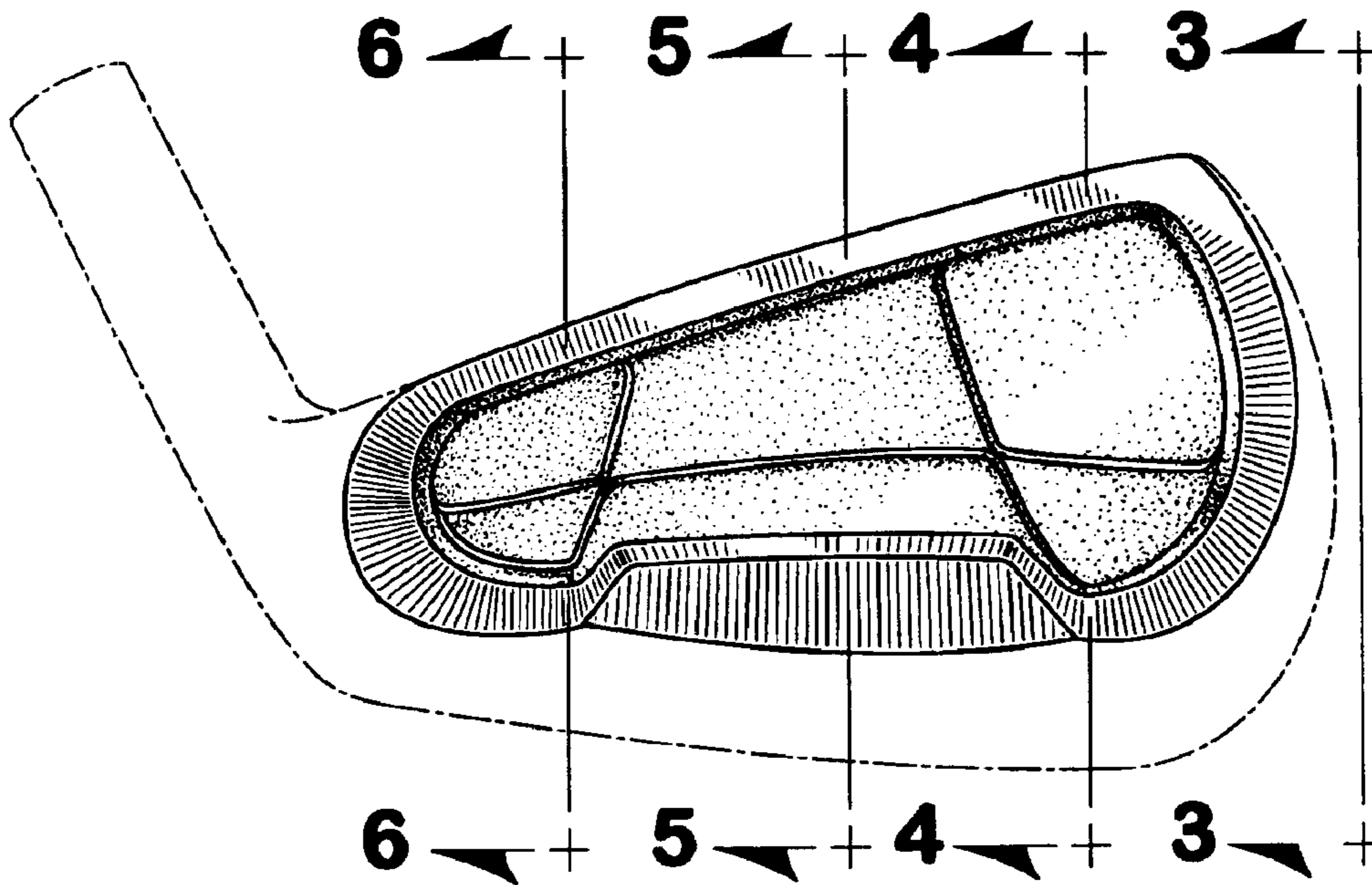
FIG. 6 is a planar cross-section of the design of FIG. 1, taken along the 6—6 line of FIG. 2.

**1 Claim, 2 Drawing Sheets**

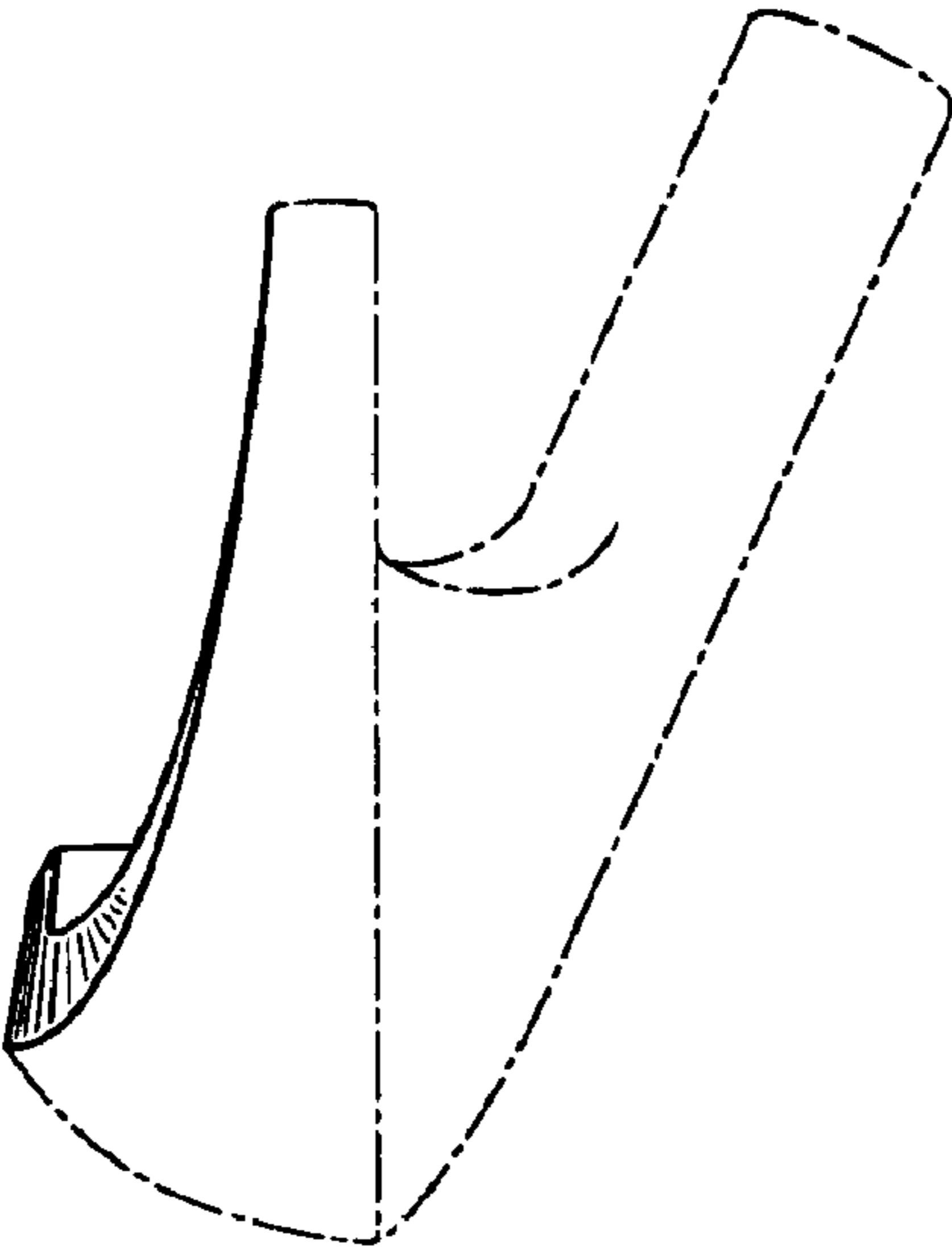




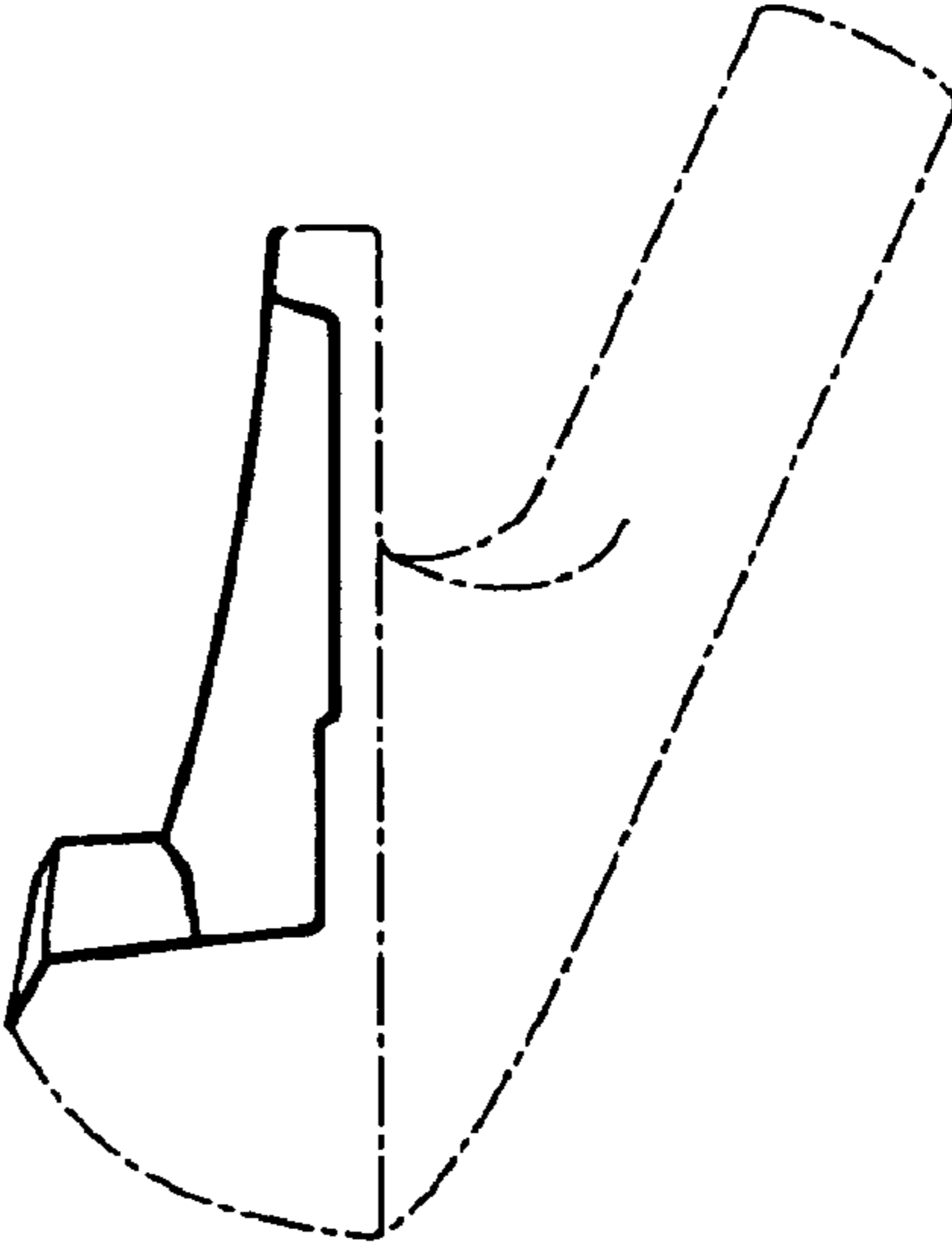
**FIG 1**



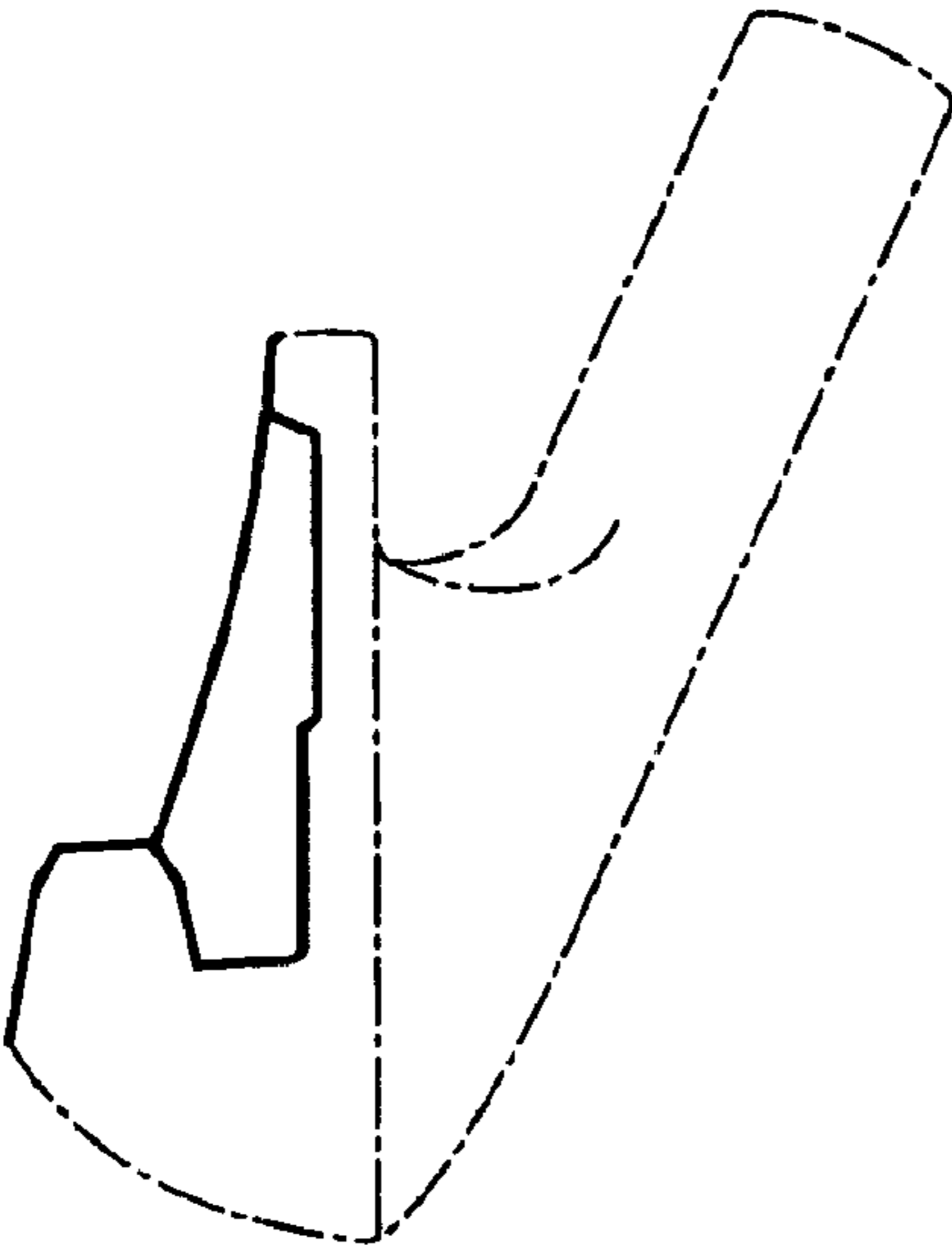
**FIG 2**



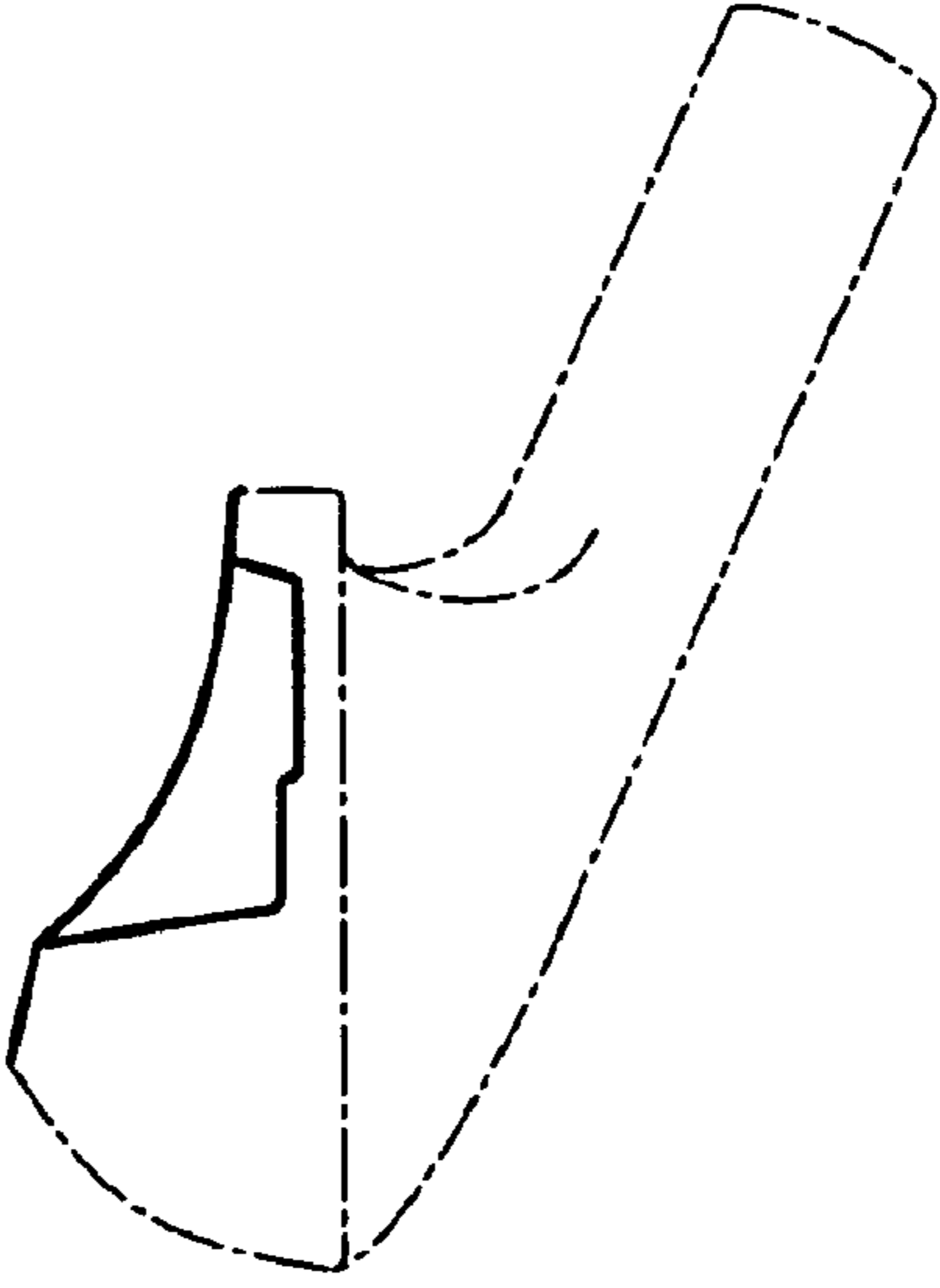
**FIG 3**



**FIG 4**



**FIG 5**



**FIG 6**