

US00D508720S

(12) **United States Design Patent**
Yuen

(10) **Patent No.:** **US D508,720 S**

(45) **Date of Patent:** **** Aug. 23, 2005**

(54) **TOY VOICE CHANGER**

(75) **Inventor:** **Shun Ming Yuen, Kowloon (HK)**

(73) **Assignee:** **Golden Bright Manufacturer Ltd.,
Kowloon (HK)**

(**) **Term:** **14 Years**

(21) **Appl. No.:** **29/208,700**

(22) **Filed:** **Jul. 2, 2004**

(30) **Foreign Application Priority Data**

Jan. 5, 2004 (HK) 0410023

(51) **LOC (8) Cl.** **21-01**

(52) **U.S. Cl.** **D21/405; D14/158; D14/187**

(58) **Field of Search** D21/398, 400,
D21/403, 405, 406, 408, 411, 483, 513,
514, 517, 585, 567, 570, 572-575; D10/120,
119, 116; D14/185-187, 158, 204, 208,
172; 446/140, 142, 144, 175, 176, 188,
192, 202, 203, 204, 206-209, 397, 404,
406, 408, 473, 484; 381/54, 61-63, 75;
116/137 R, 139

(56) **References Cited**

U.S. PATENT DOCUMENTS

1,926,688 A * 9/1933 Schaal 116/137 R

D99,177 S * 4/1936 Armstrong D10/120
3,412,207 A * 11/1968 Noboru 381/75
D271,968 S * 12/1983 Segan et al. D14/187
4,806,909 A * 2/1989 Arcand 340/384.3
5,127,870 A * 7/1992 Lin 446/416
5,259,807 A * 11/1993 Crow 446/397
D380,016 S * 6/1997 Jaeb et al. D21/483
5,859,915 A * 1/1999 Norris 381/75
D419,204 S * 1/2000 Bao D21/401
D488,736 S * 4/2004 Wiggerman D10/120

* cited by examiner

Primary Examiner—Catherine Tuttle

(74) *Attorney, Agent, or Firm*—Merchant & Gould P.C.

(57) **CLAIM**

The ornamental design for a toy voice changer, as shown and described.

DESCRIPTION

FIG. 1 is a front elevational view of a toy voice changer in accordance with my invention thereof;
FIG. 2 is a rear elevational view thereof;
FIG. 3 is a left side elevational view thereof;
FIG. 4 is a right side elevational view thereof;
FIG. 5 is a top plan view thereof;
FIG. 6 is a bottom plan view thereof; and,
FIG. 7 is a perspective view thereof.

1 Claim, 7 Drawing Sheets

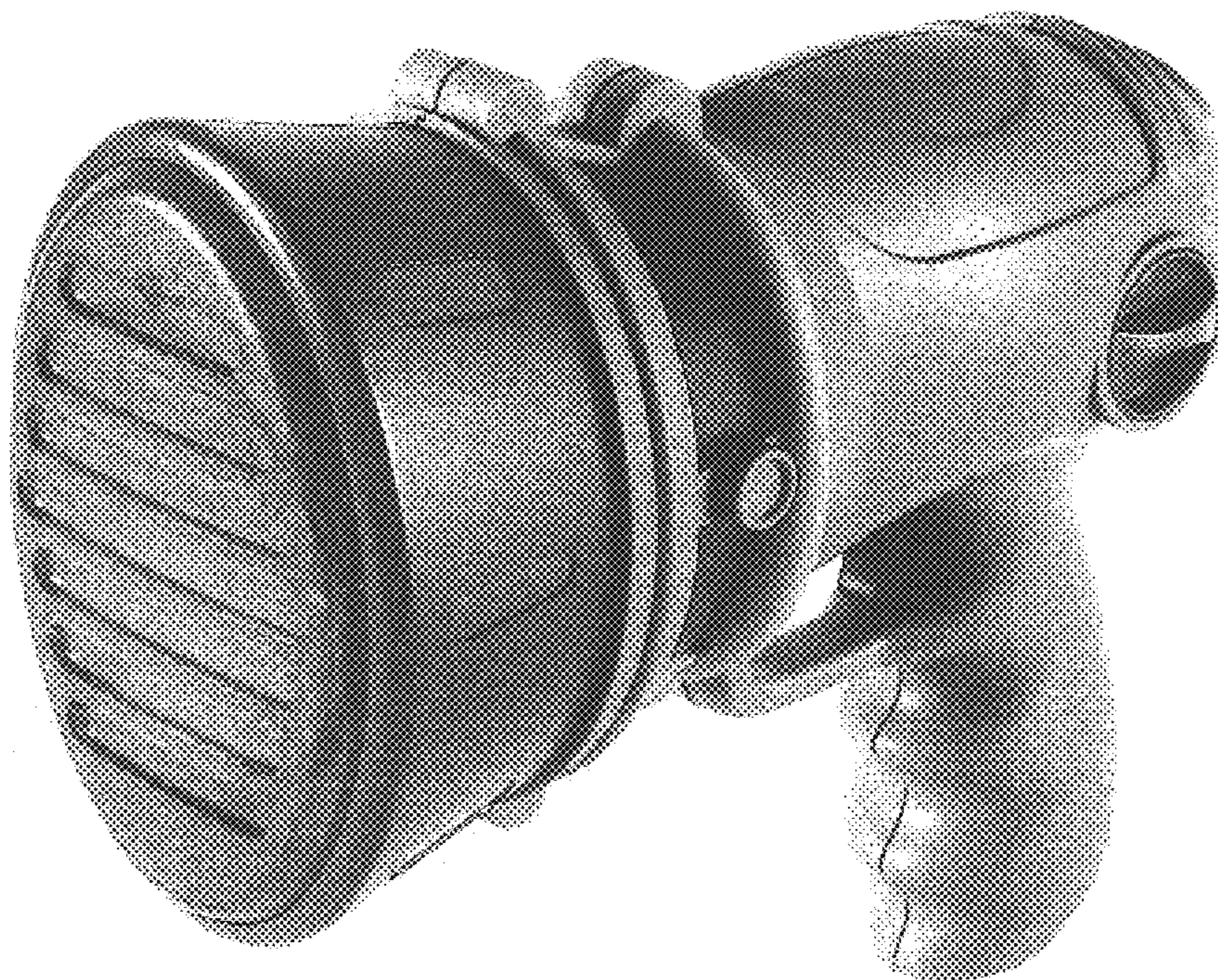


FIG. 1

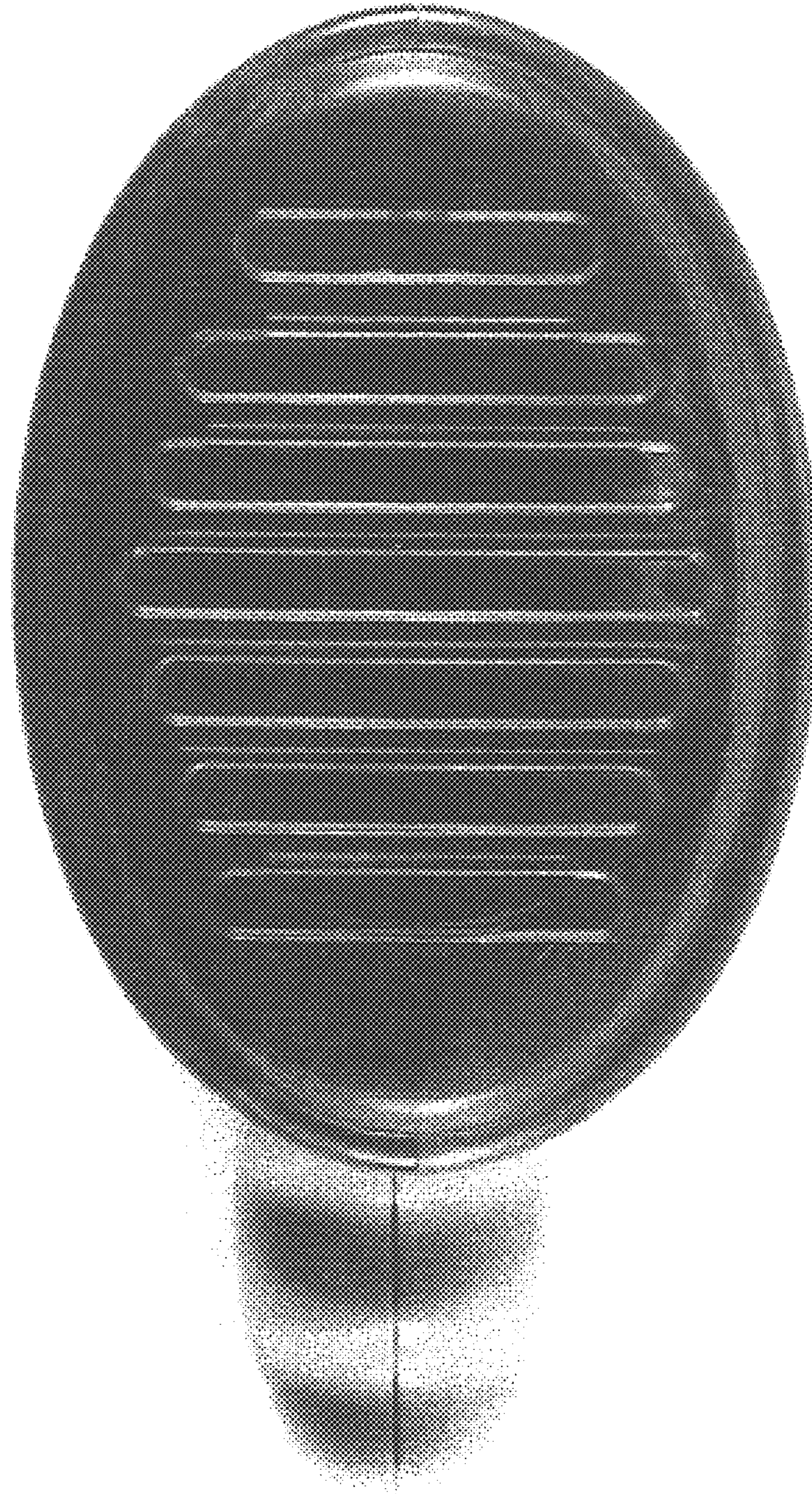


FIG. 2

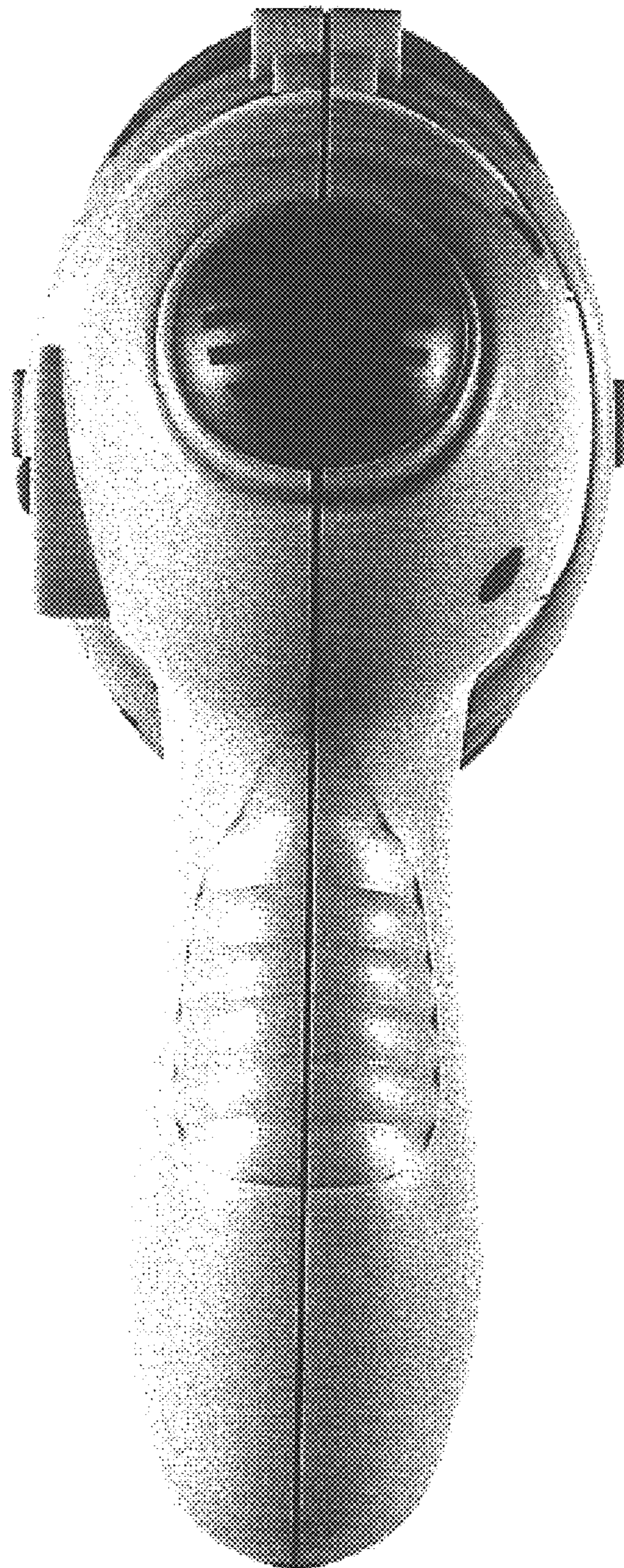


FIG. 3

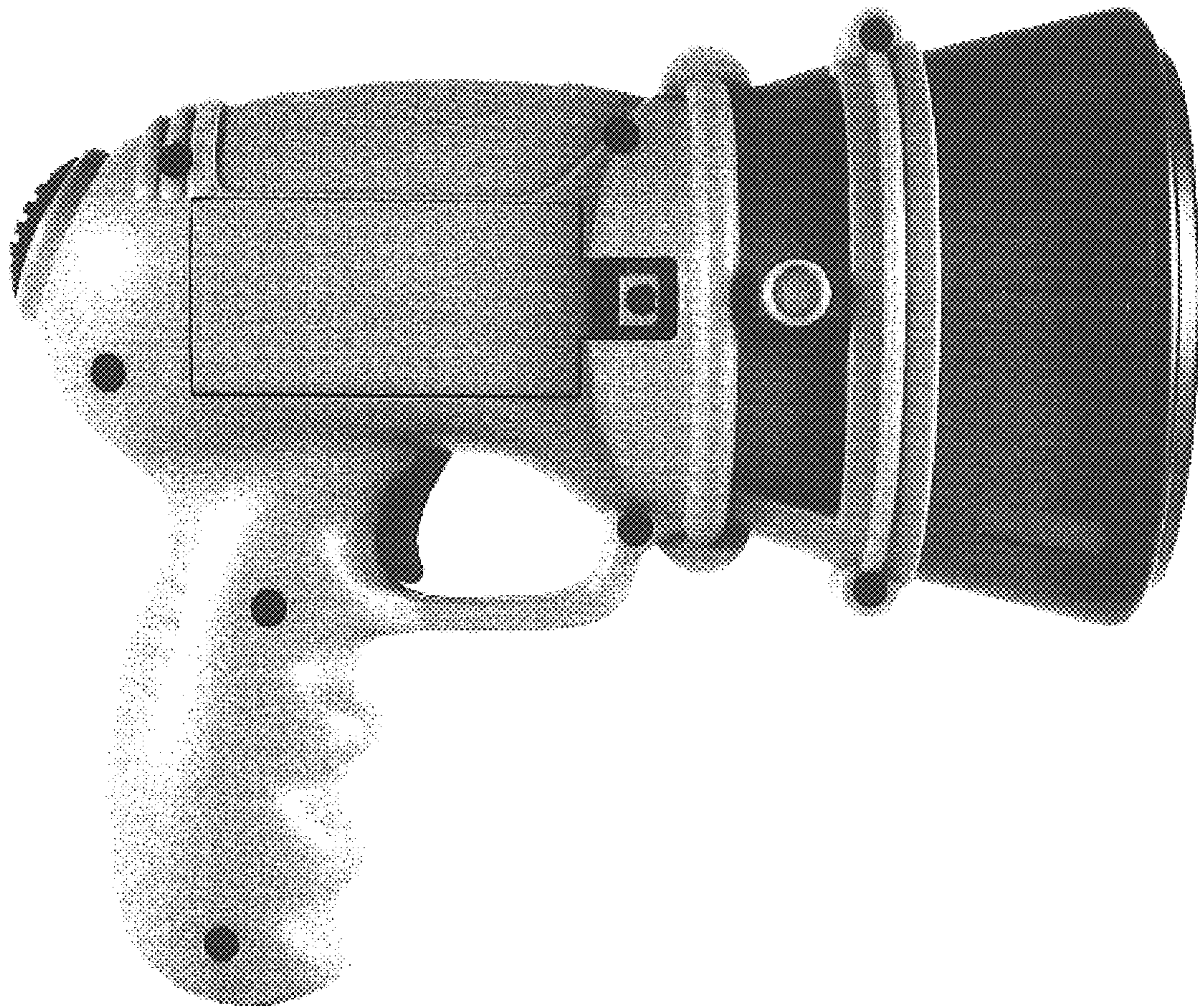


FIG. 4



FIG. 5

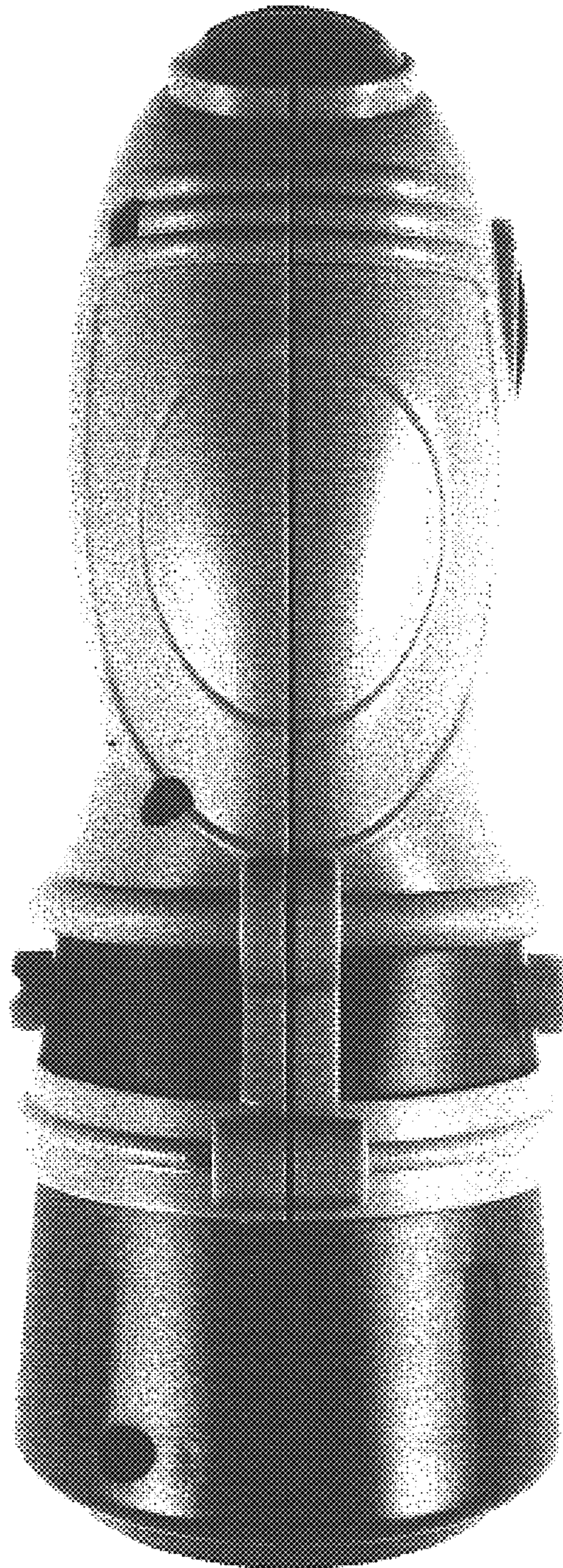


FIG. 6

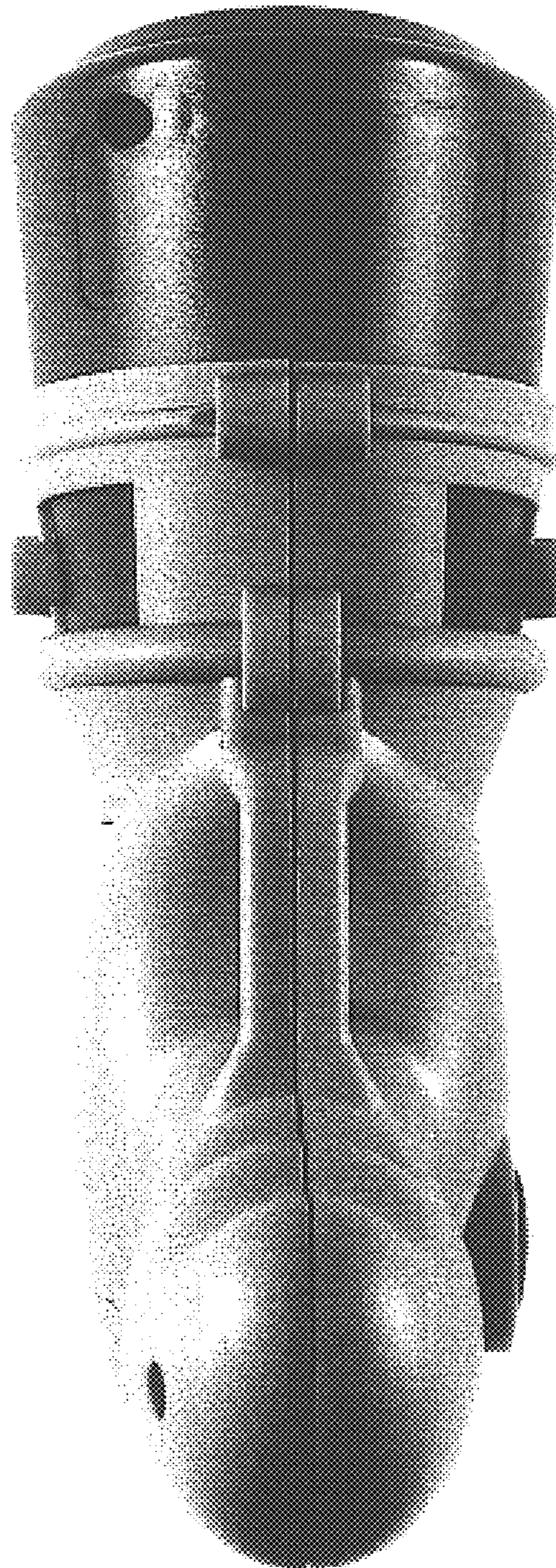


FIG. 7

