

US00D508713S

(12) **United States Design Patent**  
**Fetherolf et al.**

(10) **Patent No.: US D508,713 S**

(45) **Date of Patent: \*\* Aug. 23, 2005**

(54) **PRINTER**

(75) Inventors: **Will Fetherolf**, Boise, ID (US); **Dean Richtsmeier**, Boise, ID (US)

(73) Assignee: **Hewlett Packard Development Company, L.P.**, Houston, TX (US)

(\*\*) Term: **14 Years**

(21) Appl. No.: **29/173,254**

(22) Filed: **Dec. 23, 2002**

**Related U.S. Application Data**

(63) Continuation-in-part of application No. 29/148,812, filed on Sep. 26, 2001, now abandoned.

(51) **LOC (8) Cl.** ..... **14-02**

(52) **U.S. Cl.** ..... **D18/55**

(58) **Field of Search** ..... D18/50, 53, 54,  
D18/55, 36-39; D14/421-422, 425, 462-470;  
400/613, 613.1-613.4, 690.1-690.4, 691-694

(56) **References Cited**

**U.S. PATENT DOCUMENTS**

D431,048 S	*	9/2000	Gassett et al.	.....	D18/55
D432,566 S	*	10/2000	Bishop et al.	.....	D18/55
D439,275 S	*	3/2001	Ohashi	.....	D18/55
D450,756 S	*	11/2001	Fetherolf et al.	.....	D18/55

\* cited by examiner

*Primary Examiner*—Cathy Anne MacCormac

(57) **CLAIM**

The ornamental design for a printer, as shown.

**DESCRIPTION**

FIG. 1 is a right-front perspective view of a printer showing the new design;

FIG. 2 is a front view thereof;

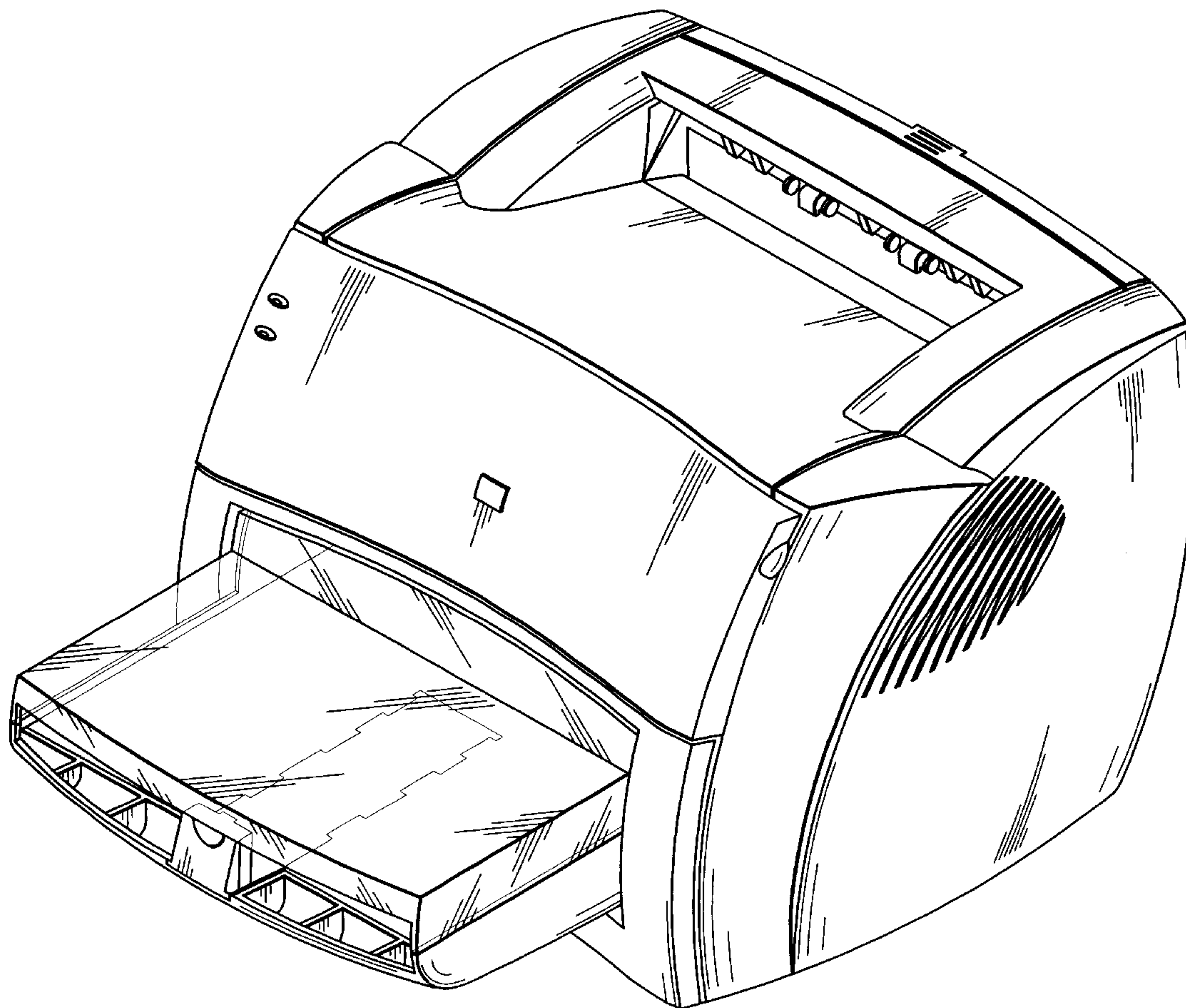
FIG. 3 is a rear view thereof;

FIG. 4 is a top view thereof;

FIG. 5 is a right side view thereof; and,

FIG. 6 is a left side view thereof.

**1 Claim, 4 Drawing Sheets**



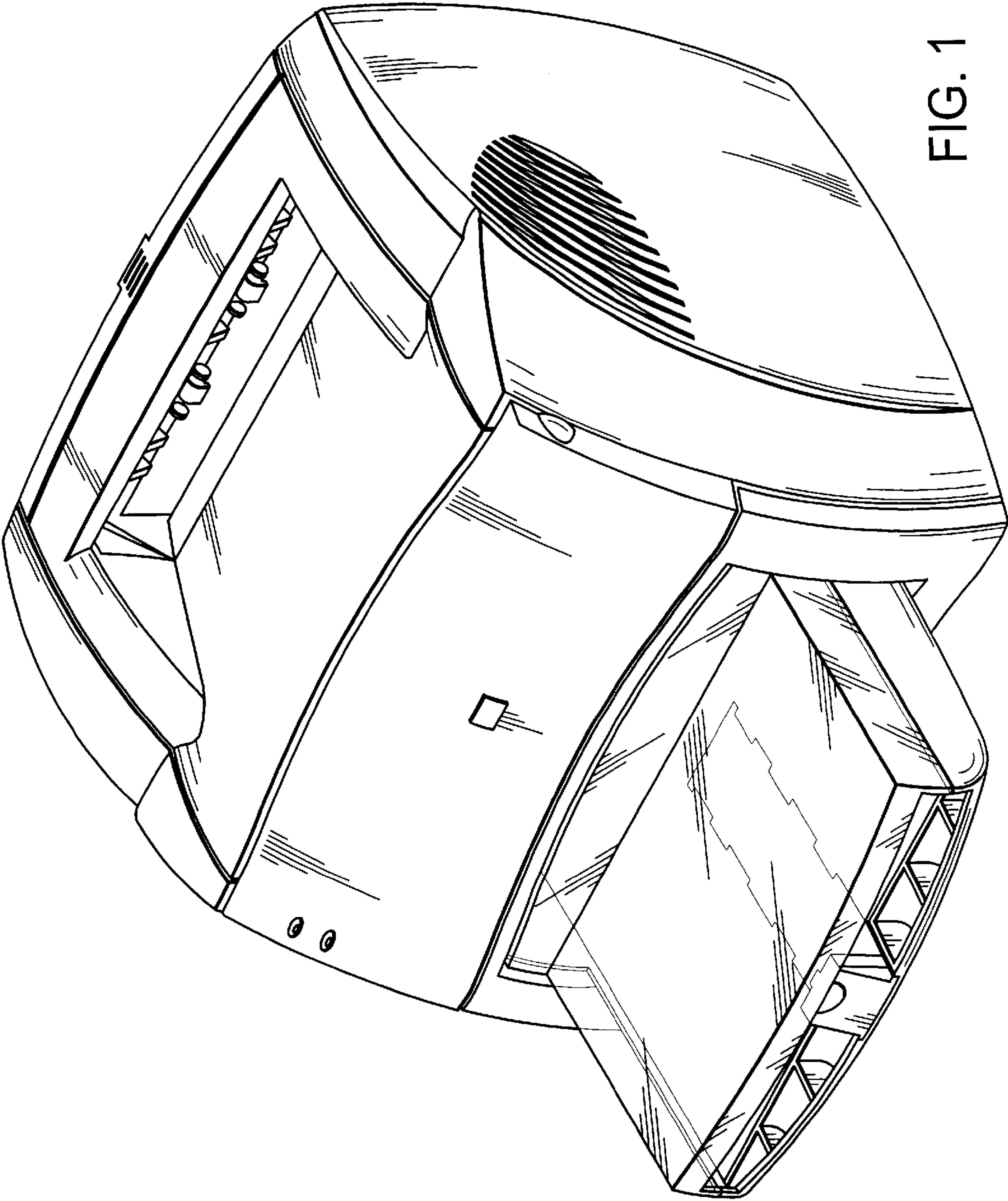


FIG. 1

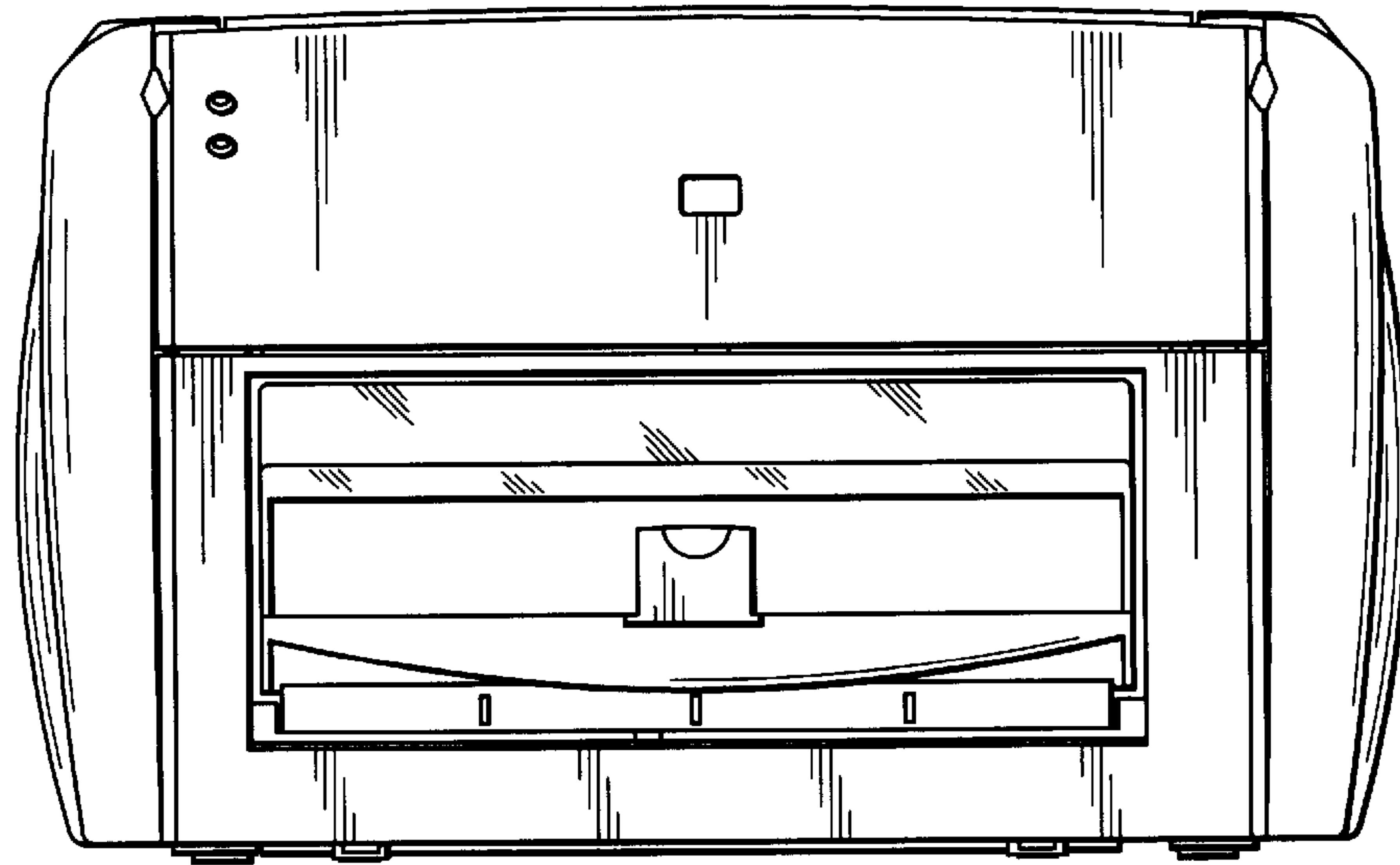


FIG. 2

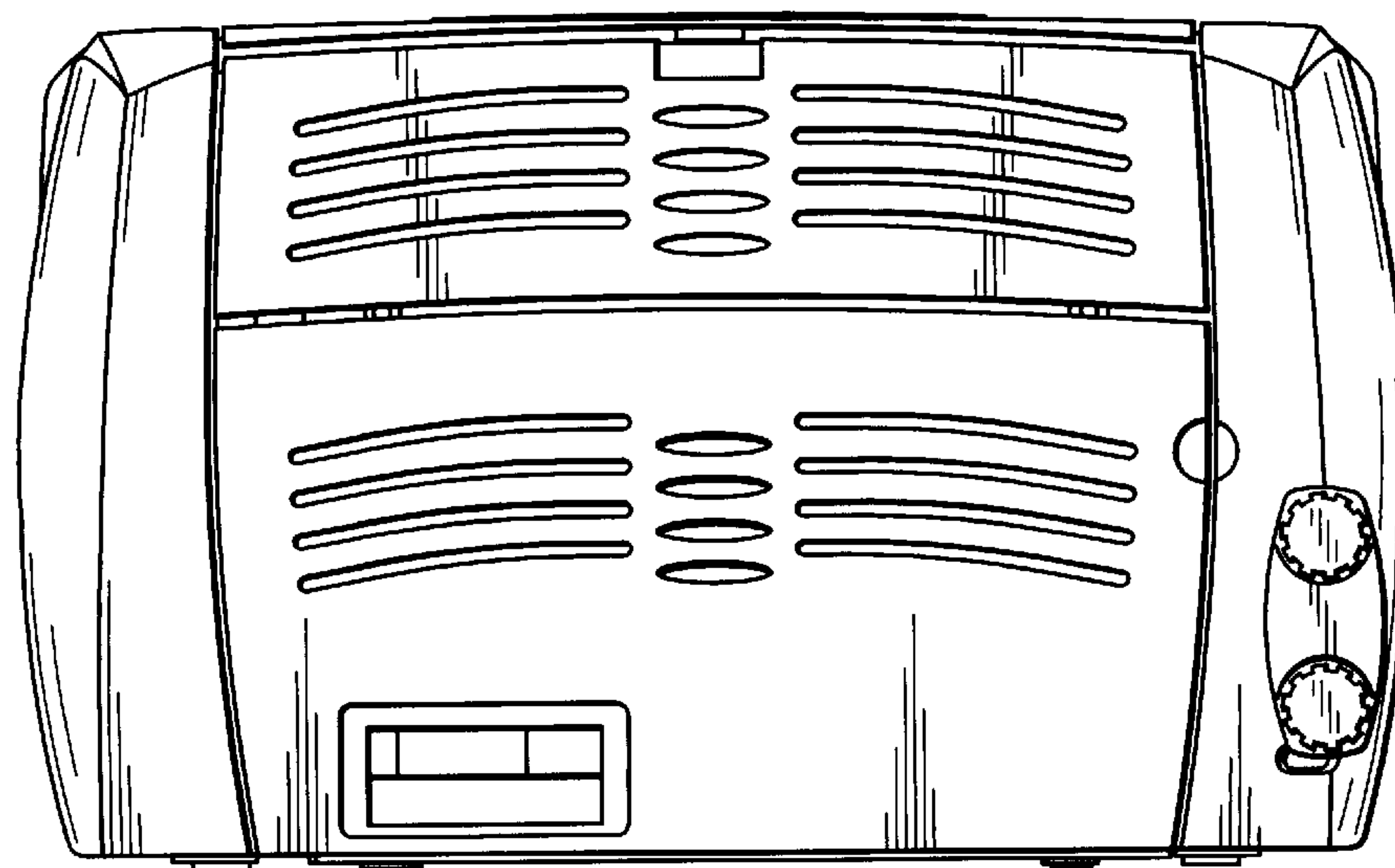


FIG. 3

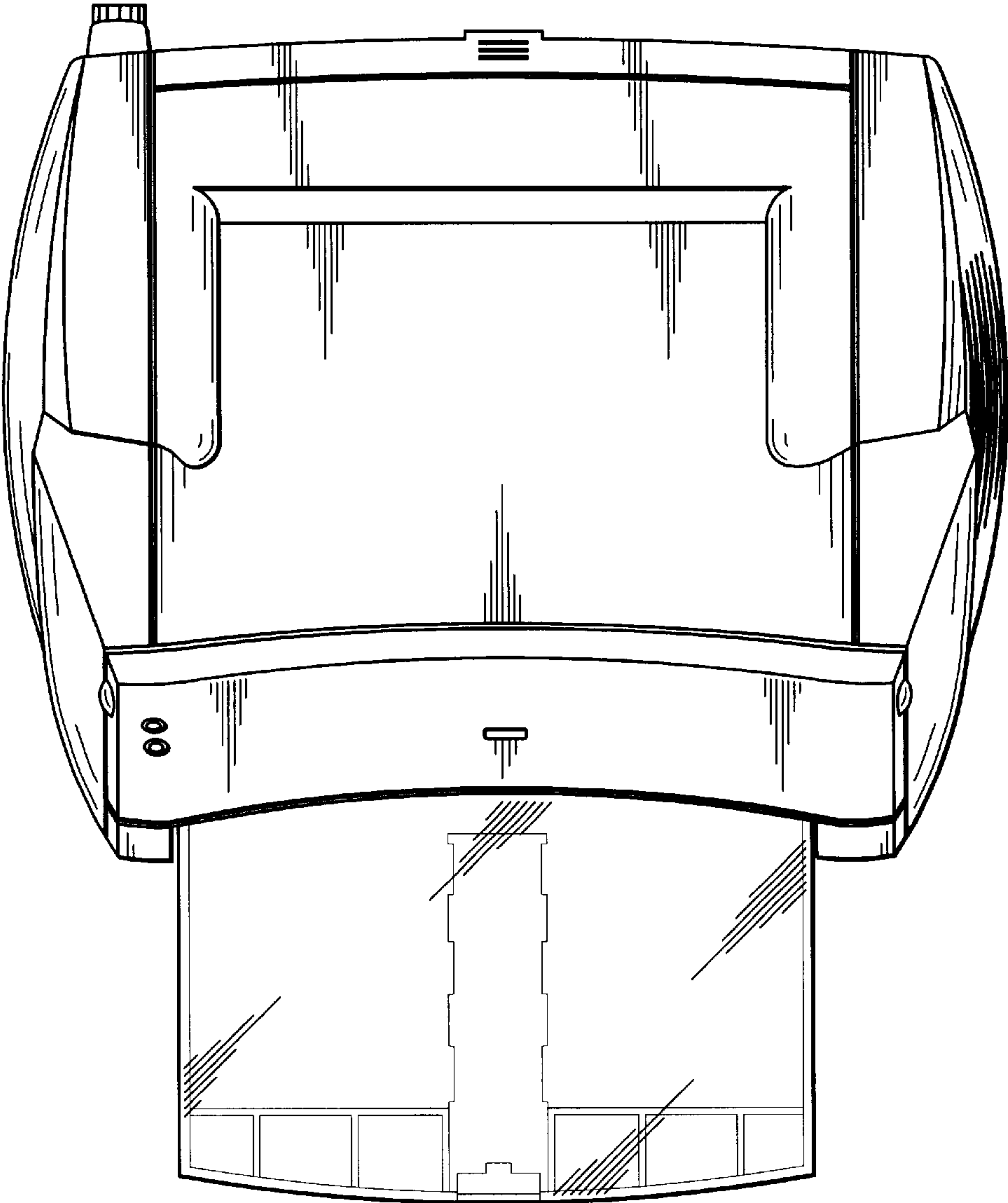


FIG. 4



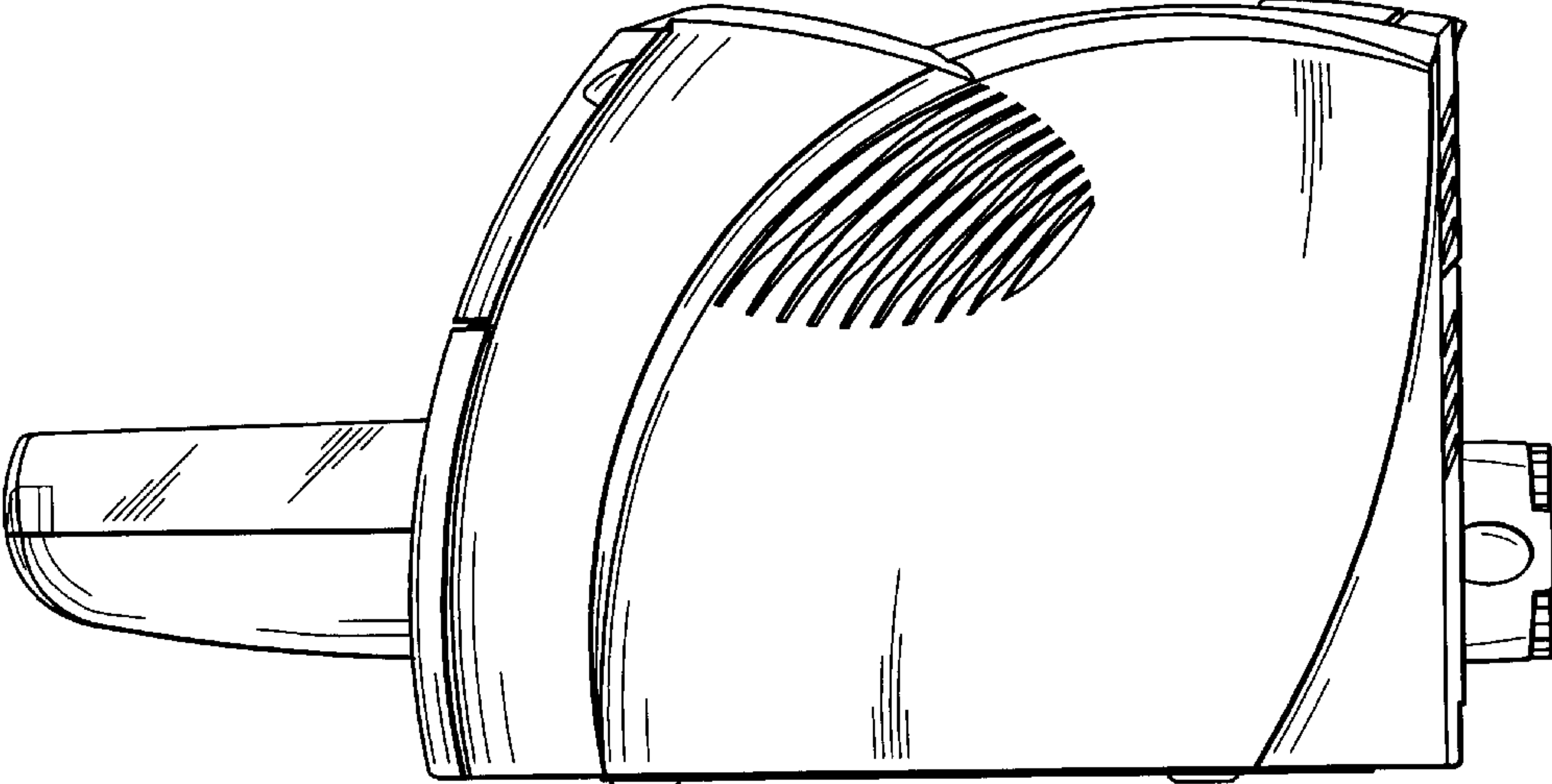


FIG. 5

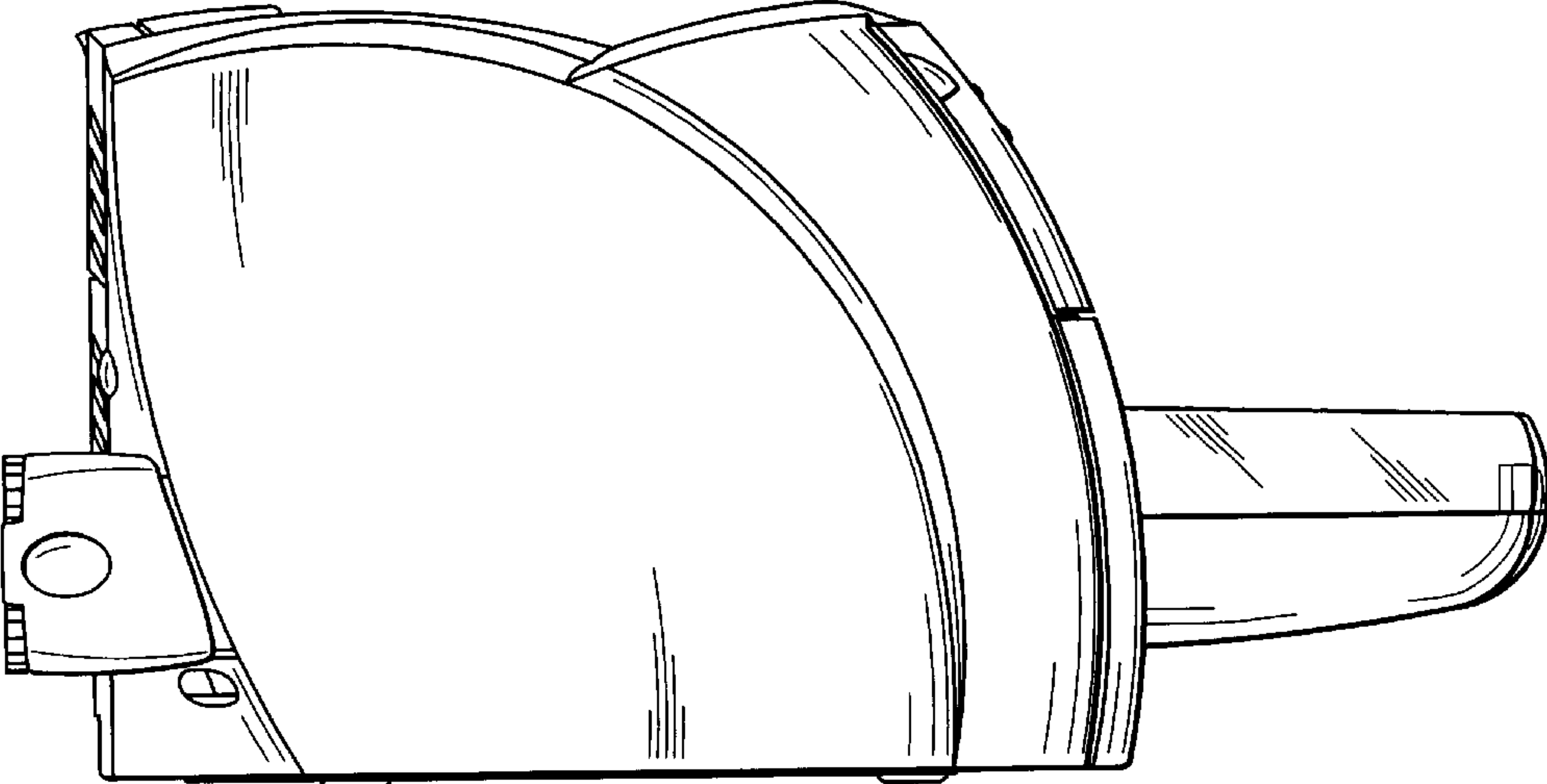


FIG. 6