



US00D508711S

(12) **United States Design Patent** (10) **Patent No.:** **US D508,711 S**  
**Suzuki** (45) **Date of Patent:** **\*\* Aug. 23, 2005**

(54) **CAMERA**

(75) Inventor: **Satoshi Suzuki**, Tokyo (JP)

(73) Assignee: **Sony Corporation**, Tokyo (JP)

(\*\*) Term: **14 Years**

(21) Appl. No.: **29/208,950**

(22) Filed: **Jul. 9, 2004**

(51) **LOC (8) Cl.** ..... **16-01**

(52) **U.S. Cl.** ..... **D16/218; D16/202**

(58) **Field of Search** ..... **D16/200-205,**  
**D16/208, 209, 218, 219; 348/373-376;**  
**358/909.1; 396/535-541**

(56) **References Cited**

**U.S. PATENT DOCUMENTS**

D387,078 S	*	12/1997	Akita	.....	D16/202
D410,663 S		6/1999	Ogasawara		
6,434,337 B1	*	8/2002	Misawa	.....	358/909.1
D474,218 S	*	5/2003	Nagayama	.....	D16/202
D484,902 S	*	1/2004	Baba	.....	D16/202
D494,203 S	*	8/2004	Yoo	.....	D16/202
D496,678 S	*	9/2004	Kawase	.....	D16/218

**OTHER PUBLICATIONS**

Web page "DSC-T1" www.yodobashi.com, 1 sheet,  
Yodobashi Camera (May 2004).

Web page "EX-S3 EXILIM" www.yodobashi.com, 1 sheet,  
Yodobashi Camera (May 2004).

Web page "DMC-FX5-S" www.yodobashi.com, 1 sheet,  
Yodobashi Camera (May 2004).

Web page "DiIMAGE X21" www.yodobashi.com, 1 sheet,  
Yodobashi Camera (May 2004).

\* cited by examiner

*Primary Examiner*—Adir Aronovich

(74) *Attorney, Agent, or Firm*—Rader, Fishman & Grauer  
PLLC

(57) **CLAIM**

The ornamental design for a camera, as shown.

**DESCRIPTION**

FIG. 1 is a perspective view of a camera showing myr new design;

FIG. 2 is a front elevational view thereof;

FIG. 3 is a rear elevational view thereof;

FIG. 4 is a left side elevational view thereof;

FIG. 5 is a right side elevational view thereof;

FIG. 6 is a top plan view thereof; and,

FIG. 7 is a bottom plan view thereof.

**1 Claim, 4 Drawing Sheets**

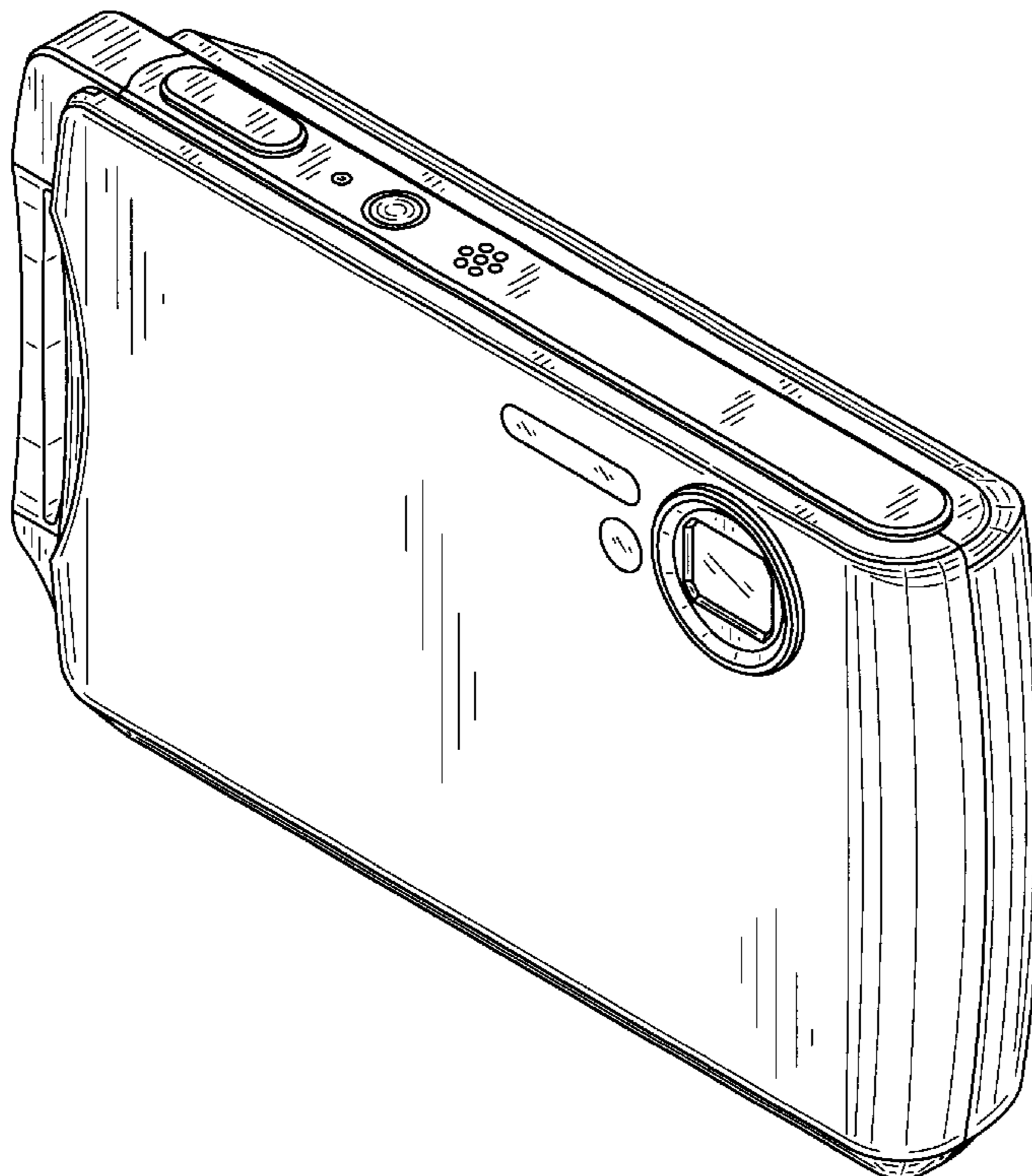


Fig. 1

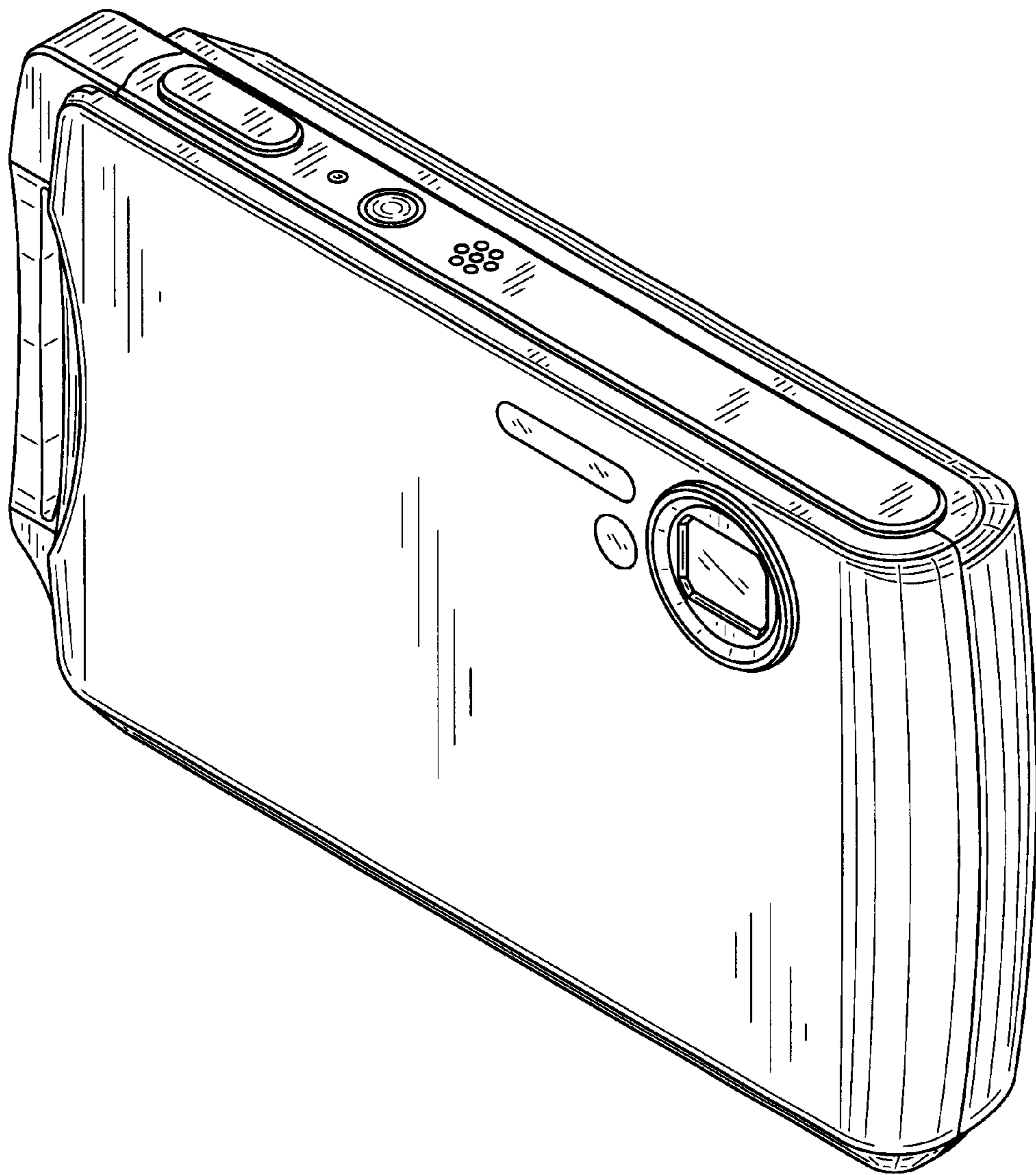


Fig.2

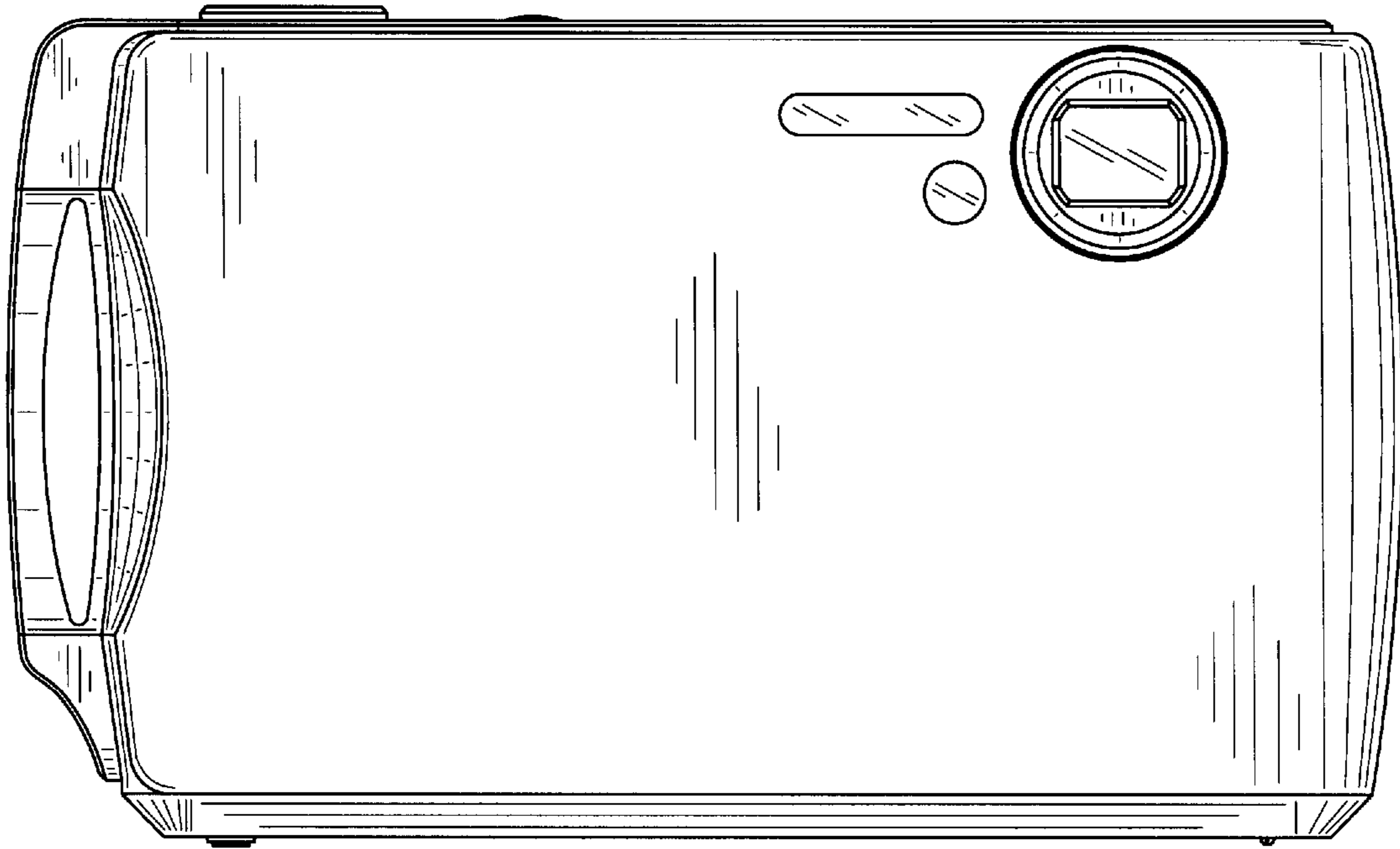


Fig.3

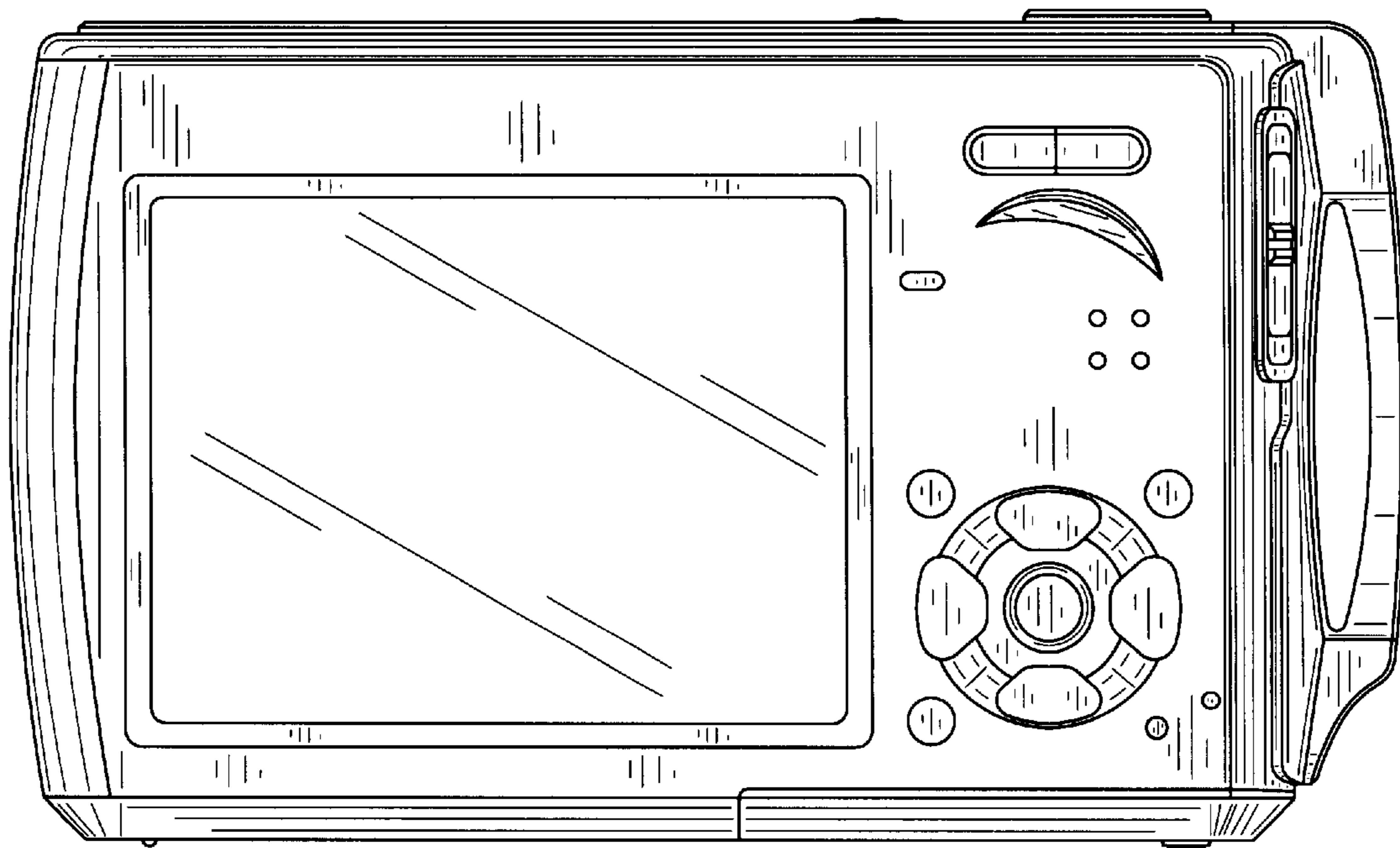


Fig.4

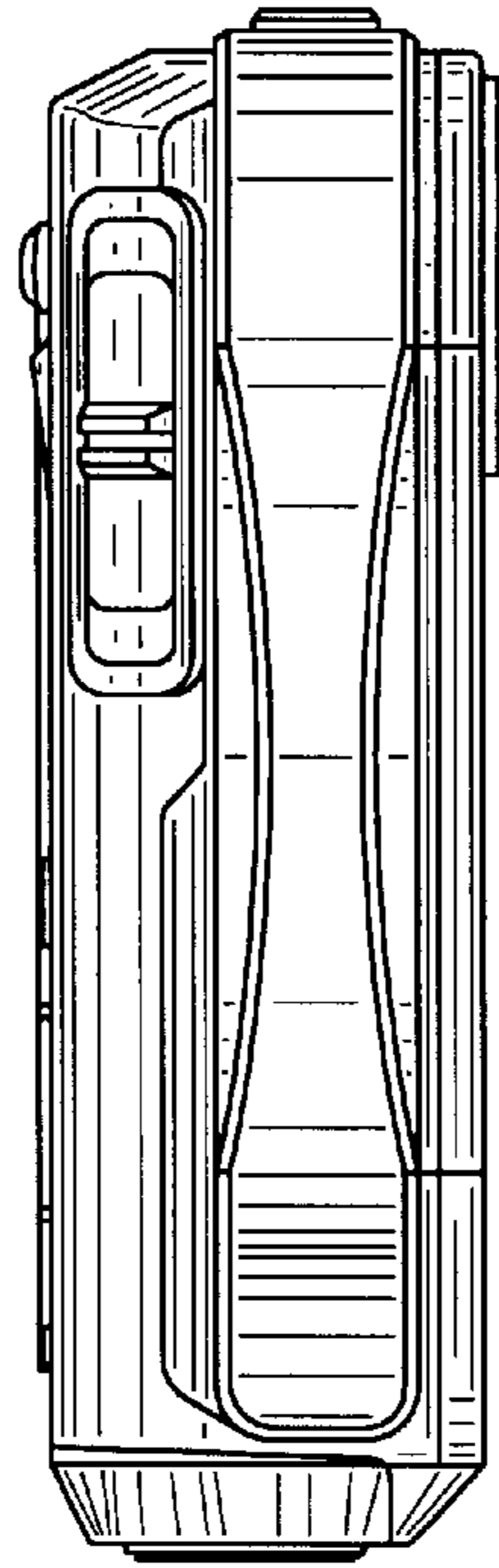


Fig.5

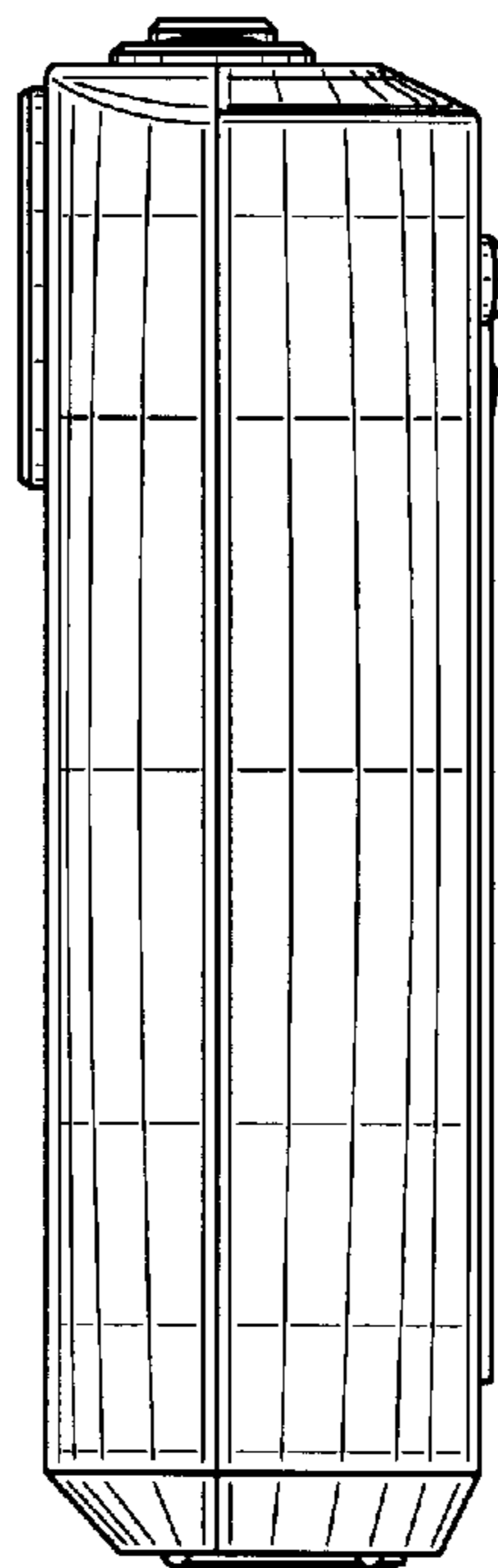


Fig.6

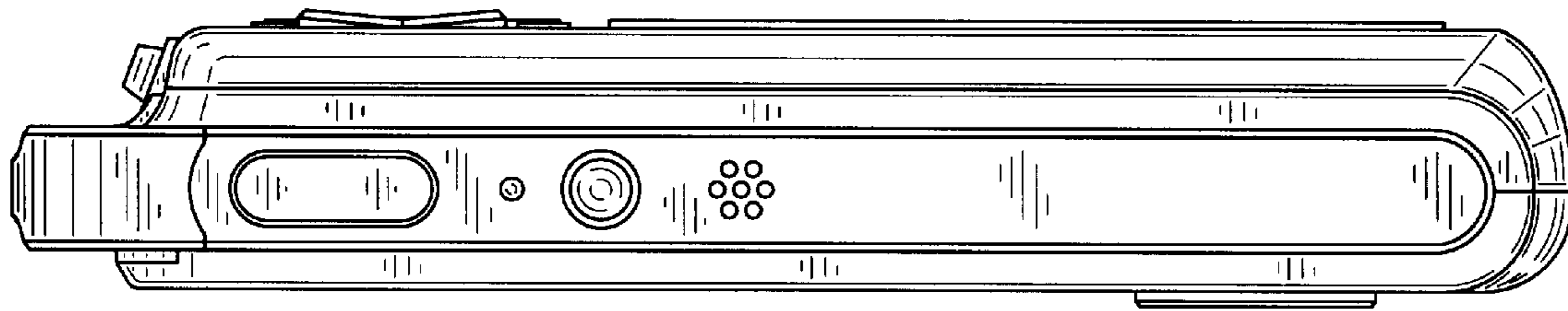


Fig.7

