



US00D508708S

(12) **United States Design Patent**
Ogura

(10) **Patent No.:** **US D508,708 S**

(45) **Date of Patent:** **** Aug. 23, 2005**

(54) **ELECTRONIC CAMERA**

(75) **Inventor:** **Ryosuke Ogura, Tokyo (JP)**

(73) **Assignee:** **Fuji Photo Film Co., Ltd., Kanagawa (JP)**

(**) **Term:** **14 Years**

(21) **Appl. No.:** **29/209,241**

(22) **Filed:** **Jul. 14, 2004**

(30) **Foreign Application Priority Data**

Jan. 16, 2004 (JP) 2004-000953

(51) **LOC (8) Cl.** **16-01**

(52) **U.S. Cl.** **D16/202**

(58) **Field of Search** D16/200-206,
D16/208, 209, 212, 218; 348/373-376;
358/906, 909.1; 396/6, 349, 448, 535, 536-541

(56) **References Cited**

U.S. PATENT DOCUMENTS

- 4,557,574 A * 12/1985 Kohno et al. 396/448
- D415,511 S * 10/1999 Funakoshi et al. D16/209
- D444,489 S * 7/2001 Suto et al. D16/212
- 6,347,893 B1 * 2/2002 Shiono et al. 396/448

- D477,621 S * 7/2003 Katayama D16/202
- D491,591 S * 6/2004 Naito D16/202
- D494,990 S * 8/2004 Su et al. D16/202

* cited by examiner

Primary Examiner—Adir Aronovich

(74) *Attorney, Agent, or Firm*—Young & Thompson

(57) **CLAIM**

The ornamental design for an electronic camera, as shown and described.

DESCRIPTION

FIG. 1 is a top, front and side perspective view of an electronic camera showing my new design;
 FIG. 2 is a front elevational view thereof;
 FIG. 3 is a rear elevational view thereof;
 FIG. 4 is a top plan view thereof;
 FIG. 5 is a bottom plan view thereof;
 FIG. 6 is a side elevational view thereof from the left of FIG. 2;
 FIG. 7 is a side elevational view thereof from the right of FIG. 2; and,
 FIG. 8 is a view similar to FIG. 1 but with the parts in a different position.

1 Claim, 4 Drawing Sheets

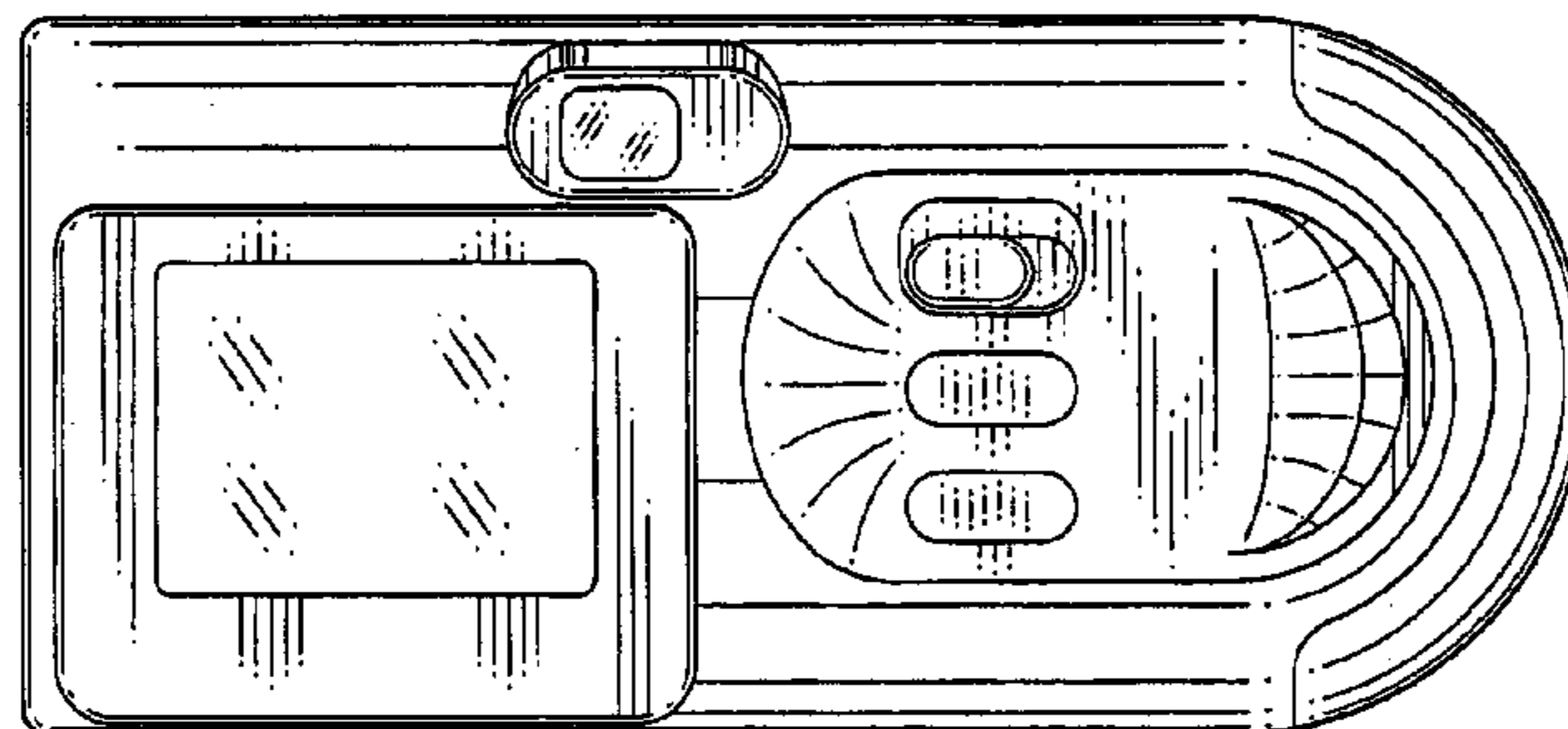
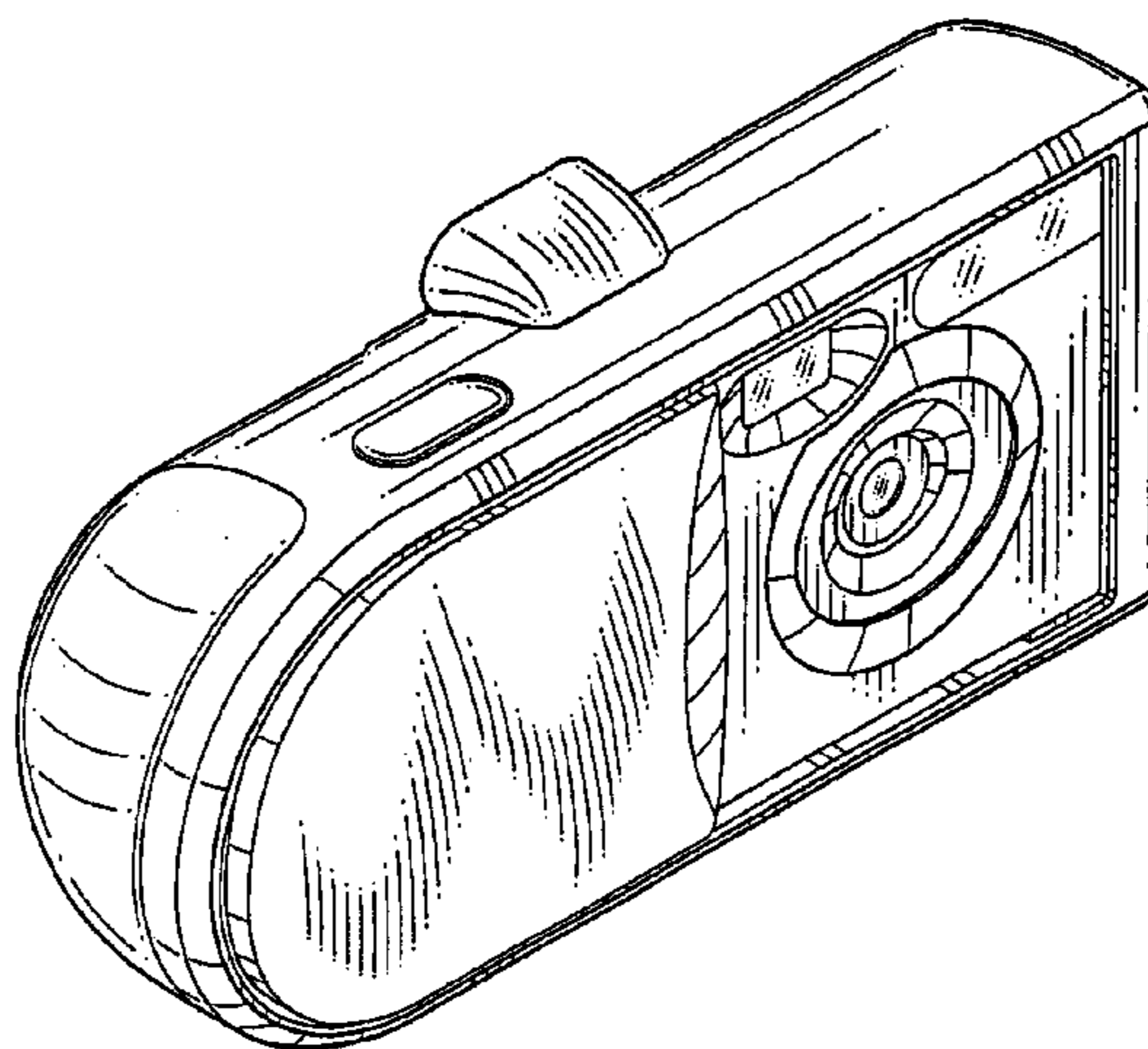


FIG.1

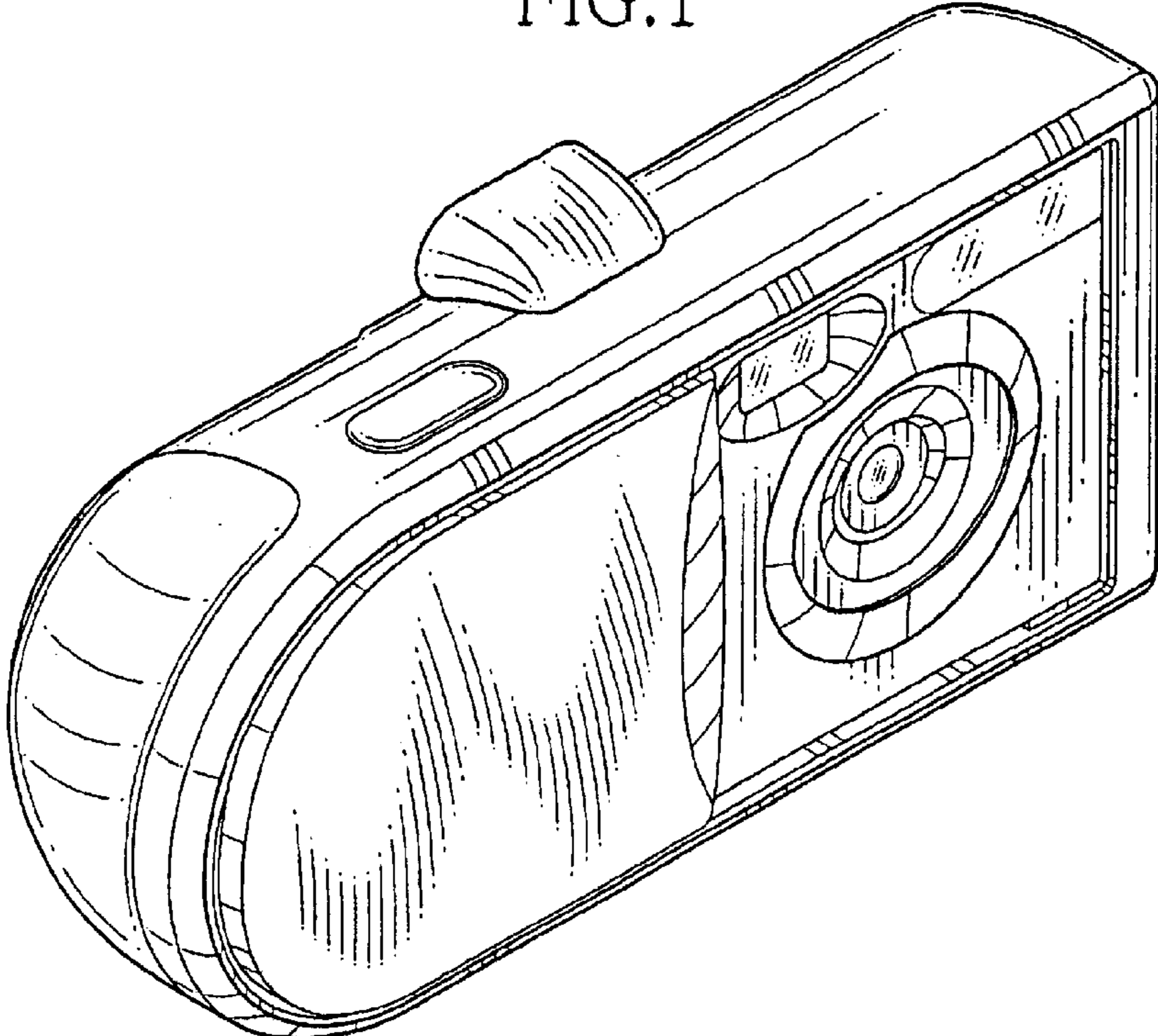


FIG.2

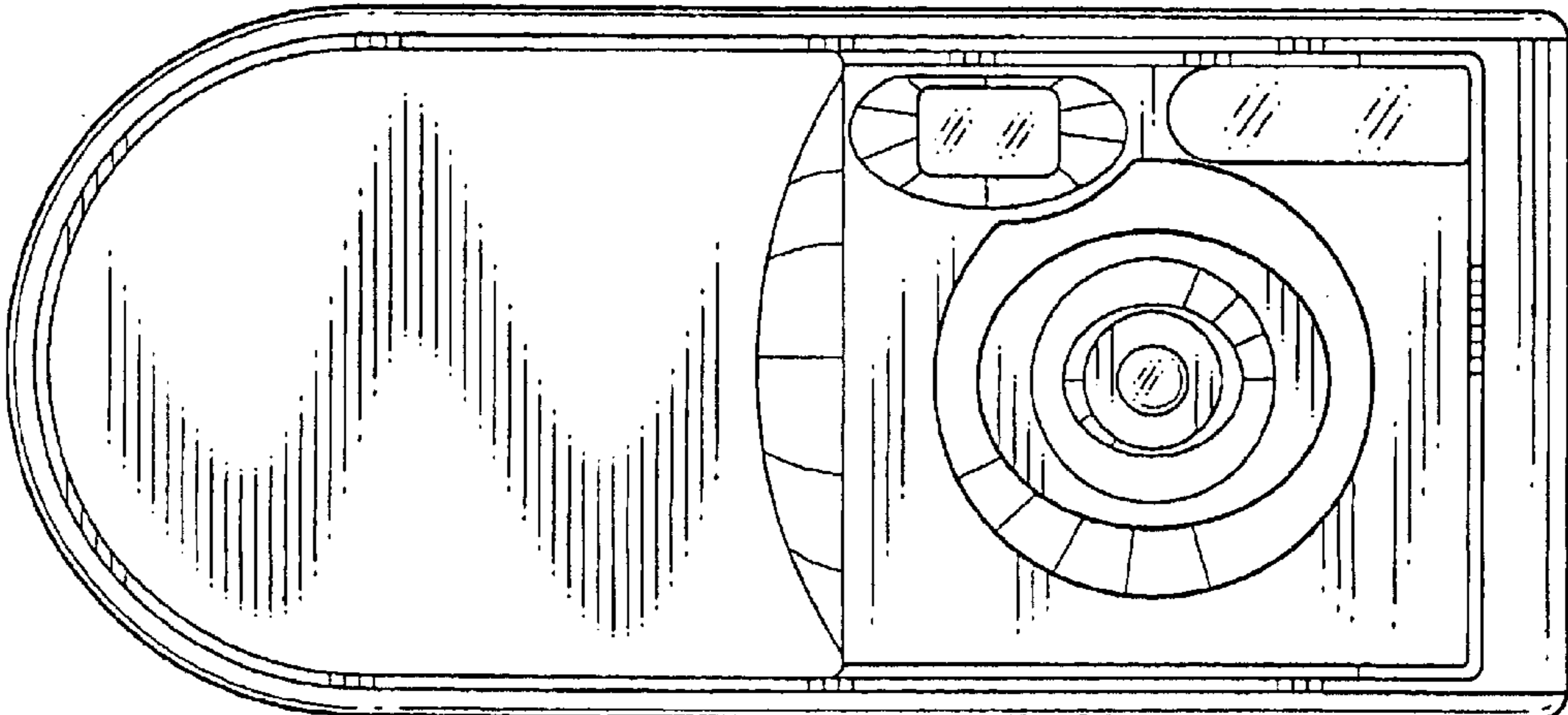


FIG.3

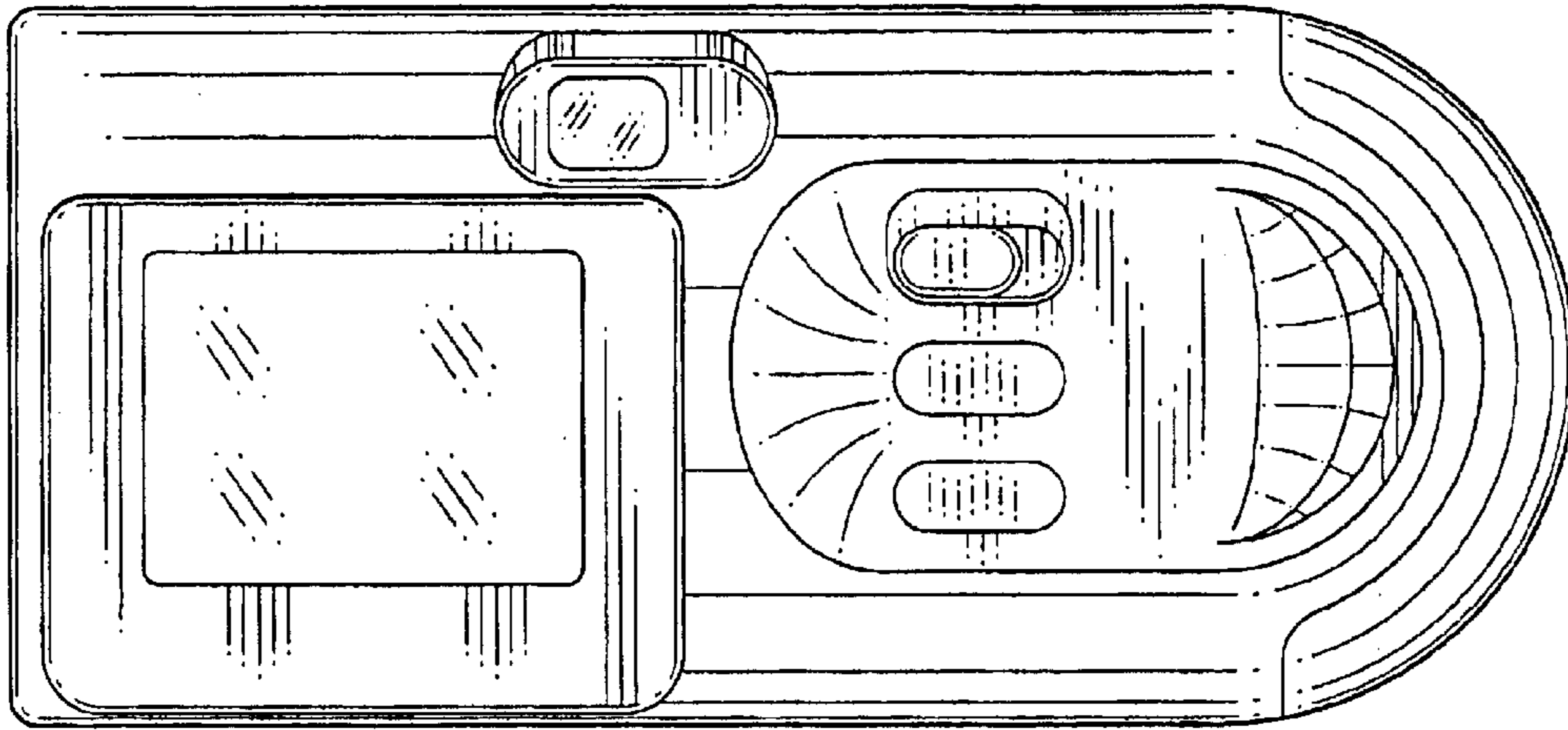


FIG.4

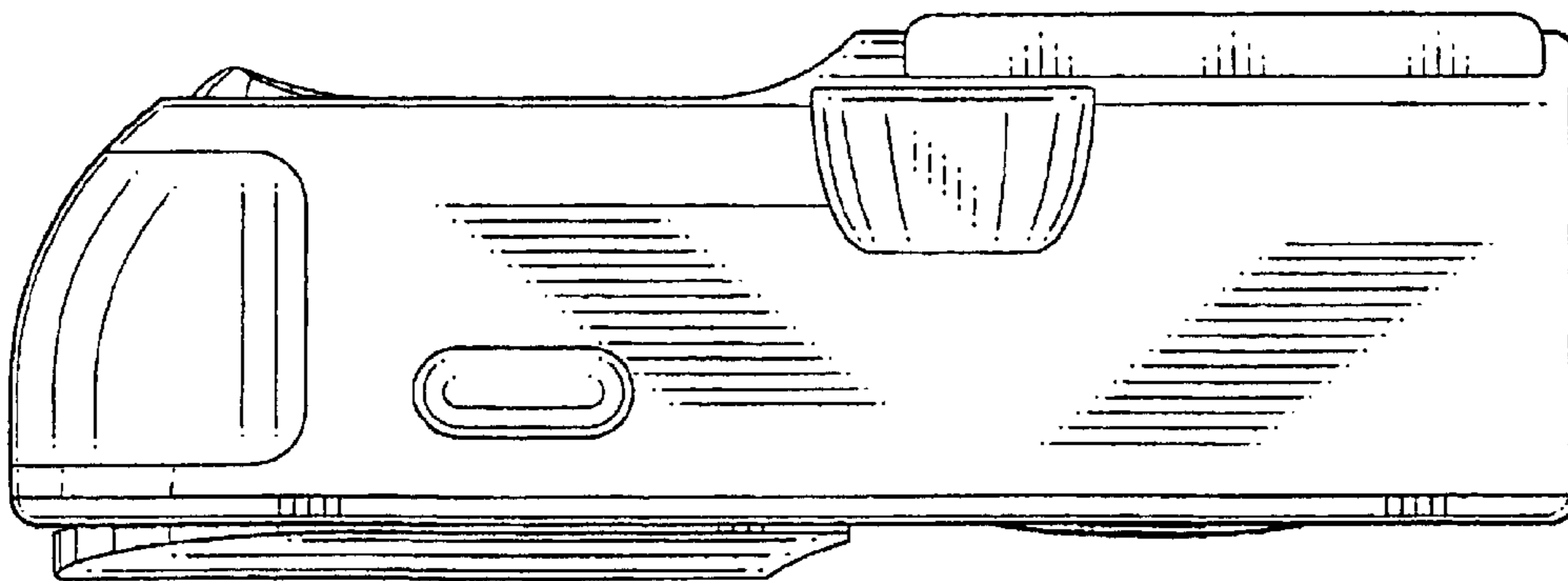


FIG.5

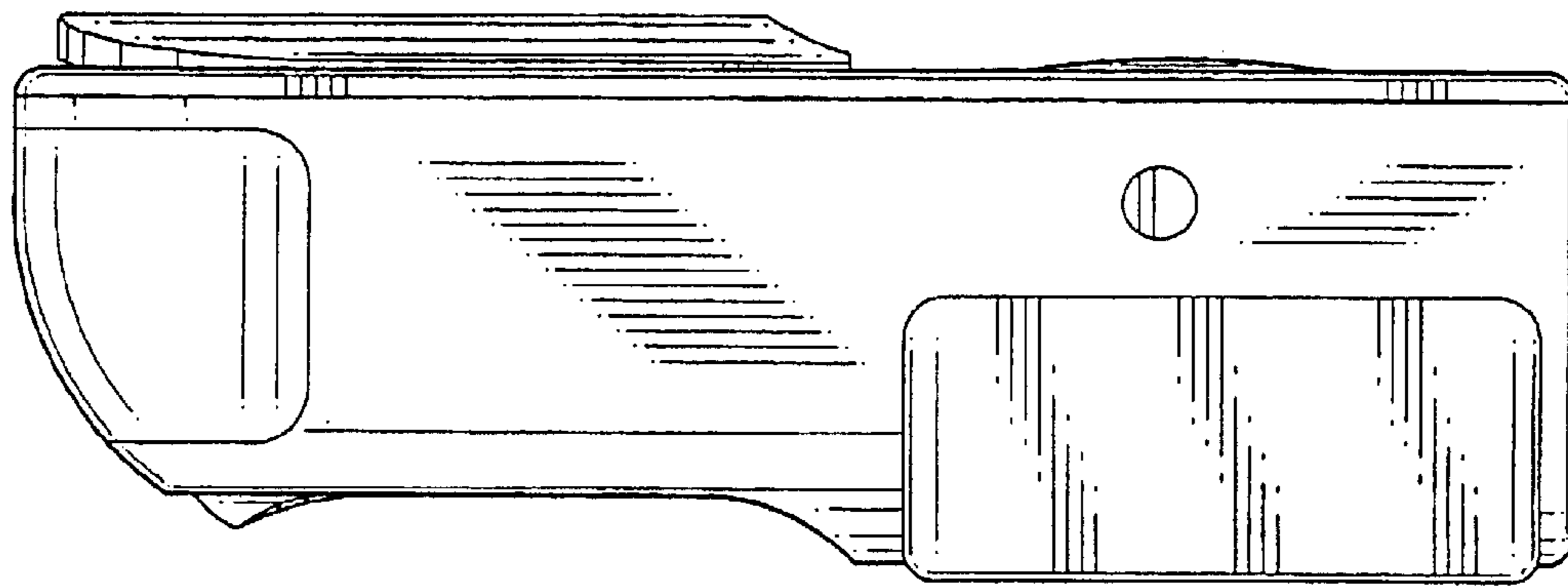


FIG.6

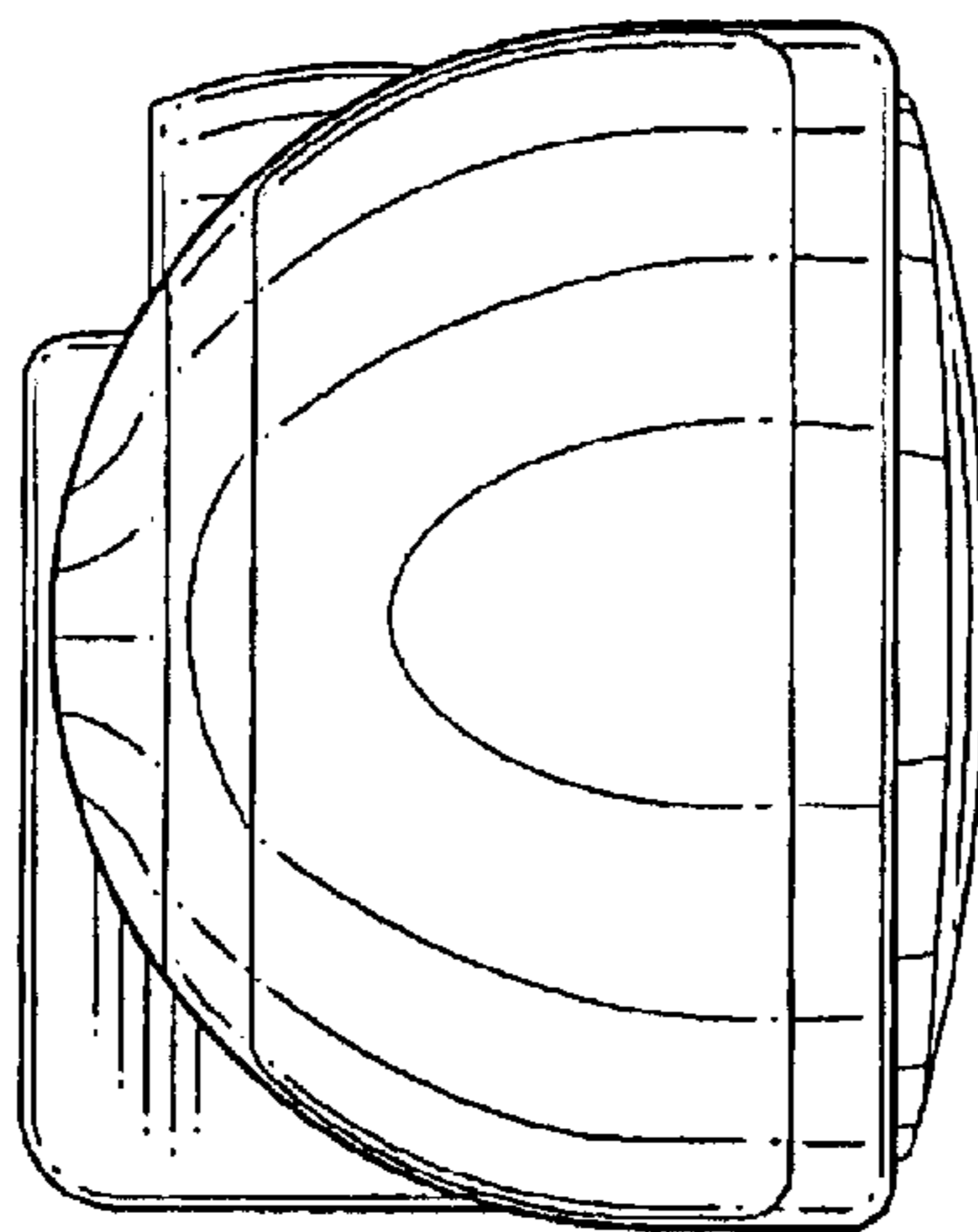


FIG.7

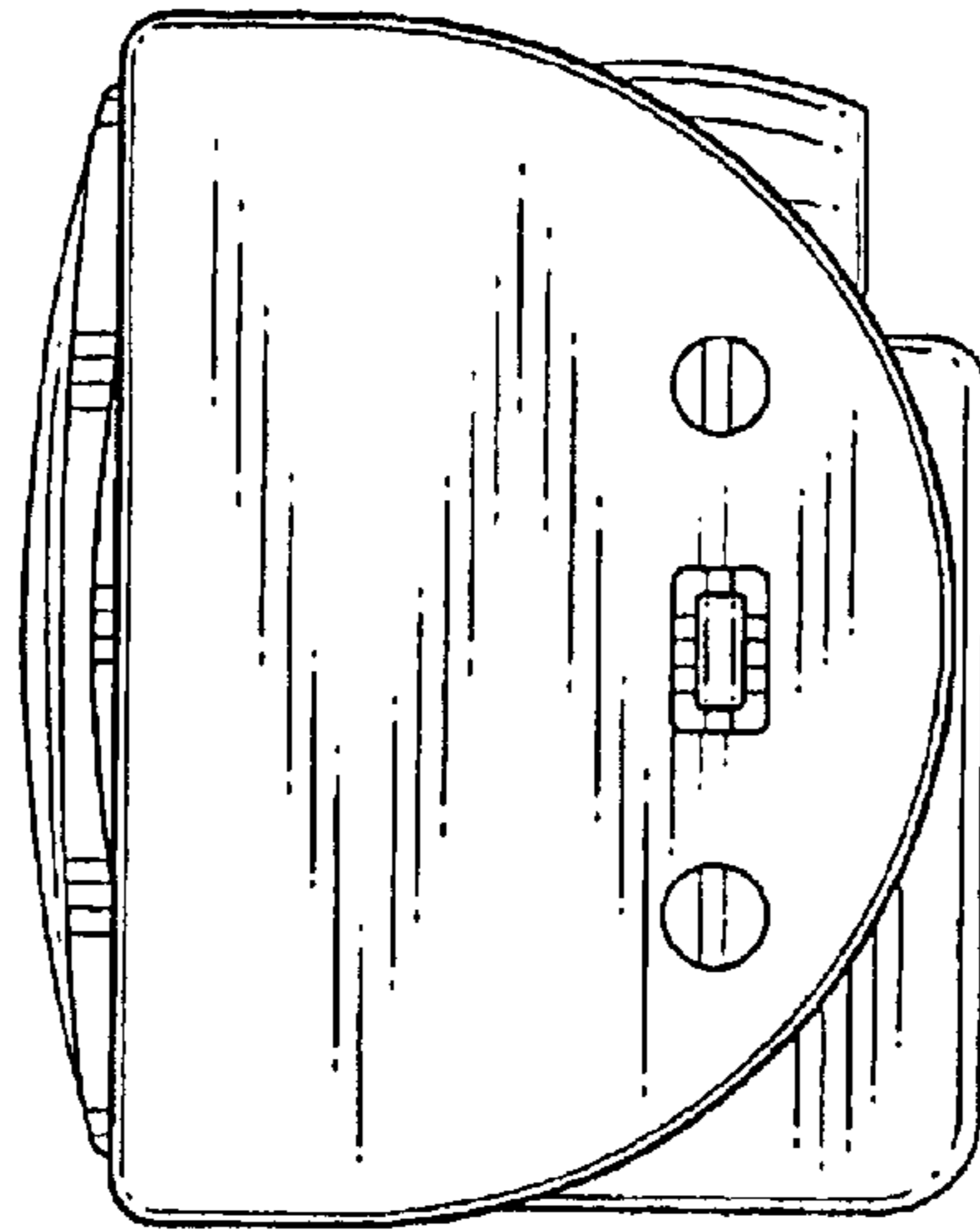


FIG.8

