



US00D508707S

(12) **United States Design Patent**  
**Hayashi**

(10) **Patent No.: US D508,707 S**

(45) **Date of Patent: \*\* Aug. 23, 2005**

(54) **BINOCULARS**

(75) **Inventor: Tatsuyuki Hayashi, Tokyo (JP)**

(73) **Assignee: PENTAX Corporation, Tokyo (JP)**

(\*\*) **Term: 14 Years**

(21) **Appl. No.: 29/211,062**

(22) **Filed: Aug. 11, 2004**

(30) **Foreign Application Priority Data**

Feb. 12, 2004 (JP) ..... 2004-003532

(51) **LOC (8) Cl. .... 16-06**

(52) **U.S. Cl. .... D16/133**

(58) **Field of Search** ..... D16/130, 132,  
D16/133; 359/407, 408, 409, 410, 411,  
412, 413, 414, 415, 416, 417, 418, 480,  
481, 482

(56) **References Cited**

**U.S. PATENT DOCUMENTS**

- D306,606 S \* 3/1990 Yamanaka et al. .... D16/133
- D359,973 S \* 7/1995 Hayamizu ..... D16/133
- D364,631 S \* 11/1995 Hamamura ..... D16/133

- D413,131 S \* 8/1999 Koinuma ..... D16/133
- D418,850 S \* 1/2000 Lee ..... D16/133
- D457,541 S \* 5/2002 Hayashi ..... D16/133
- D473,247 S \* 4/2003 Koinuma ..... D16/133
- D474,790 S \* 5/2003 Igarashi ..... D16/133

\* cited by examiner

*Primary Examiner*—Paula A. Greene

(74) *Attorney, Agent, or Firm*—Sughrue Mion, PLLC

(57) **CLAIM**

The ornamental design for binoculars, as shown.

**DESCRIPTION**

FIG. 1 is a perspective view of the top, front and right side of binoculars showing my new design;  
 FIG. 2 is a perspective view of the top, rear and left side thereof;  
 FIG. 3 is a front elevational view thereof;  
 FIG. 4 is a rear elevational view thereof;  
 FIG. 5 is a right side elevational view thereof;  
 FIG. 6 is a left side elevational view thereof;  
 FIG. 7 is a top plan view thereof; and,  
 FIG. 8 is a bottom plan view thereof.

**1 Claim, 6 Drawing Sheets**

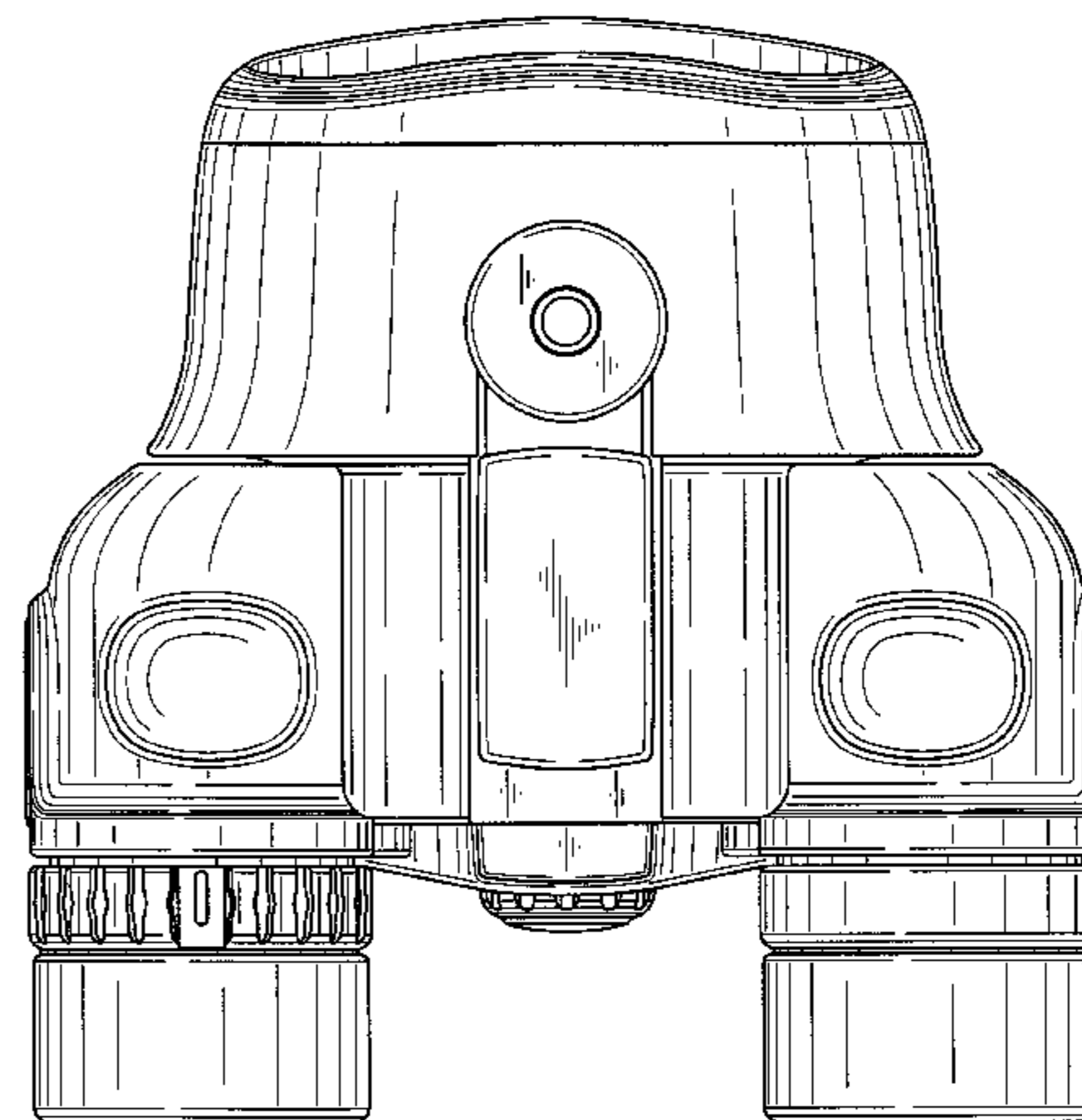
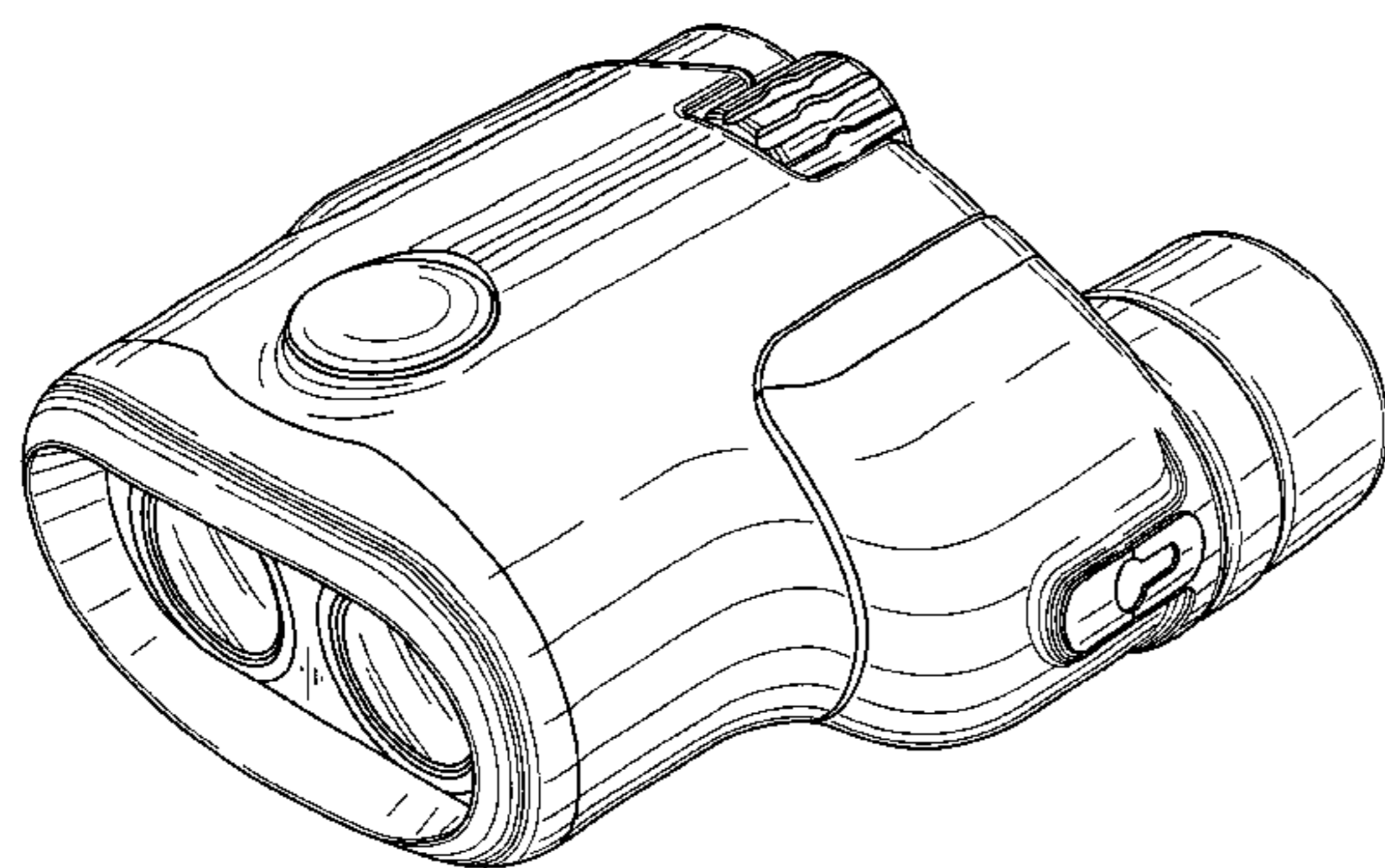


FIG. 1

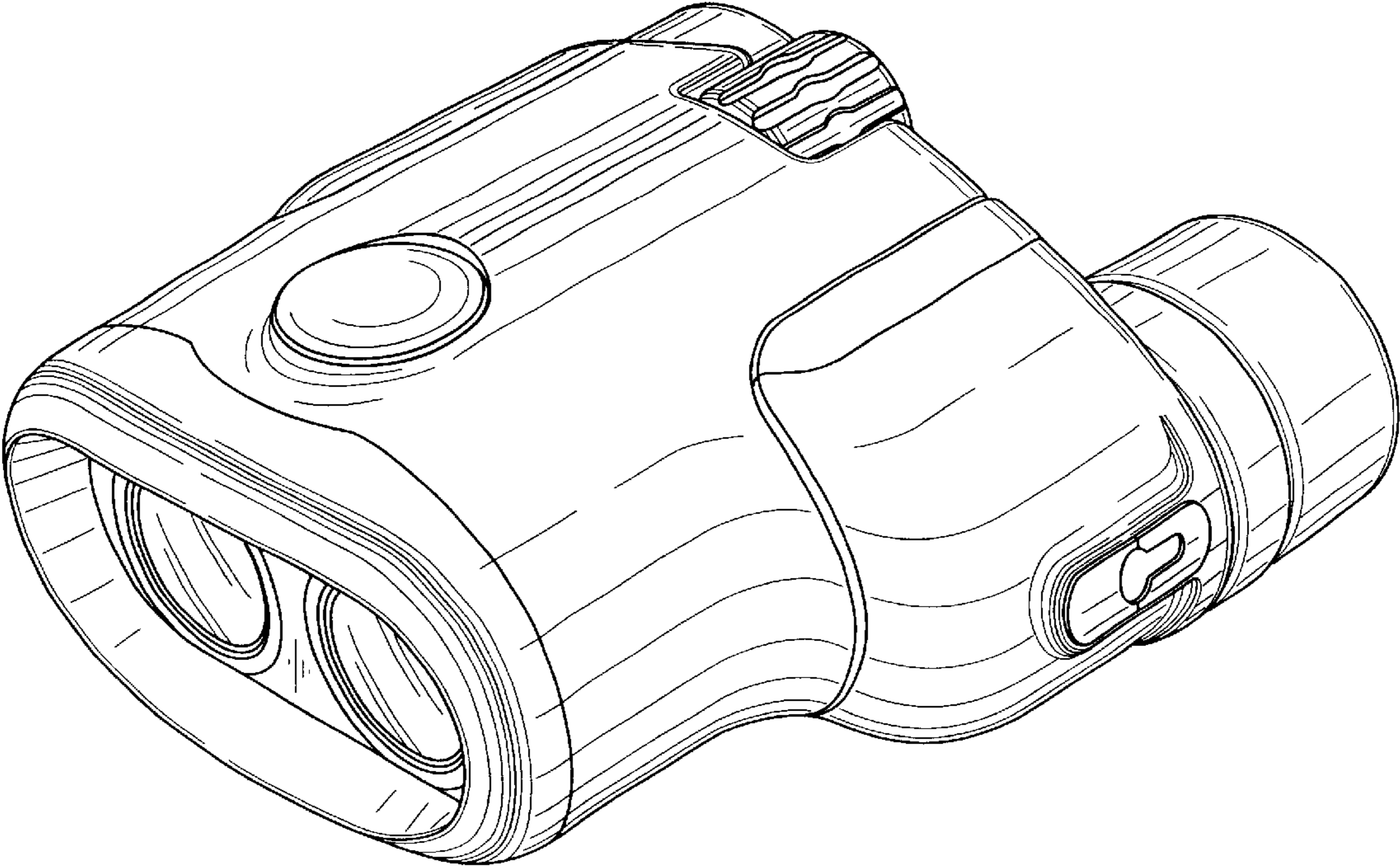
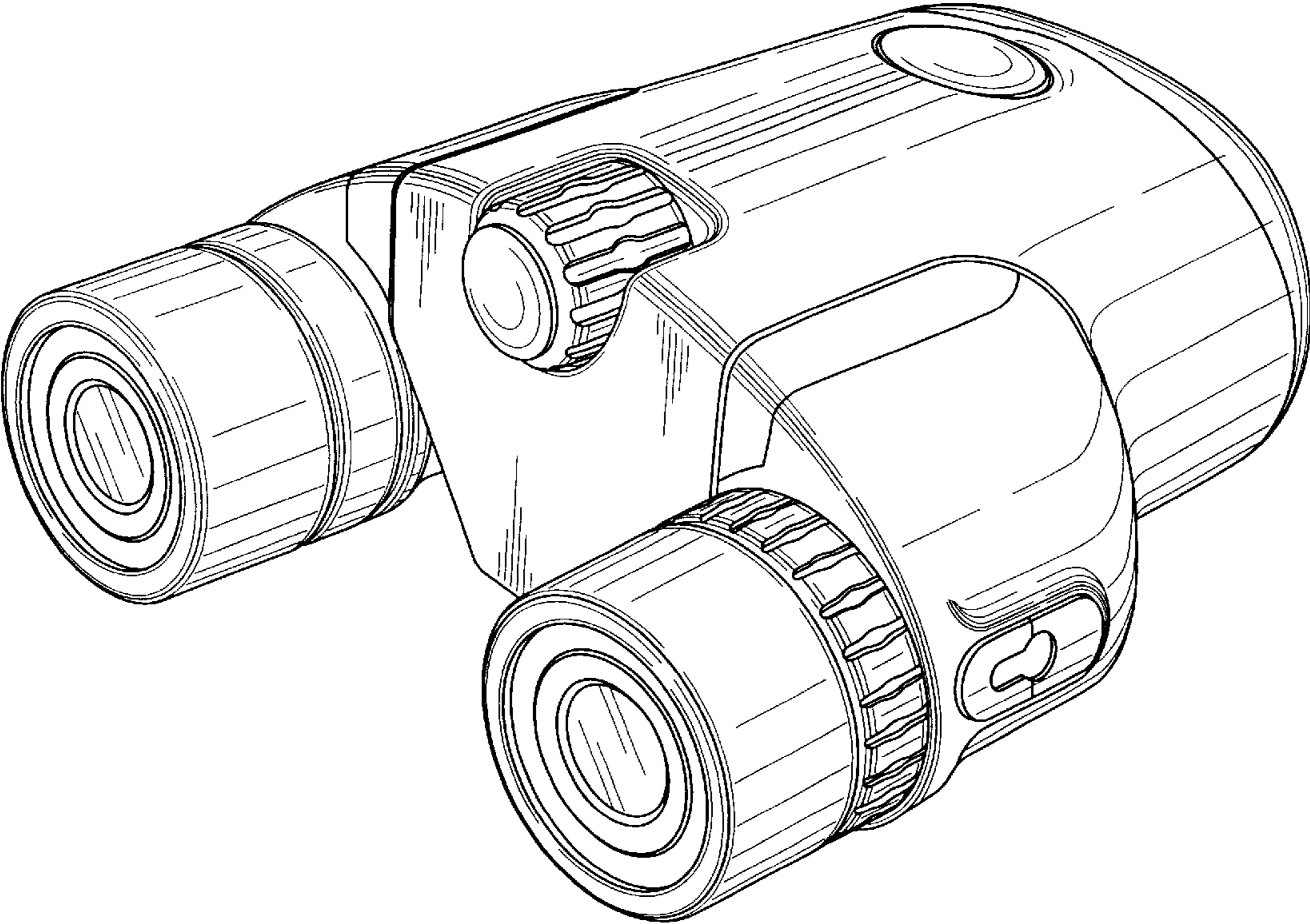
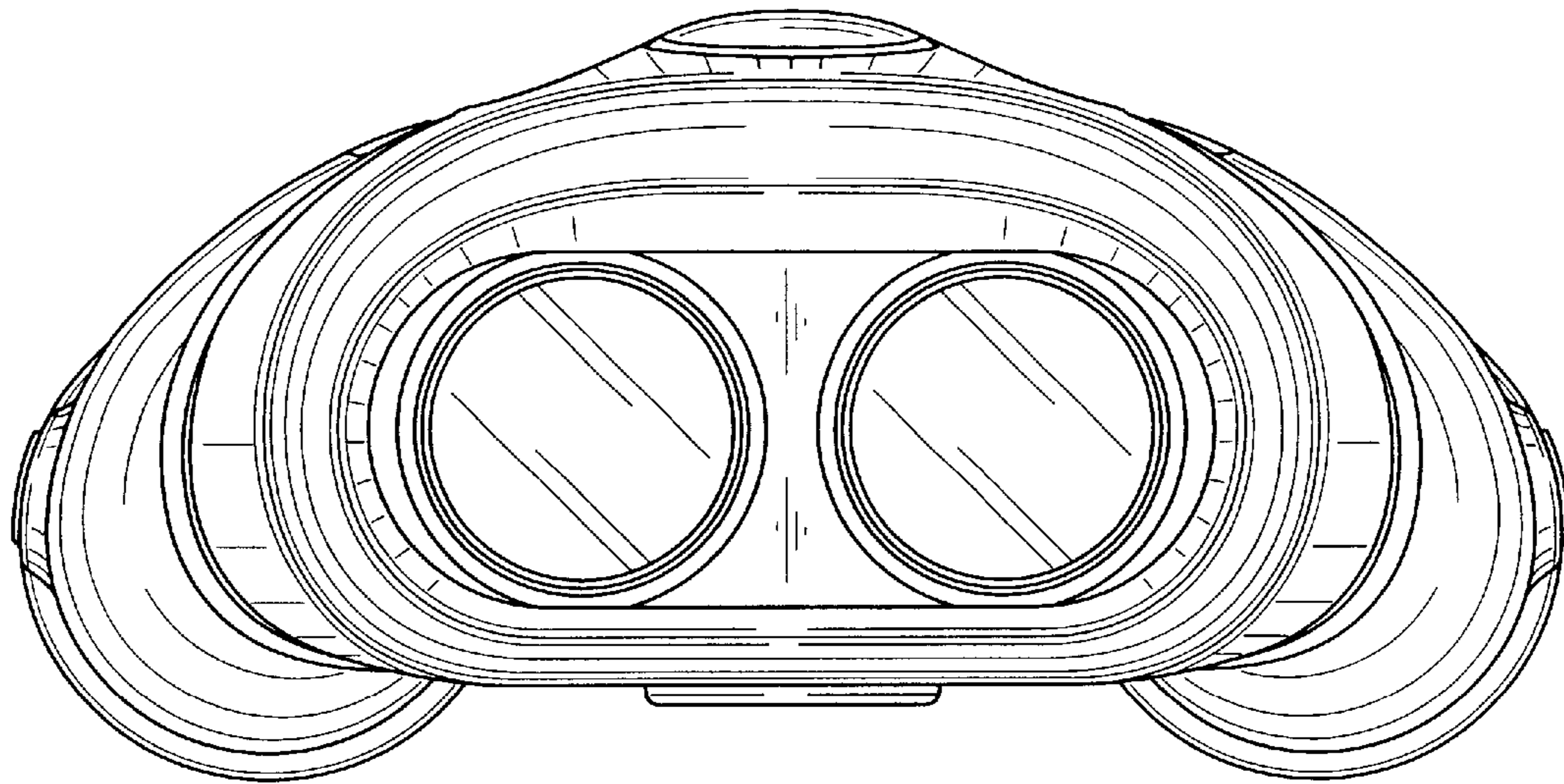


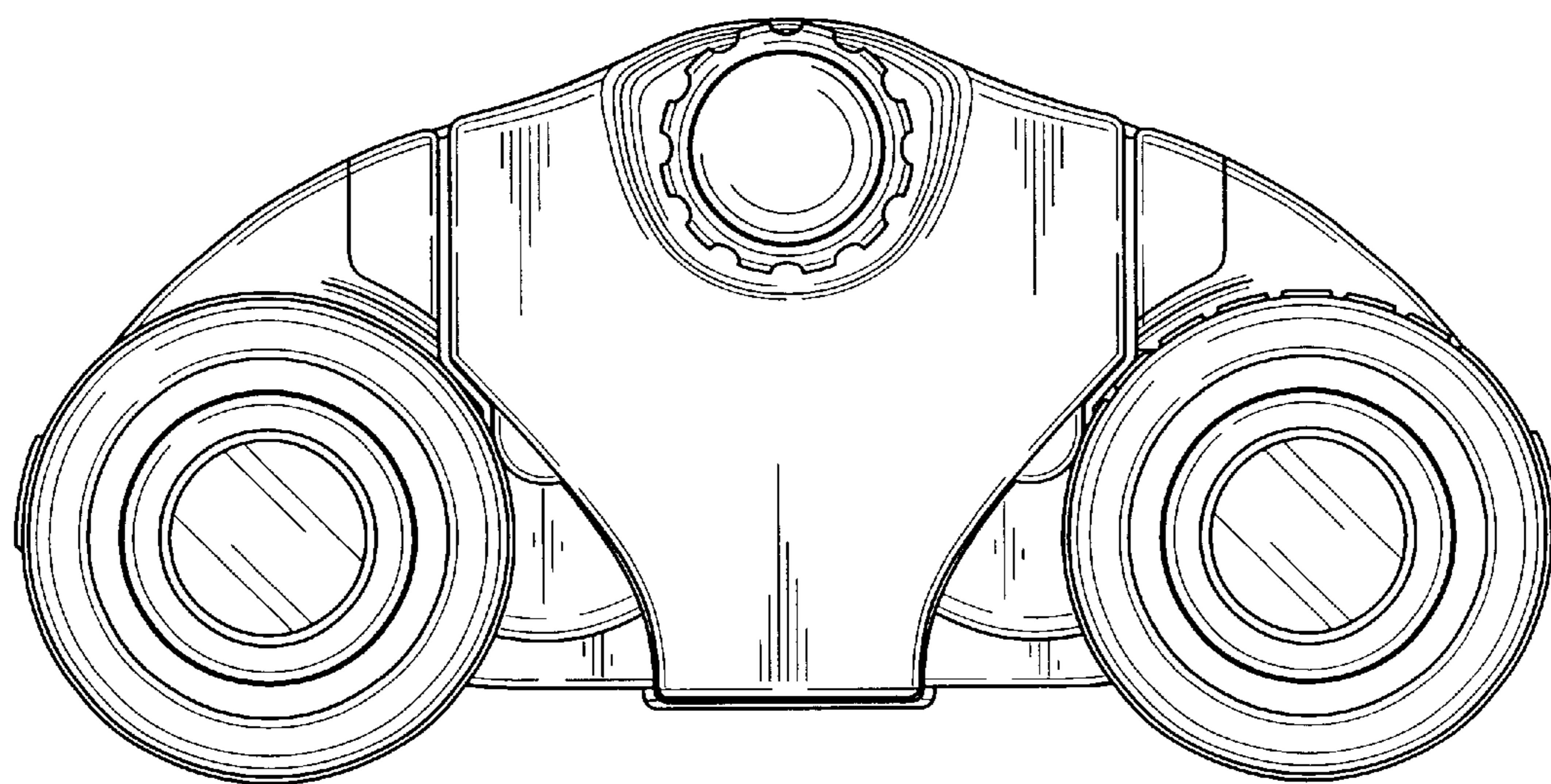
FIG. 2



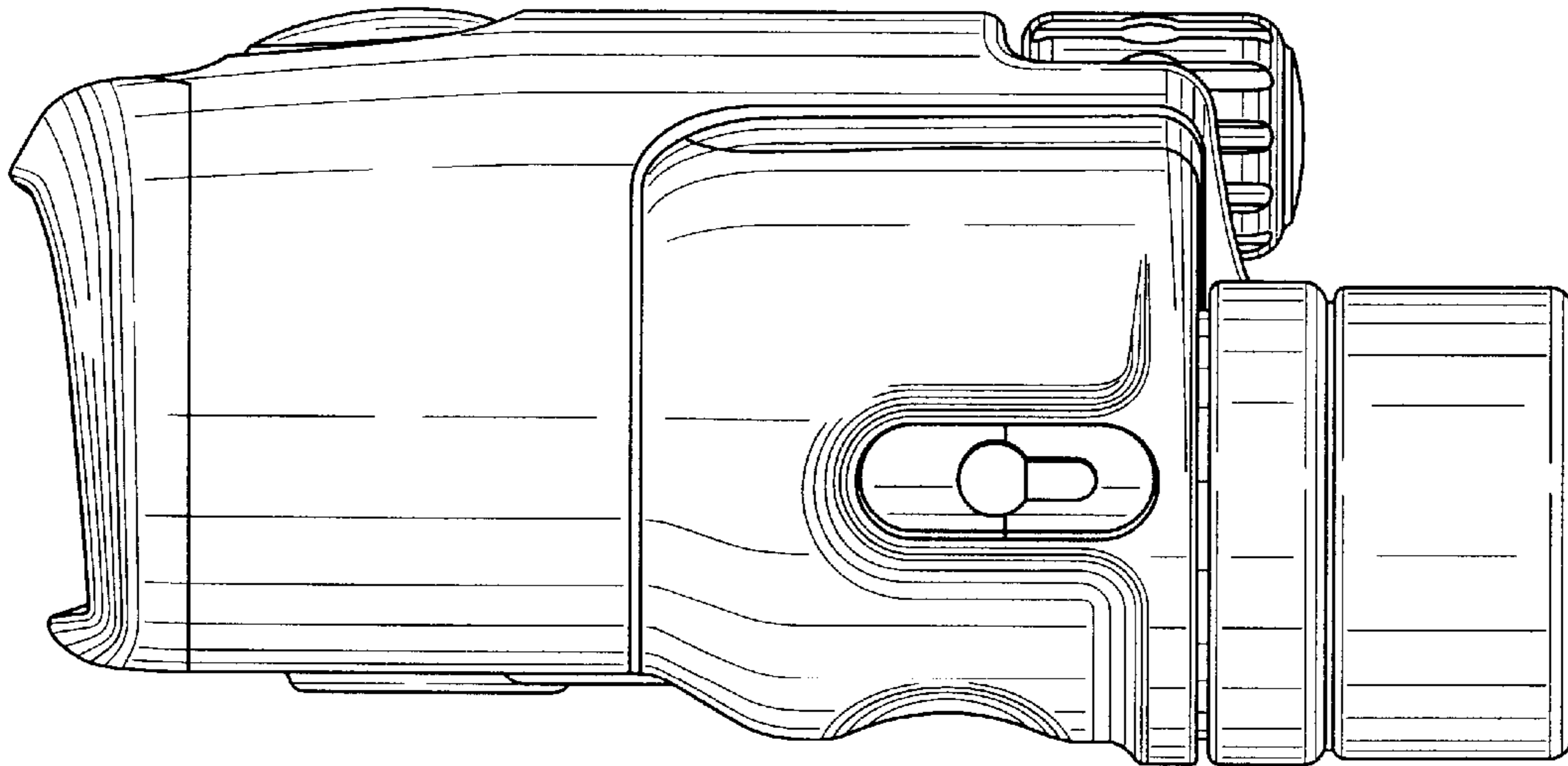
*FIG. 3*



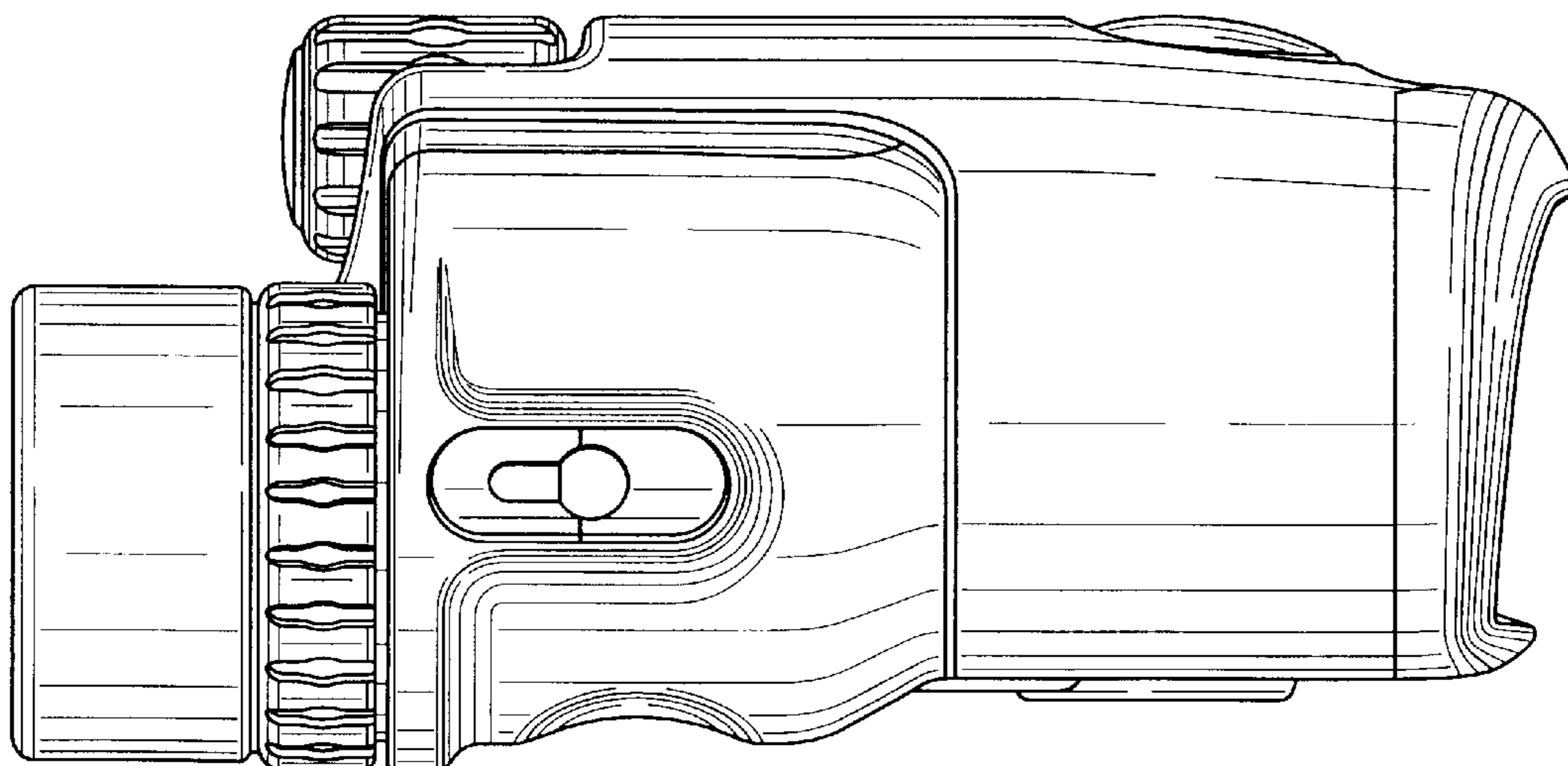
*FIG. 4*



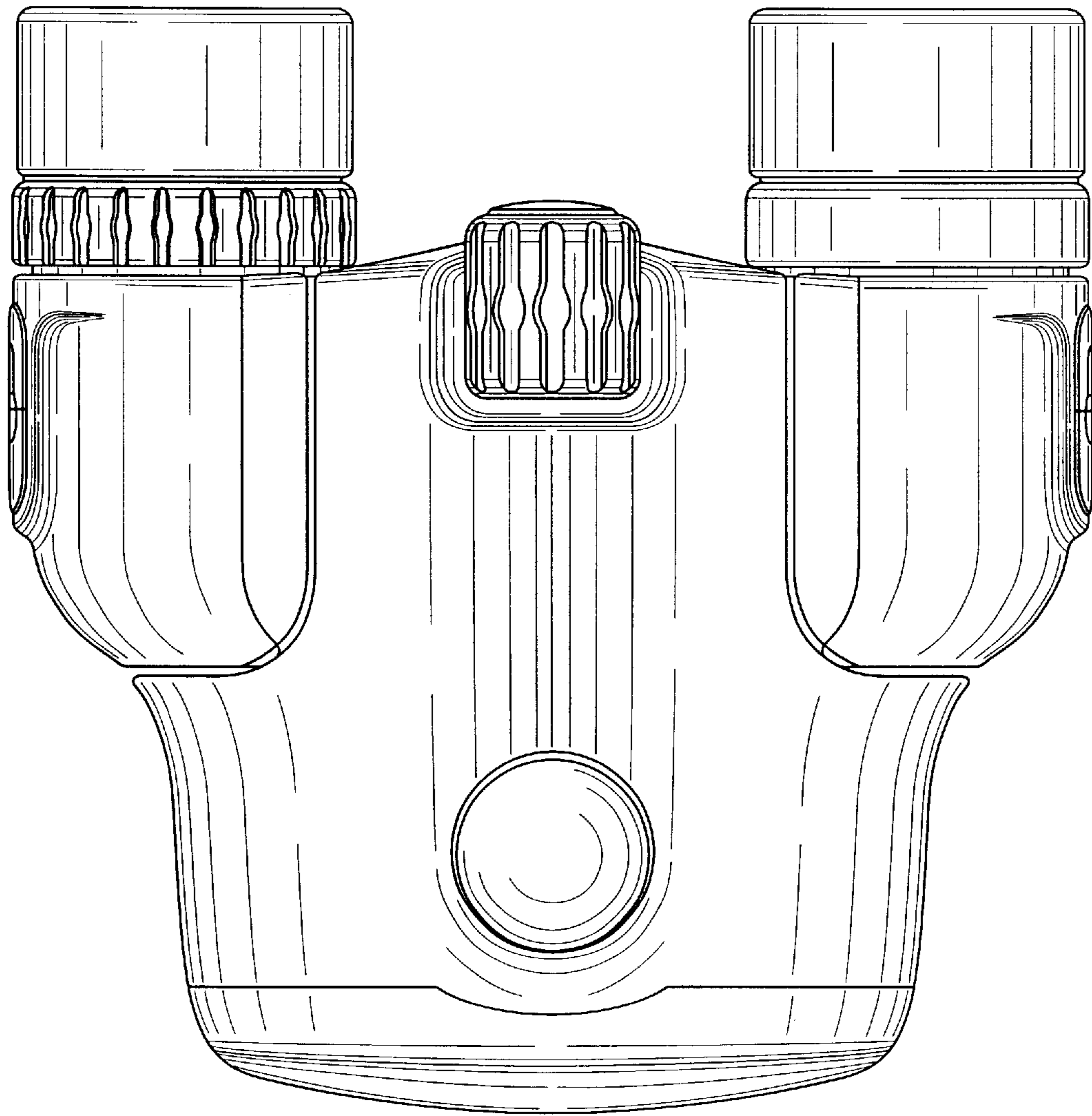
*FIG. 5*



*FIG. 6*



*FIG. 7*



*FIG. 8*

