

US00D508706S

(12) **United States Design Patent**
Hayamizu

(10) **Patent No.: US D508,706 S**

(45) **Date of Patent: ** Aug. 23, 2005**

(54) **BINOCULARS**

(75) **Inventor: Eiji Hayamizu, Tokyo (JP)**

(73) **Assignee: PENTAX Corporation, Tokyo (JP)**

(**) **Term: 14 Years**

(21) **Appl. No.: 29/210,864**

(22) **Filed: Aug. 9, 2004**

(30) **Foreign Application Priority Data**

Feb. 9, 2004 (JP) 2004-003216

(51) **LOC (8) Cl. 16-06**

(52) **U.S. Cl. D16/133**

(58) **Field of Search** D16/130, 132,
D16/133; 359/407, 408, 409, 410, 411,
412, 413, 414, 415, 416, 417, 418, 419,
422

(56) **References Cited**

U.S. PATENT DOCUMENTS

- D306,606 S * 3/1990 Yamanaka et al. D15/133
- D360,215 S * 7/1995 Moro et al. D16/133
- D375,106 S * 10/1996 Matsuda et al. D16/133

- D376,167 S * 12/1996 Hayamizu D16/133
- D395,905 S * 7/1998 Hamamura D16/133
- D418,850 S * 1/2000 Lee D16/133
- D421,997 S * 3/2000 Kawahata D16/133
- D430,586 S * 9/2000 Inaba D16/133
- D457,541 S * 5/2002 Hayashi D16/133
- D473,247 S * 4/2003 Koinuma D16/133
- D502,718 S * 3/2005 Matsushita D16/133

* cited by examiner

Primary Examiner—Pamela A Greene

(74) *Attorney, Agent, or Firm*—Sughrue Mion, PLLC

(57) **CLAIM**

The ornamental design for binoculars, as shown.

DESCRIPTION

FIG. 1 is a perspective view of the top, front and right side of binoculars showing my new design;
 FIG. 2 is a front elevational view thereof;
 FIG. 3 is a rear elevational view thereof;
 FIG. 4 is a right side elevational view thereof;
 FIG. 5 is a left side elevational view thereof;
 FIG. 6 is a top plan view thereof; and,
 FIG. 7 is a bottom plan view thereof.

1 Claim, 5 Drawing Sheets

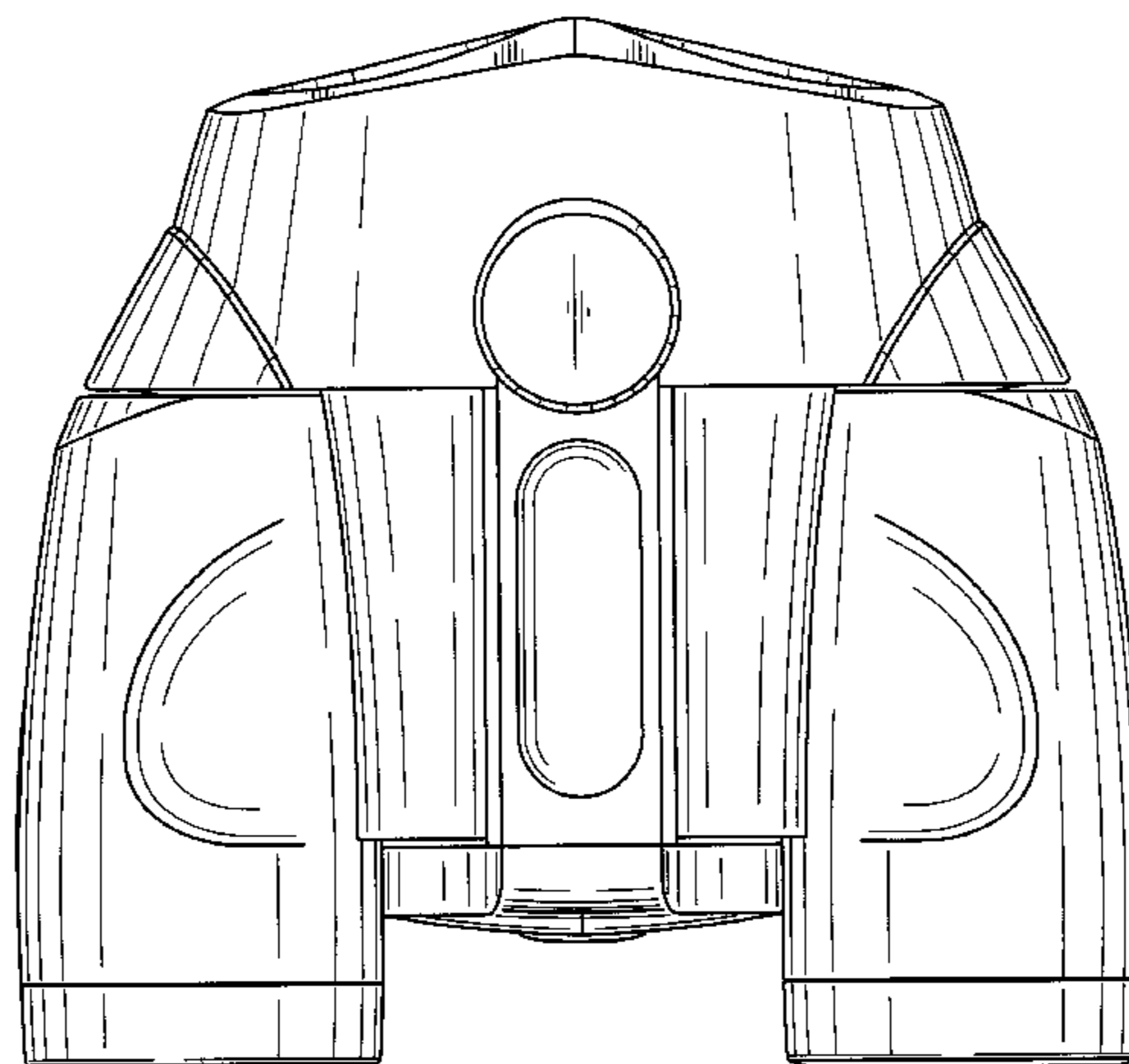
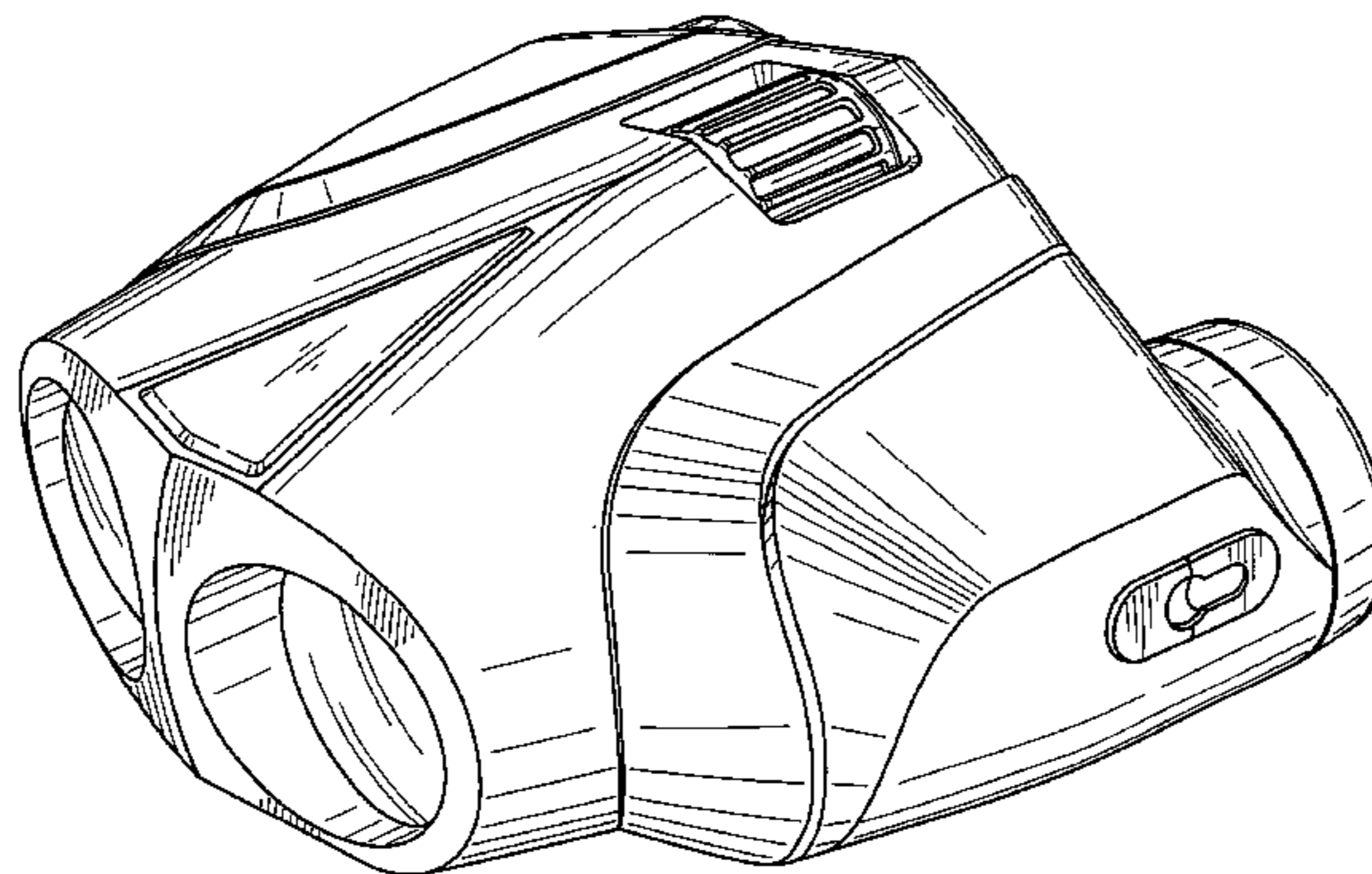


FIG. 1

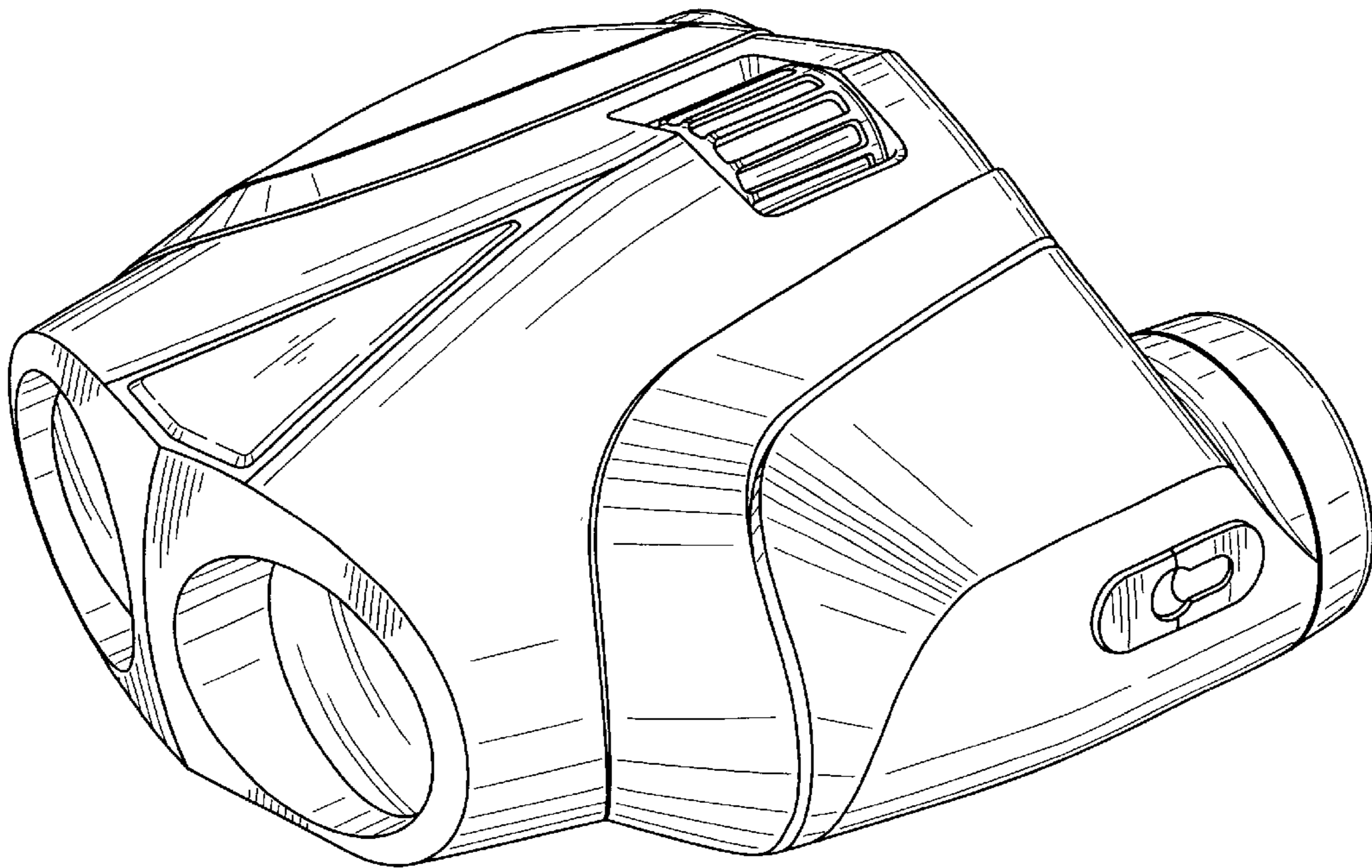


FIG. 2

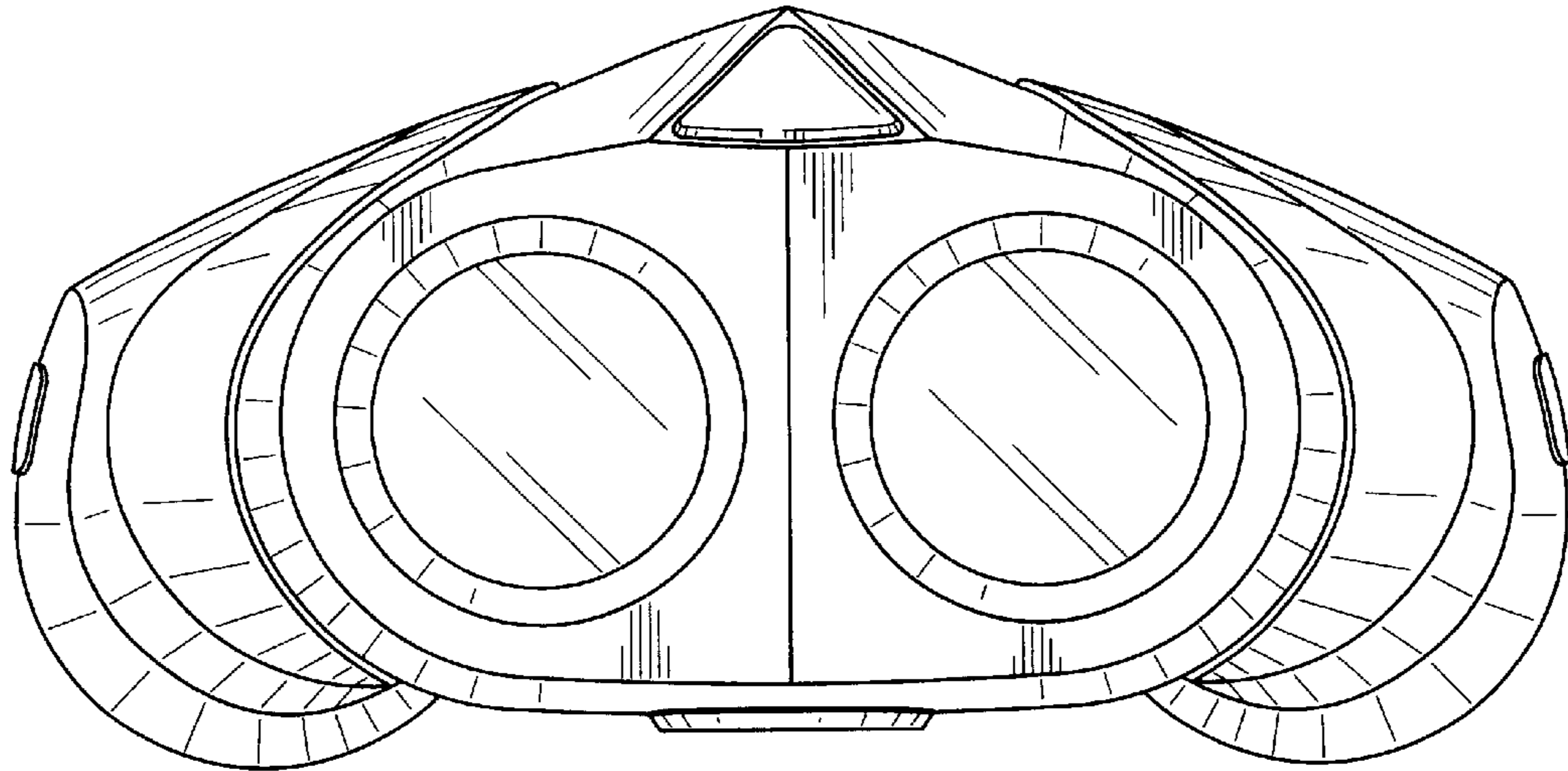


FIG. 3

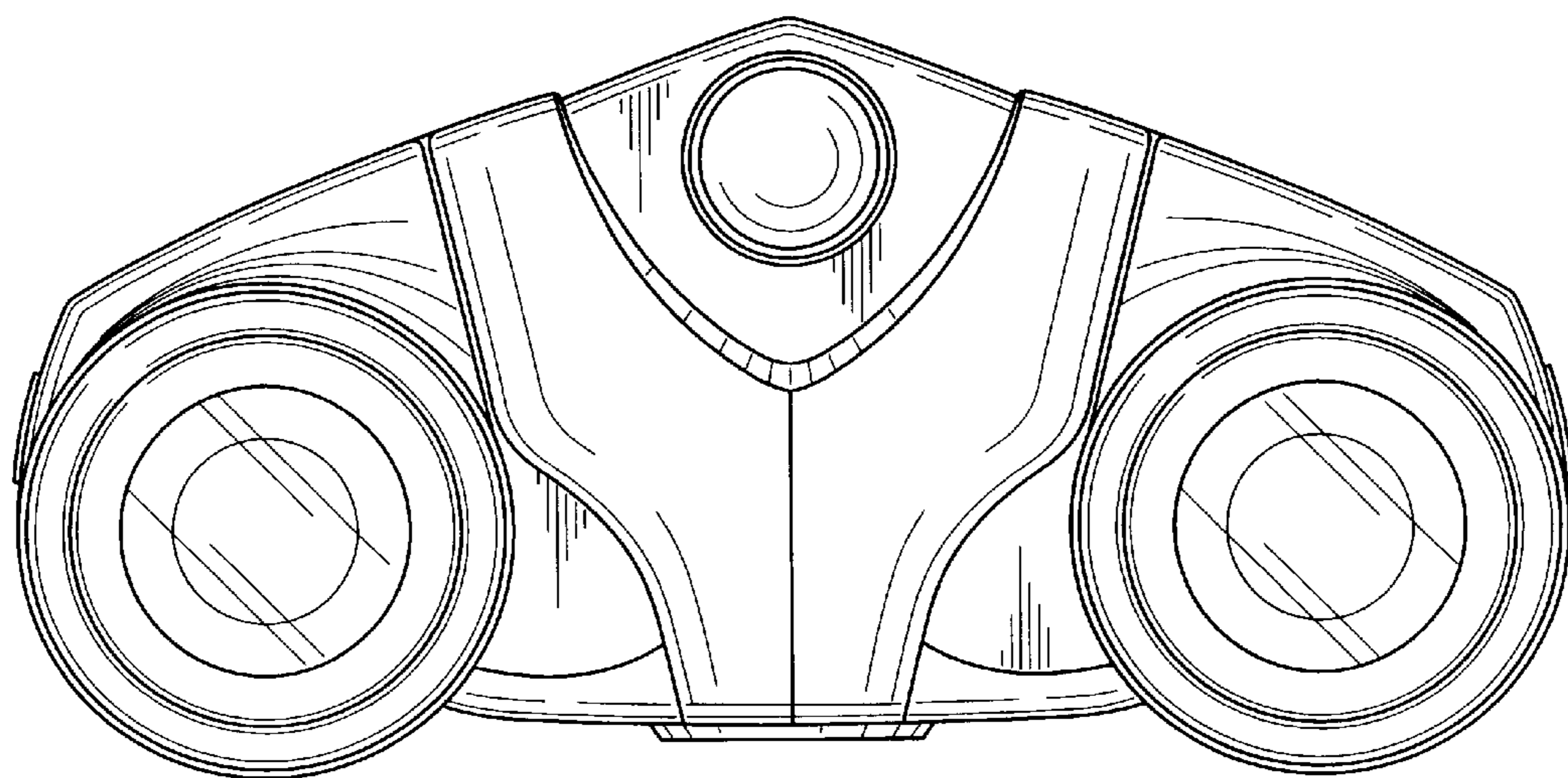


FIG. 4

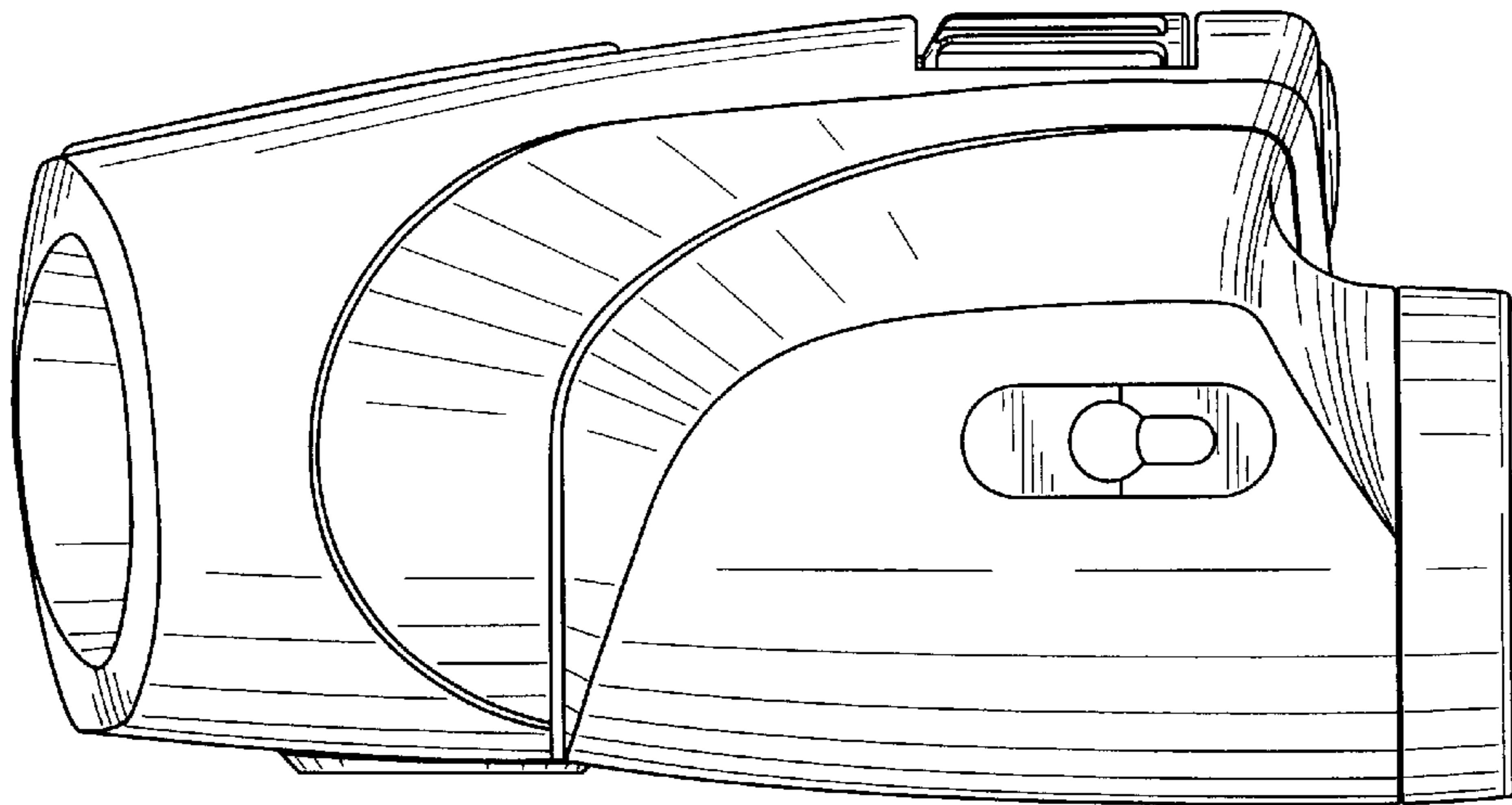


FIG. 5

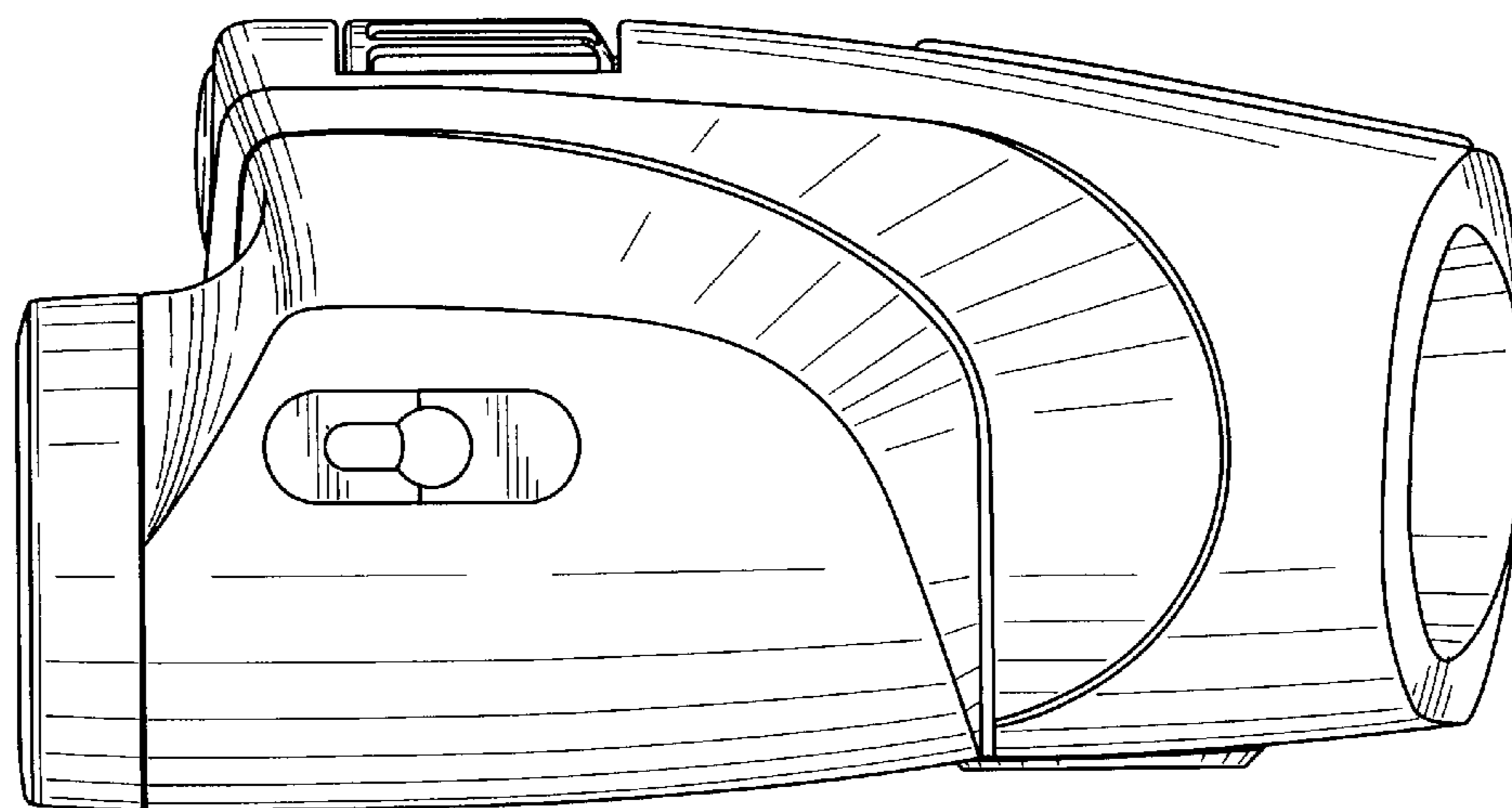


FIG. 6

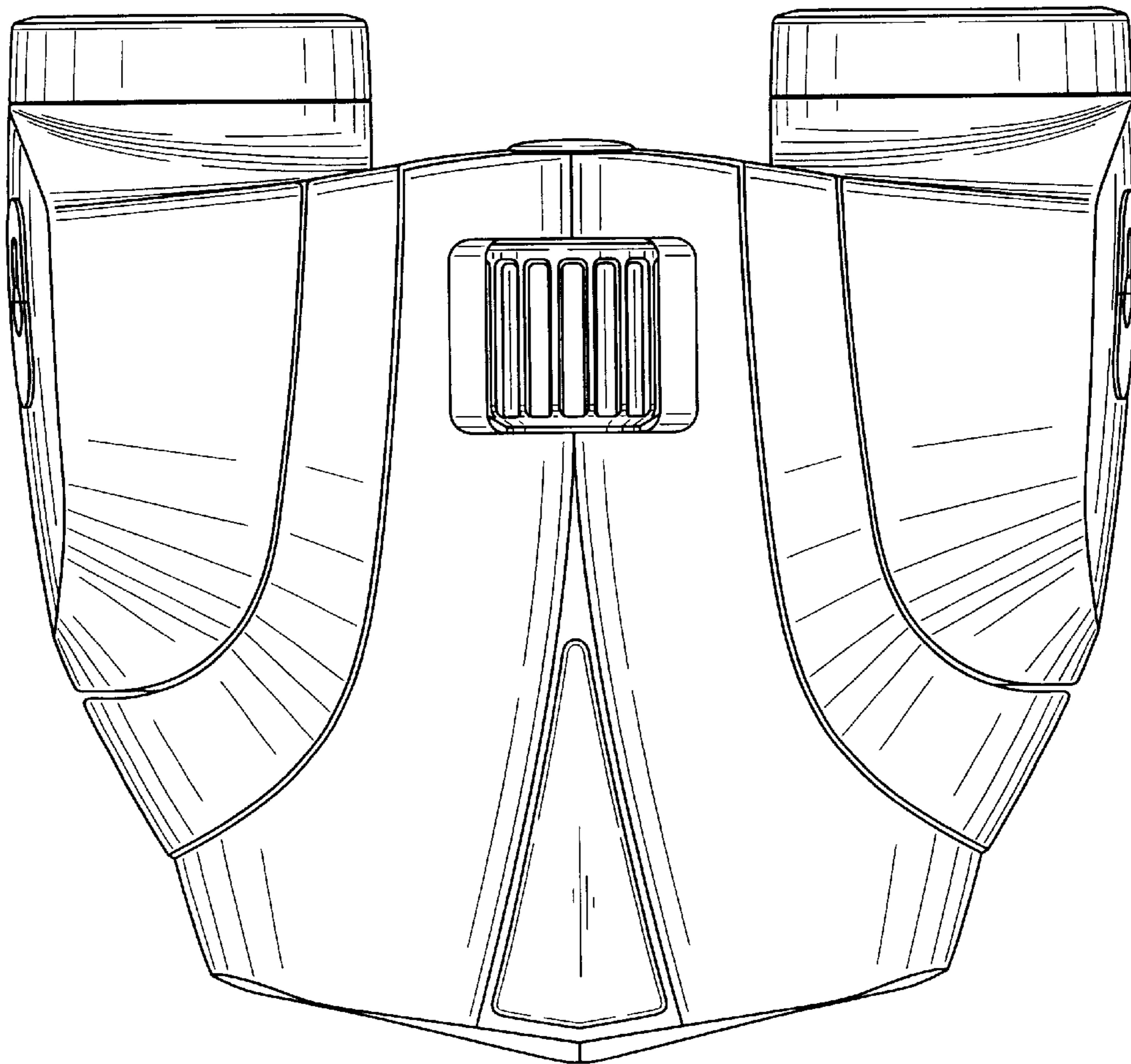


FIG. 7

