



US00D508703S

(12) **United States Design Patent**
Hayashi

(10) **Patent No.:** **US D508,703 S**

(45) **Date of Patent:** **** Aug. 23, 2005**

(54) **BINOCULARS**

(75) **Inventor:** **Tatsuyuki Hayashi, Tokyo (JP)**

(73) **Assignee:** **PENTAX Corporation, Tokyo (JP)**

(**) **Term:** **14 Years**

(21) **Appl. No.:** **29/210,715**

(22) **Filed:** **Aug. 5, 2004**

(30) **Foreign Application Priority Data**

Feb. 6, 2004 (JP) 2004-002974

(51) **LOC (8) Cl.** **16-06**

(52) **U.S. Cl.** **D16/133**

(58) **Field of Search** D16/130, 132,
D16/133; 359/407, 408, 409, 410, 411,
412, 413, 414, 415, 416, 417, 418, 419

(56) **References Cited**

U.S. PATENT DOCUMENTS

D246,653 S	*	12/1977	Tomatsuri	D16/133
D306,606 S	*	3/1990	Yamanaka et al.	D16/133
D359,973 S	*	7/1995	Hayamizu	D16/133
D362,257 S	*	9/1995	Palmer	D16/133
D364,631 S	*	11/1995	Hamamura	D16/133
D380,223 S	*	6/1997	Palmer	D16/133
D395,055 S	*	6/1998	Lee	D16/133

D396,480 S	*	7/1998	Kung	D16/133
D413,131 S	*	8/1999	Koinuma	D16/133
D418,850 S	*	1/2000	Lee	D16/133
D457,541 S	*	5/2002	Hayashi	D16/133
D473,247 S	*	4/2003	Koinuma	D16/133
D474,790 S	*	5/2003	Igarashi	D16/133

* cited by examiner

Primary Examiner—Paula A. Greene

(74) *Attorney, Agent, or Firm*—Sughrue Mion, PLLC

(57) **CLAIM**

The ornamental design for binoculars, as shown and described.

DESCRIPTION

FIG. 1 is a perspective view of the top, front and right side of binoculars showing my new design;

FIG. 2 is a perspective view of the top, rear and left side thereof;

FIG. 3 is a front elevational view thereof;

FIG. 4 is a rear elevational view thereof;

FIG. 5 is a right side elevational view thereof;

FIG. 6 is a left side elevational view thereof;

FIG. 7 is a top plan view thereof; and,

FIG. 8 is a bottom plan view thereof.

The elements shown in broken lines are for illustrative purposes only and form no part of the claimed design.

1 Claim, 6 Drawing Sheets

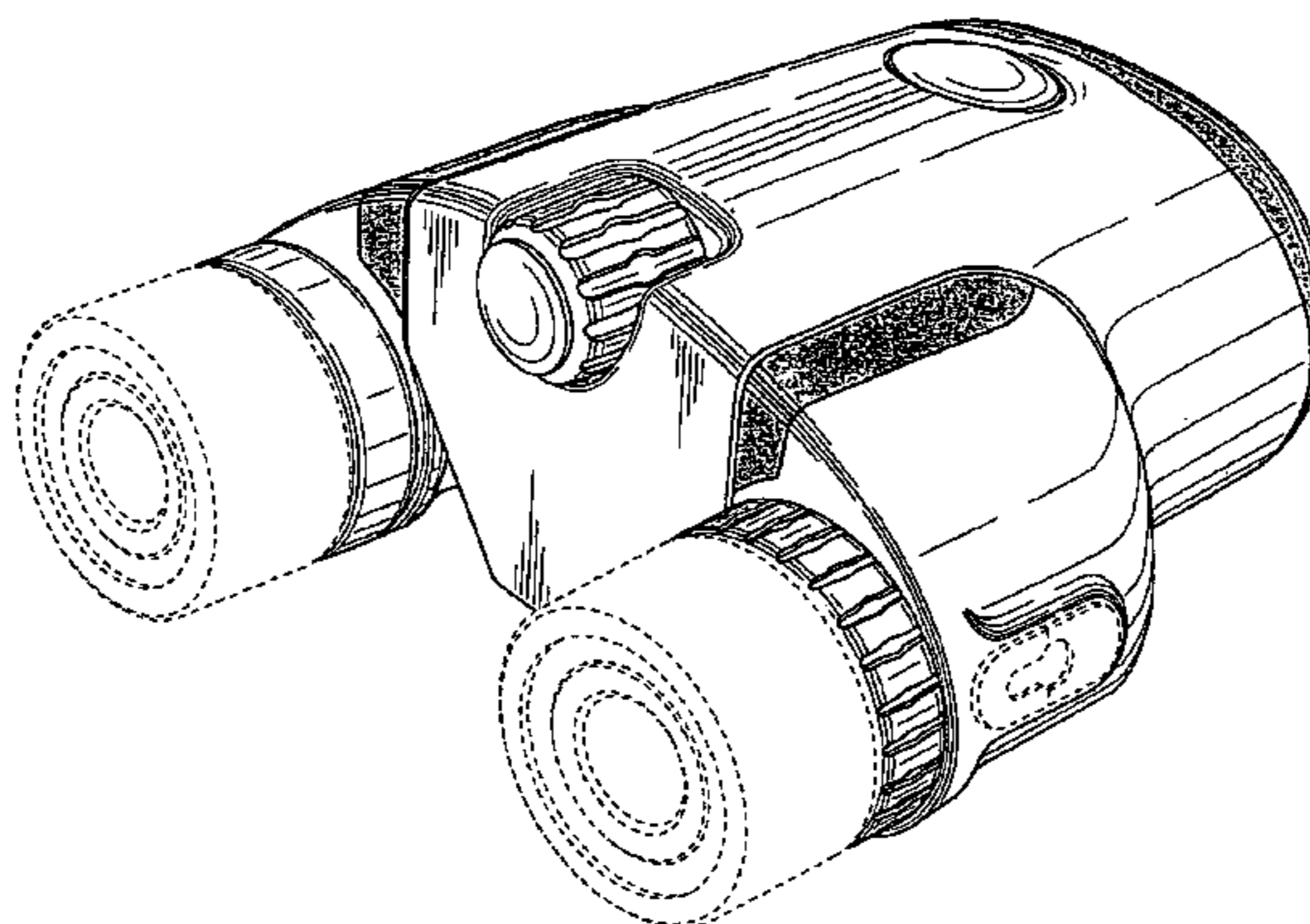
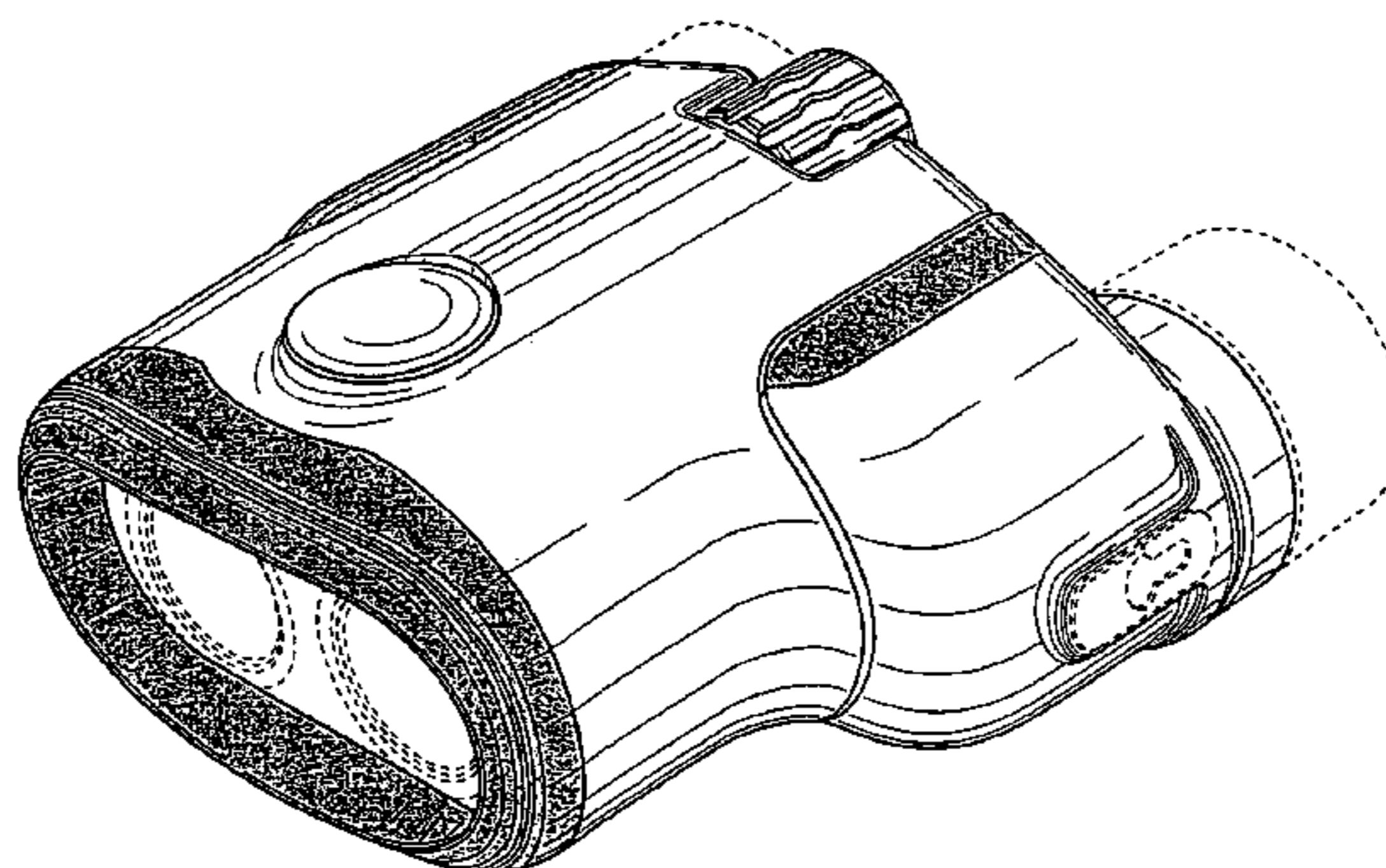


FIG. 1

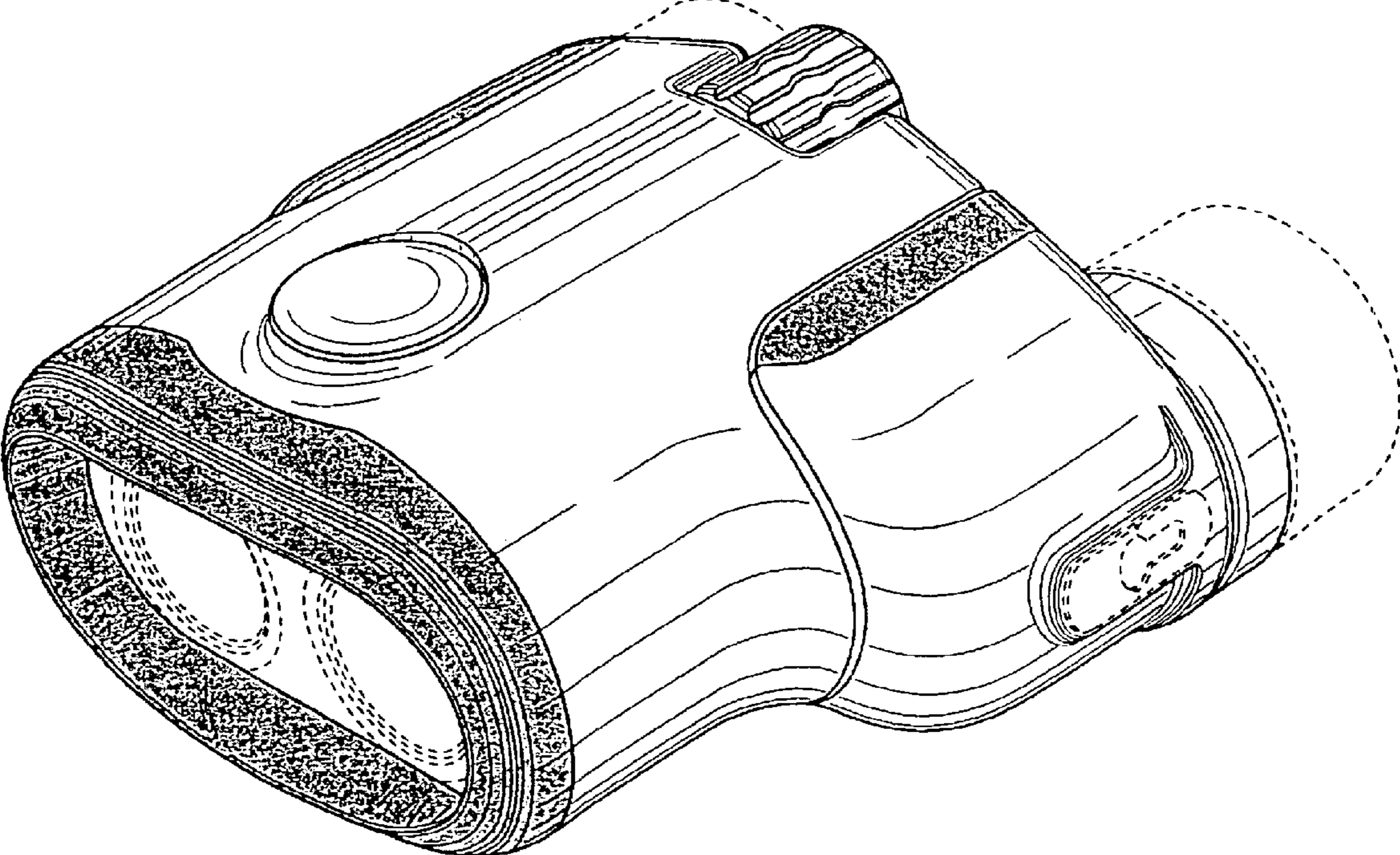


FIG. 2

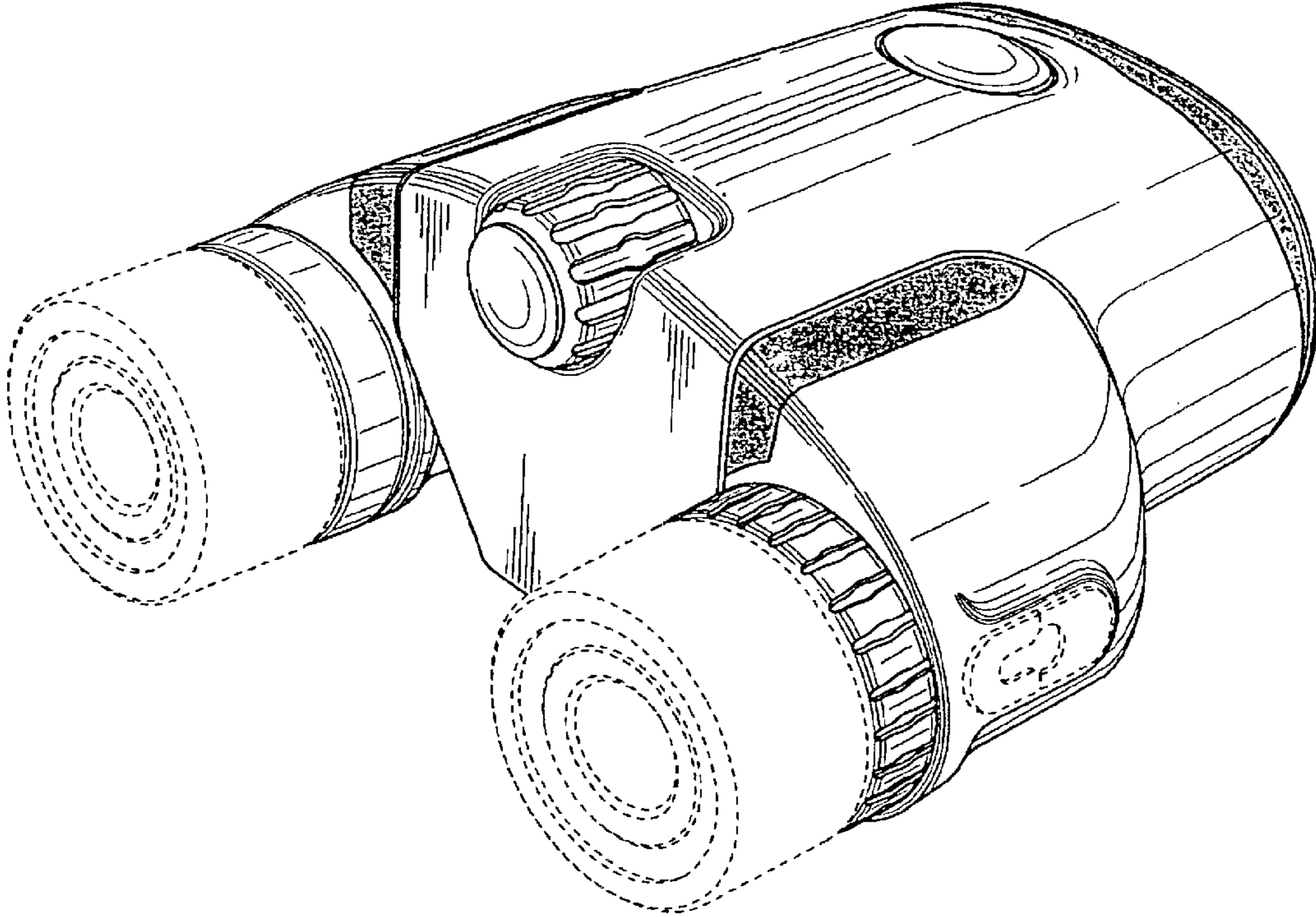


FIG. 3

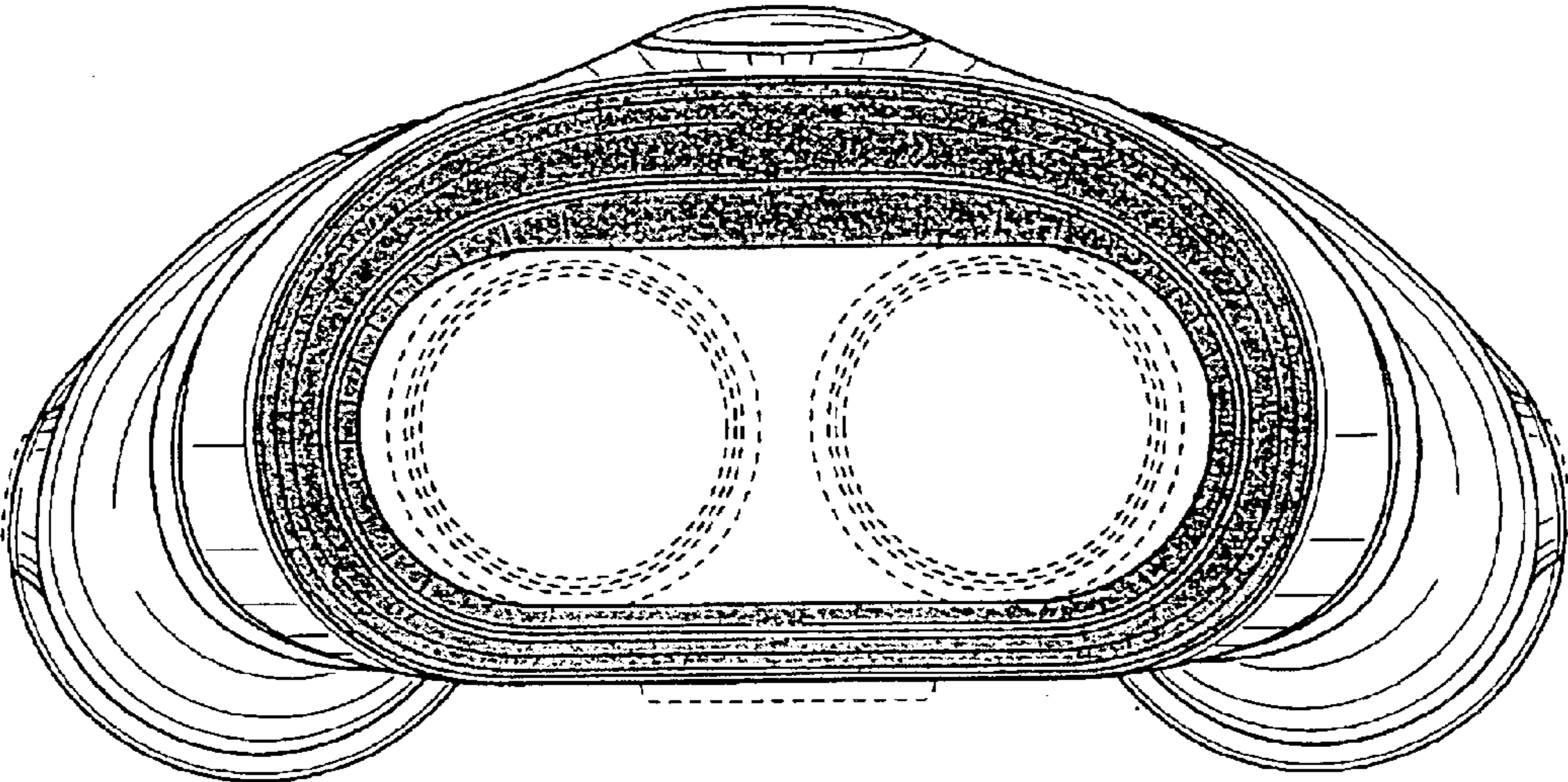


FIG. 4

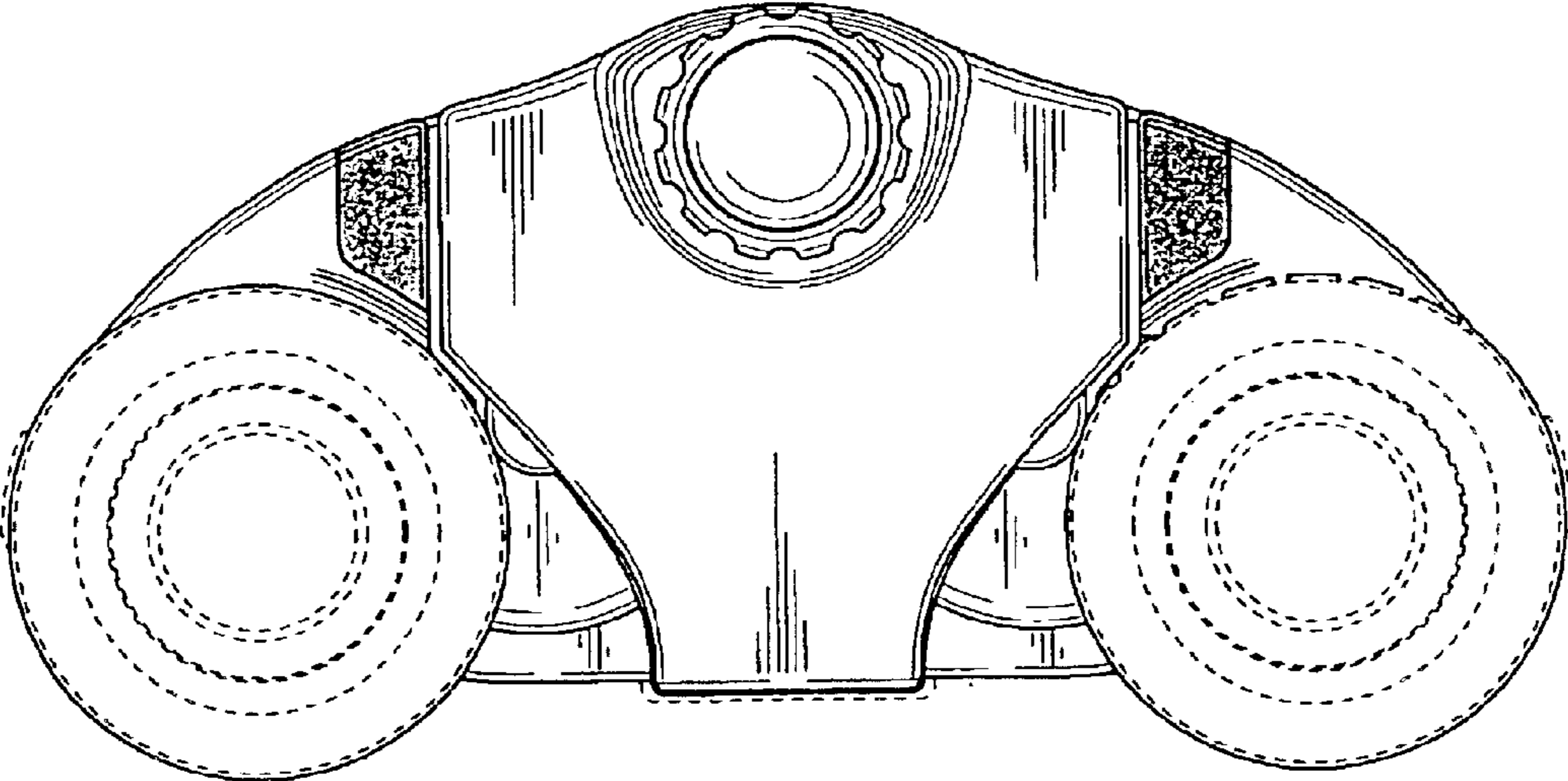


FIG. 5

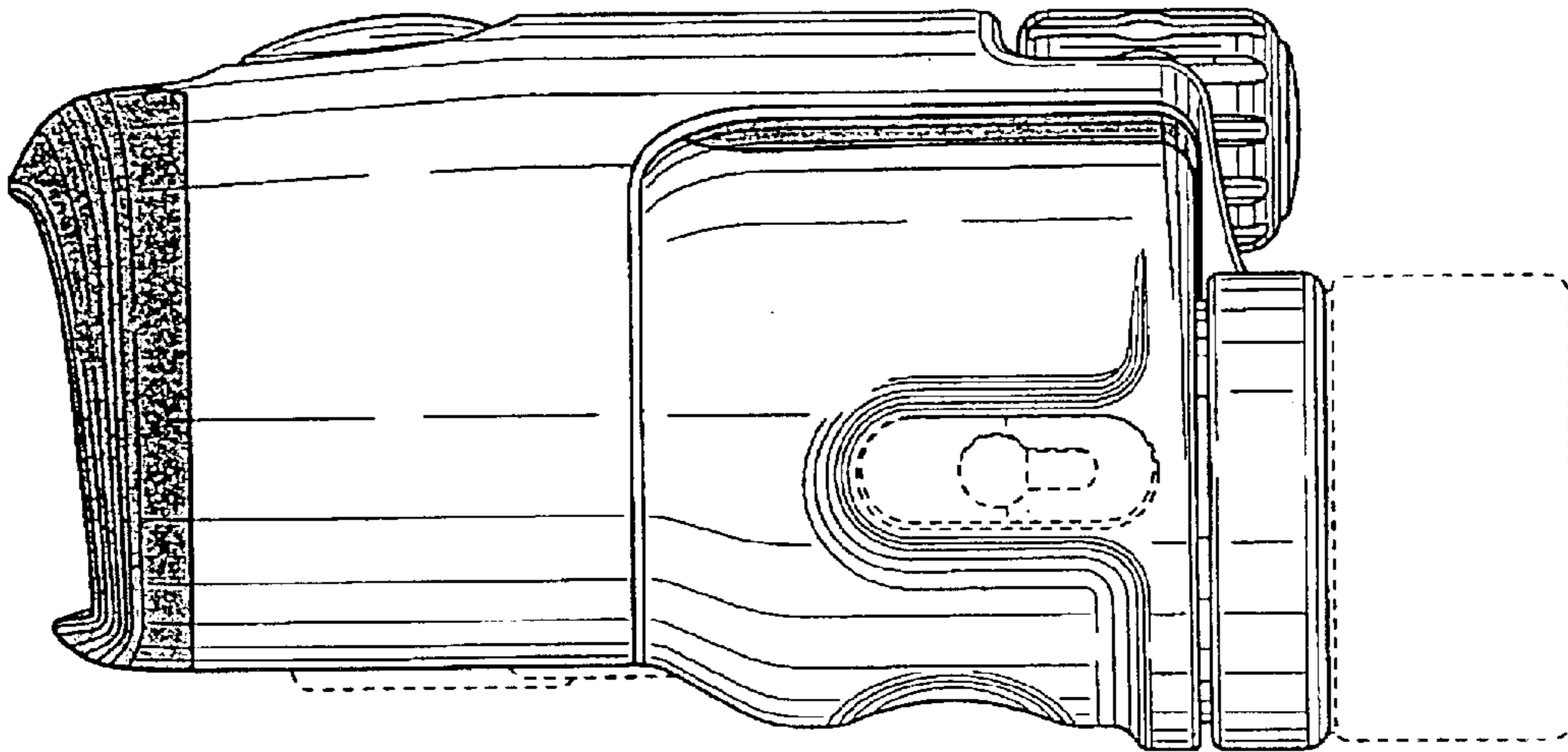


FIG. 6

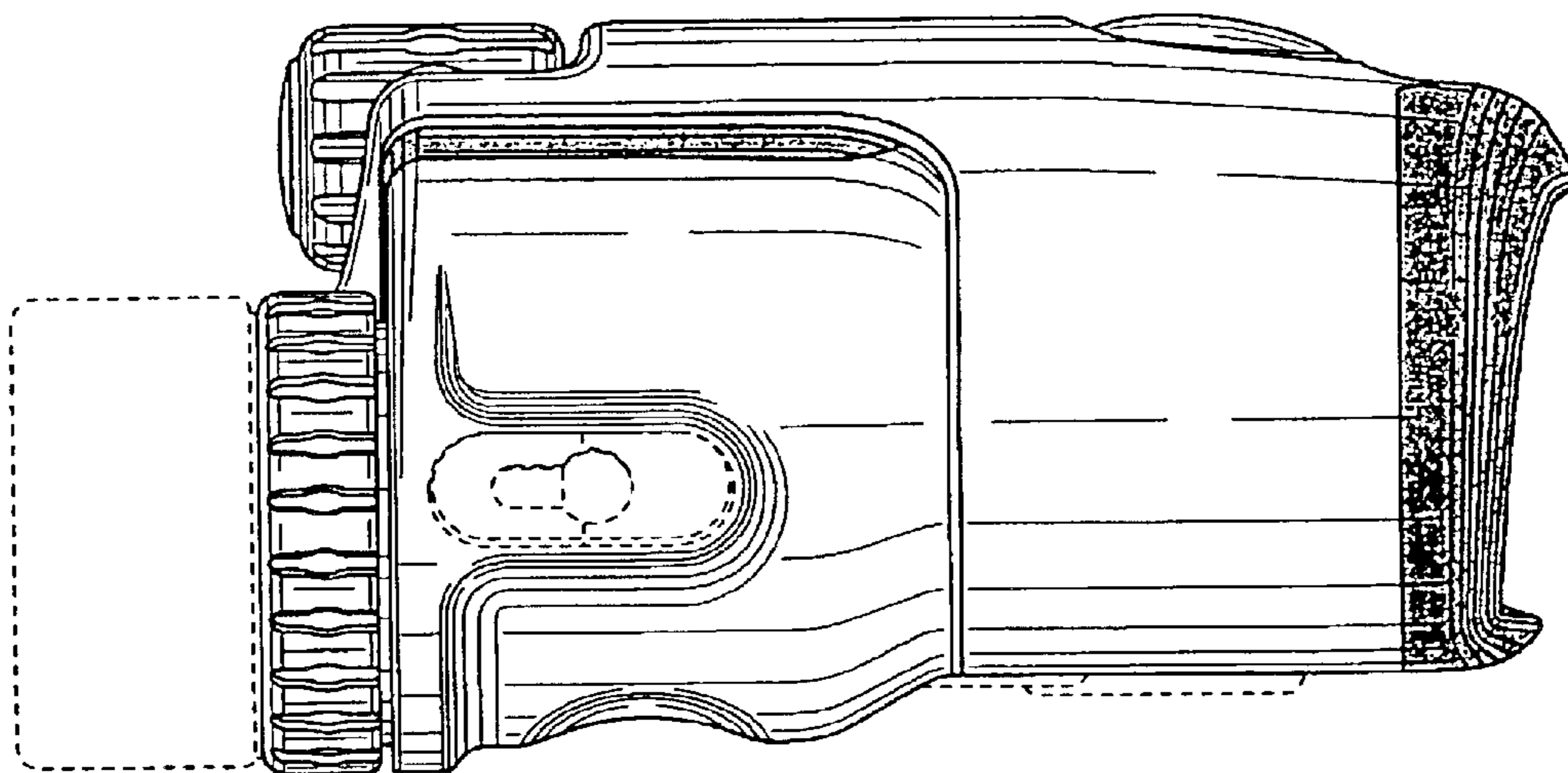


FIG. 7

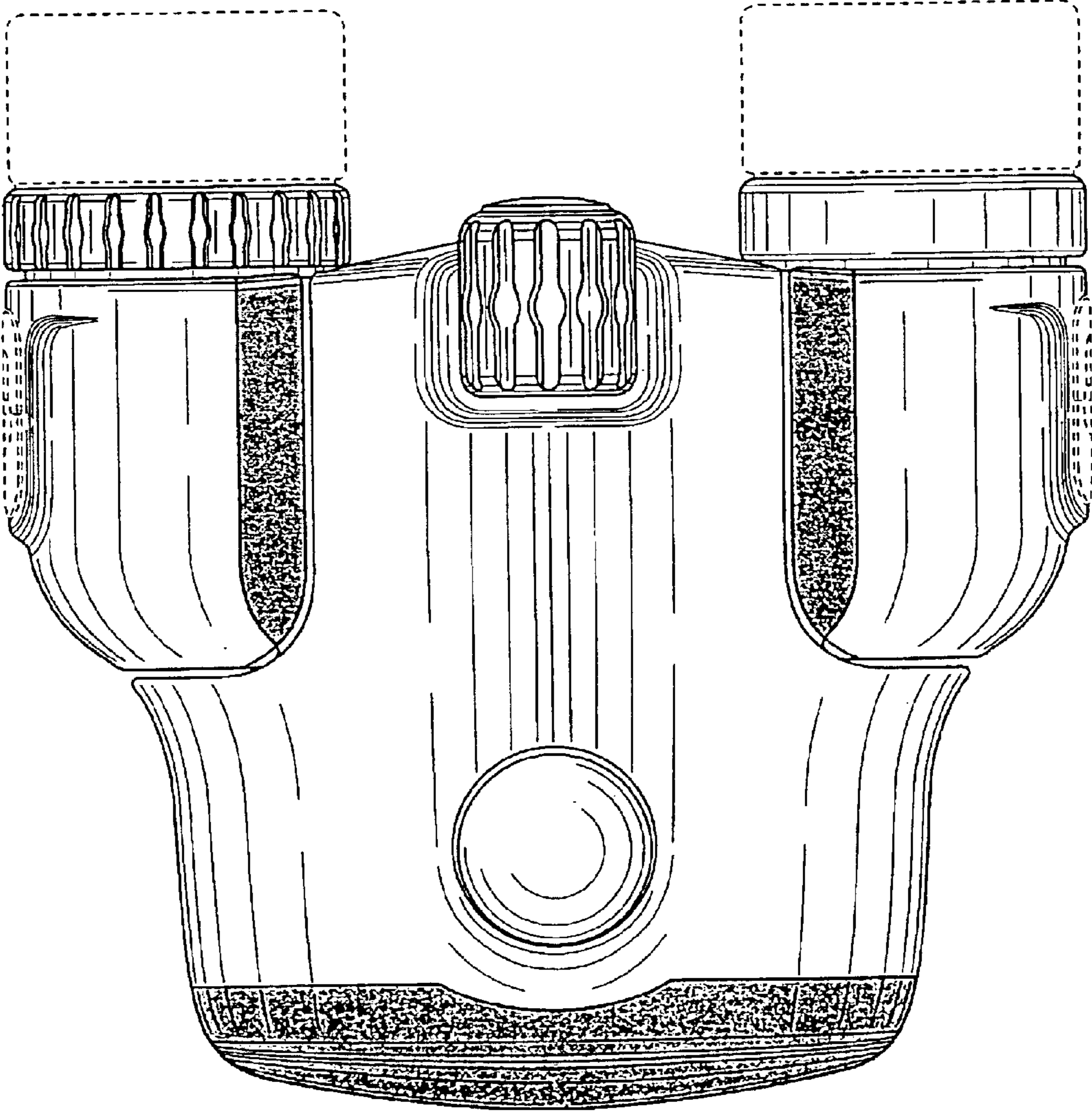


FIG. 8

