



US00D508702S

(12) **United States Design Patent**  
**Hayashi**

(10) **Patent No.:** **US D508,702 S**  
(45) **Date of Patent:** **\*\* Aug. 23, 2005**

(54) **BINOCULARS**

(75) Inventor: **Tatsuyuki Hayashi, Tokyo (JP)**

(73) Assignee: **PENTAX Corporation, Tokyo (JP)**

(\*\*) Term: **14 Years**

(21) Appl. No.: **29/210,704**

(22) Filed: **Aug. 5, 2004**

(30) **Foreign Application Priority Data**

Feb. 6, 2004 (JP) ..... 2004-002971

(51) **LOC (8) Cl.** ..... **16-06**

(52) **U.S. Cl.** ..... **D16/133; D16/136**

(58) **Field of Search** ..... D16/130, 132,  
D16/133, 136; 359/408, 409, 410, 411,  
412, 413, 414, 415, 416, 417, 418, 419,  
420

(56) **References Cited**

**U.S. PATENT DOCUMENTS**

5,071,242 A	*	12/1991	Yanagisawa	.....	359/416
5,196,959 A	*	3/1993	Yanagisawa et al.	.....	359/415
D353,388 S	*	12/1994	Matsushita	.....	D16/133
D376,164 S	*	12/1996	Hasegawa et al.	.....	D16/133
D406,597 S	*	3/1999	Kimura et al.	.....	D16/133
5,896,209 A	*	4/1999	Funatsu	.....	359/417
D413,131 S	*	8/1999	Koinuma	.....	D16/133

D418,850 S	*	1/2000	Lee	.....	D16/133
D430,182 S	*	8/2000	Miyahara	.....	D16/133
D457,541 S	*	5/2002	Hayashi	.....	D16/133
D474,790 S	*	5/2003	Igarashi	.....	D16/133

\* cited by examiner

*Primary Examiner*—Paula A. Greene

(74) *Attorney, Agent, or Firm*—Sughrue Mion, PLLC

(57) **CLAIM**

The ornamental design for binoculars, as shown and described.

**DESCRIPTION**

FIG. 1 is a perspective view of the top, front and right side of binoculars showing my new design;

FIG. 2 is a perspective view of the top, rear and left side thereof;

FIG. 3 is a front elevational view thereof;

FIG. 4 is a rear elevational view thereof;

FIG. 5 is a right side elevational view thereof;

FIG. 6 is a left side elevational view thereof;

FIG. 7 is a top plan view thereof; and,

FIG. 8 is a bottom plan view thereof.

The elements shown in broken lines are for illustrative purposes only and form no part of the claimed design, and the chain line shows a boundary of the portion to be claimed and the portion not to be claimed.

**1 Claim, 6 Drawing Sheets**

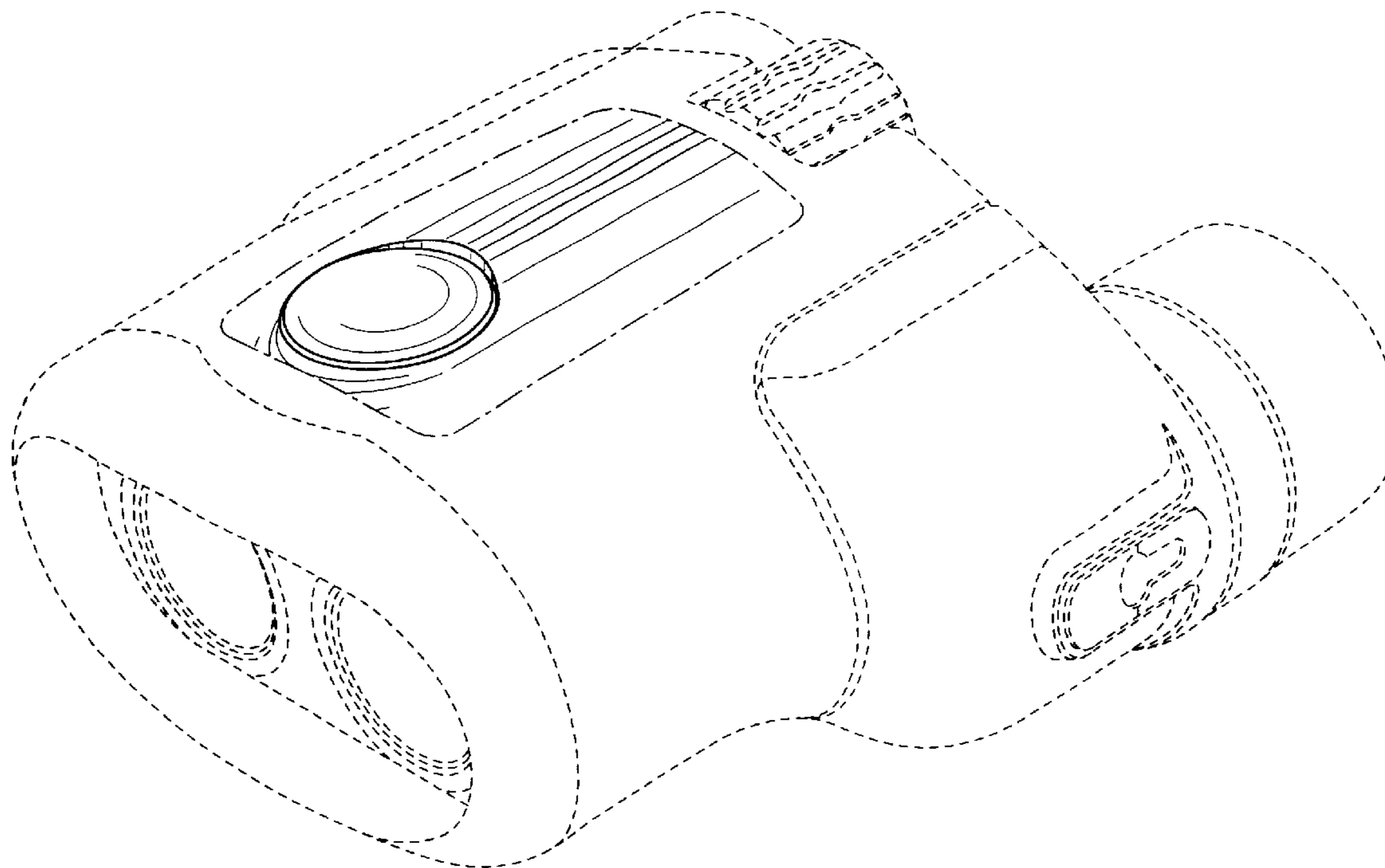


FIG. 1

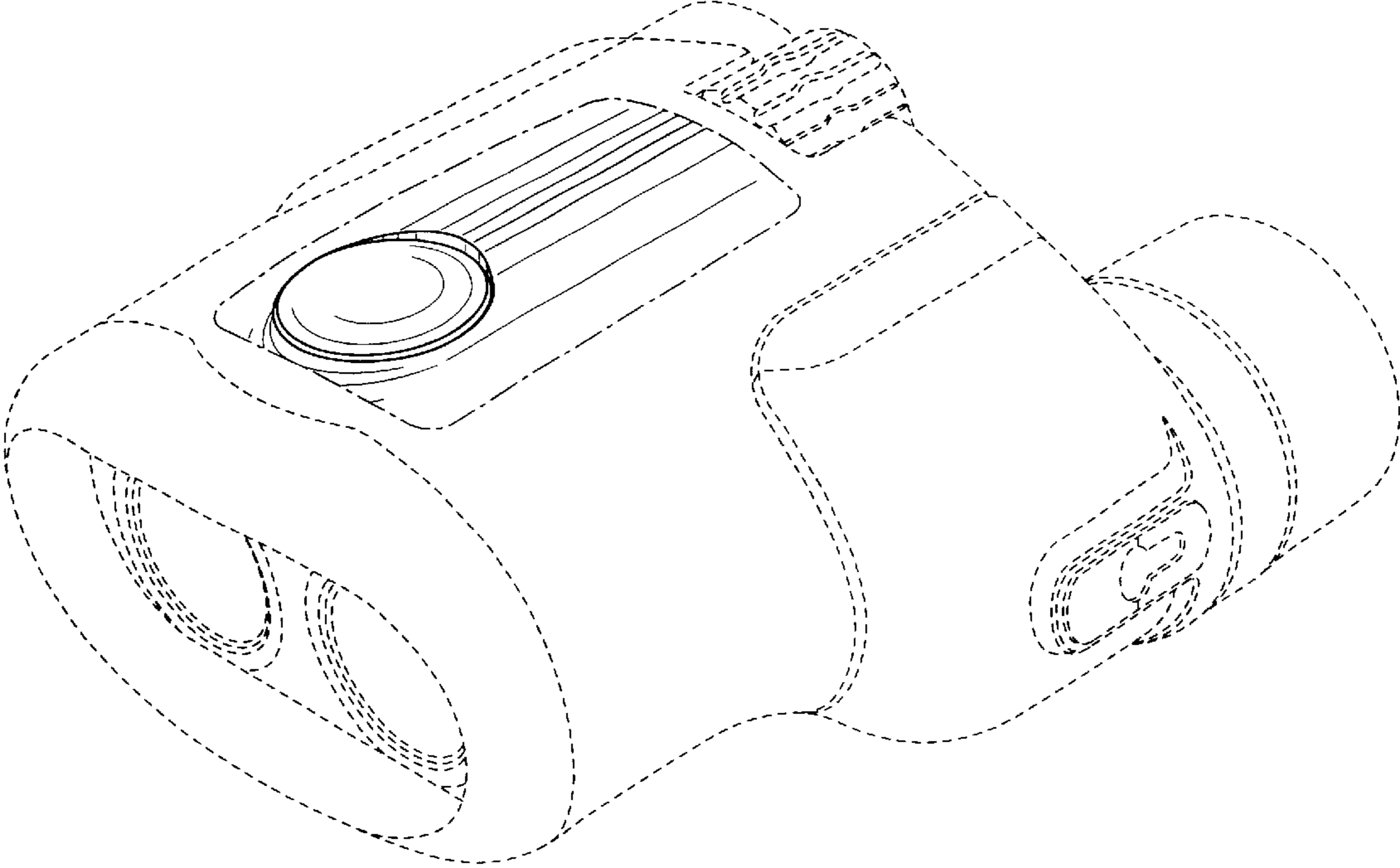
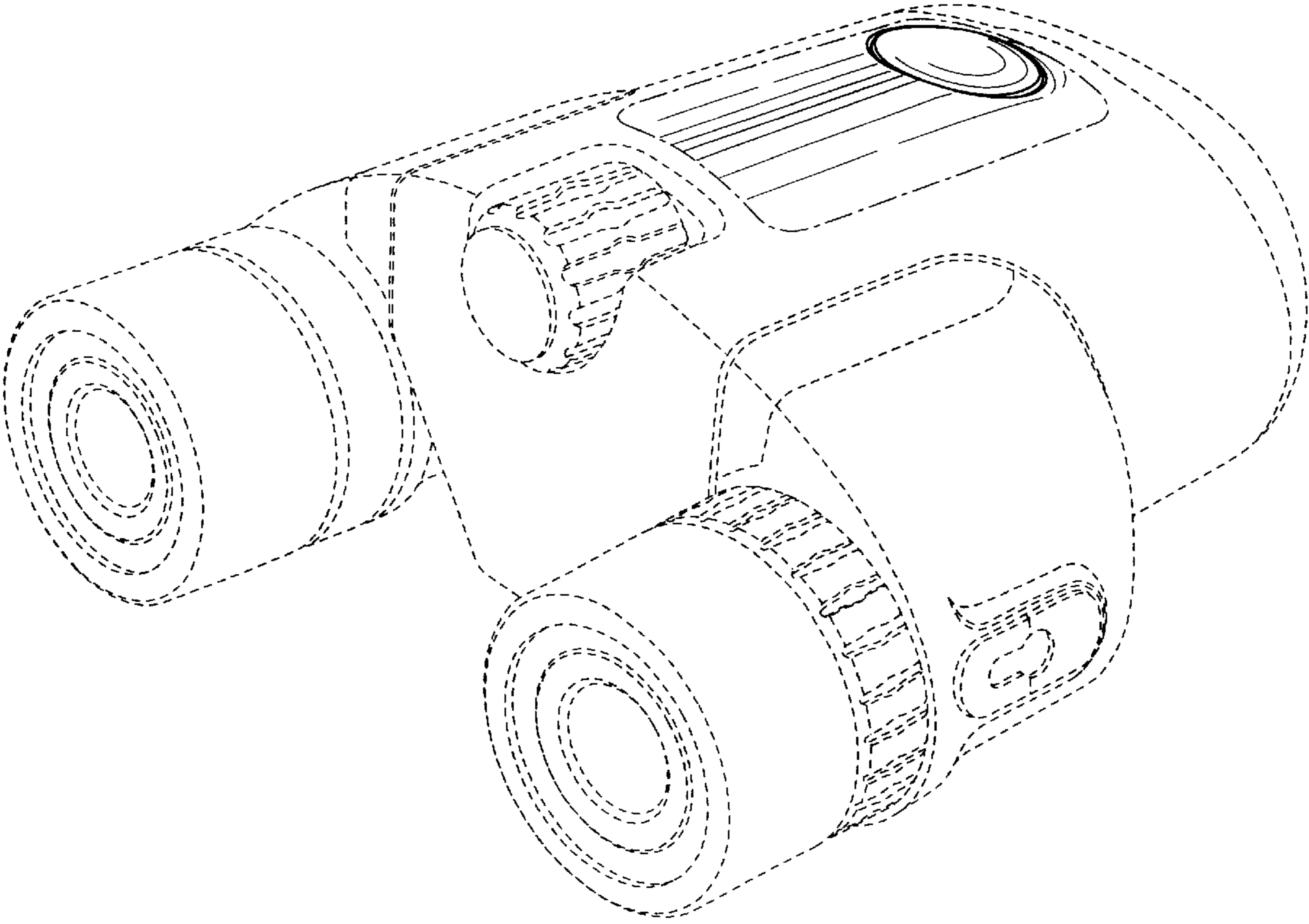
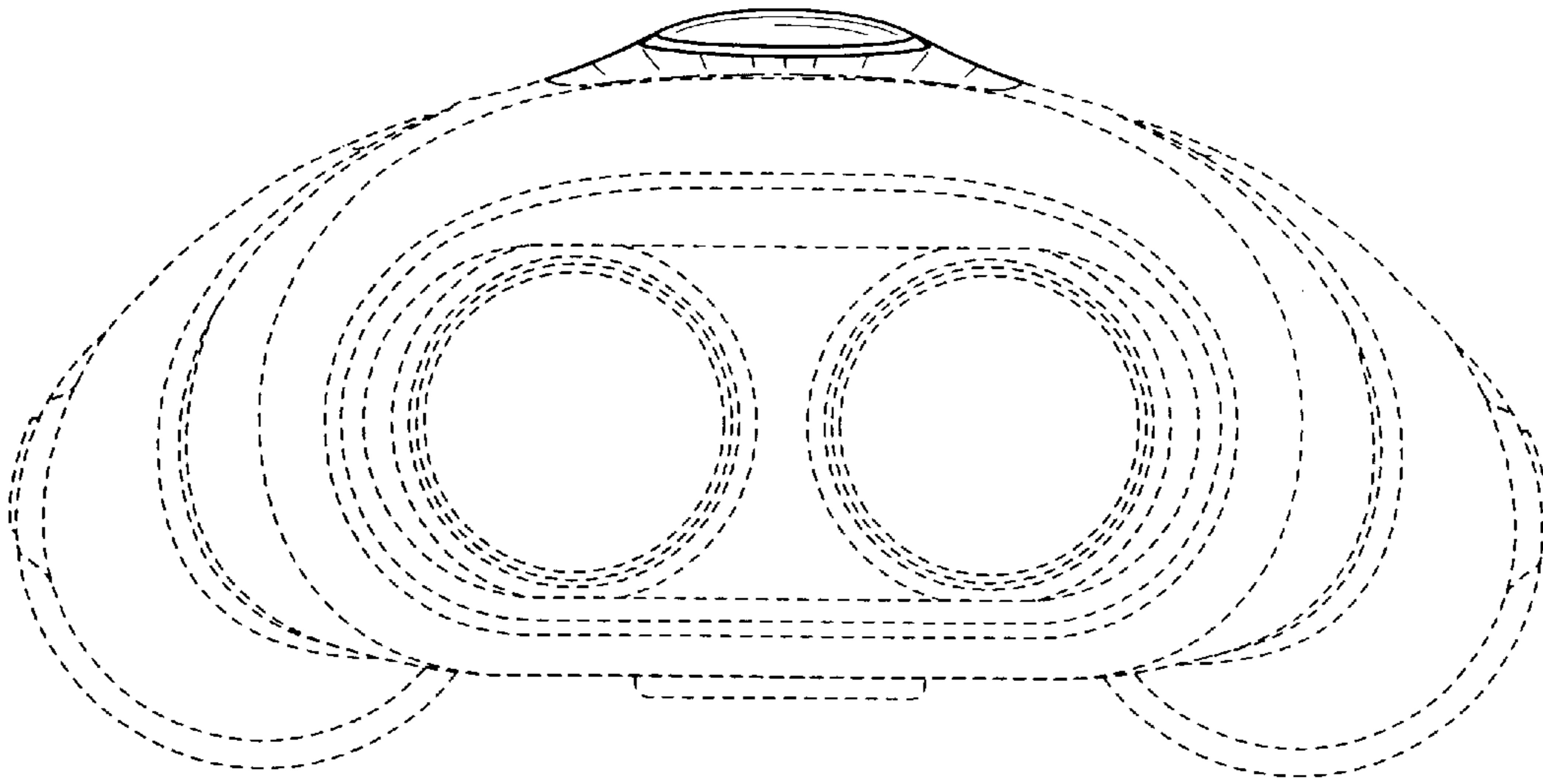


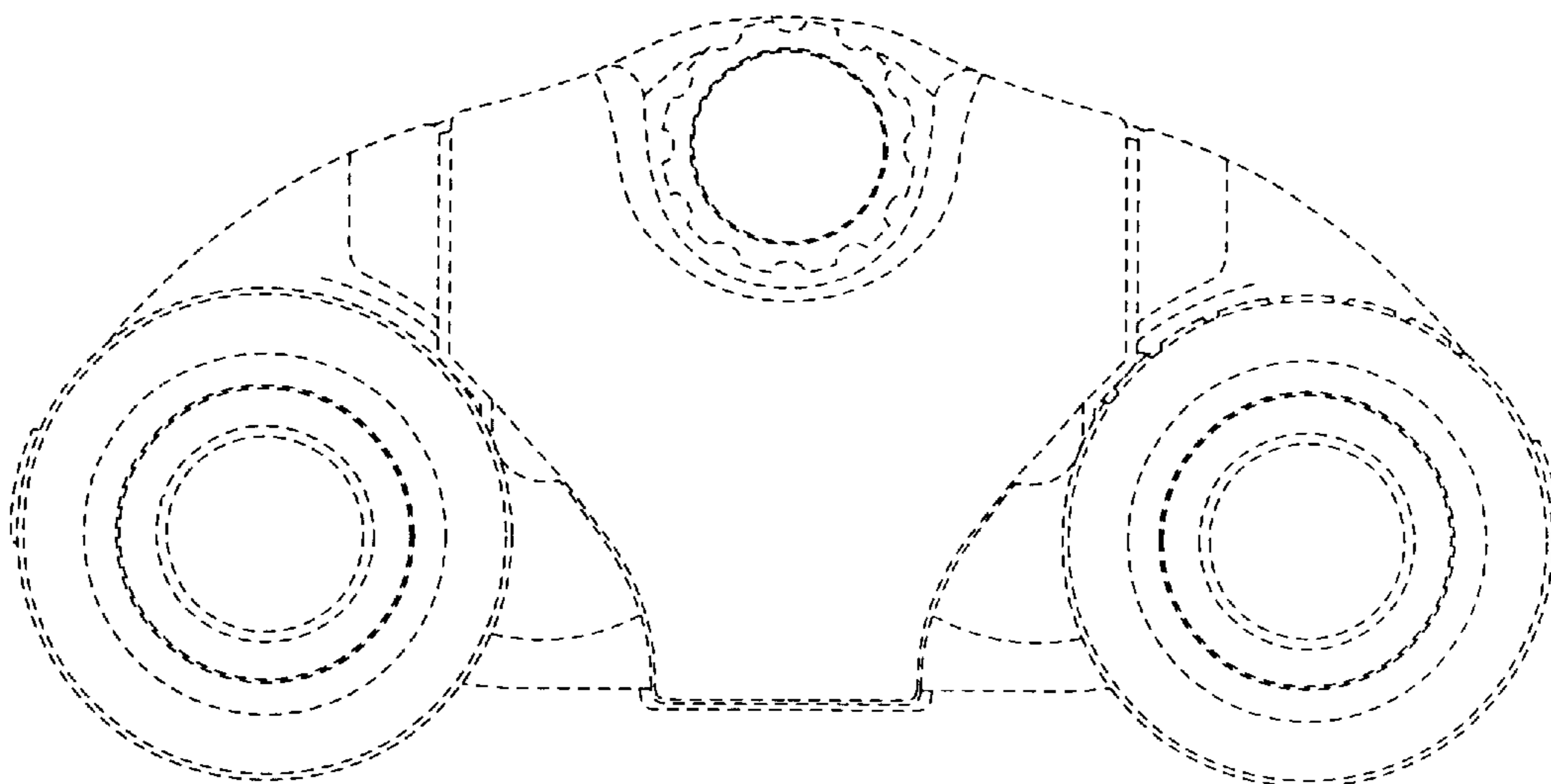
FIG. 2



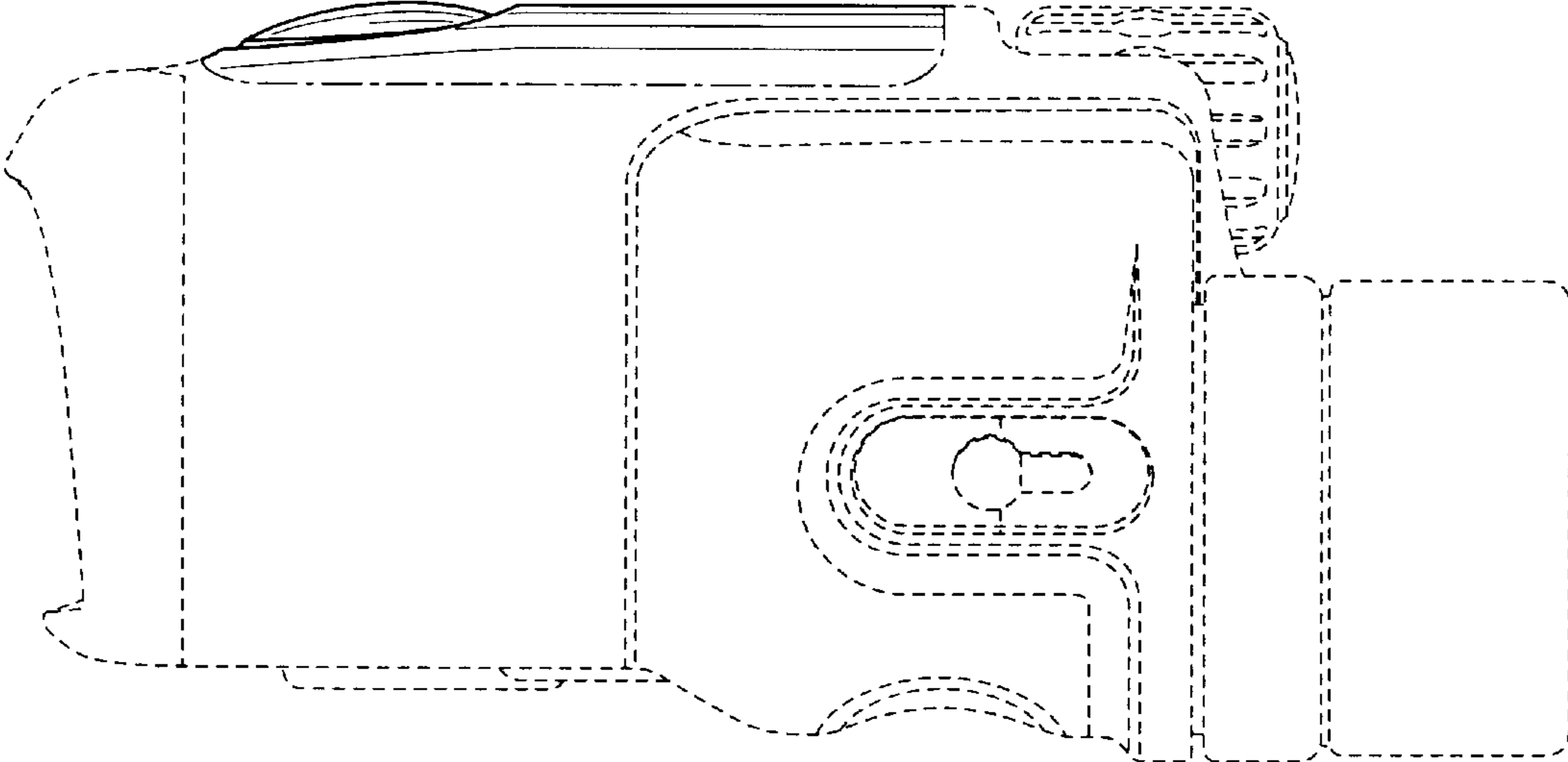
*FIG. 3*



*FIG. 4*



*FIG. 5*



*FIG. 6*

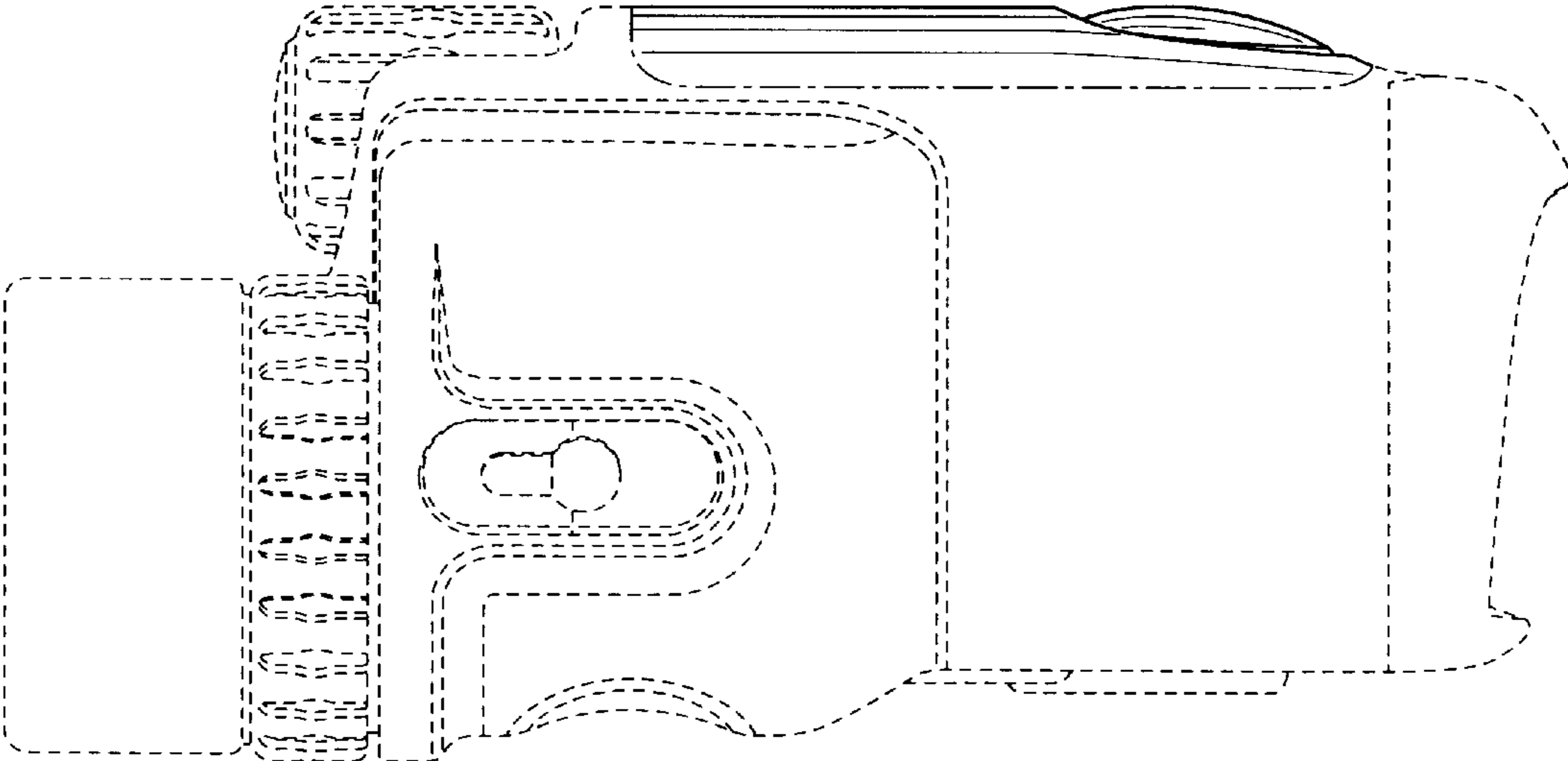


FIG. 7

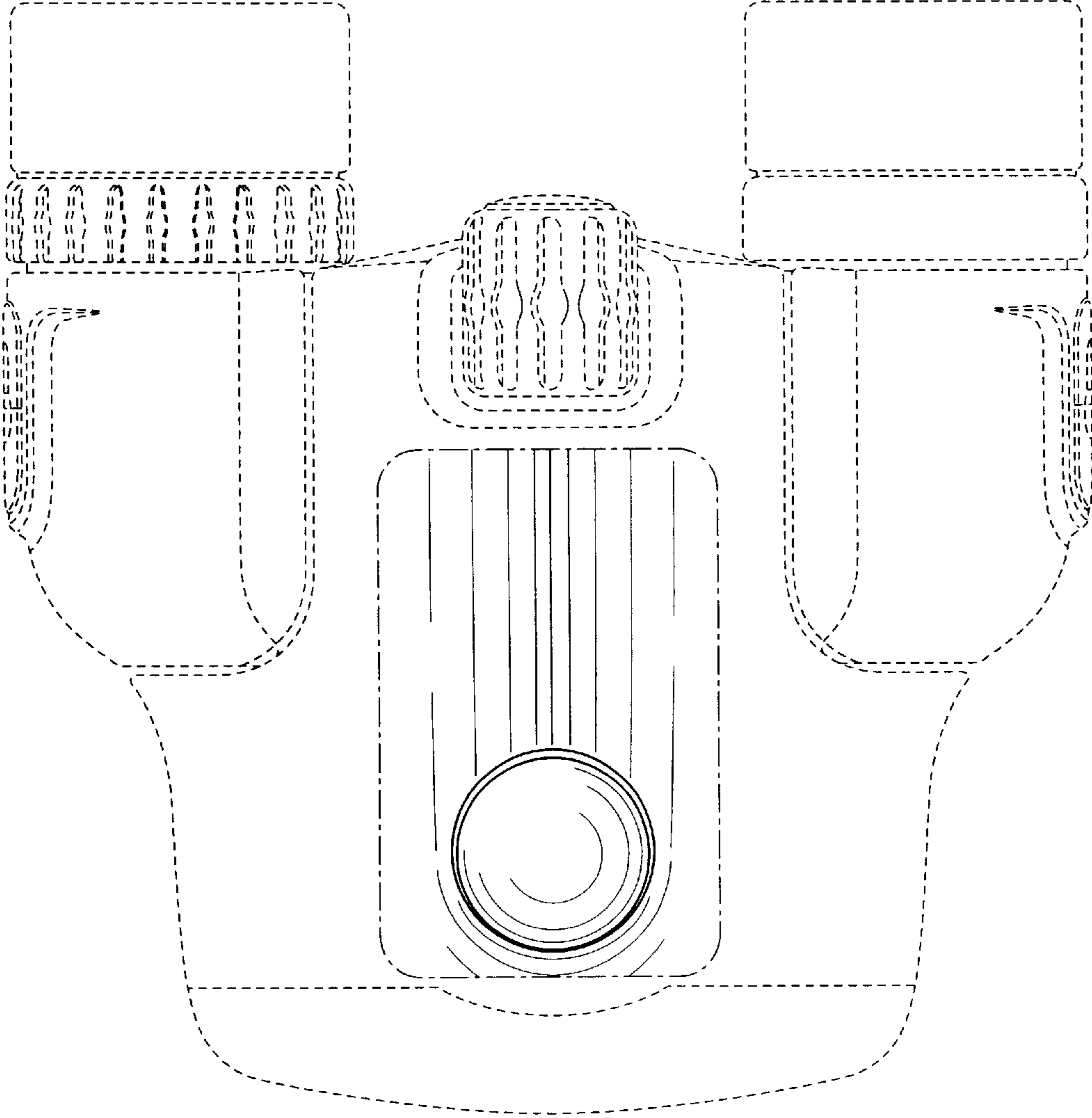


FIG. 8

