

US00D508701S

(12) **United States Design Patent**
Corcoran et al.

(10) **Patent No.:** **US D508,701 S**

(45) **Date of Patent:** **** Aug. 23, 2005**

(54) **HAND OPERATED ROLLER PRESS**

(75) Inventors: **Kevin L. Corcoran**, Mission Viejo, CA (US); **Erin Highberg**, Laguna Beach, CA (US)

(73) Assignee: **Ellison Educational Equipment, Inc.**, Lake Forest, CA (US)

(**) Term: **14 Years**

(21) Appl. No.: **29/207,183**

(22) Filed: **Jun. 8, 2004**

(51) **LOC (8) Cl.** **15-09**

(52) **U.S. Cl.** **D15/123**

(58) **Field of Search** D15/123; 100/176; 101/120, 127.1, 244, 336; 242/156, 419.9; 156/495, 522, 542, 555-556, 579, DIG. 2, DIG. 27, DIG. 33, DIG. 39, DIG. 42, DIG. 48; 452/142

(56) **References Cited**

U.S. PATENT DOCUMENTS

3,774,538 A * 11/1973 Bullock 101/336
4,758,303 A * 7/1988 Shastko 156/542

4,911,069 A * 3/1990 Hayama et al. 101/120
5,584,962 A * 12/1996 Bradshaw et al. 156/495
5,738,578 A * 4/1998 Marchese 452/142
5,961,779 A * 10/1999 Bradshaw 156/495
RE37,345 E * 9/2001 Bradshaw et al. 156/495

* cited by examiner

Primary Examiner—Antoine D. Davis

(74) *Attorney, Agent, or Firm*—Morland C. Fischer

(57) **CLAIM**

The ornamental design for a hand operated roller press, as shown and described.

DESCRIPTION

FIG. 1 is a perspective view showing the top, right side and front of a hand operated roller press which forms our new design;

FIG. 2 is a front elevational view thereof;

FIG. 3 is a rear elevational view thereof;

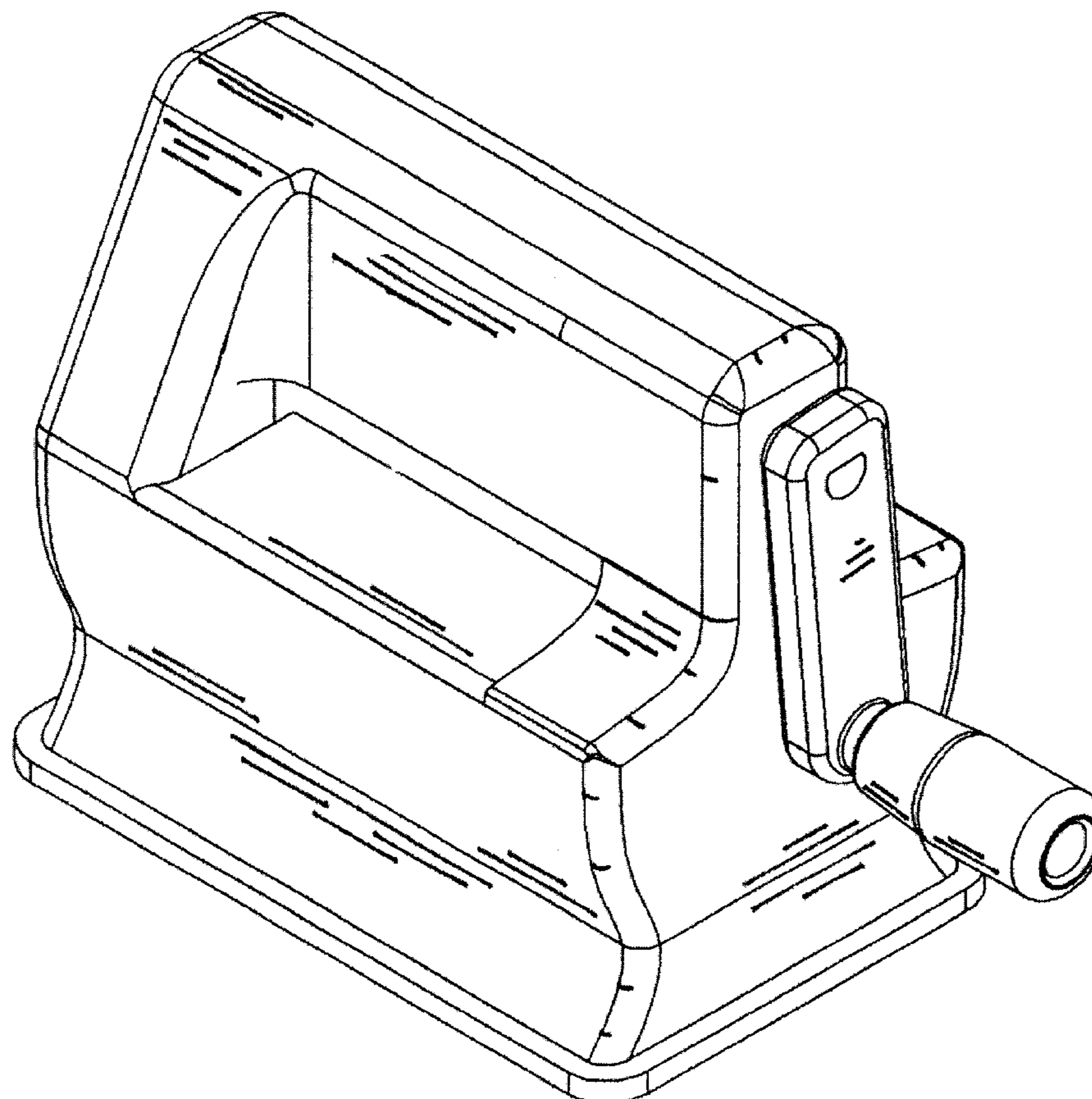
FIG. 4 is a top plan view thereof;

FIG. 5 is a bottom plan view thereof;

FIG. 6 is a right side elevational view thereof; and,

FIG. 7 is a left side elevational view thereof.

1 Claim, 4 Drawing Sheets



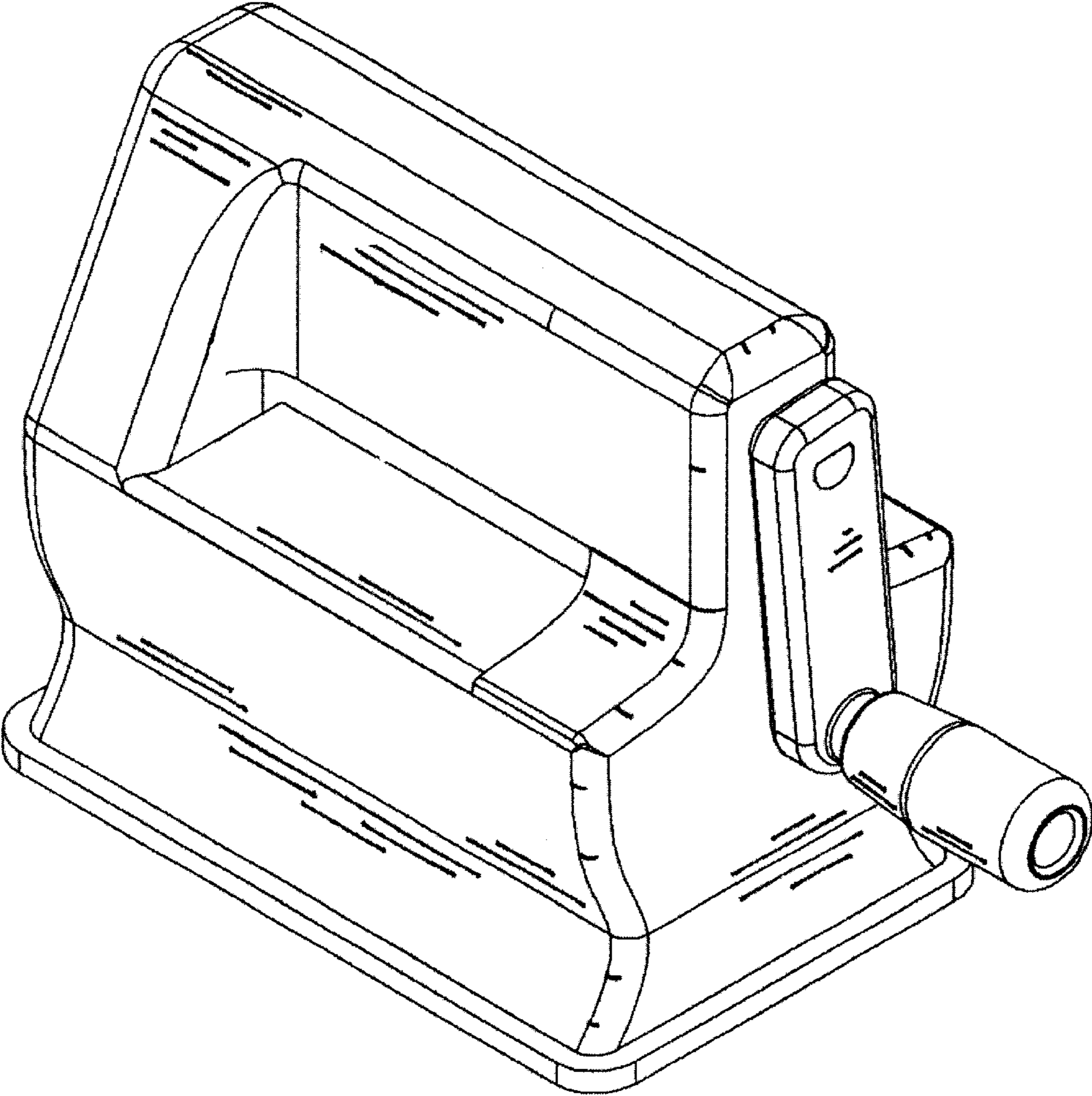


FIG. 1

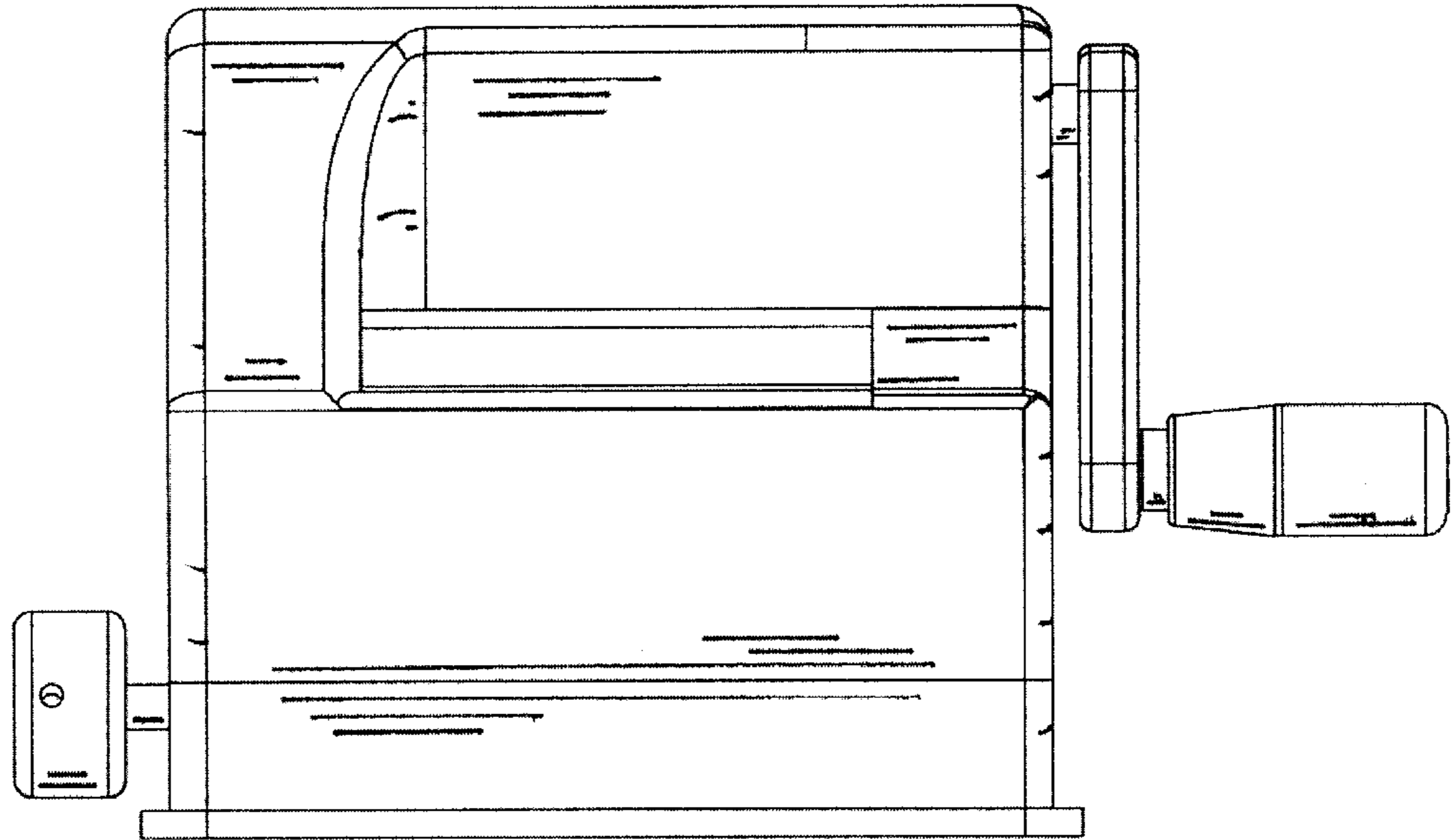


FIG. 2

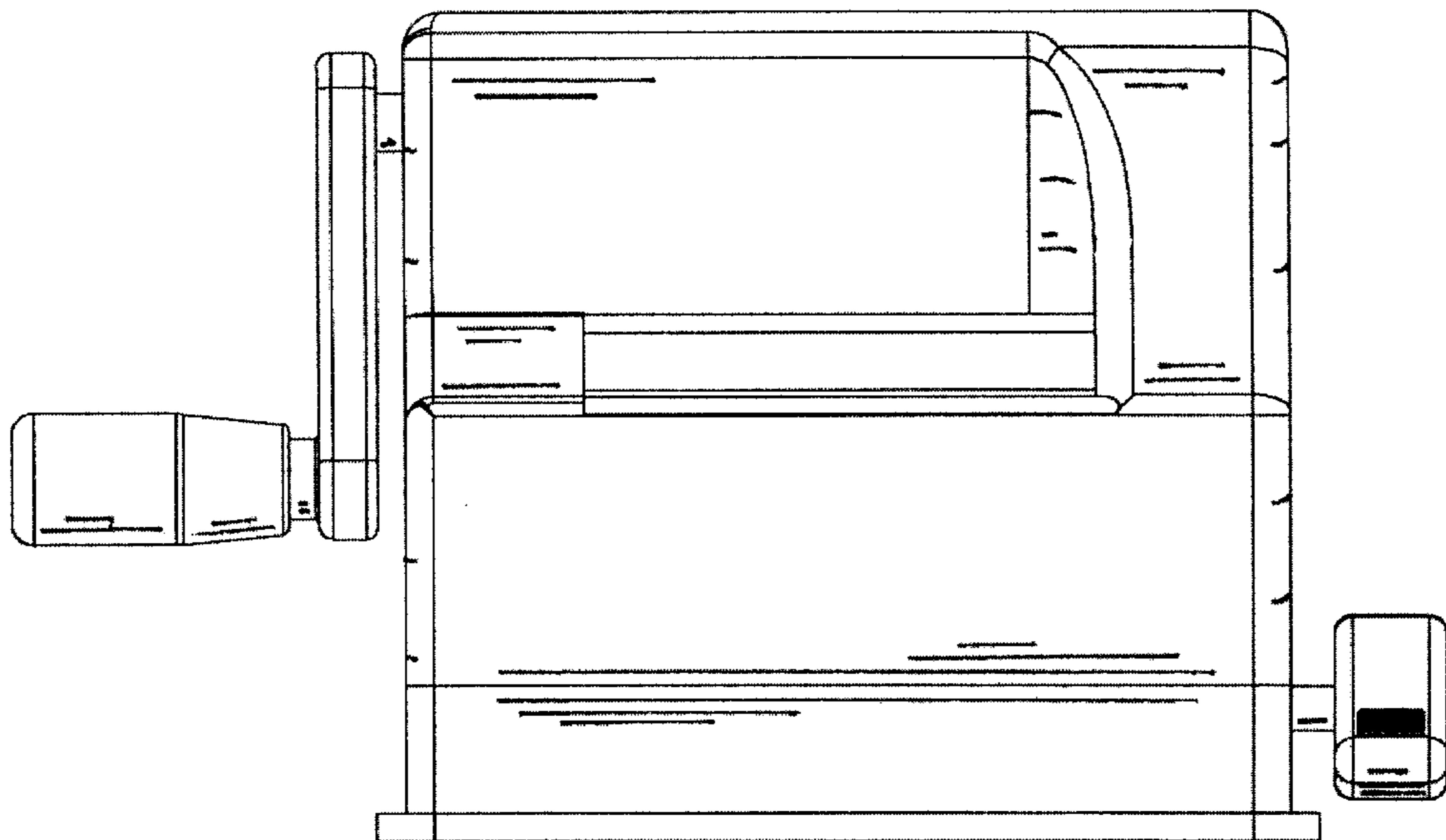


FIG. 3

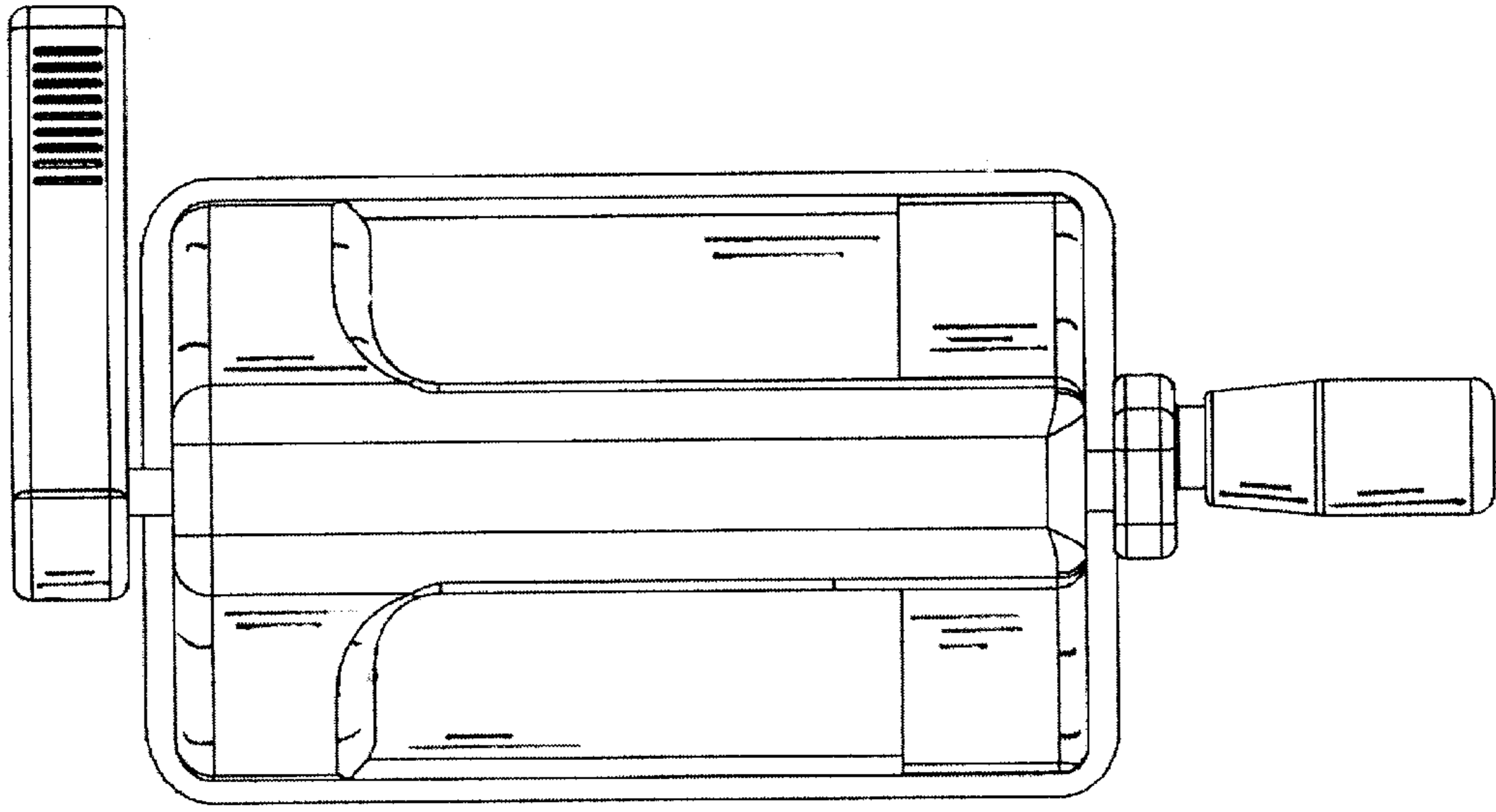


FIG. 4

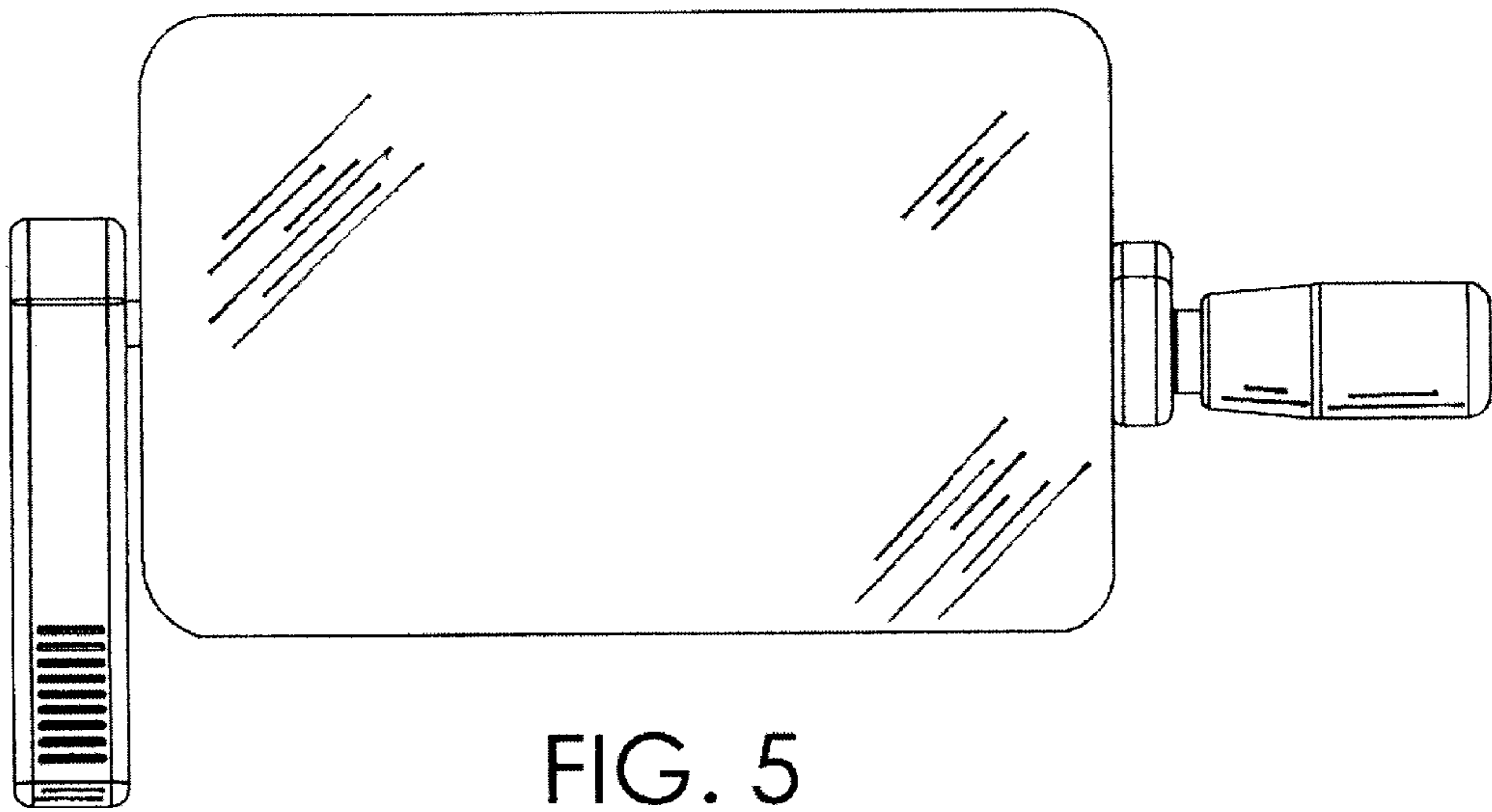


FIG. 5

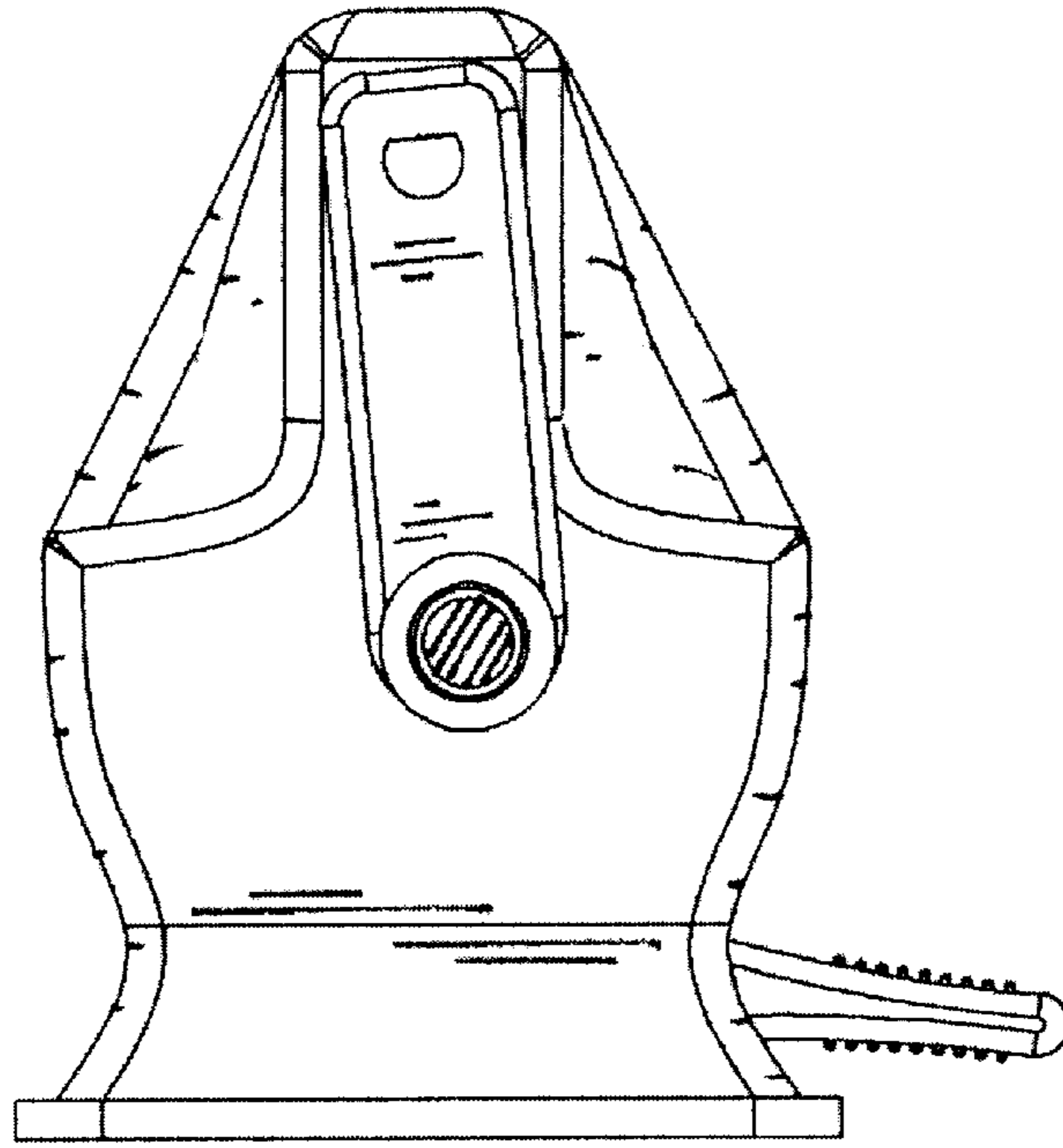


FIG. 6

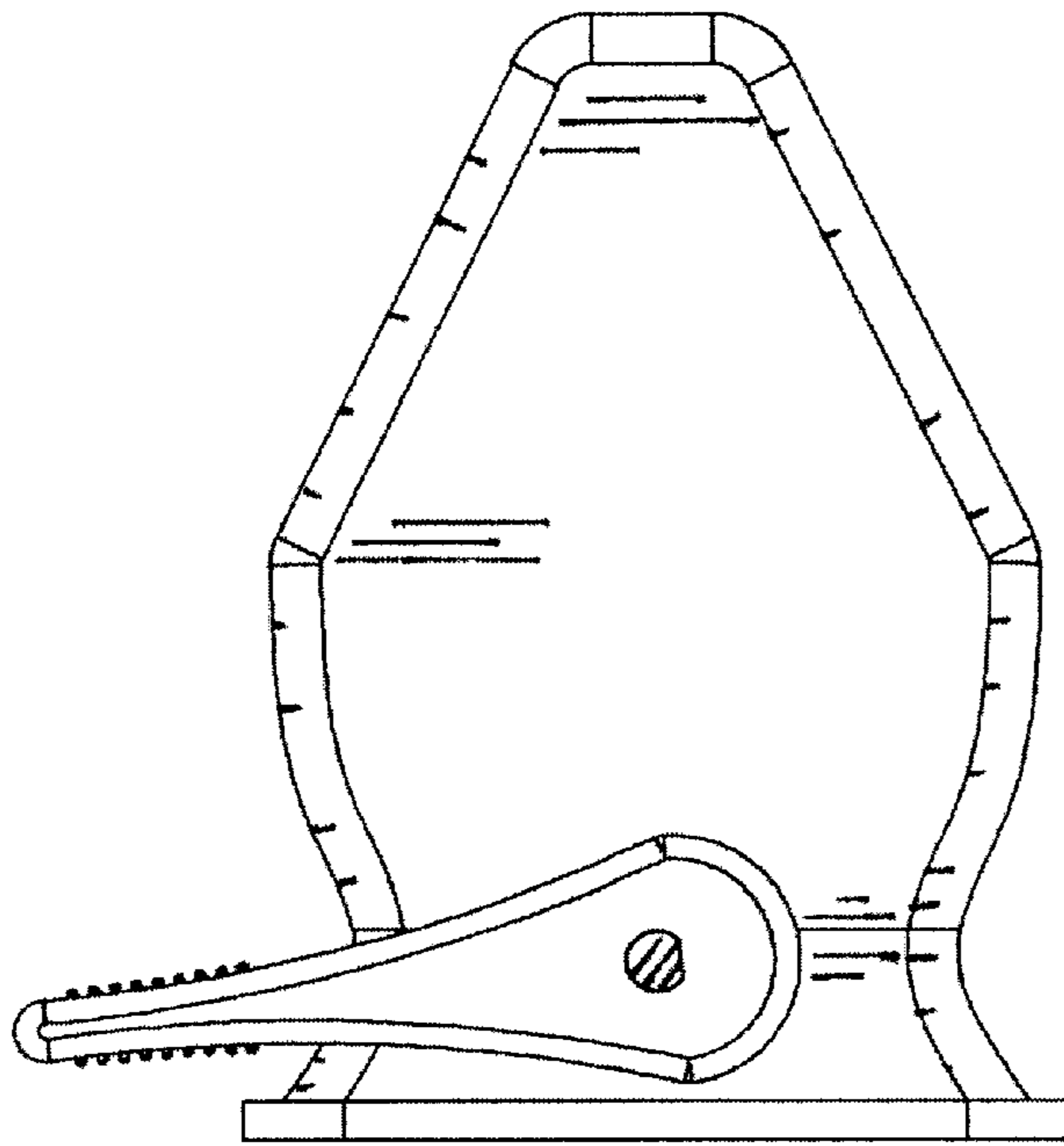


FIG. 7