

US00D508689S

(12) **United States Design Patent** (10) **Patent No.:** **US D508,689 S**
Schul et al. (45) **Date of Patent:** **** Aug. 23, 2005**

(54) **PORTABLE AUDIO SYSTEM**

(57) **CLAIM**

(75) Inventors: **Eran Schul**, Goshen, NY (US); **Eric Aaron Langberg**, Milford, PA (US); **David Burke**, Henryville, PA (US)

The ornamental design for a portable audio system, as shown and described.

(73) Assignee: **Altec Lansing Technologies, Inc.**, Milford, PA (US)

DESCRIPTION

(**) Term: **14 Years**

FIG. 1 is a rear elevational view of a portable audio speaker showing our new design;
FIG. 2 is a front elevational view thereof;
FIG. 3 is a left side elevational view thereof;
FIG. 4 is a right right elevational view thereof;
FIG. 5 is a top plan view thereof;
FIG. 6 is a rear perspective view thereof;
FIG. 7 is a front perspective view thereof;
FIG. 8 is a left side elevational view thereof when open;
FIG. 9 is a right side elevational view thereof when open;
FIG. 10 is a rear elevational view of FIG. 8;
FIG. 11 is a front elevational view of FIG. 8;
FIG. 12 is a bottom plan view of FIG. 8;
FIG. 13 is a top plan view of FIG. 8;
FIG. 14 is a front perspective view of FIG. 8;
FIG. 15 is a rear perspective view of FIG. 8;
FIG. 16 is a rear elevational view of FIG. 8 with a portable audio device;
FIG. 17 is a front elevational view of FIG. 16;
FIG. 18 is a top plan view of FIG. 16;
FIG. 19 is a rear perspective view of FIG. 16; and,
FIG. 20 is a front perspective view of FIG. 16.
The broken line showing a portable audio device on FIGS. 16-20 is for illustrative purposes only and forms no part of the claimed design.

(21) Appl. No.: **29/191,779**

(22) Filed: **Oct. 15, 2003**

(51) **LOC (8) Cl.** **14-01**

(52) **U.S. Cl.** **D14/172**

(58) **Field of Search** D14/204, 207, D14/209-216, 356, 172; 181/143-144, 147-148, 150, 157, 198-199, 151, 153; 381/300-302, 306, 333, 345, 361-364, 386-388, 332, 336

(56) **References Cited**

U.S. PATENT DOCUMENTS

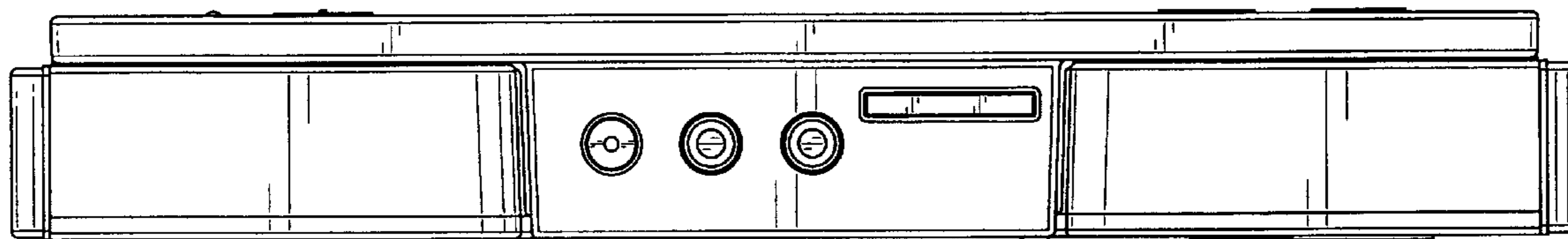
D282,539 S	*	2/1986	Clason	D14/213
D367,476 S	*	2/1996	Martin	D14/214
D432,518 S	*	10/2000	Muto	D14/172
D440,556 S	*	4/2001	Kobayashi et al.	D14/215
D475,037 S	*	5/2003	Leung	D14/204

* cited by examiner

Primary Examiner—Nanda Bondade

(74) *Attorney, Agent, or Firm*—Greenberg Traurig, LLP

1 Claim, 18 Drawing Sheets



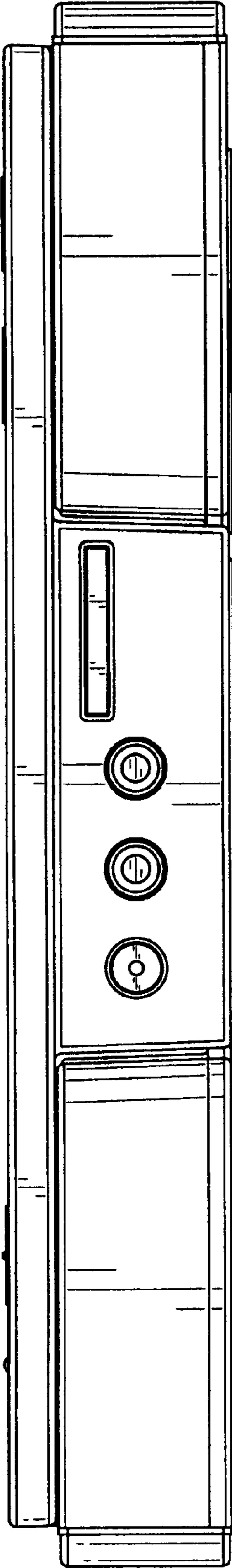


FIG. 1

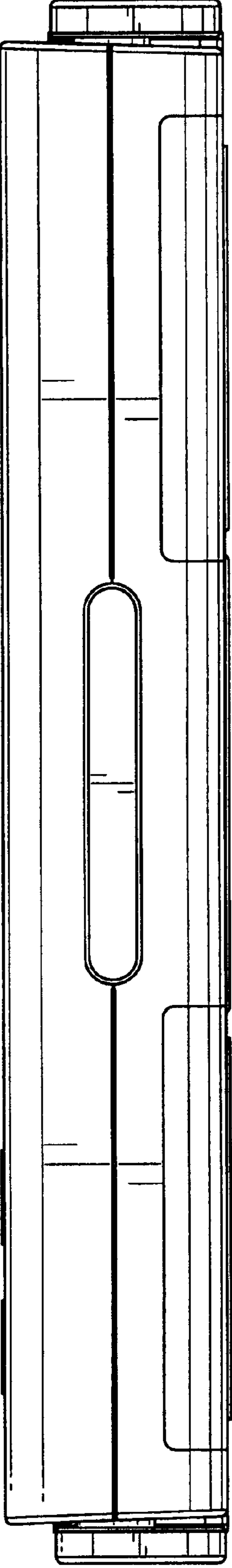


FIG. 2

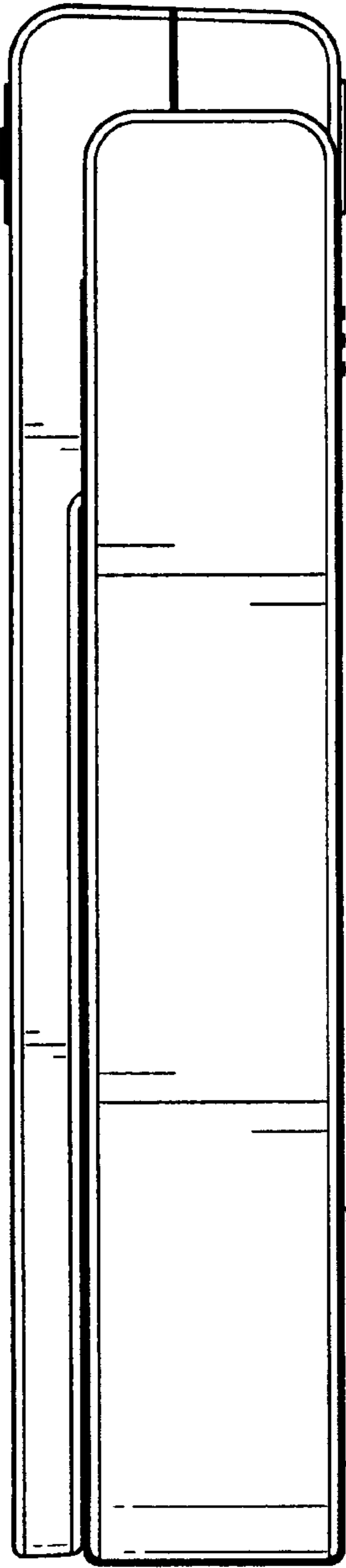


FIG. 3

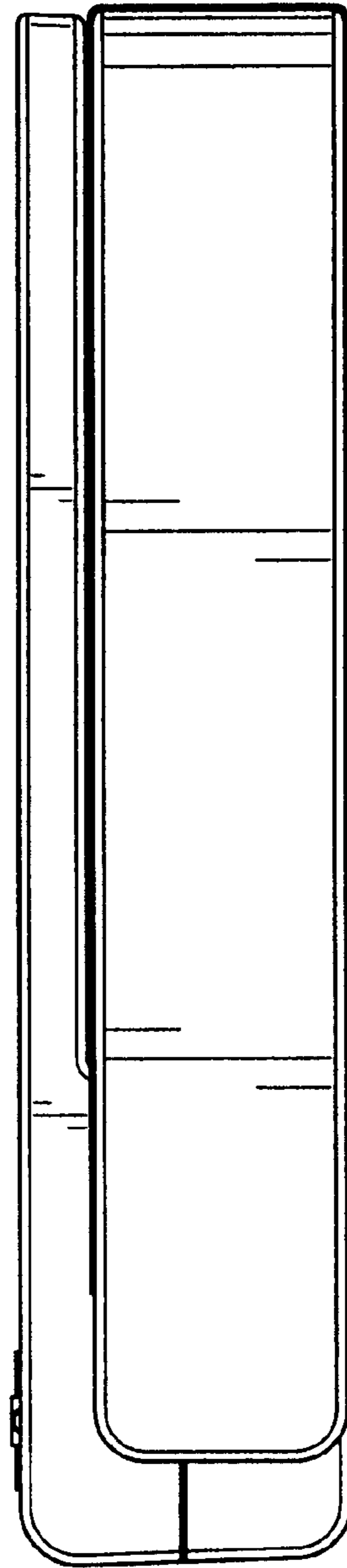


FIG. 4

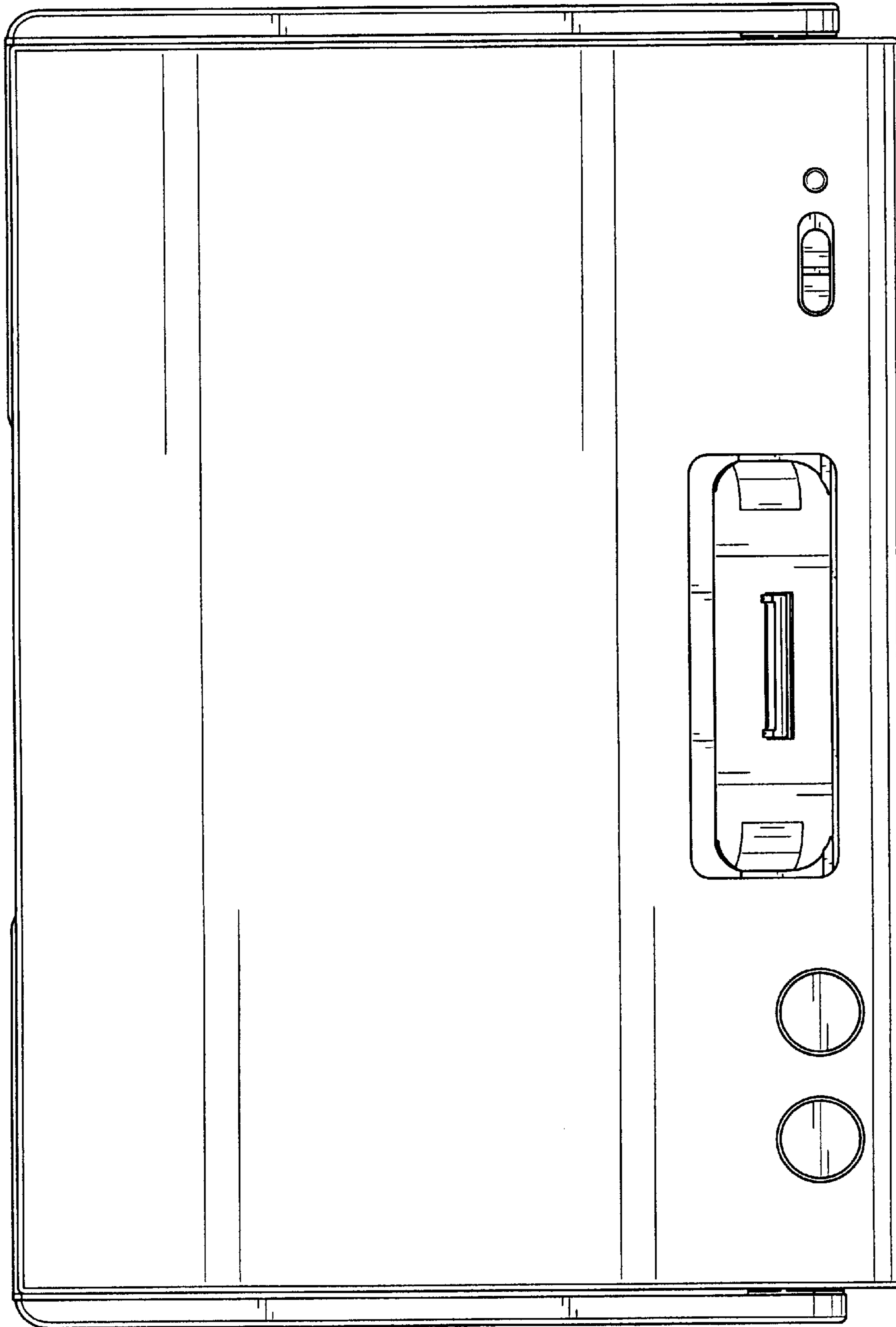


FIG. 5

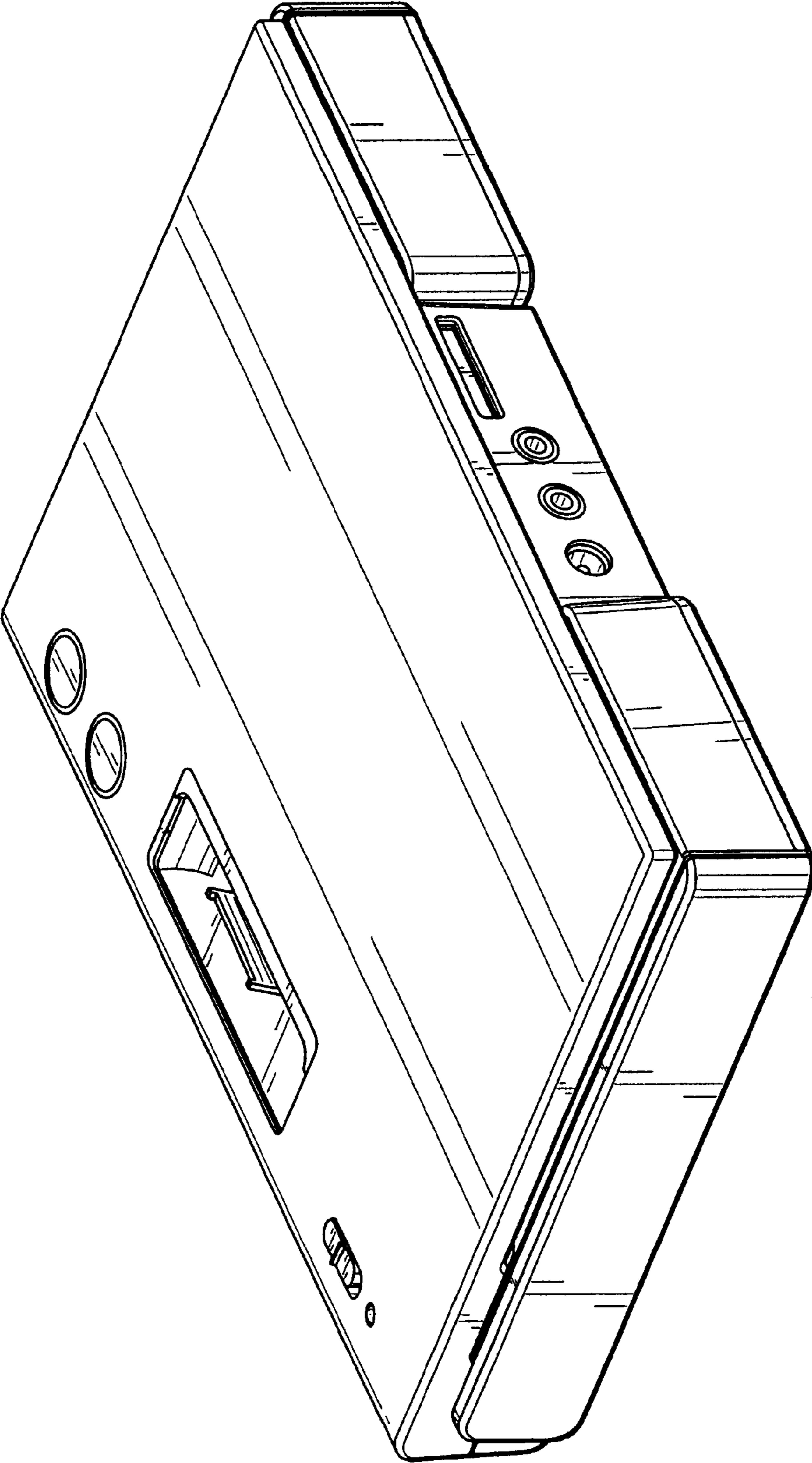


FIG. 6

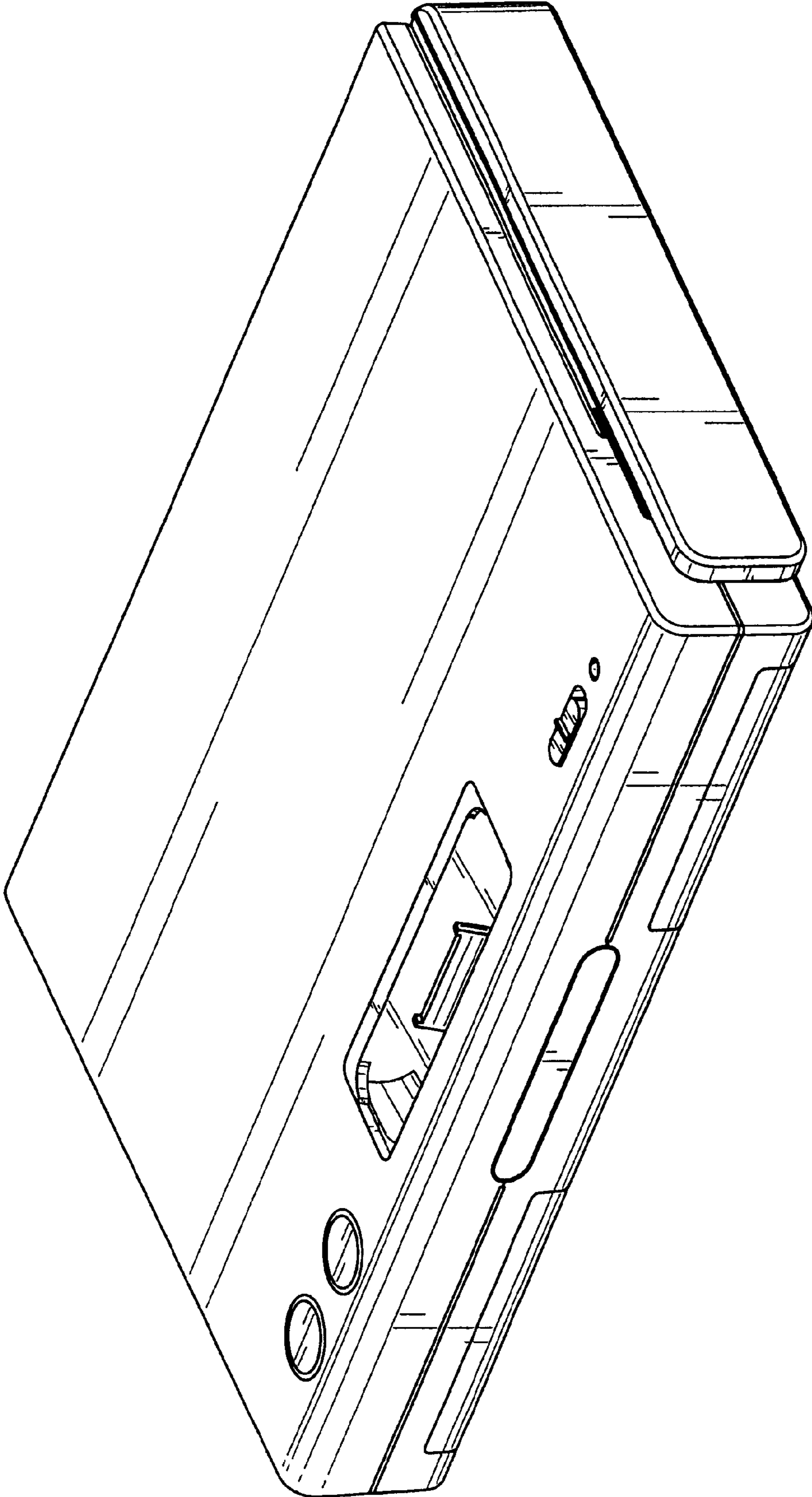


FIG. 7

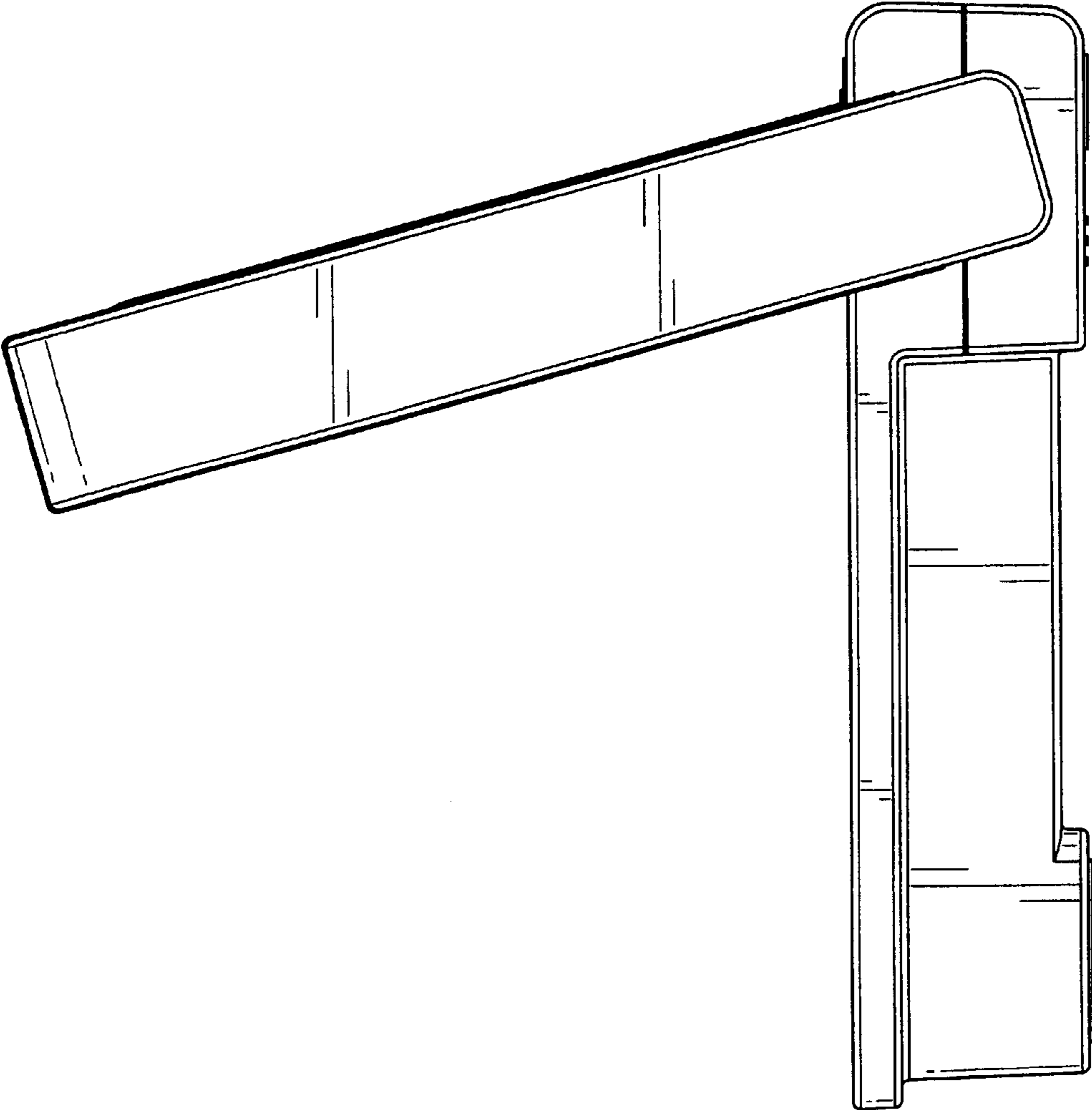


FIG. 8

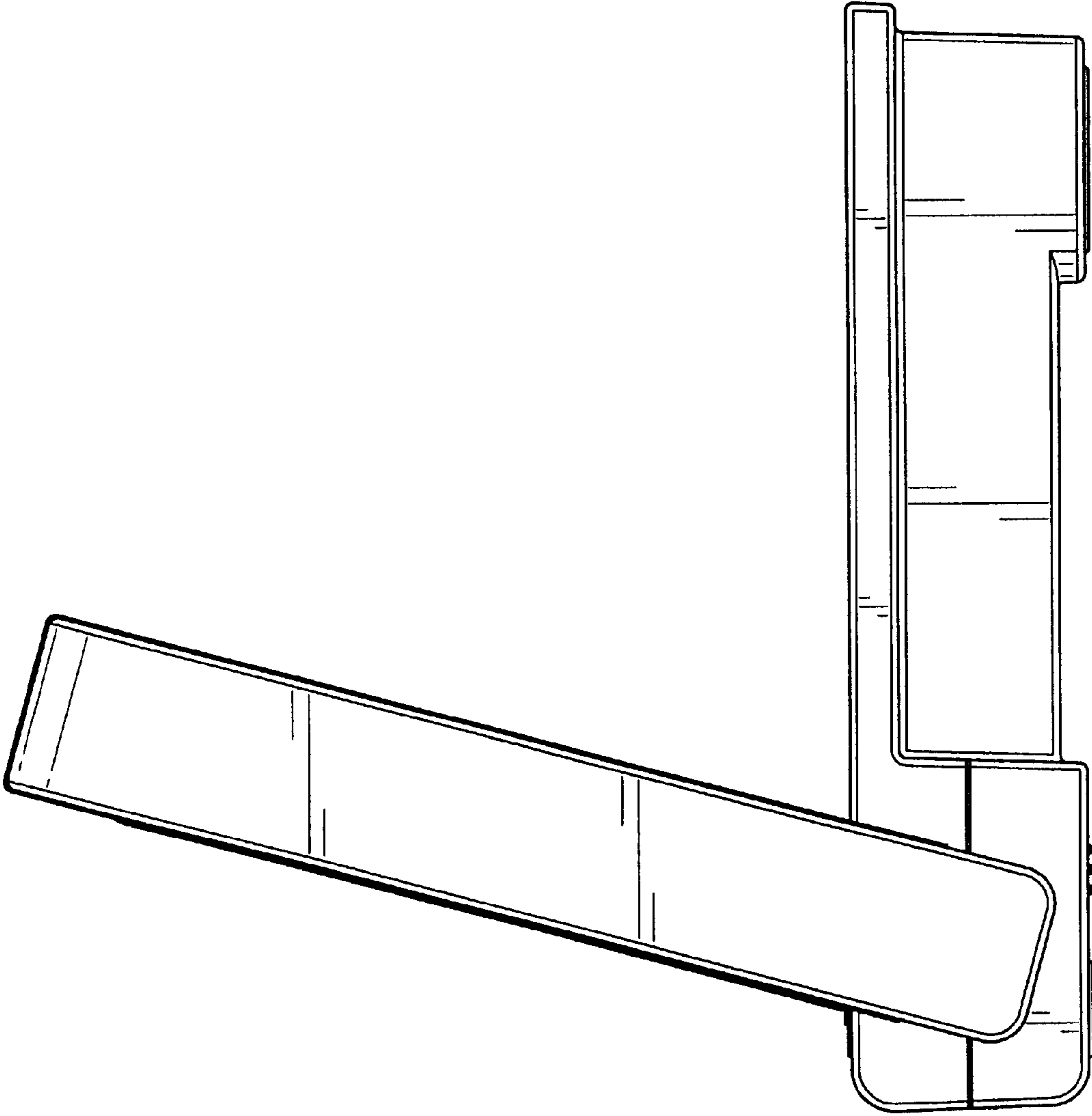


FIG. 9

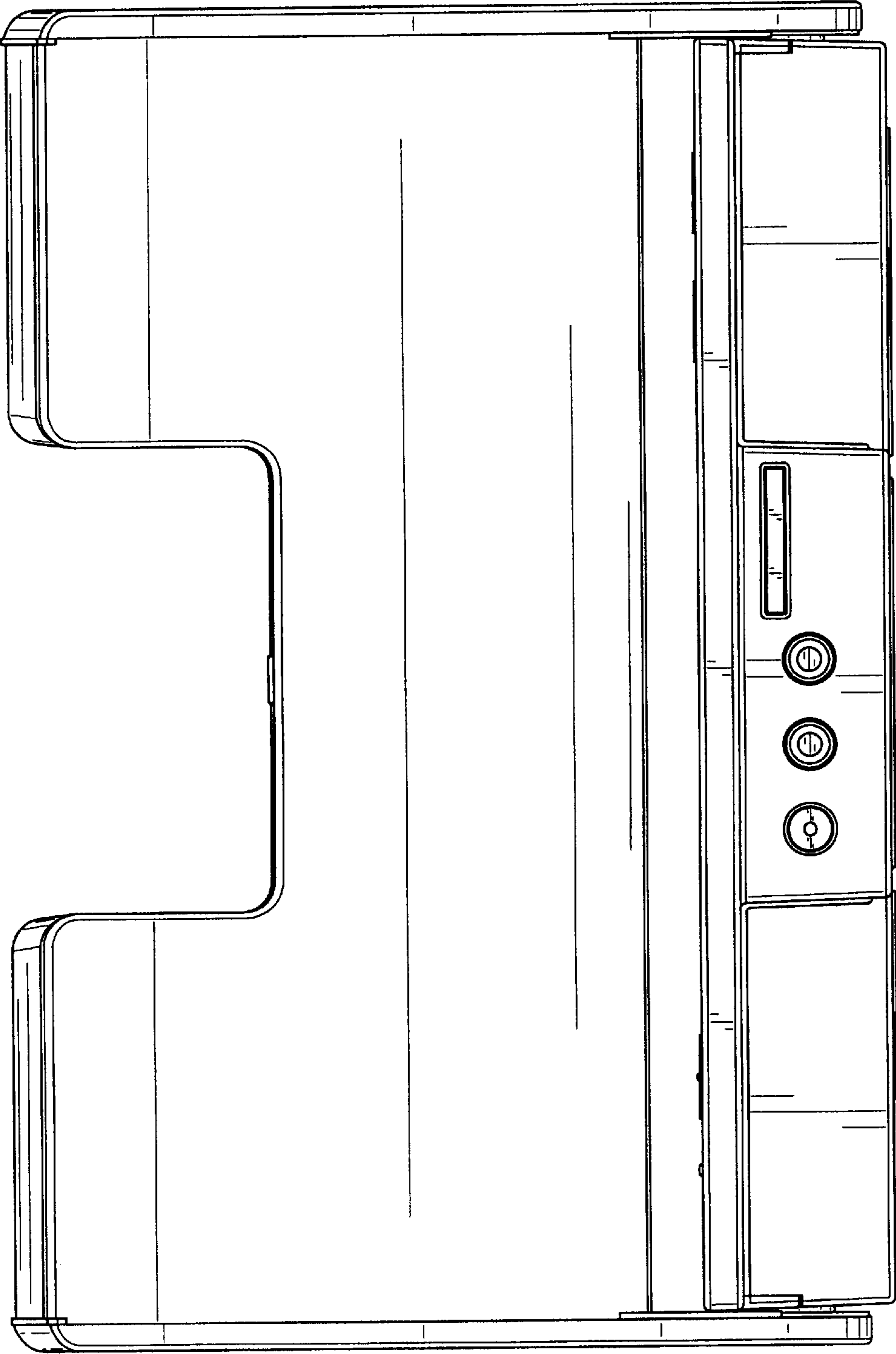


FIG. 10

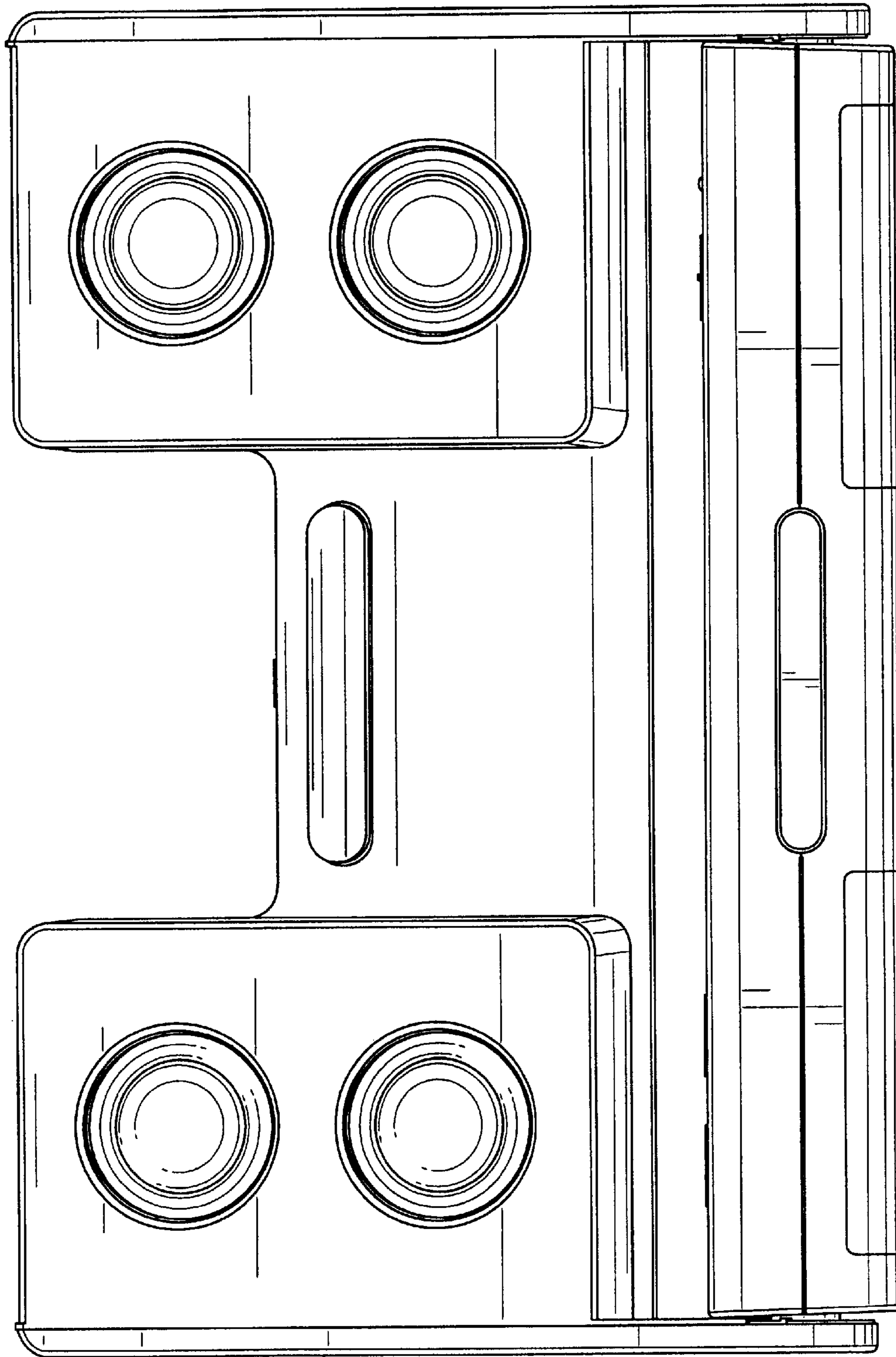


FIG. 11

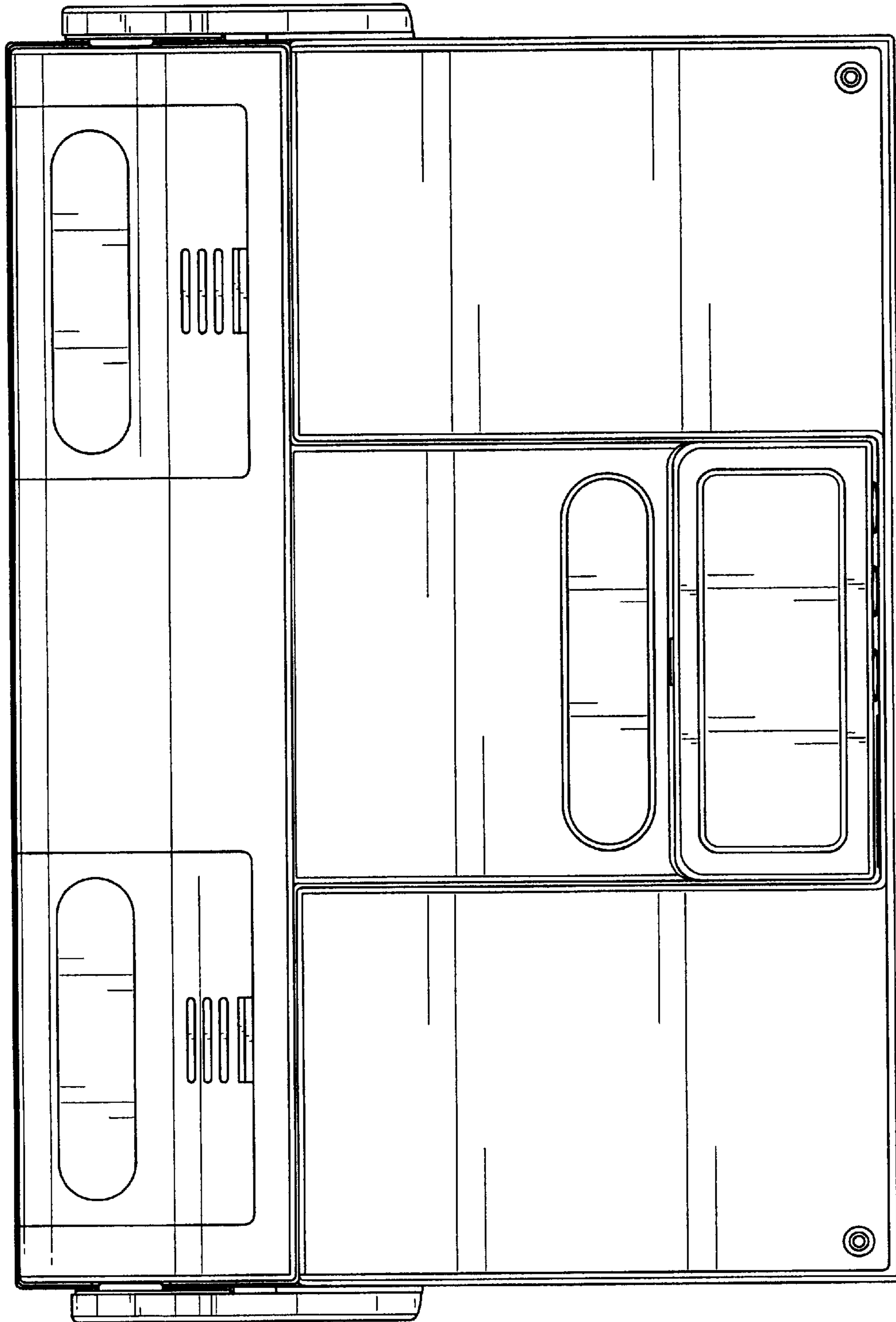


FIG. 12

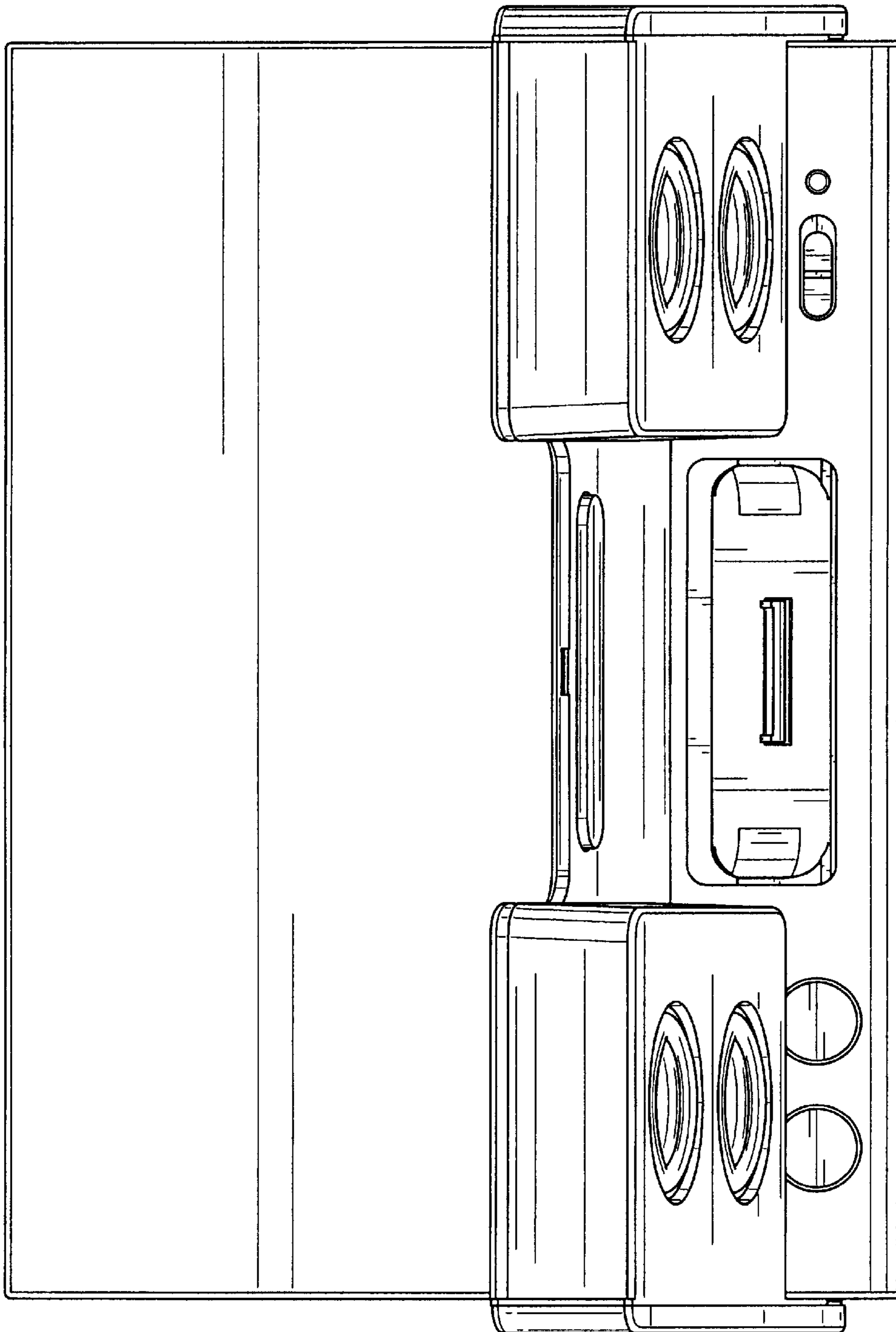


FIG. 13

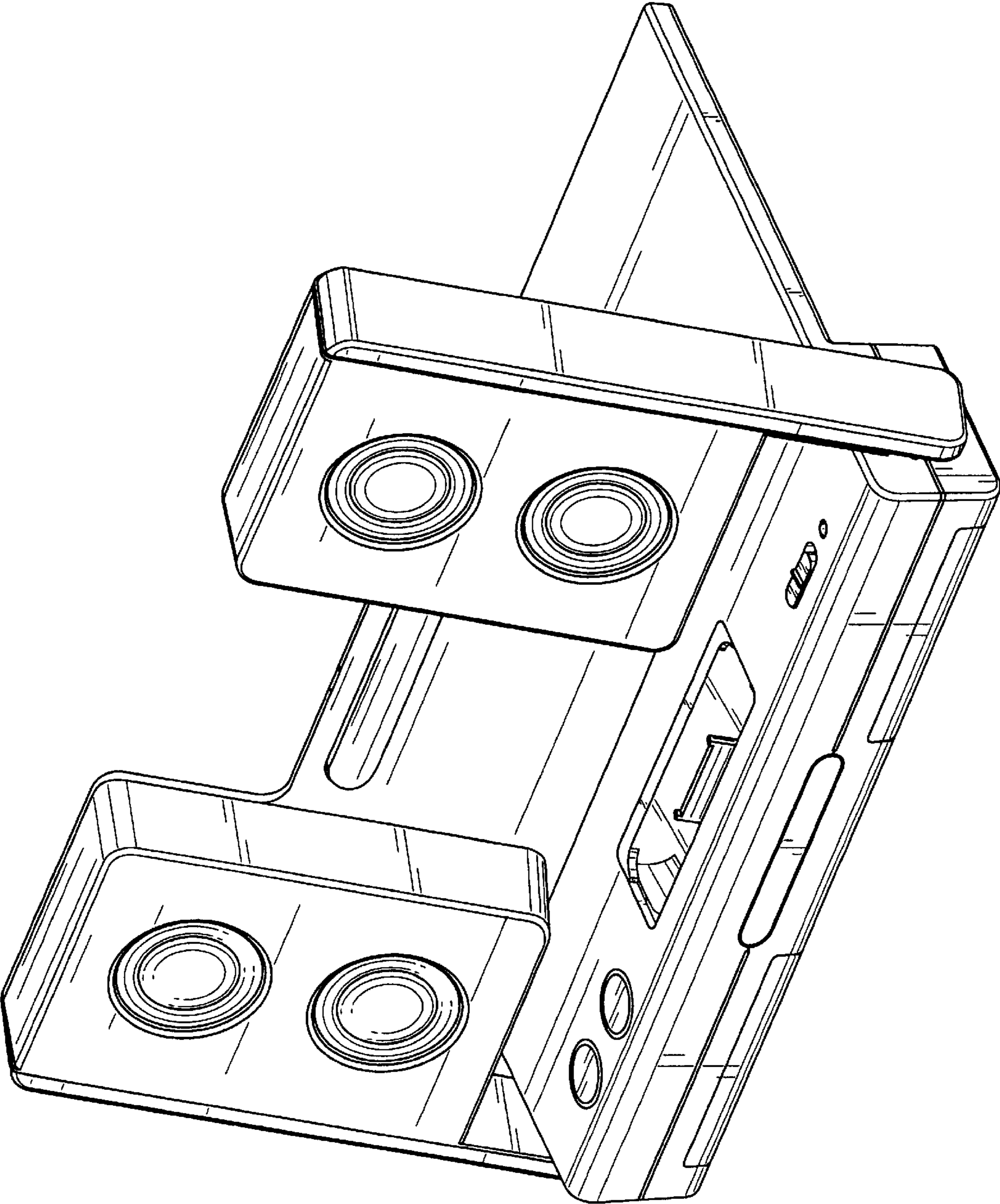


FIG. 14

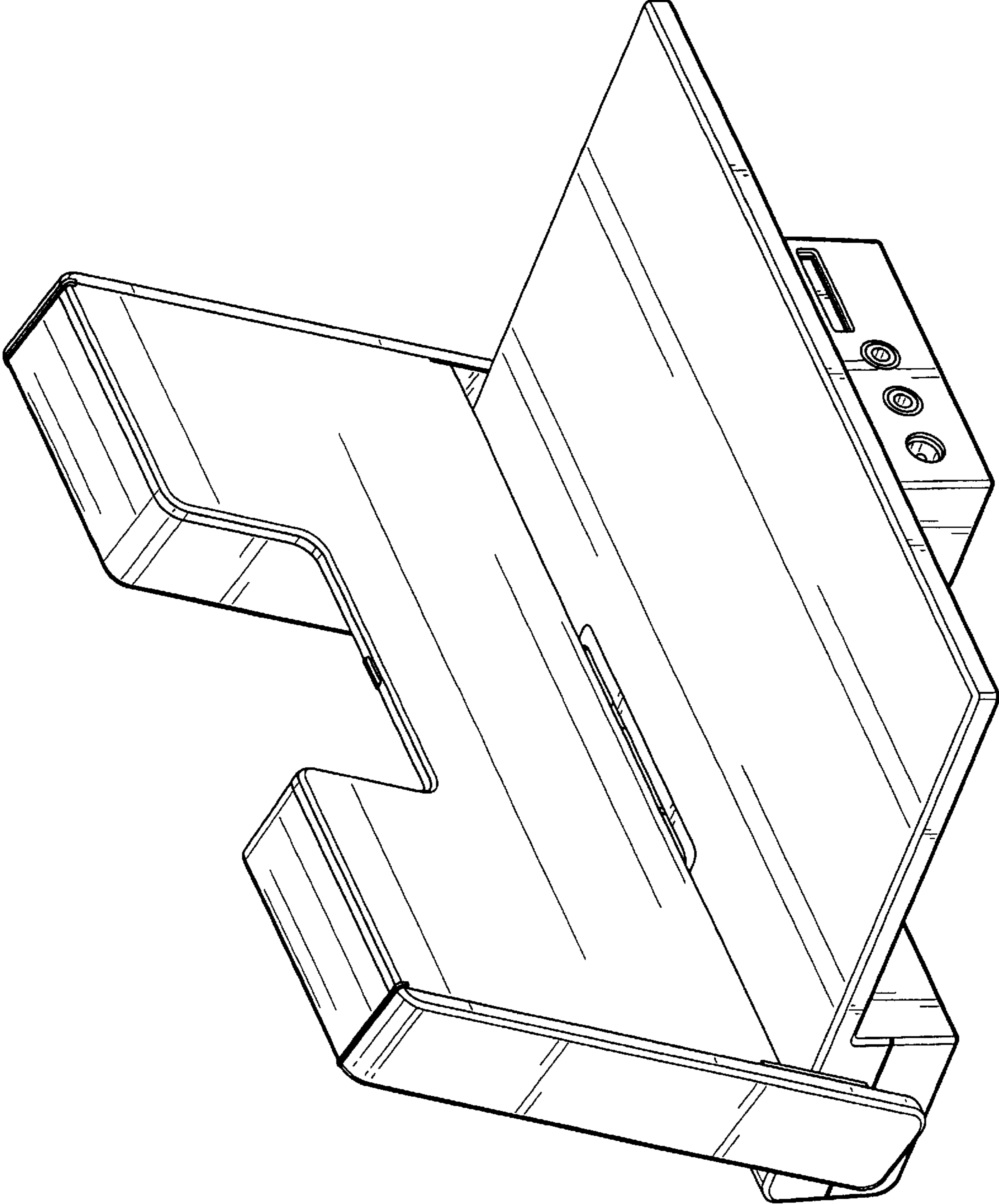


FIG. 15

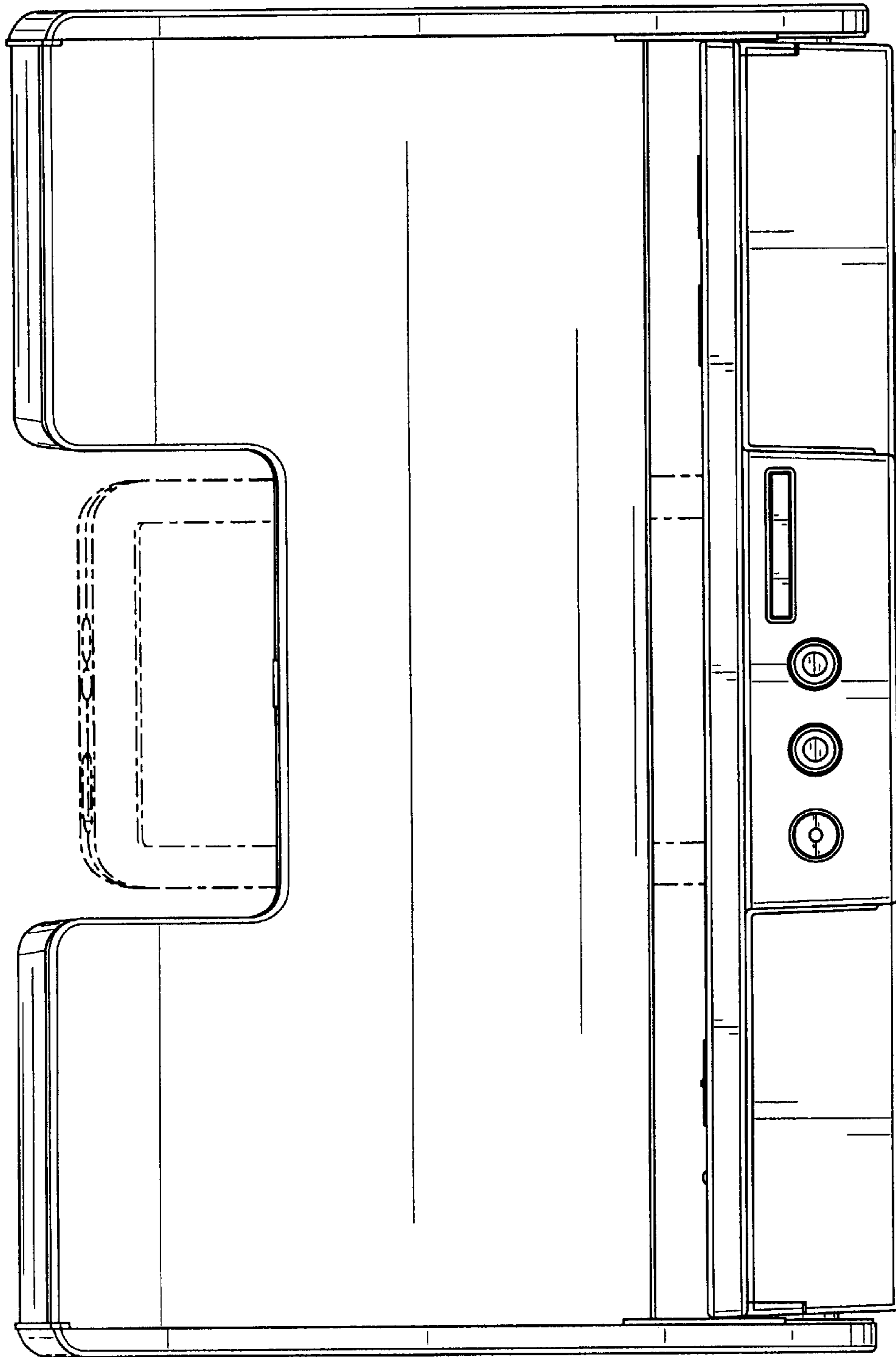


FIG. 16

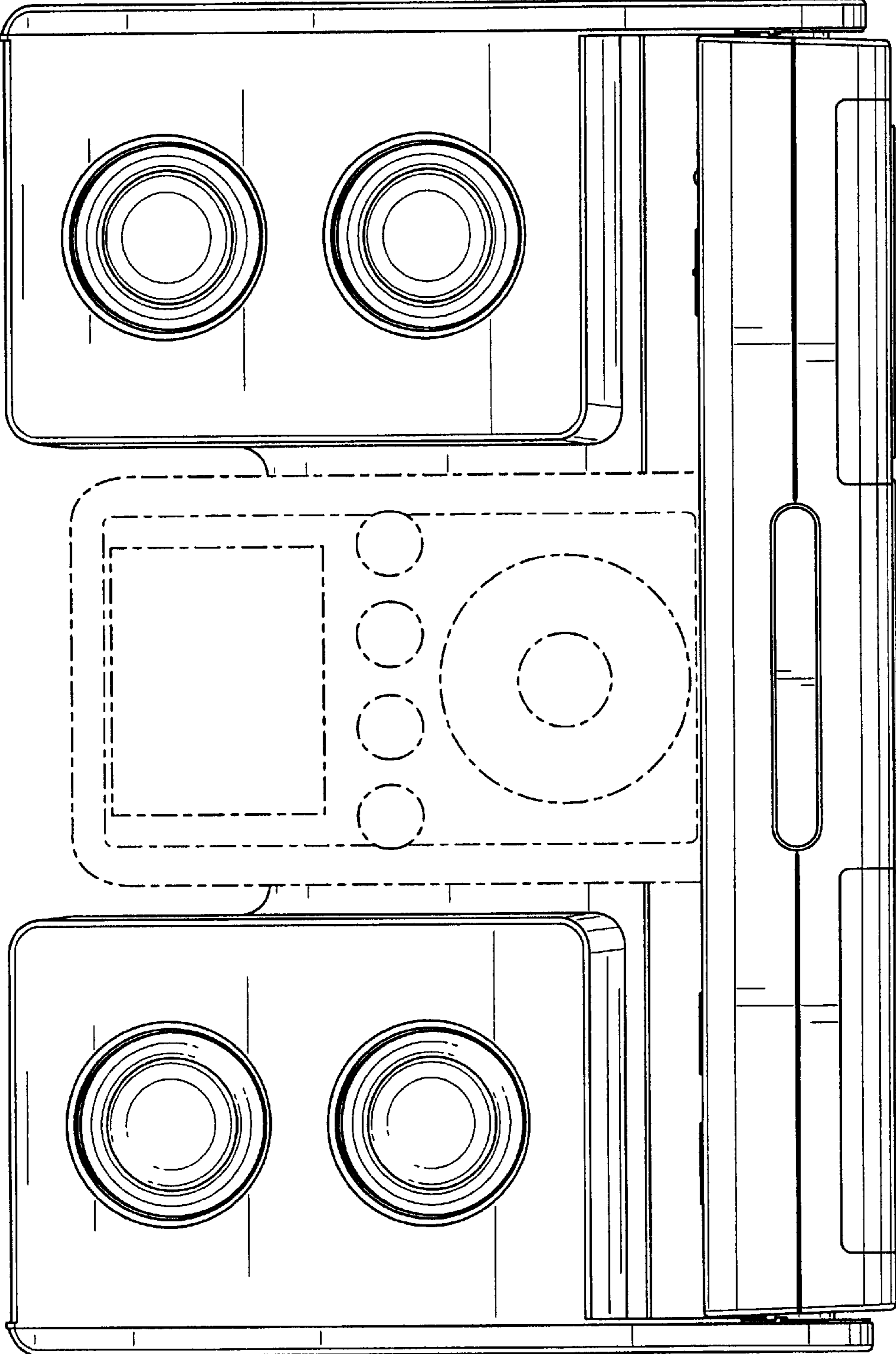


FIG. 17

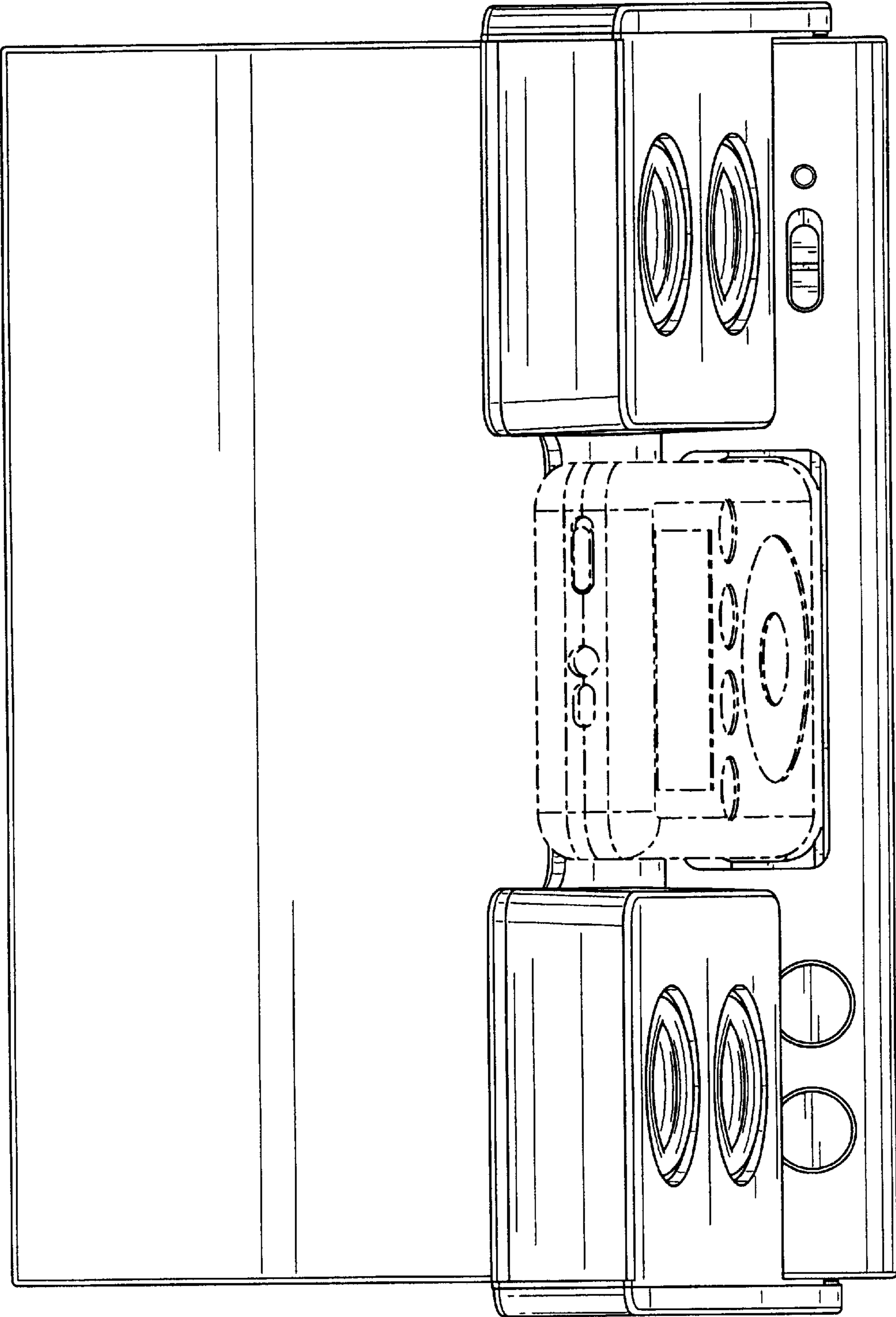


FIG. 18

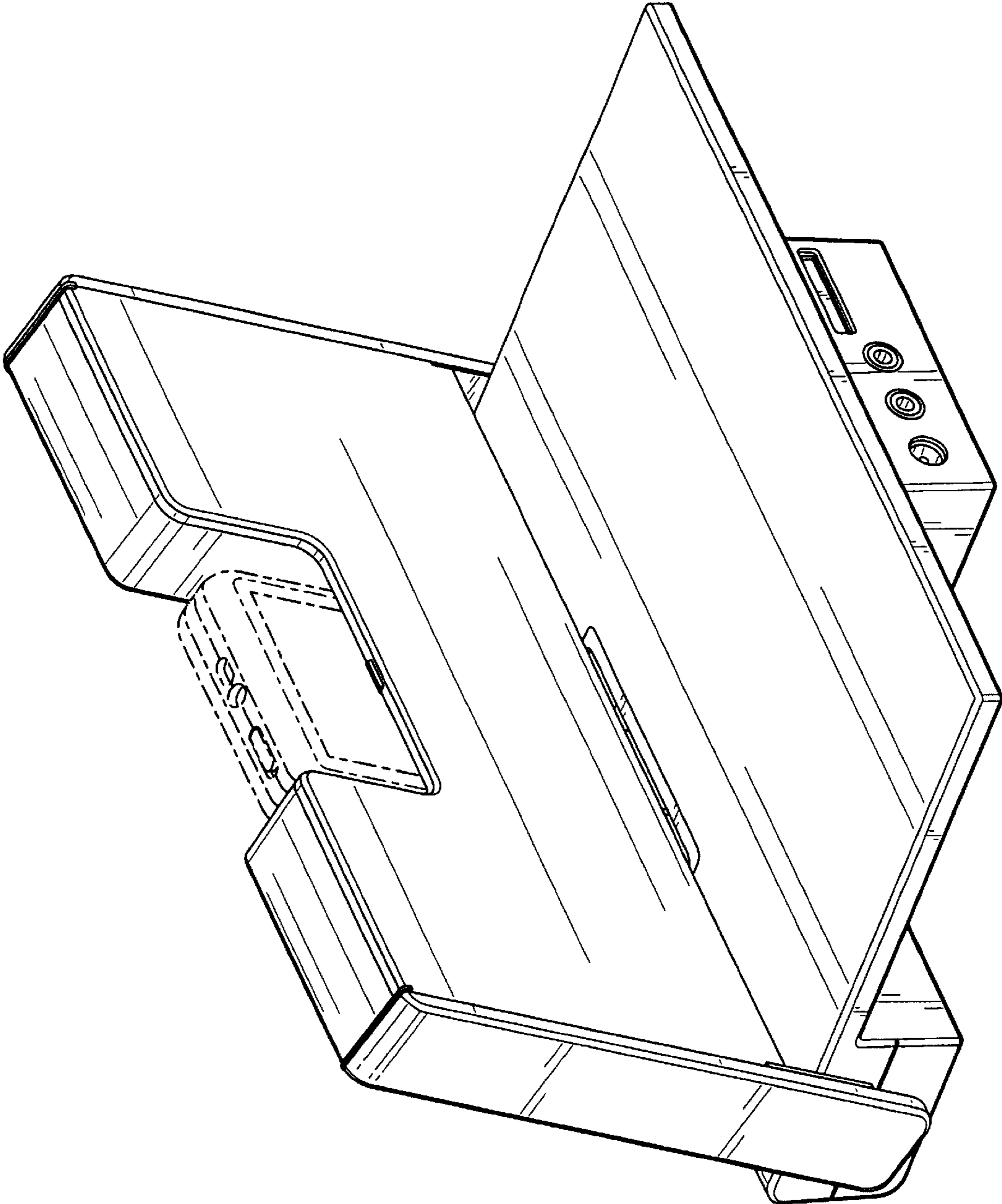


FIG. 19

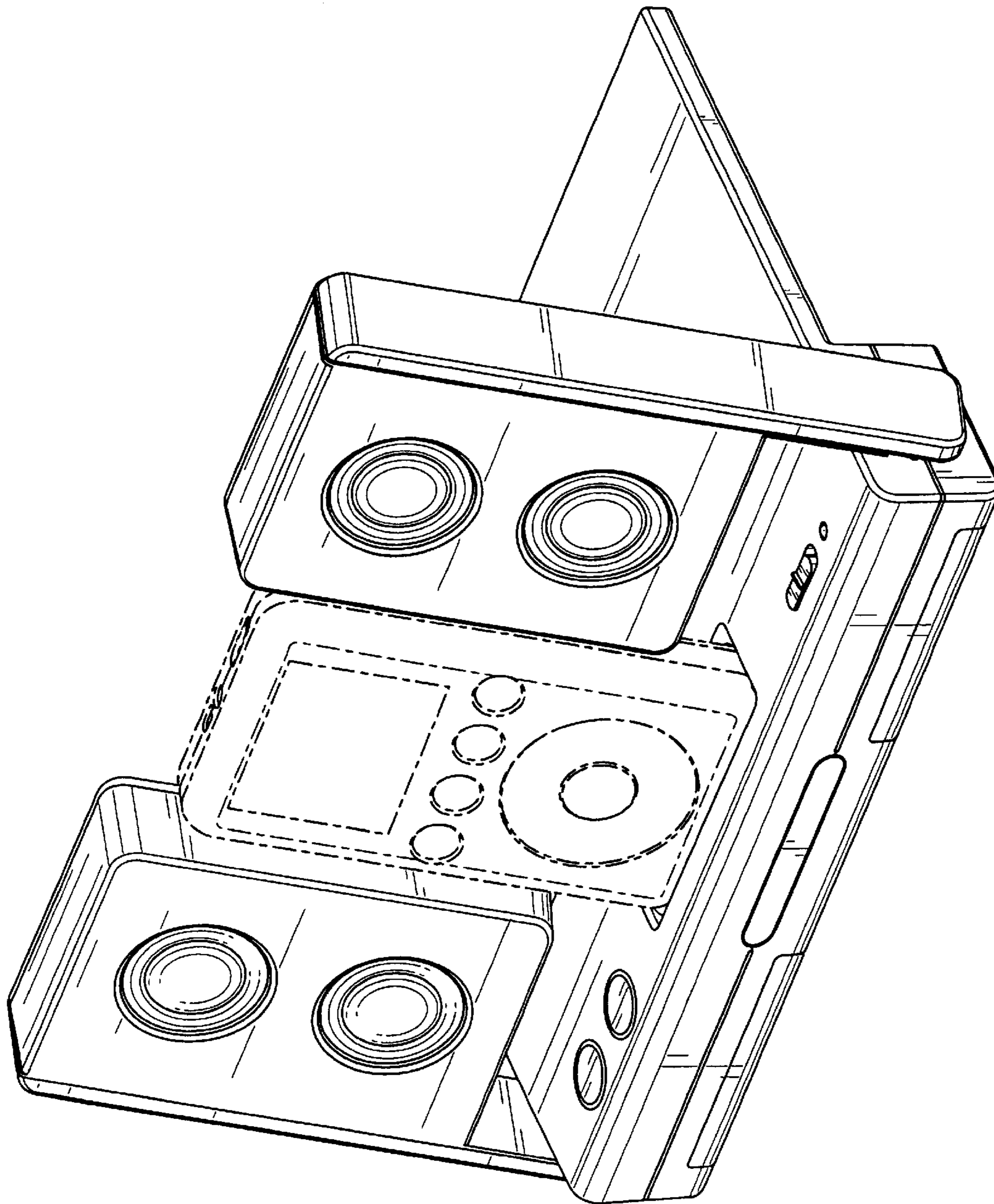


FIG. 20