

US00D508685S

(12) **United States Design Patent** (10) **Patent No.:** **US D508,685 S**
Kim et al. (45) **Date of Patent:** **** Aug. 23, 2005**

(54) **PORTABLE TELEPHONE**
(75) Inventors: **Jin-Soo Kim**, Seoul (KR); **Nam-Mi Kim**, Seoul (KR); **Chang-Hwan Hwang**, Seoul (KR)
(73) Assignee: **Samsung Electronics Co., Ltd.**, Kyunggi-Do (KR)
(**) Term: **14 Years**
(21) Appl. No.: **29/204,882**
(22) Filed: **May 5, 2004**
(51) **LOC (8) Cl.** **14-03**
(52) **U.S. Cl.** **D14/138**
(58) **Field of Search** D14/137, 138, D14/218, 147-148, 247-248, 144, 341-347; 379/433.01-433.13, 419, 434, 428.01-428.04, 420.01-420.04, 440; 455/550.1-90.3; D21/517; D13/168; 345/168, 169

D493,439 S * 7/2004 Hong et al. D14/138
D493,440 S * 7/2004 Chou et al. D14/138
D495,672 S * 9/2004 Jeon et al. D14/138
D495,674 S * 9/2004 Yoo et al. D14/138
D496,020 S * 9/2004 Lee D14/138
D496,021 S * 9/2004 Jang D14/138
2001/0036845 A1 * 11/2001 Park 455/566
2002/0187818 A1 * 12/2002 Kang 455/575
2003/0109232 A1 * 6/2003 Park et al. 455/90
2004/0009790 A1 * 1/2004 Im 455/556.1
2004/0023684 A1 * 2/2004 Sato et al. 455/550.1
2004/0097258 A1 * 5/2004 Lee et al. 455/550.1
2004/0097262 A1 * 5/2004 Lee 455/556.1
2004/0132513 A1 * 7/2004 Taneda et al. 455/575.3
2004/0142718 A1 * 7/2004 Kim 455/550.1
2004/0142734 A1 * 7/2004 Kim 455/575.1

FOREIGN PATENT DOCUMENTS

JP D1154363 * 9/2002

OTHER PUBLICATIONS

U.S. Appl. No. 29/204,883, Applicant: Jin-Soo Kim, et al., filed May 5, 2004, including specification, claim and 5 sheets of drawings.

* cited by examiner

Primary Examiner—Jeffrey Asch
(74) *Attorney, Agent, or Firm*—Flynn, Thiel, Boutell & Tanis, P.C.

(57) **CLAIM**

The ornamental design for a portable telephone, as shown and described.

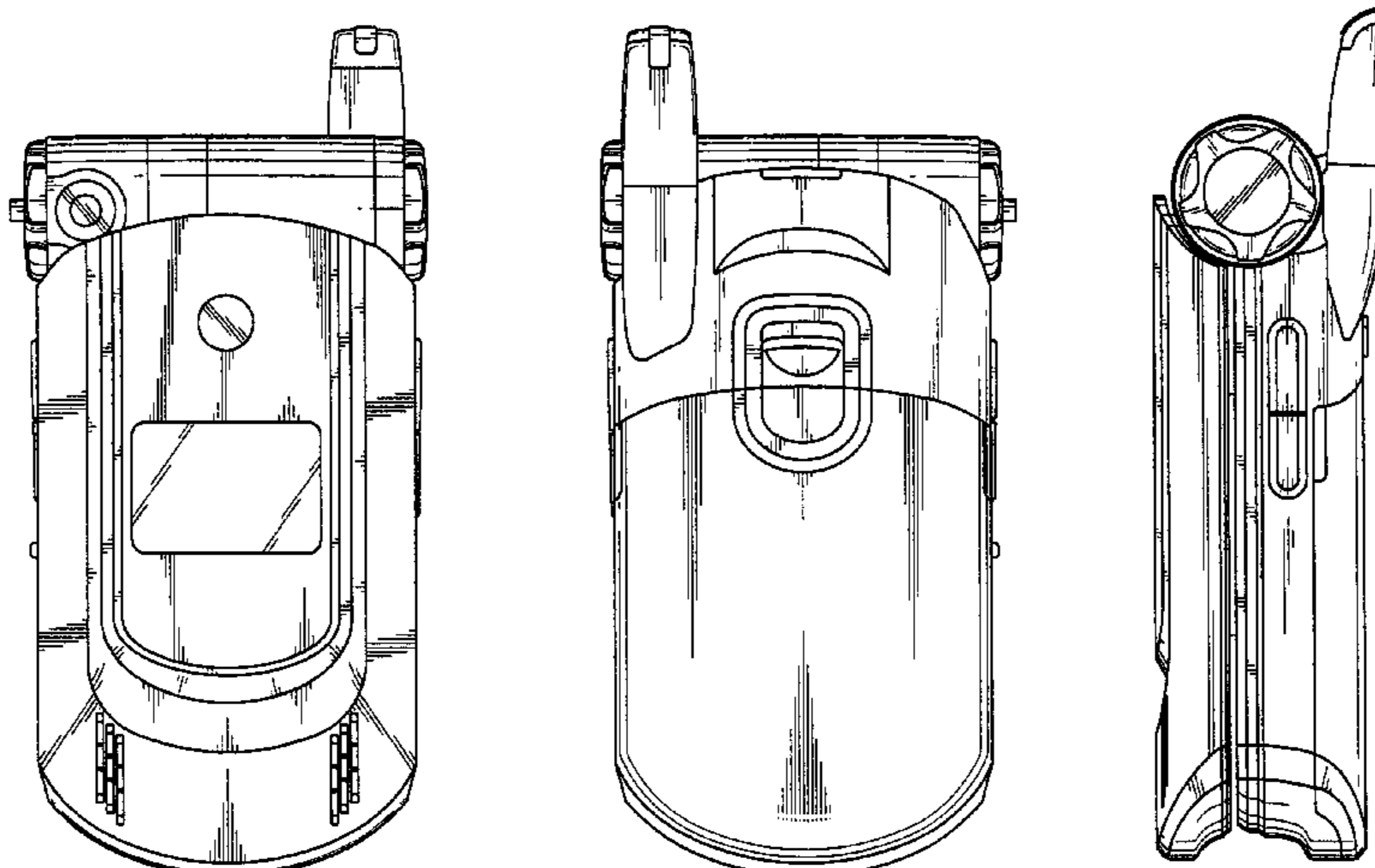
DESCRIPTION

FIG. 1. is a top front perspective view of a portable telephone showing our new design.
FIG. 2. is a front elevational view thereof.
FIG. 3. is a rear elevational view thereof.
FIG. 4. is a left side elevational view thereof.
FIG. 5. is a right side elevational view thereof.
FIG. 6. is a top plan view thereof; and,
FIG. 7. is a bottom plan view thereof.

1 Claim, 4 Drawing Sheets

(56) **References Cited**
U.S. PATENT DOCUMENTS

5,027,394 A * 6/1991 Ono et al. 379/434
5,428,350 A * 6/1995 Kurbart et al. 340/7.63
5,436,954 A * 7/1995 Nishiyama et al. 455/566
6,069,648 A * 5/2000 Suso et al. 348/14.02
D431,827 S * 10/2000 Yim D16/202
6,389,267 B1 * 5/2002 Imai 455/90.1
6,396,924 B1 * 5/2002 Suso et al. 379/433.13
D458,594 S * 6/2002 Jang D14/138
D477,293 S * 7/2003 Hwang D14/138
D484,862 S * 1/2004 Yang D14/138
D484,863 S * 1/2004 Chan D14/138
D485,249 S * 1/2004 Liao et al. D14/138
D485,818 S * 1/2004 Yabe et al. D14/138
D486,811 S * 2/2004 Lheem D14/138
D487,443 S * 3/2004 Yoon D14/138
D487,444 S * 3/2004 Yoon D14/138
D488,453 S * 4/2004 Chang et al. D14/138
D489,699 S * 5/2004 Hwang et al. D14/138
D490,389 S * 5/2004 Yang D14/138
D491,906 S * 6/2004 Okamatsu D14/138
D491,907 S * 6/2004 Ogawa D14/138



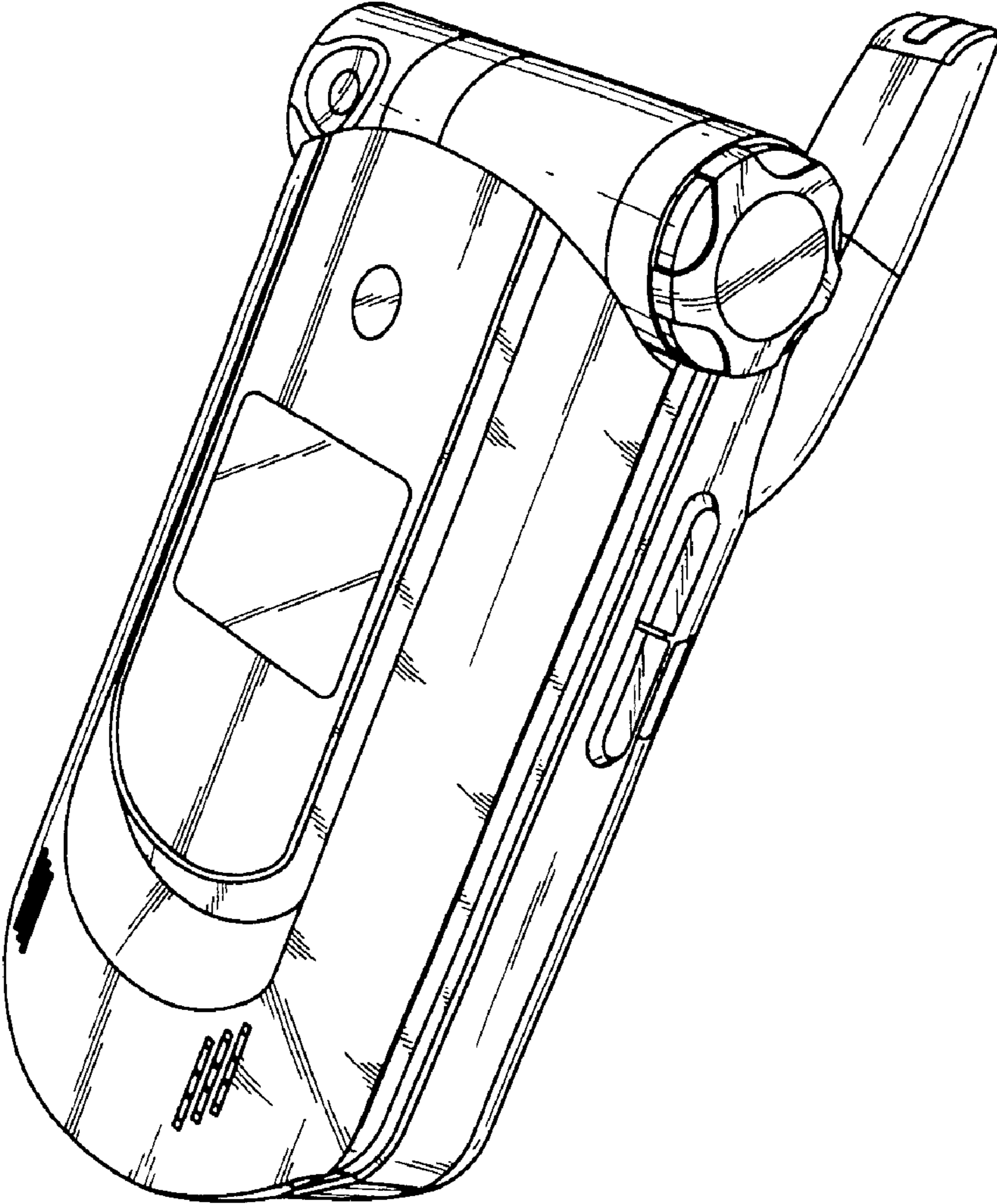


FIG. 1

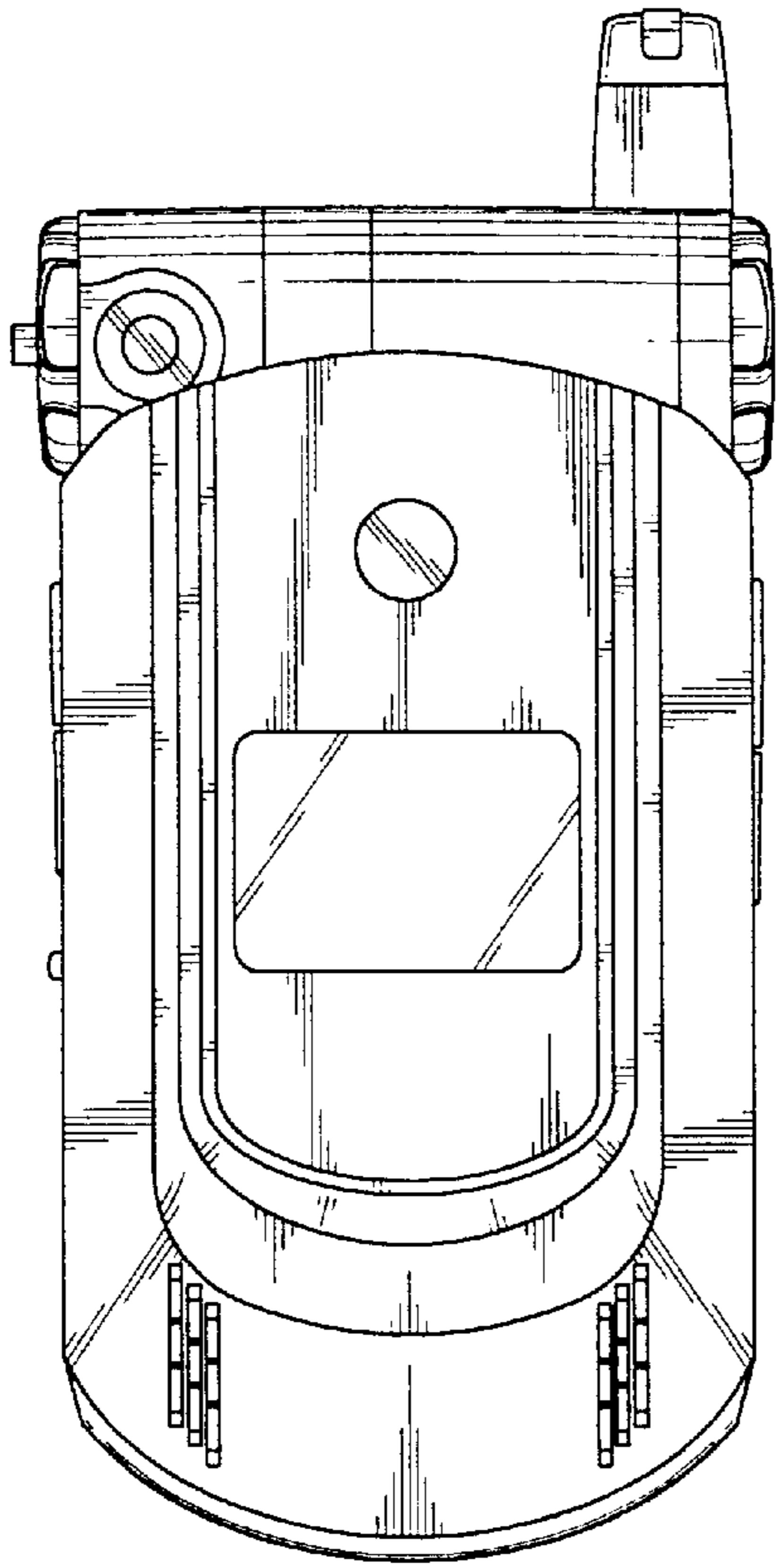


FIG. 2

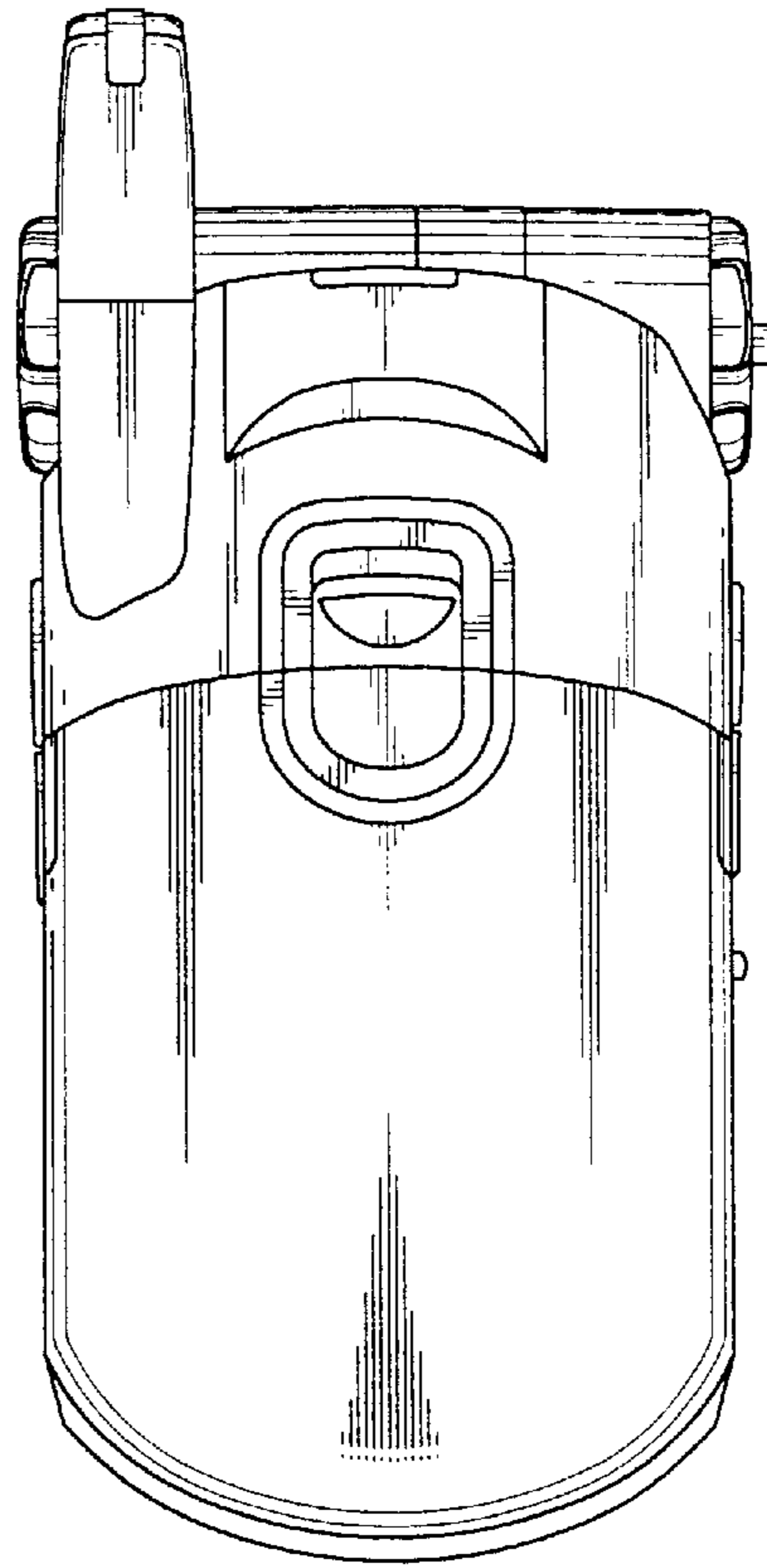


FIG. 3

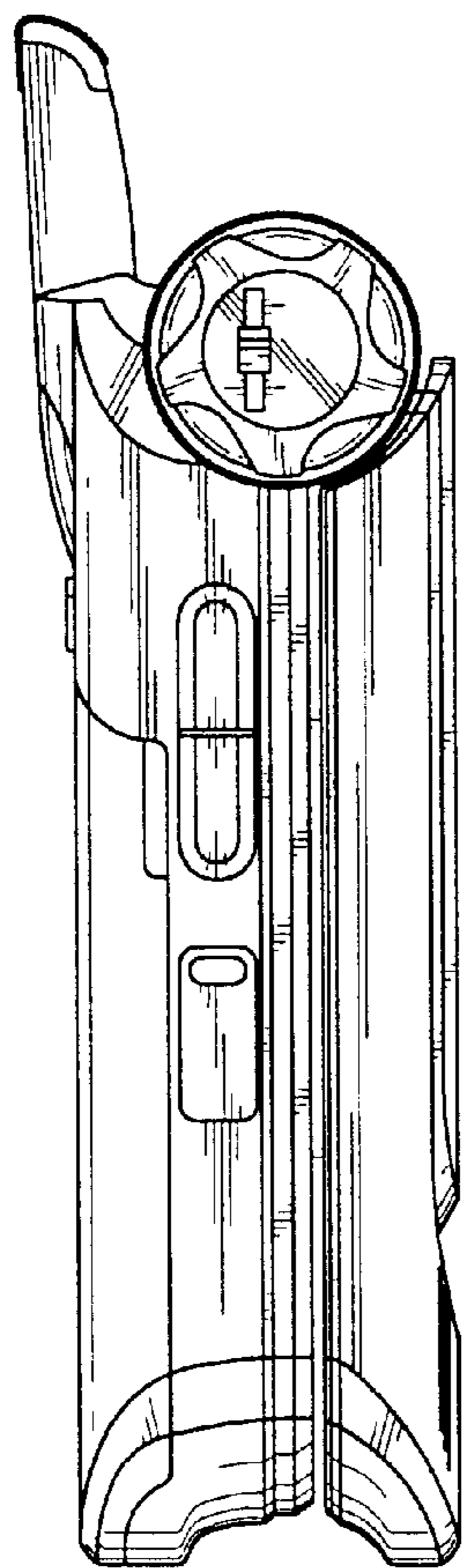


FIG. 4

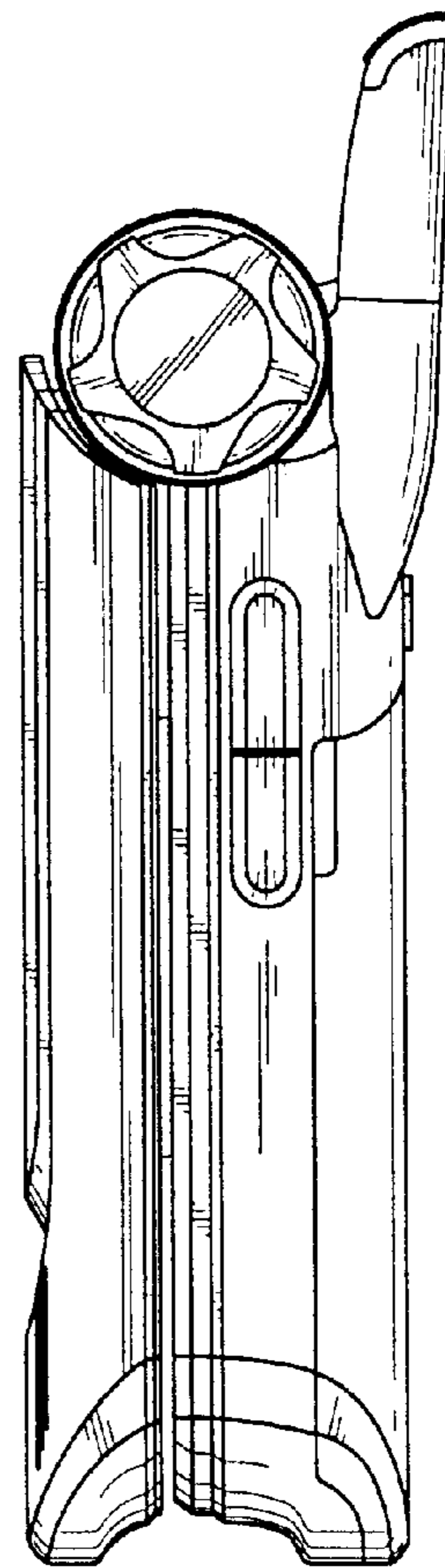


FIG. 5

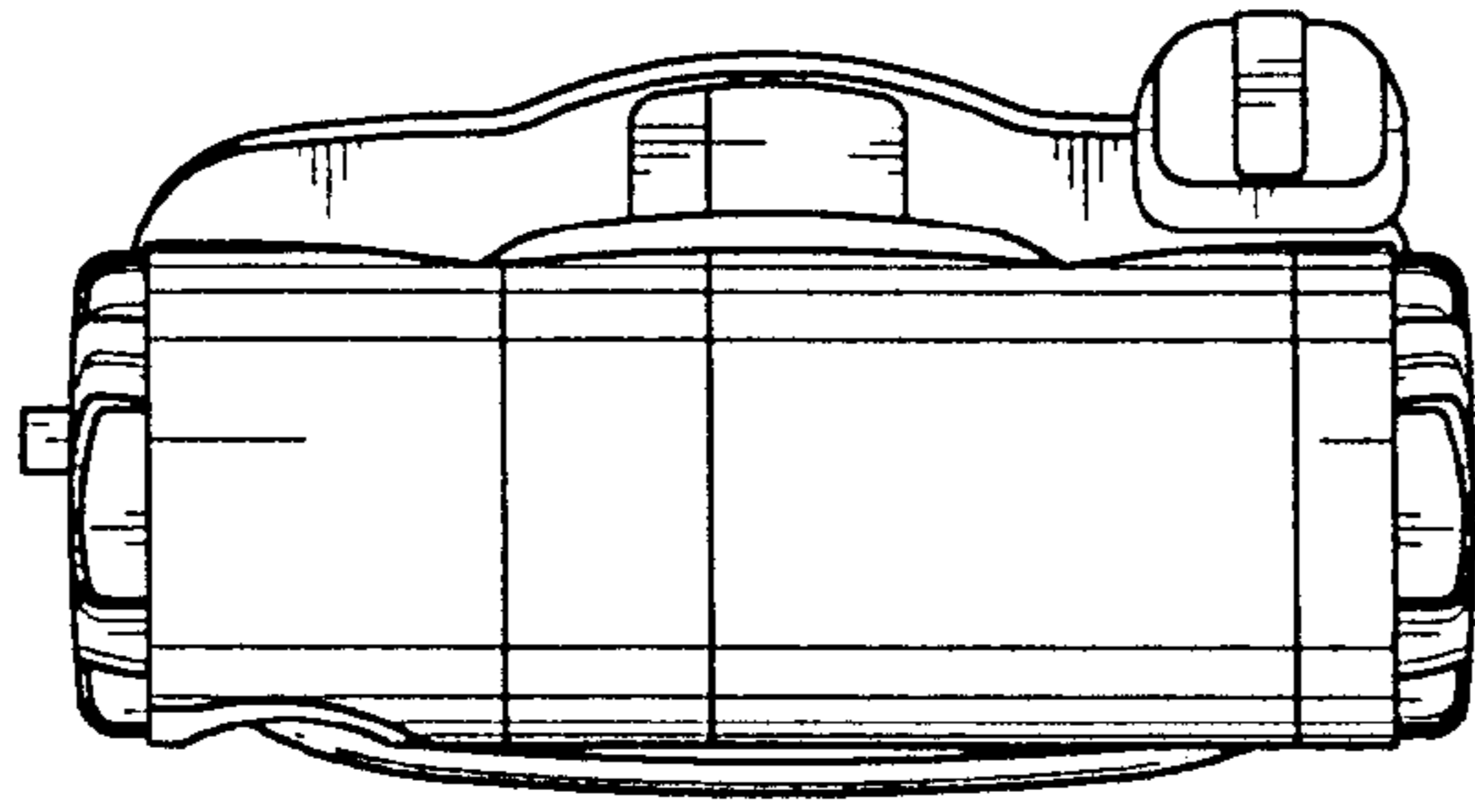


FIG. 6

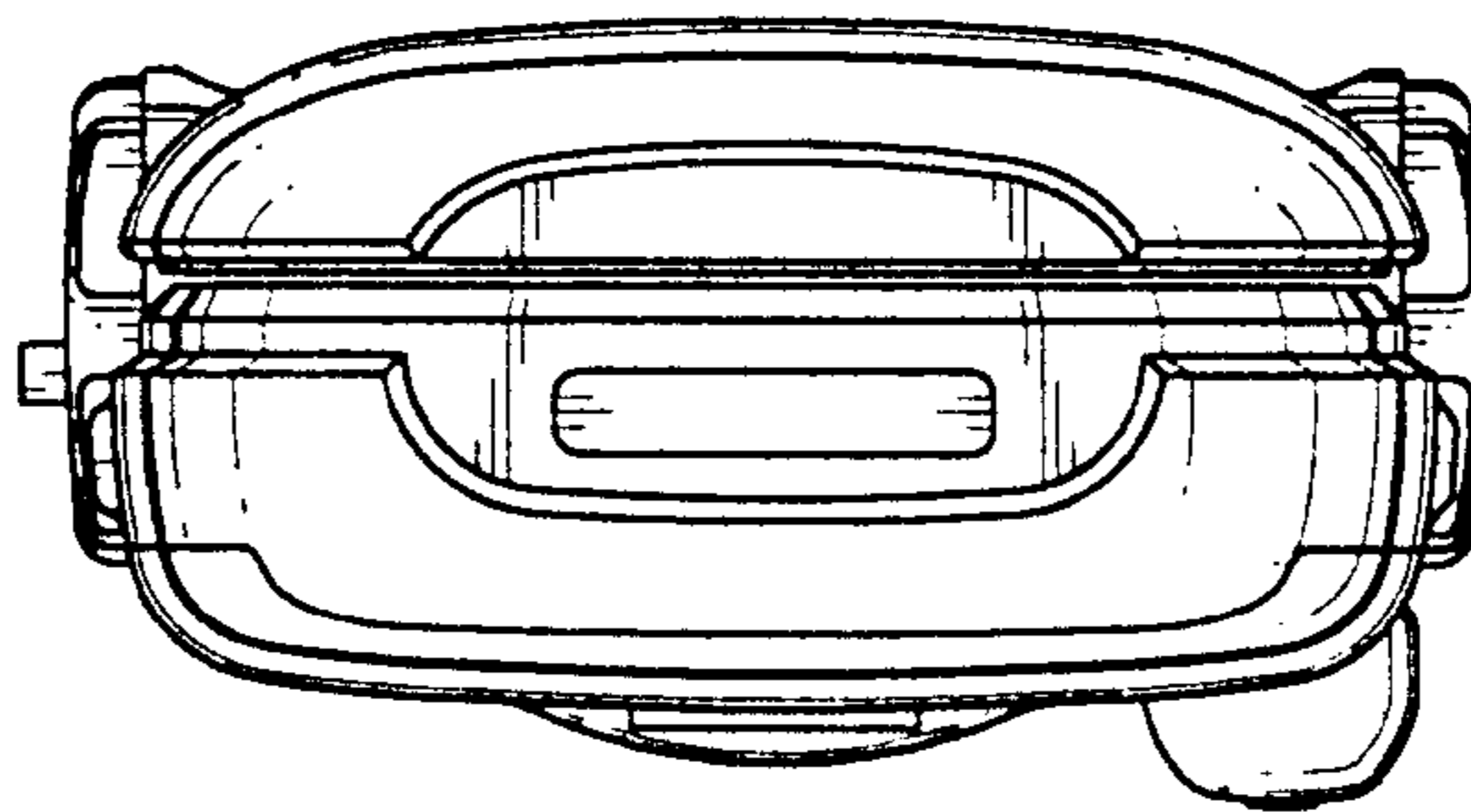


FIG. 7