

US00D508679S

(12) **United States Design Patent**
Li et al.

(10) **Patent No.:** **US D508,679 S**
(45) **Date of Patent:** **** Aug. 23, 2005**

(54) **ELECTRICAL CONNECTOR**

(75) Inventors: **Yu Li**, Tucheng (TW); **Gaohua Du**,
Tucheng (TW); **Li Jun Xu**, Tucheng
(TW)

(73) Assignee: **Cheng Uei Precision Industry Co.,
Ltd.**, Taipei (TW)

(**) Term: **14 Years**

(21) Appl. No.: **29/202,503**

(22) Filed: **Apr. 1, 2004**

(51) **LOC (8) Cl.** **13-03**

(52) **U.S. Cl.** **D13/147**

(58) **Field of Search** D13/147; 439/79,
439/108, 607-610

(56) **References Cited**

U.S. PATENT DOCUMENTS

5,938,473	A	*	8/1999	Nishio et al.	439/567
5,984,725	A	*	11/1999	Belopolsky et al.	439/607
5,993,258	A	*	11/1999	Matsunuma et al.	439/607
6,007,382	A	*	12/1999	Wu	439/607
D427,975	S	*	7/2000	Zhu et al.	D13/147

D432,992	S	*	10/2000	Lok	D13/147
6,183,300	B1	*	2/2001	Belopolsky et al.	439/607
D446,773	S	*	8/2001	Yao et al.	D13/147
D465,767	S	*	11/2002	Zhu et al.	D13/147

* cited by examiner

Primary Examiner—Stella Reid
Assistant Examiner—Selina Sikder

(74) *Attorney, Agent, or Firm*—Rosenberg, Klein & Lee

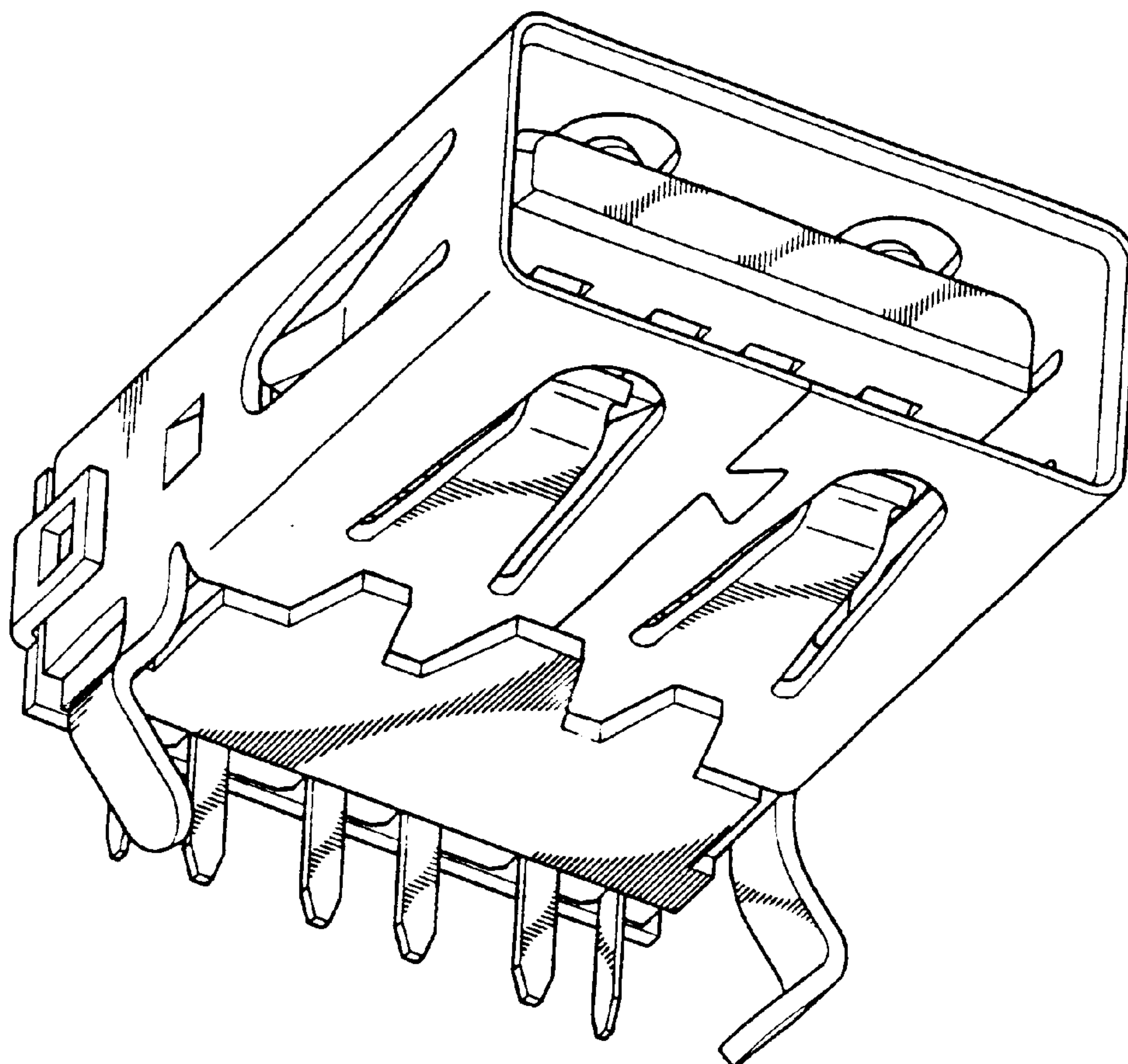
(57) **CLAIM**

The ornamental design for an electrical connector, as shown and described.

DESCRIPTION

FIG. 1 is a perspective view of an electrical connector showing the new design;
FIG. 2 is a front elevational view thereof;
FIG. 3 is a rear elevational view thereof;
FIG. 4 is a left side elevational view thereof;
FIG. 5 is a right side elevational view thereof;
FIG. 6 is a top plan view thereof;
FIG. 7 is a bottom plan view thereof; and,
FIG. 8 is a perspective view of an electrical connector showing the new design.

1 Claim, 8 Drawing Sheets



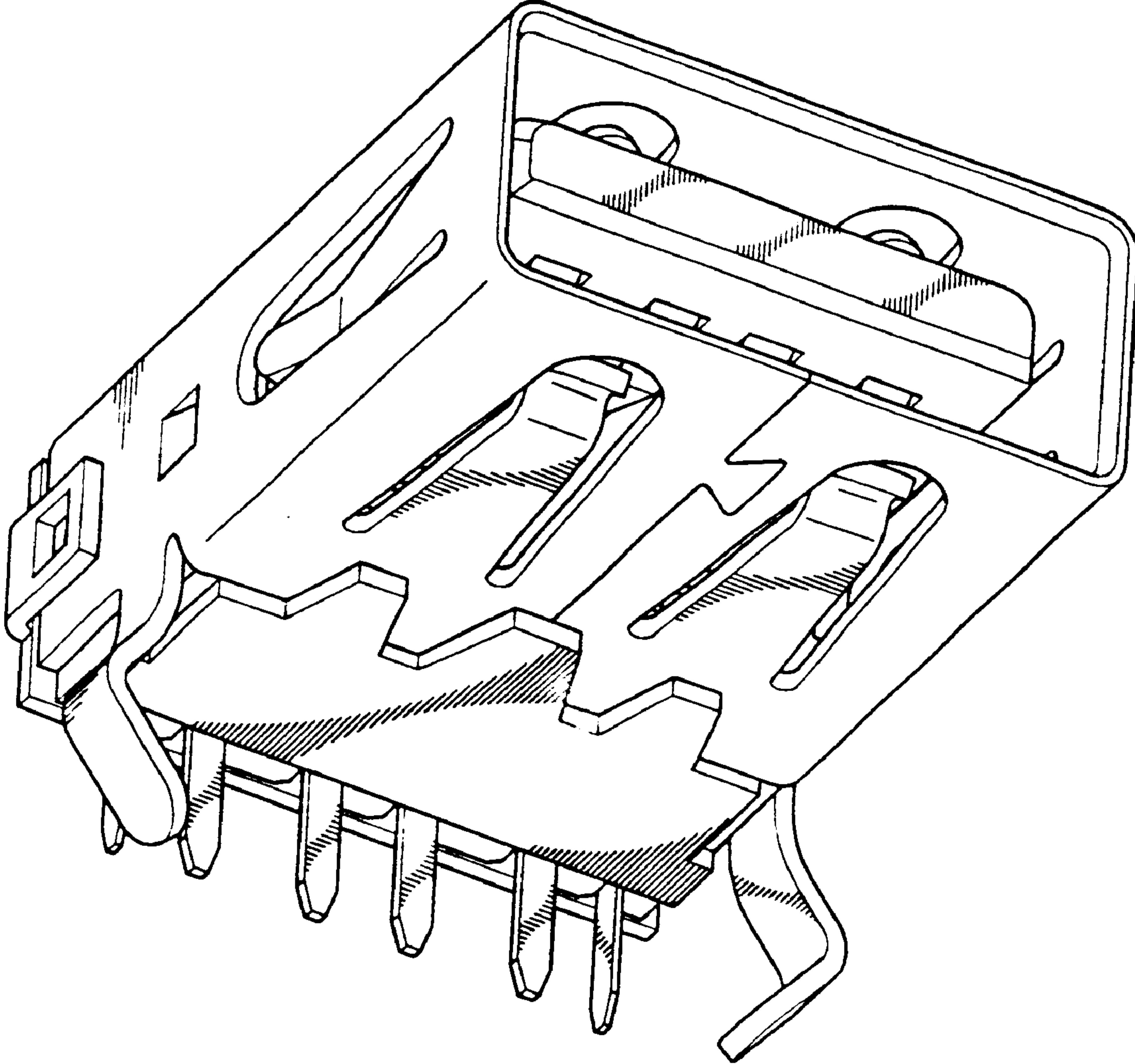


FIG. 1

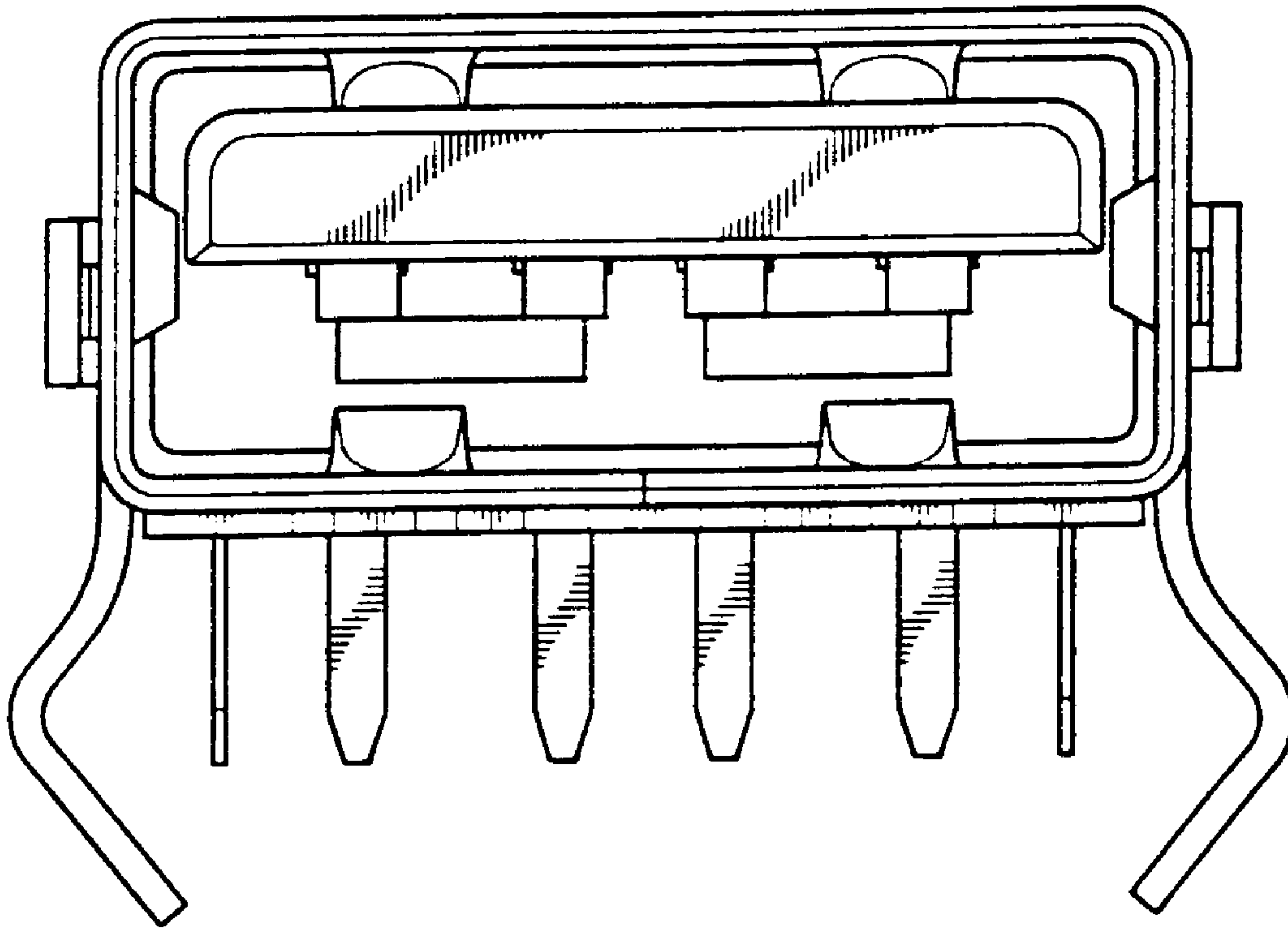


FIG. 2

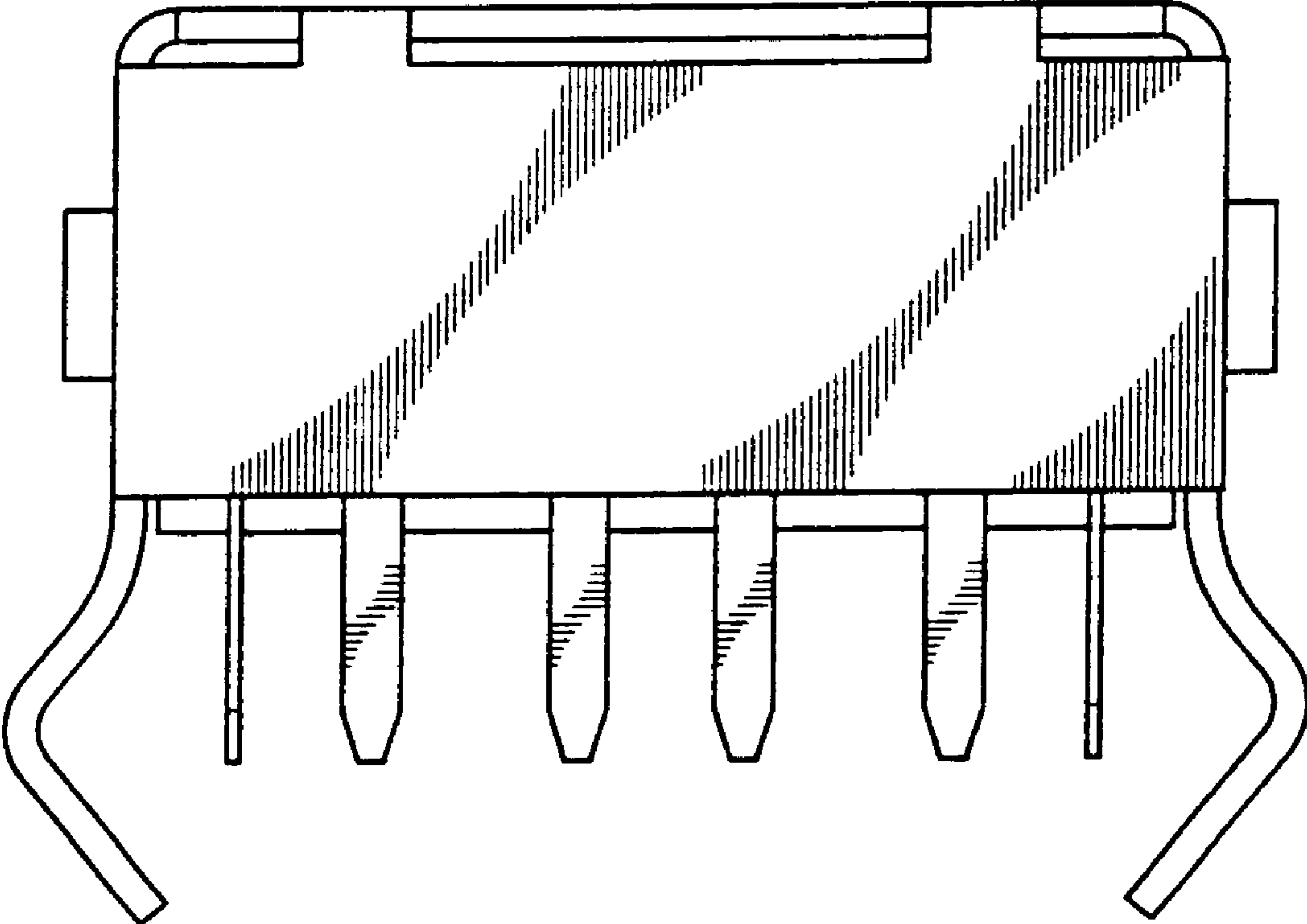


FIG. 3

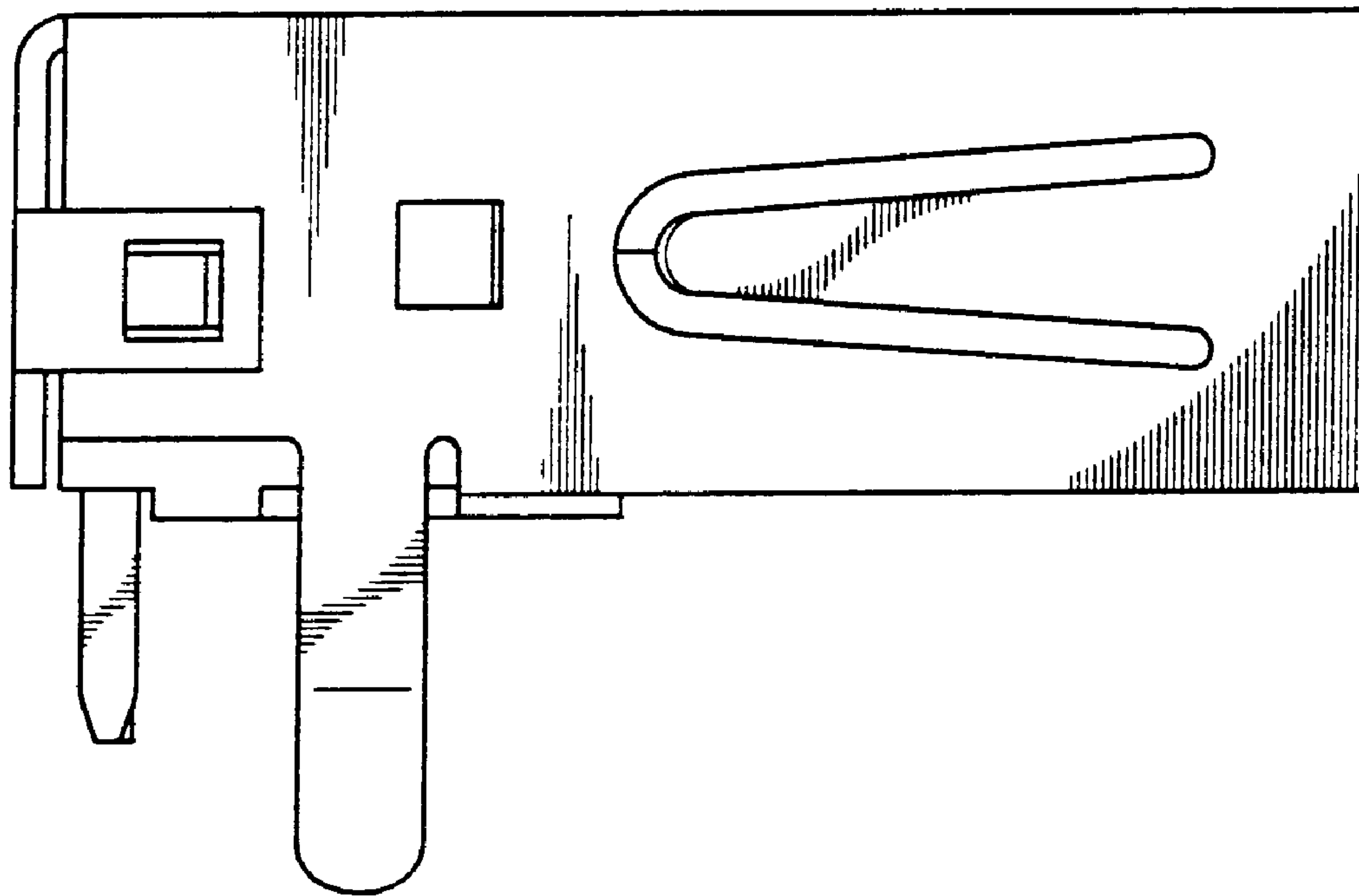


FIG. 4

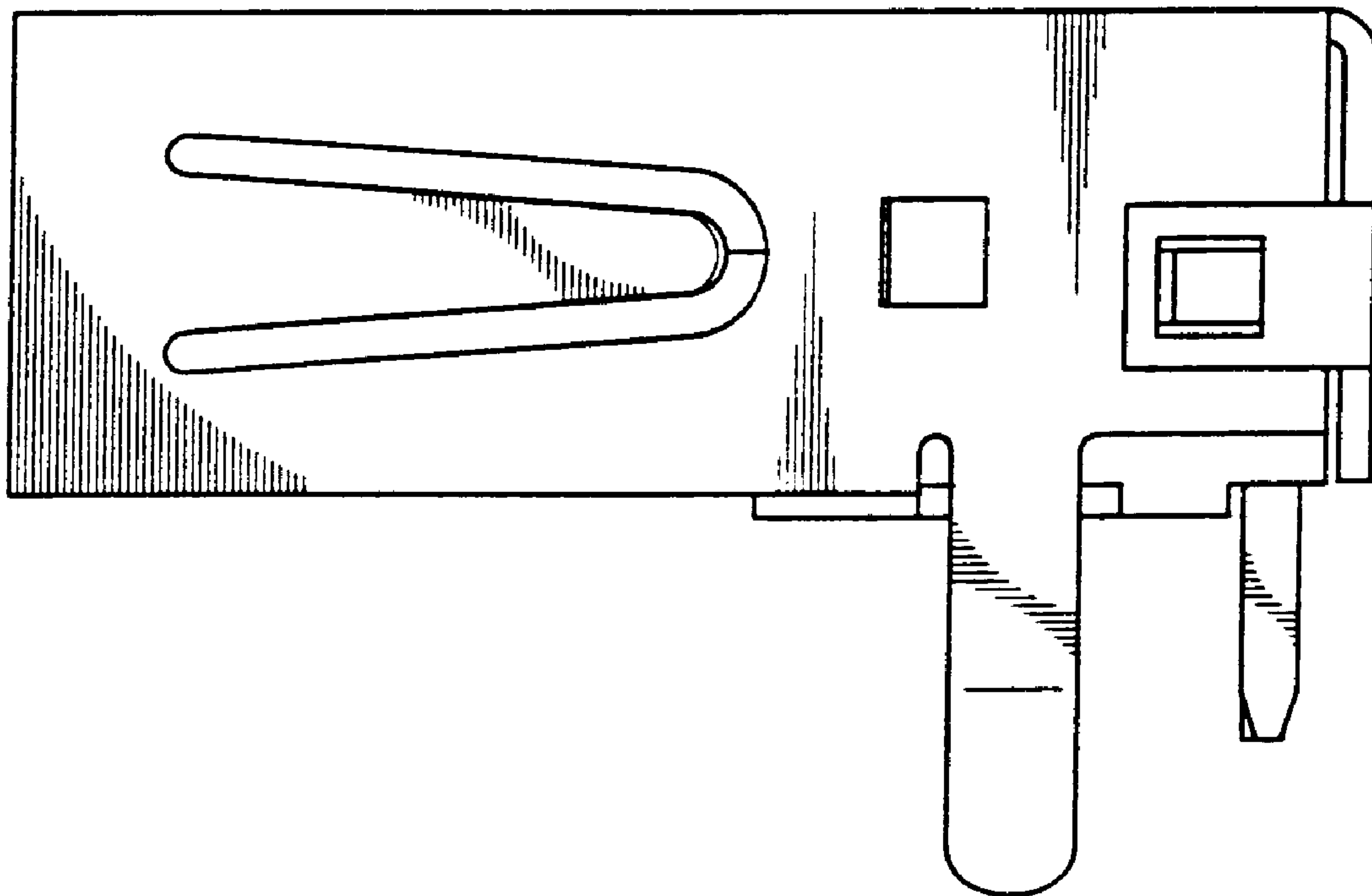


FIG. 5

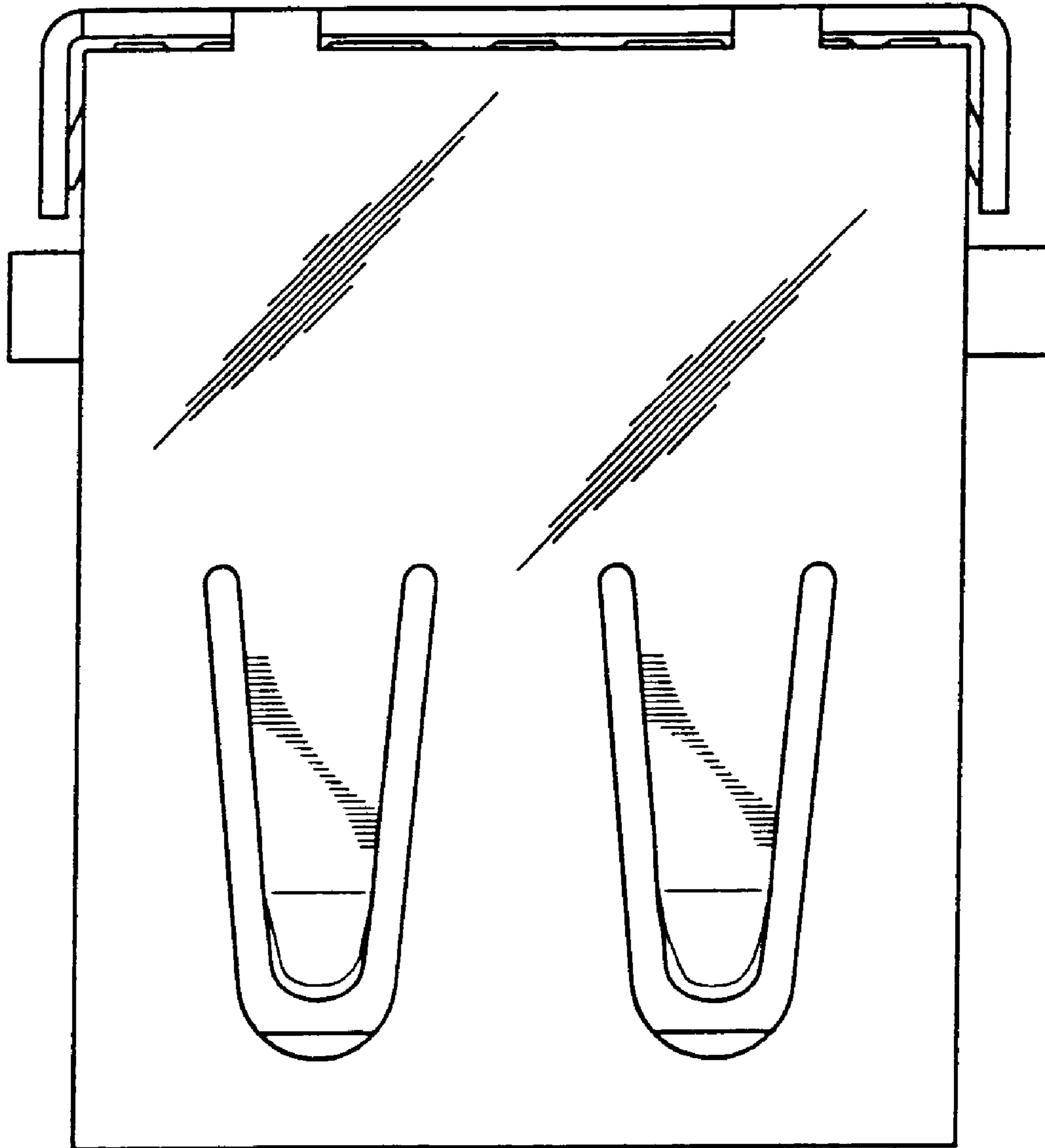


FIG. 6

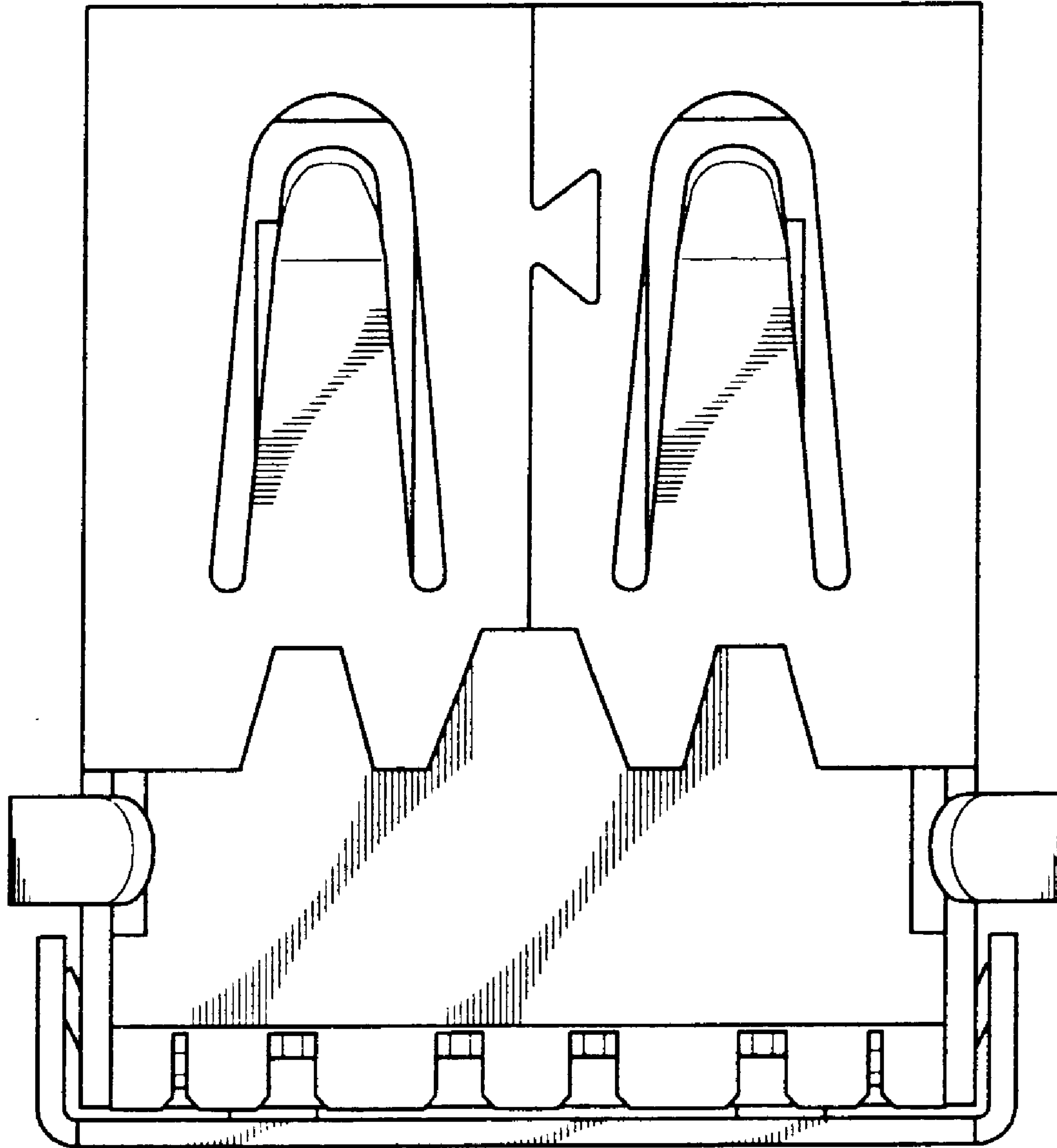


FIG. 7

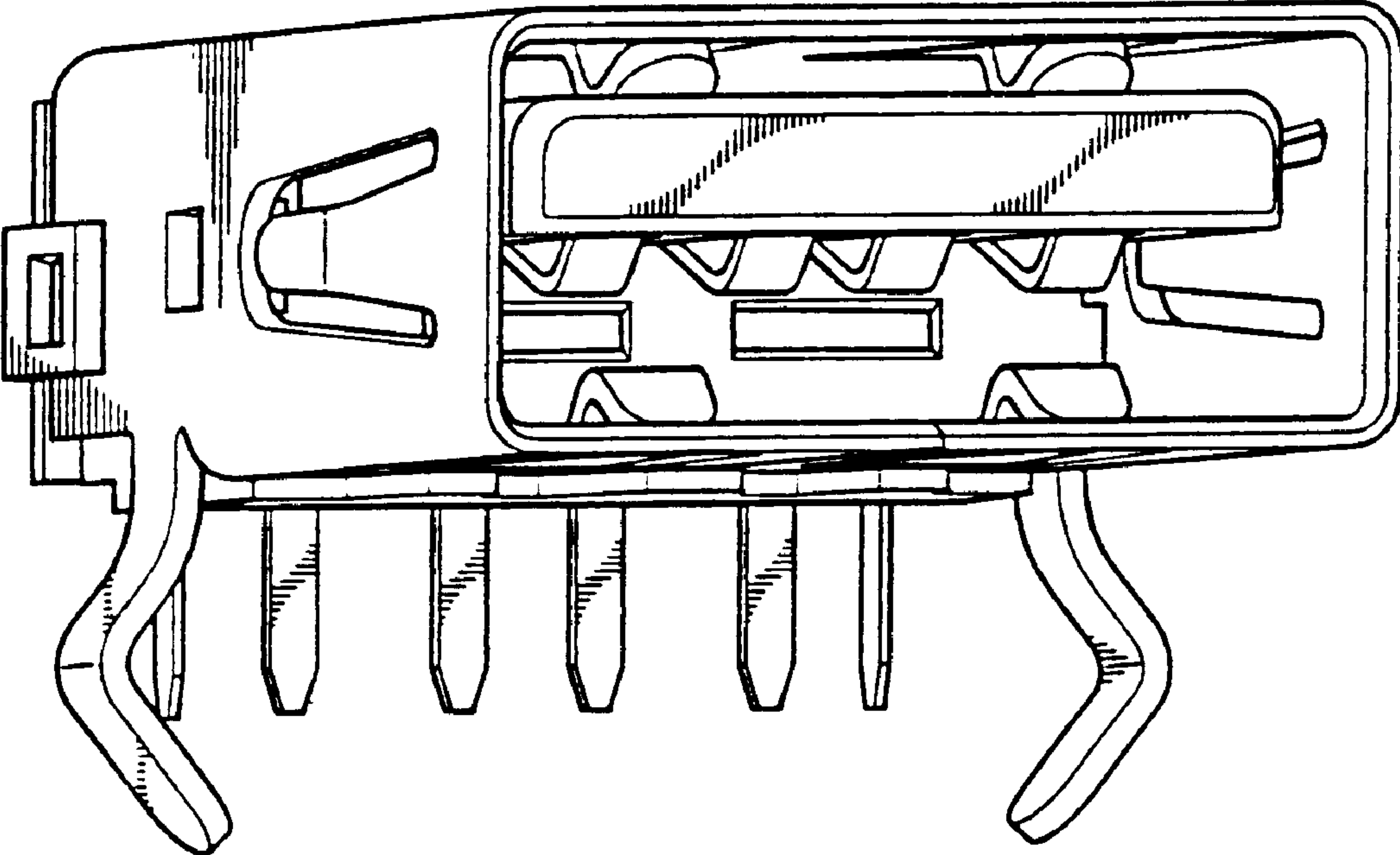


FIG. 8