



US00D508677S

(12) **United States Design Patent**
Chau et al.

(10) **Patent No.: US D508,677 S**

(45) **Date of Patent: ** Aug. 23, 2005**

(54) **FOUR POSITION POWER CONNECTOR**

(75) Inventors: **Danny K. Chau**, Fremont, CA (US);
Robert H. Thein, Fremont, CA (US)

(73) Assignee: **Tyco Electronics Corporation**,
Middletown, PA (US)

(**) Term: **14 Years**

(21) Appl. No.: **29/200,163**

(22) Filed: **Feb. 24, 2004**

(51) **LOC (8) Cl. 13-03**

(52) **U.S. Cl. D13/146; D13/147**

(58) **Field of Search** D13/123, 133,
D13/146-147, 154, 184, 199; 439/79, 62,
210-211, 216, 225, 252, 378-381, 891,
894, 476.1

(56) **References Cited**

U.S. PATENT DOCUMENTS

4,711,509 A	*	12/1987	Cross et al.	439/587
4,806,123 A	*	2/1989	Konishi et al.	439/595
D311,375 S	*	10/1990	Kuzuno et al.	D13/147
D323,154 S	*	1/1992	Ohkura et al.	D13/147
D326,084 S	*	5/1992	Nagasaka et al.	D13/147

D326,643 S	*	6/1992	Ohkura et al.	D13/147
D336,283 S	*	6/1993	Ohkura et al.	D13/147
D362,231 S	*	9/1995	Chen	D13/147
6,022,238 A	*	2/2000	Tomita et al.	439/352
D452,849 S	*	1/2002	Ushio et al.	D13/147
D472,524 S	*	4/2003	Yamawaki et al.	D13/147

* cited by examiner

Primary Examiner—Stella Reid
Assistant Examiner—Daniel Bui

(57) **CLAIM**

We claim the ornamental design for a four position power connector, as shown and described.

DESCRIPTION

FIG. 1 is a top, front and left perspective view of a four position power connector, showing our new design; FIG. 2 is a bottom, rear and right perspective view thereof; FIG. 3 is a top plan view thereof; FIG. 4 is a bottom plan view thereof; FIG. 5 is a front elevation view thereof; FIG. 6 is a rear elevation view thereof; FIG. 7 is a left side elevation view thereof; and, FIG. 8 is a right side elevation view thereof.

1 Claim, 3 Drawing Sheets

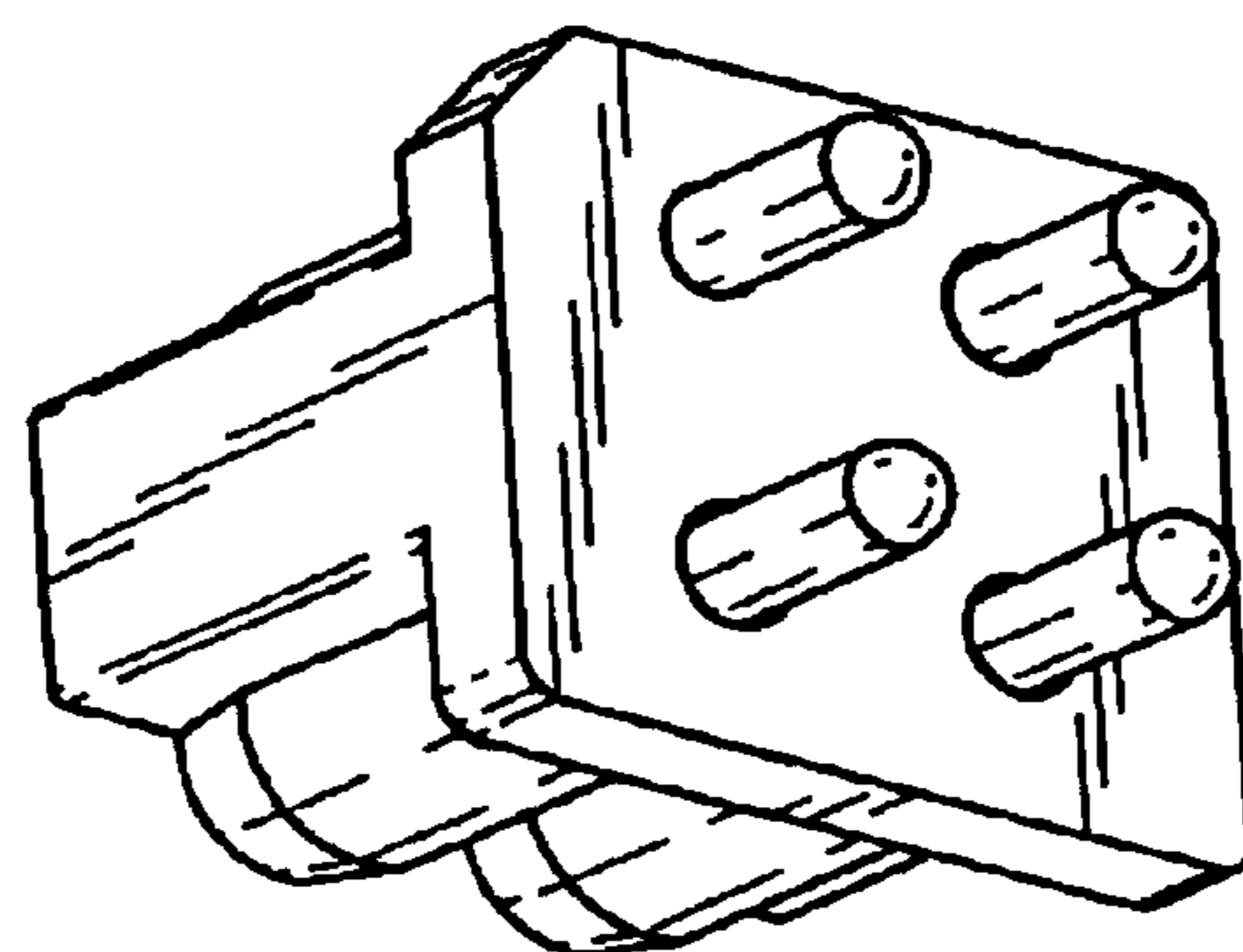
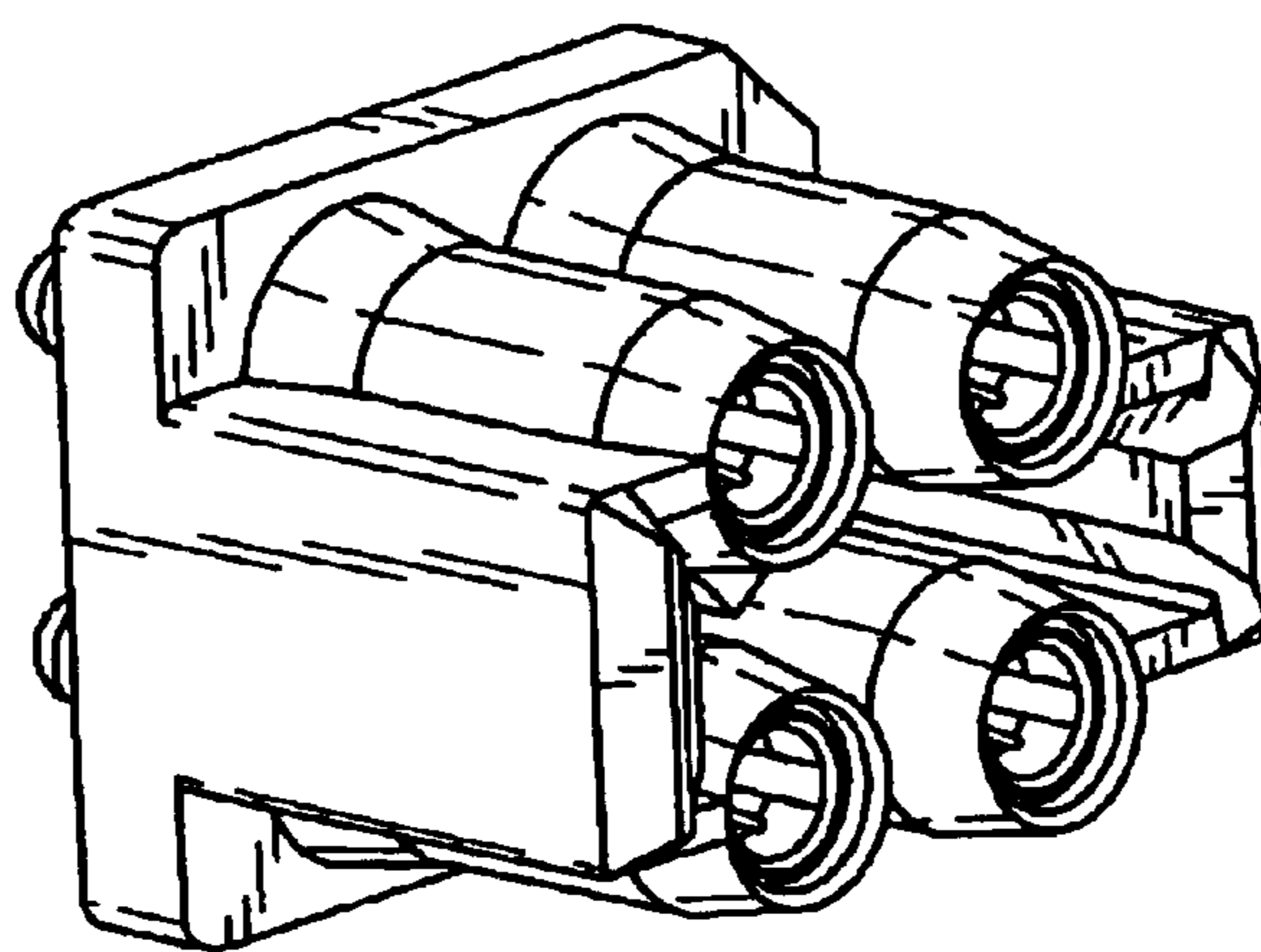


FIG. 1

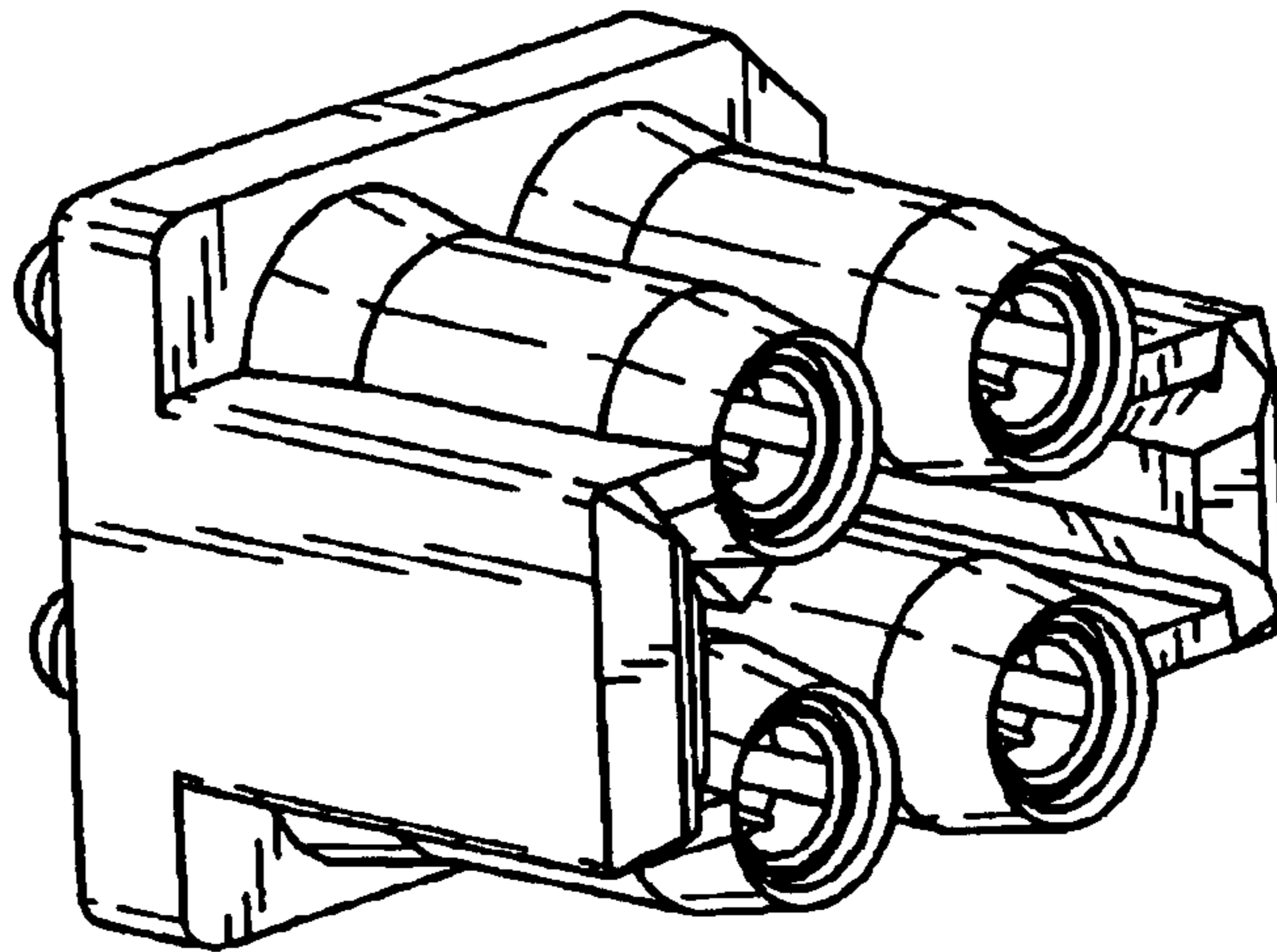


FIG. 2

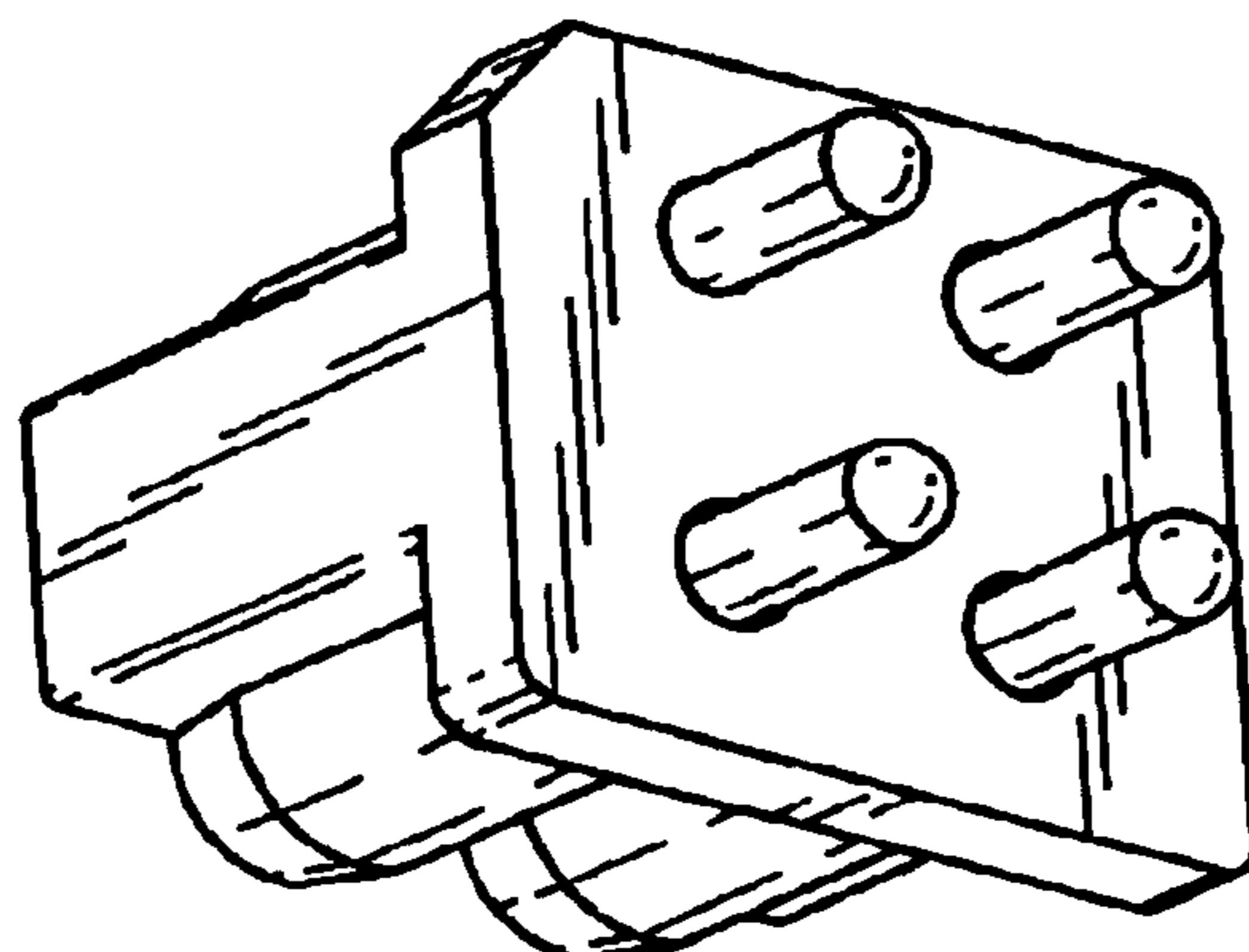


FIG. 3

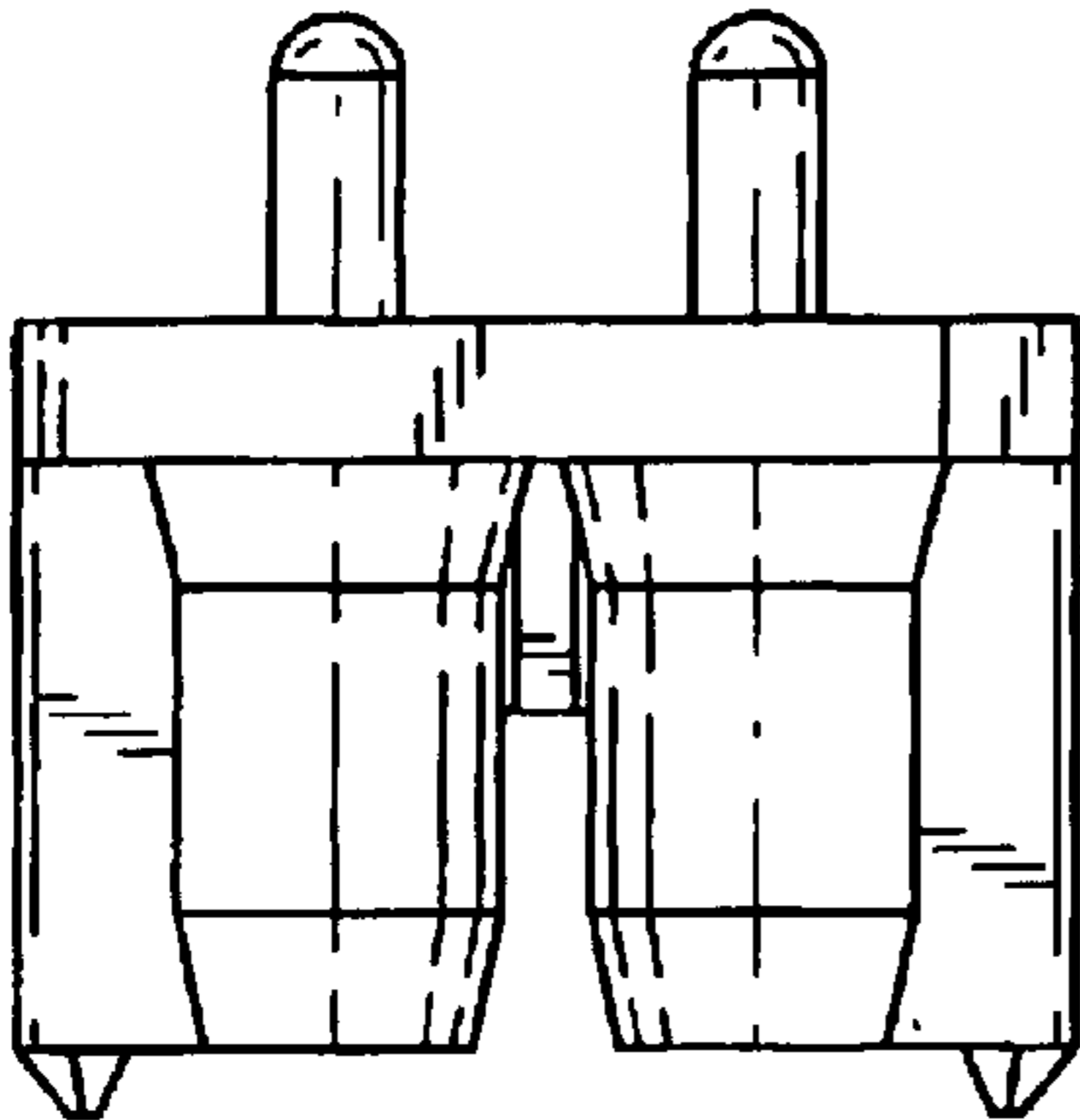


FIG. 4

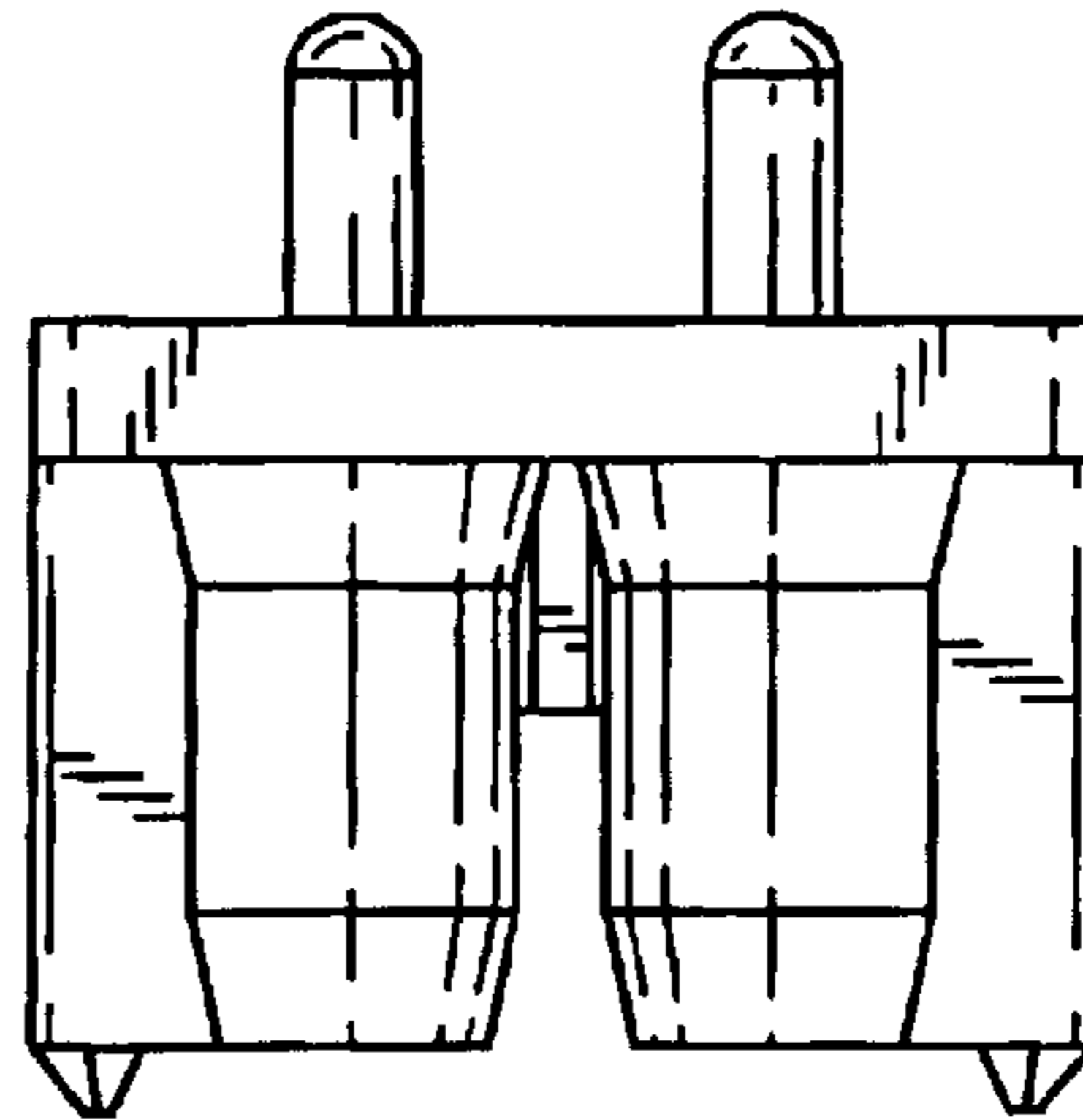


FIG. 5

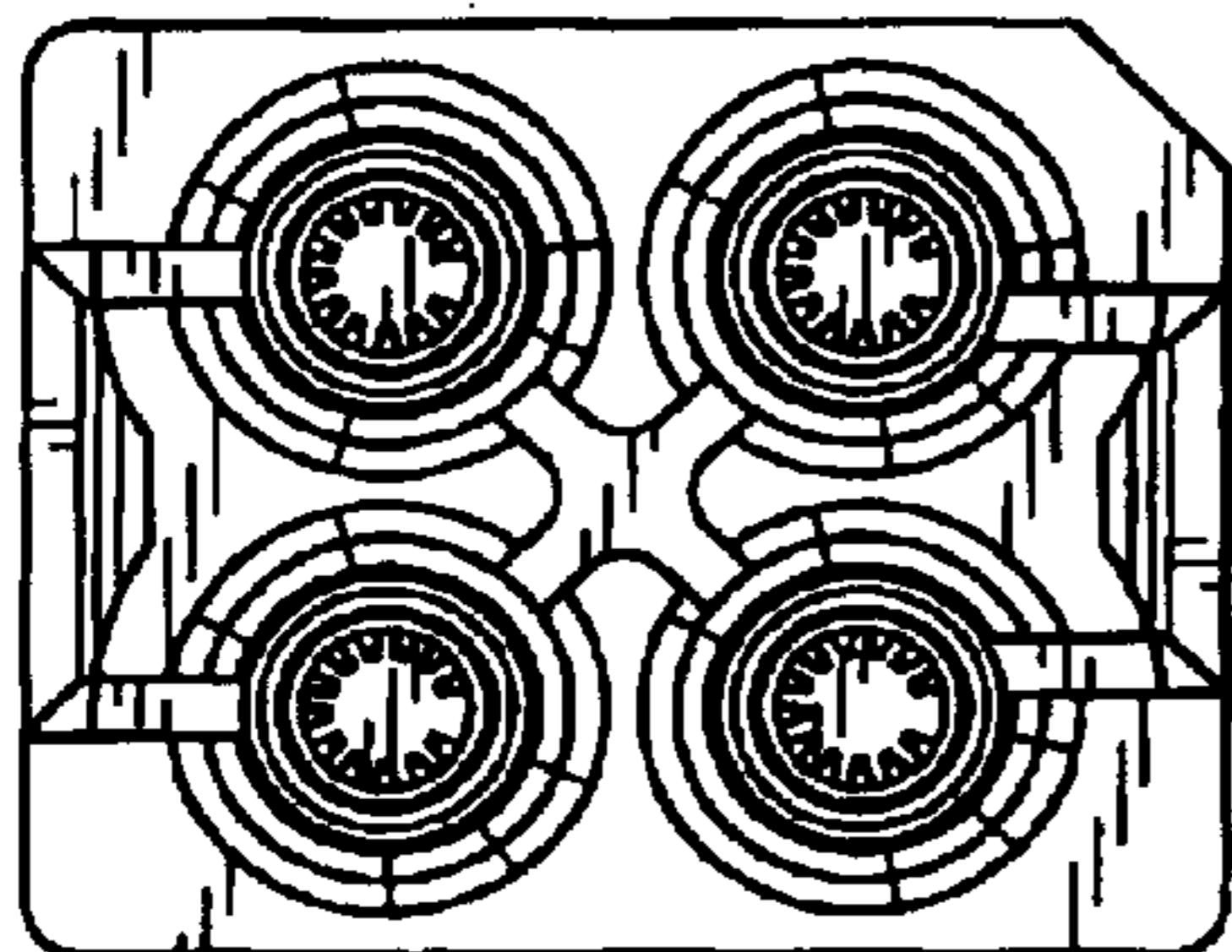


FIG. 6

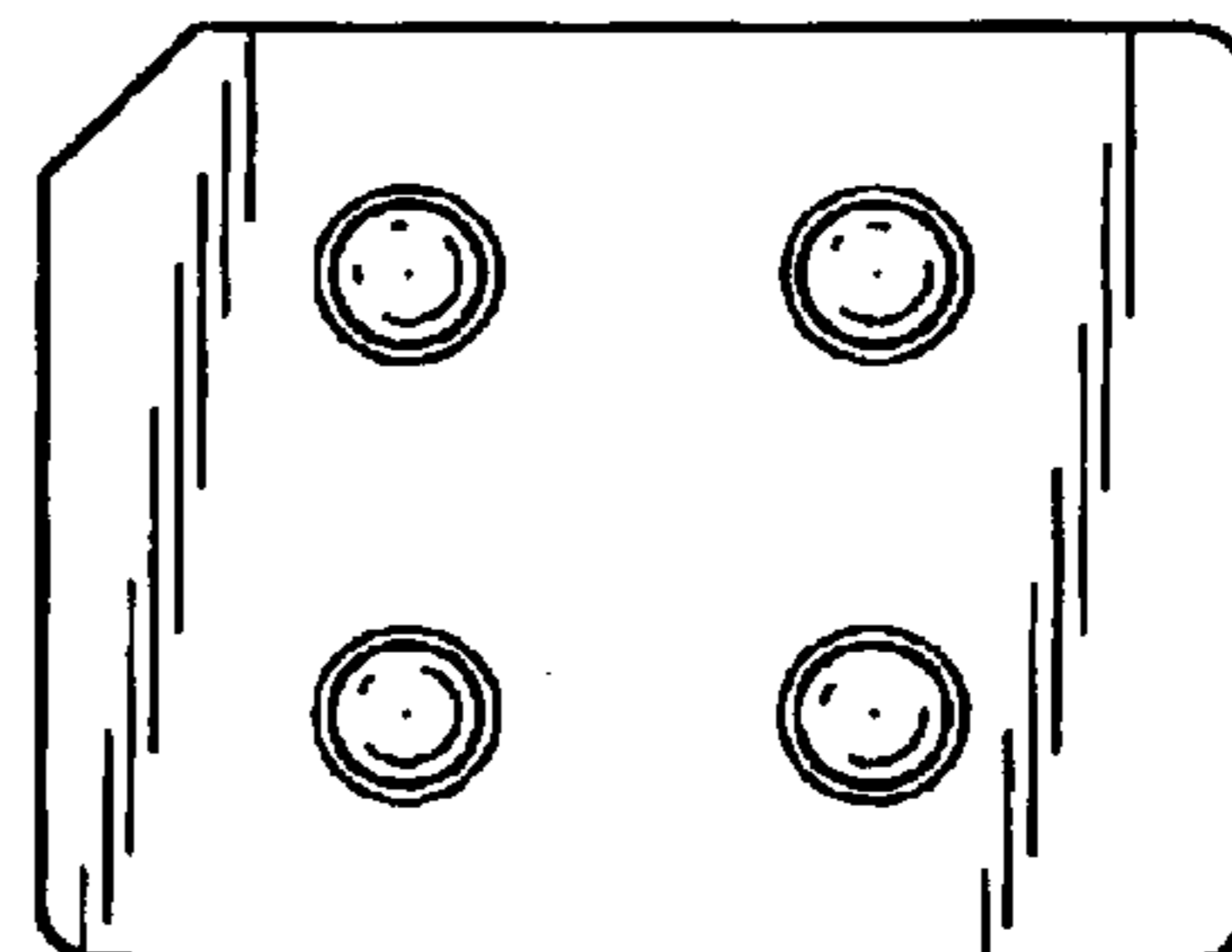


FIG. 7

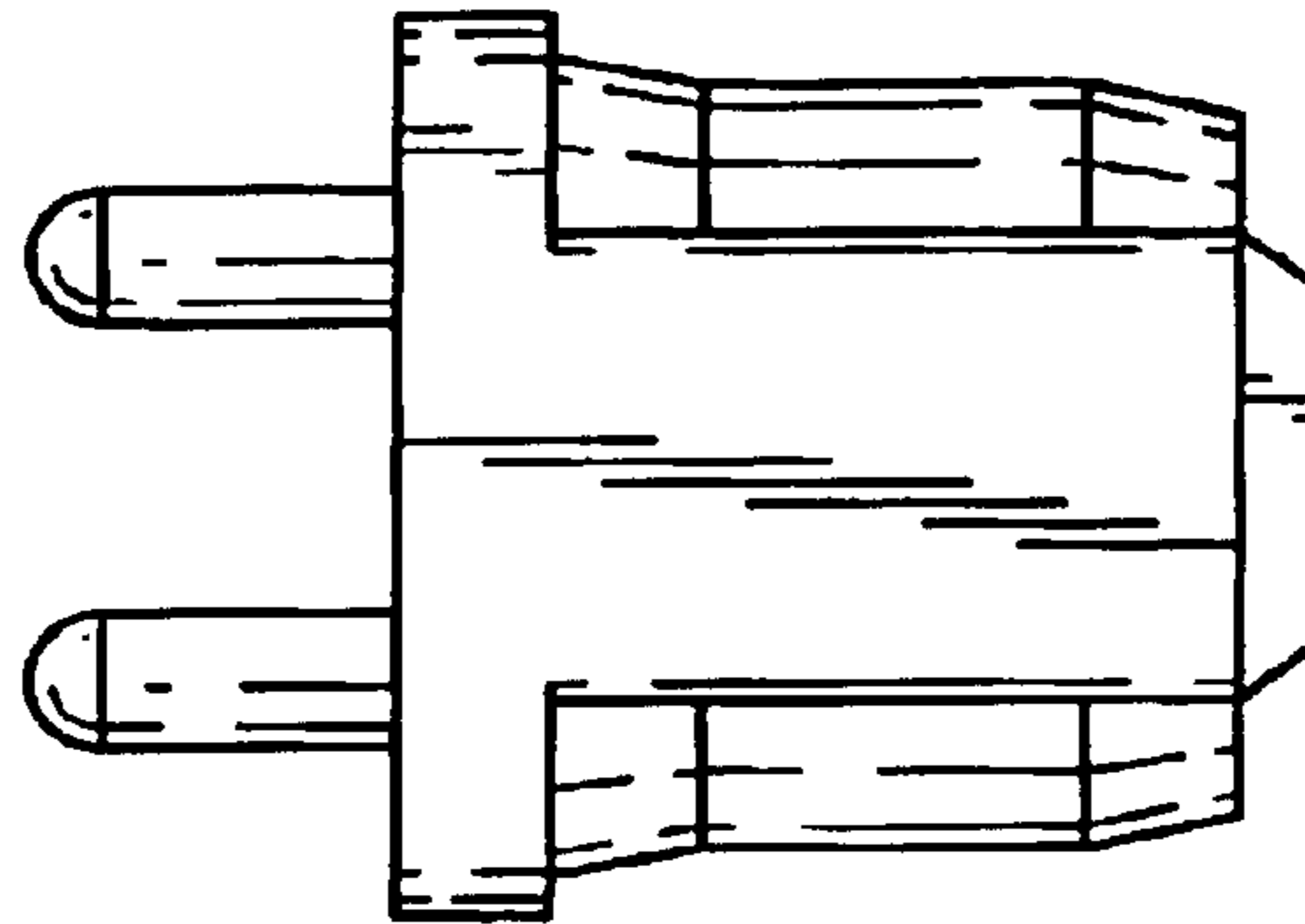


FIG. 8

