



US00D508672S

(12) **United States Design Patent**
Fraser et al.

(10) **Patent No.:** **US D508,672 S**

(45) **Date of Patent:** **** Aug. 23, 2005**

(54) **POP-UP CUPHOLDER**

(75) Inventors: **Jason Fraser**, Waterloo (CA); **Marian Ticu**, Kitchener (CA); **Joe D'Angelo**, Cambridge (CA)

(73) Assignee: **Ultra Manufacturing Limited**, Kitchener (CA)

(**) Term: **14 Years**

(21) Appl. No.: **29/220,717**

(22) Filed: **Jan. 6, 2005**

(51) **LOC (8) Cl.** **12-16**

(52) **U.S. Cl.** **D12/419**

(58) **Field of Search** D12/415, 419-425;
224/42.11, 400, 539-543, 926-928, 536,
548, 275, 282; 296/37.1-37.8, 37.12, 37.16,
37.14, 37.15; 248/311.2

(56) **References Cited**

U.S. PATENT DOCUMENTS

5,297,767	A	*	3/1994	Miller et al.	248/311.2
D362,837	S	*	10/1995	Mankey et al.	D12/419
D368,889	S	*	4/1996	Mankey et al.	D12/419
D413,563	S	*	9/1999	Gravenstreter	D12/419
6,203,088	B1	*	3/2001	Fernandez et al.	296/37.8
D456,760	S	*	5/2002	Hoy	D12/419
D461,161	S	*	8/2002	Hoy	D12/419

6,695,271	B2	*	2/2004	Bieck et al.	248/311.2
6,722,540	B2	*	4/2004	Ling	224/275
D490,044	S	*	5/2004	Smith	D12/419
6,779,769	B1	*	8/2004	York et al.	248/311.2
D500,982	S	*	1/2005	Smith	D12/419
6,854,779	B2	*	2/2005	Gehring et al.	296/37.12

* cited by examiner

Primary Examiner—Stacia Cadmus

(57) **CLAIM**

The ornamental design for a pop-up cupholder, as shown and described.

DESCRIPTION

FIG. 1 is a perspective view of a right side, a front side, and a top side of the pop-up cupholder showing the cupholder assembly in the open position;

FIG. 2 is a perspective view of a left side, the front side, and a bottom side thereof;

FIG. 3 is a view of the right side thereof;

FIG. 4 is a view of the front side thereof;

FIG. 5 is a view of the rear side thereof;

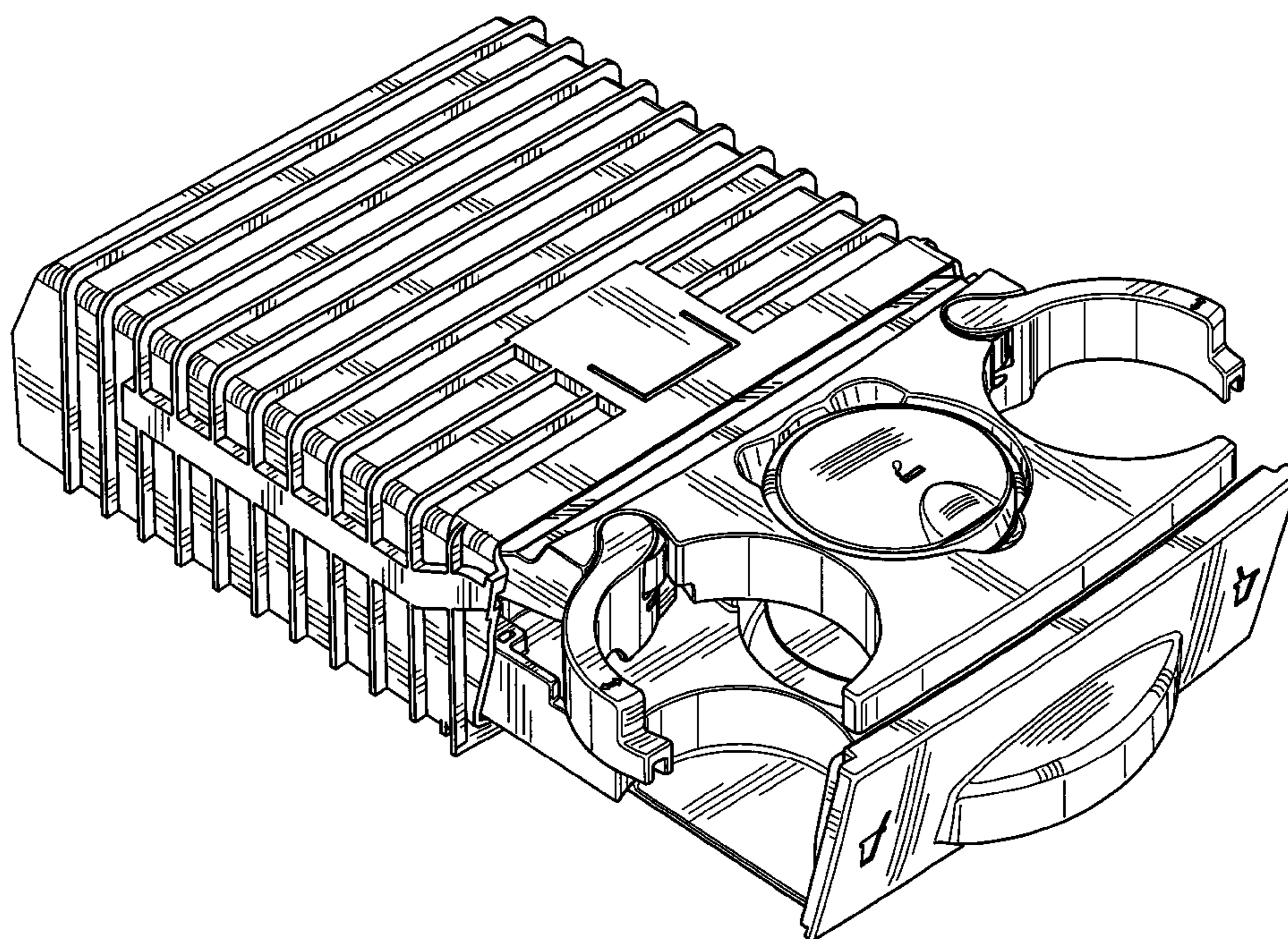
FIG. 6 is a top view thereof;

FIG. 7 is a bottom view thereof; and,

FIG. 8 is a perspective view of the subject invention with the cupholder assembly in the closed position.

The left side is the mirror image of the right side.

1 Claim, 7 Drawing Sheets



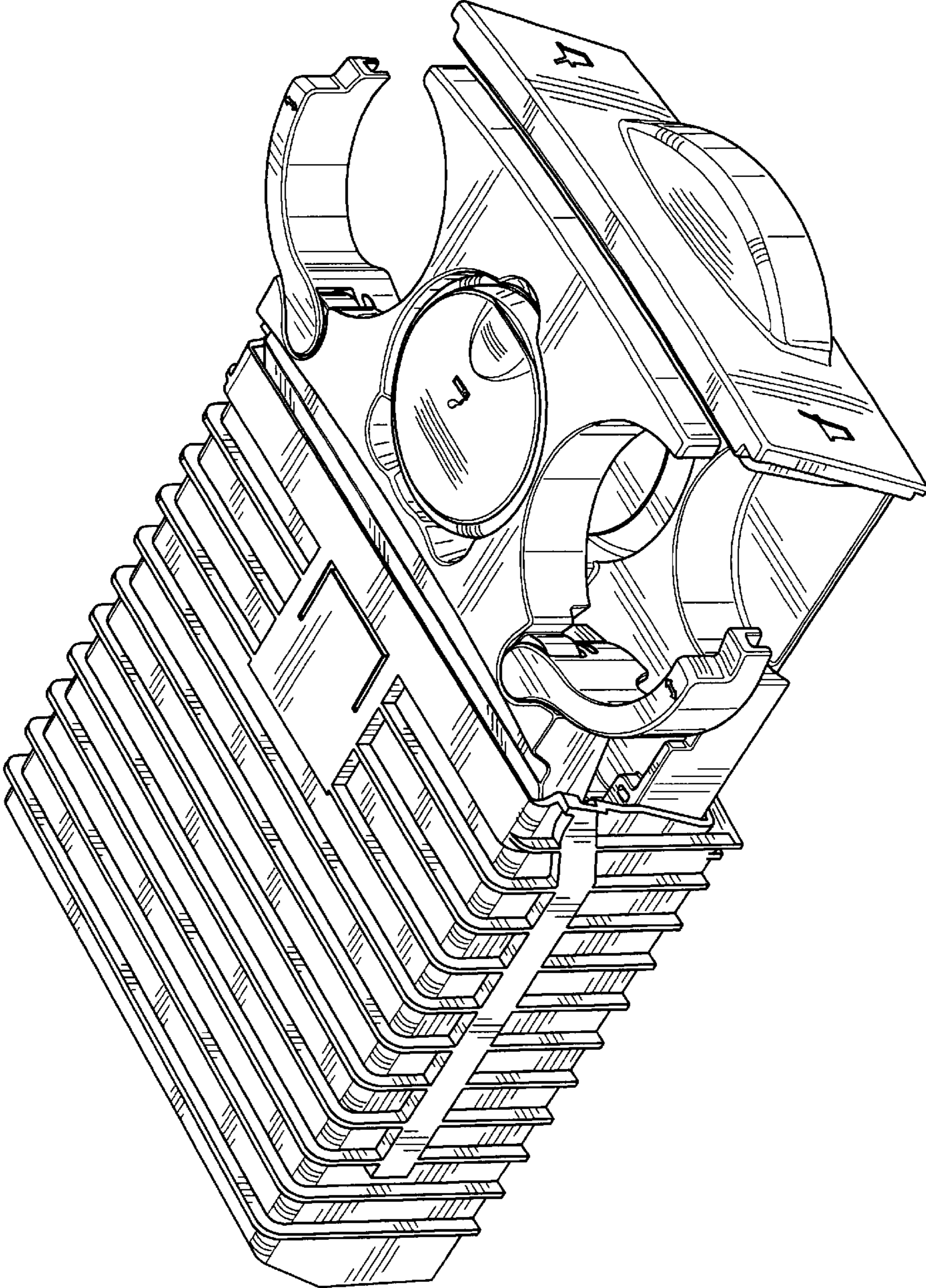


FIG. 1

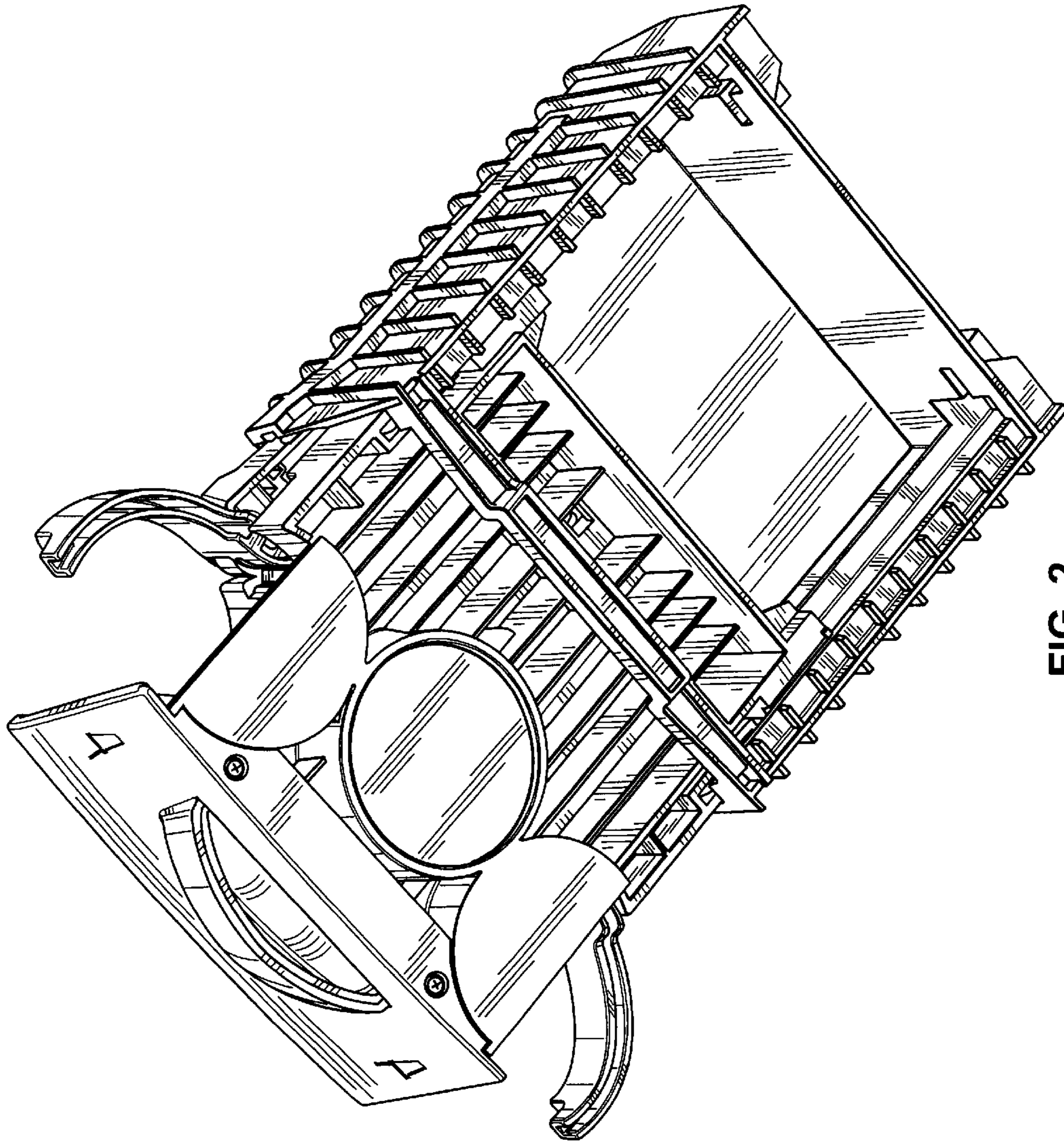


FIG. 2

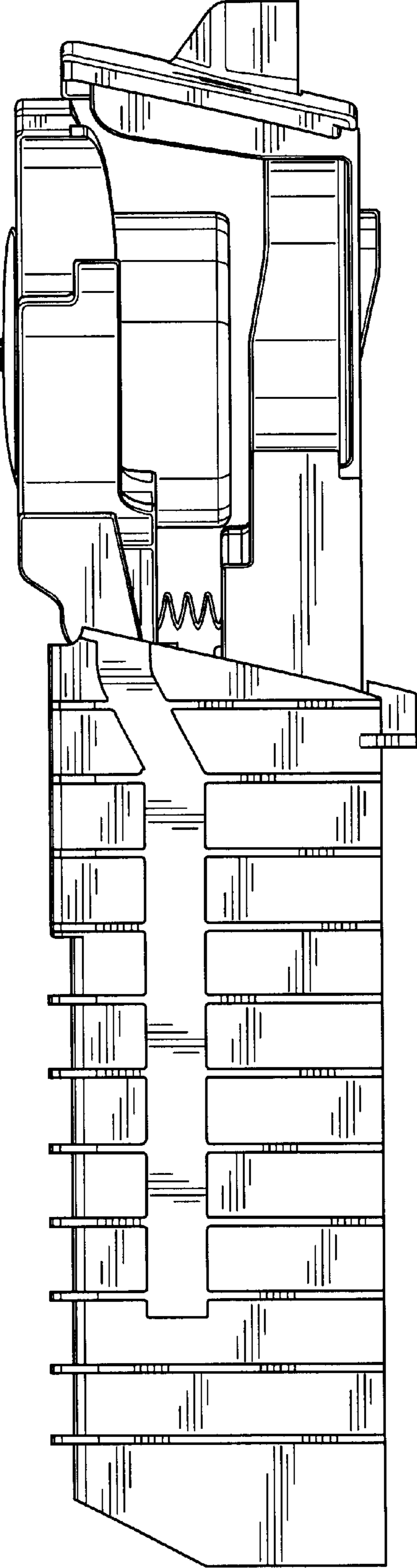


FIG. 3

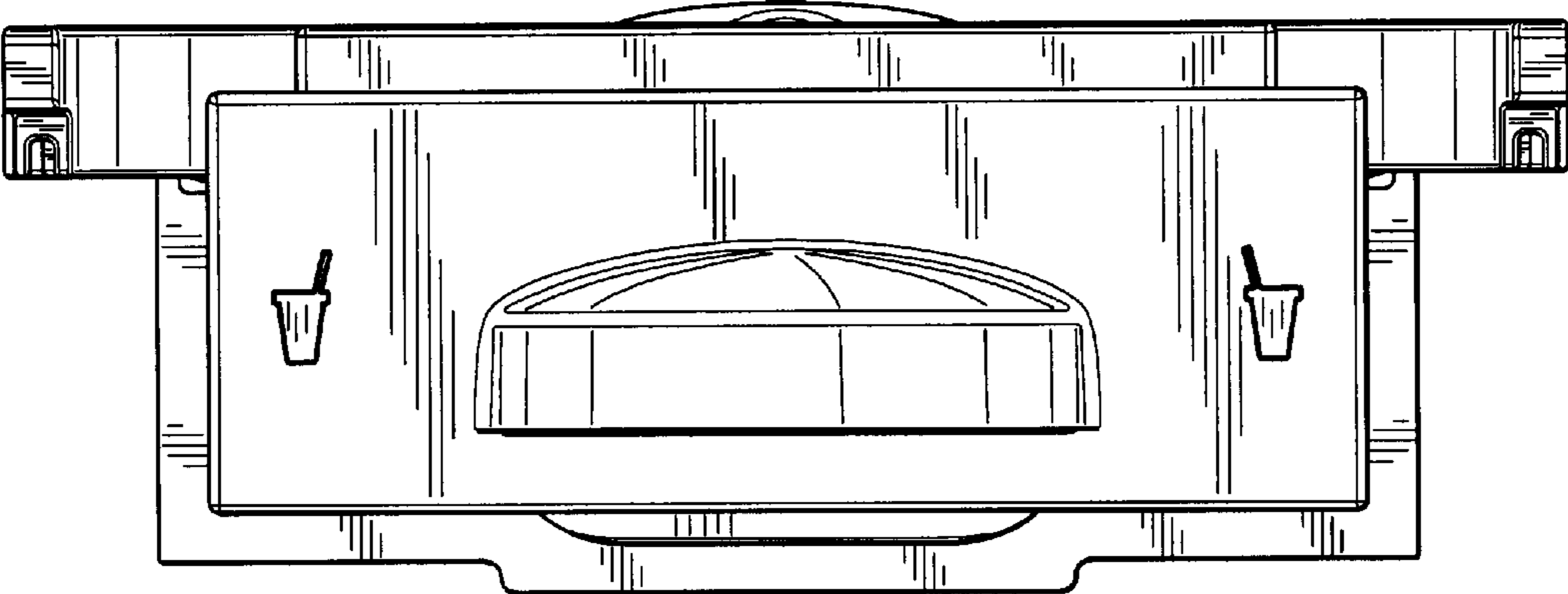


FIG. 4

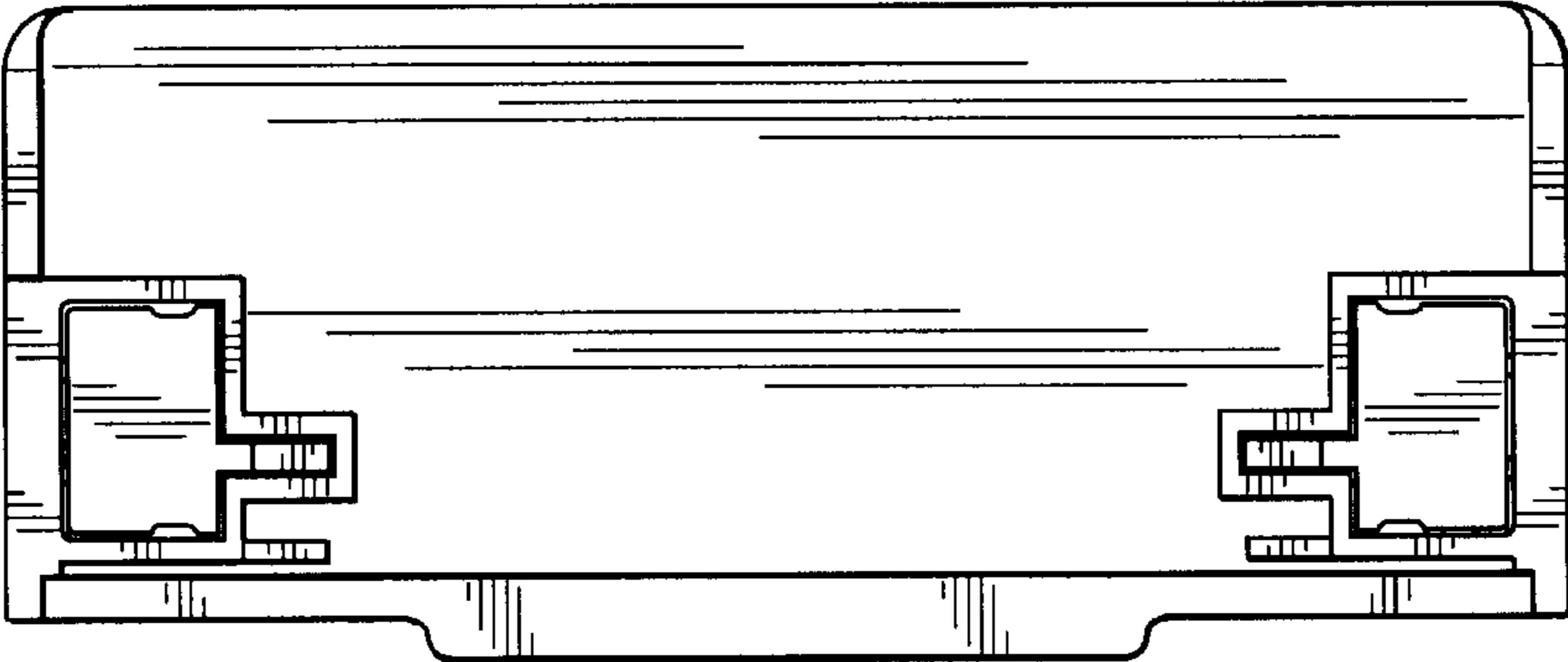


FIG. 5

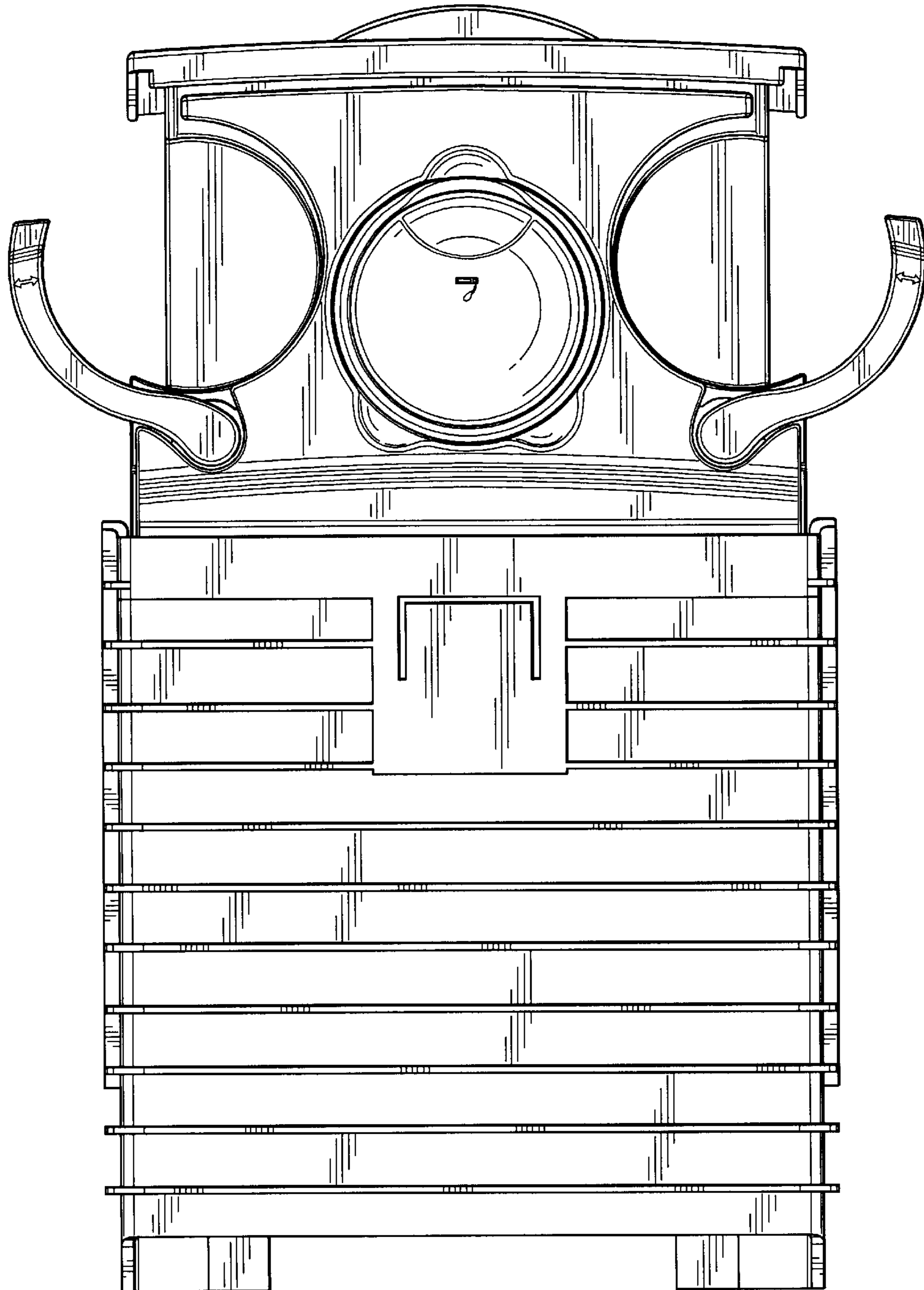


FIG. 6

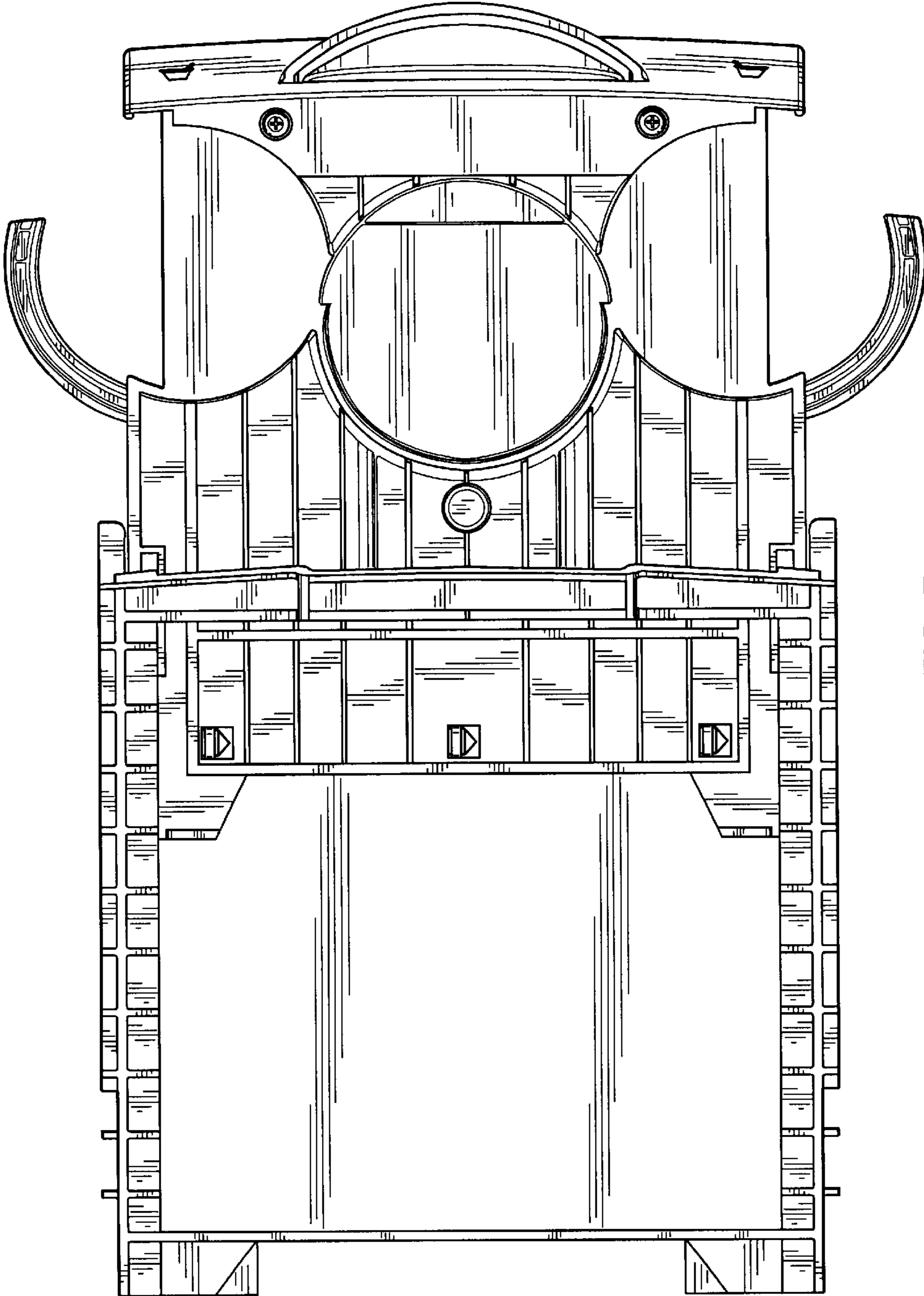


FIG. 7

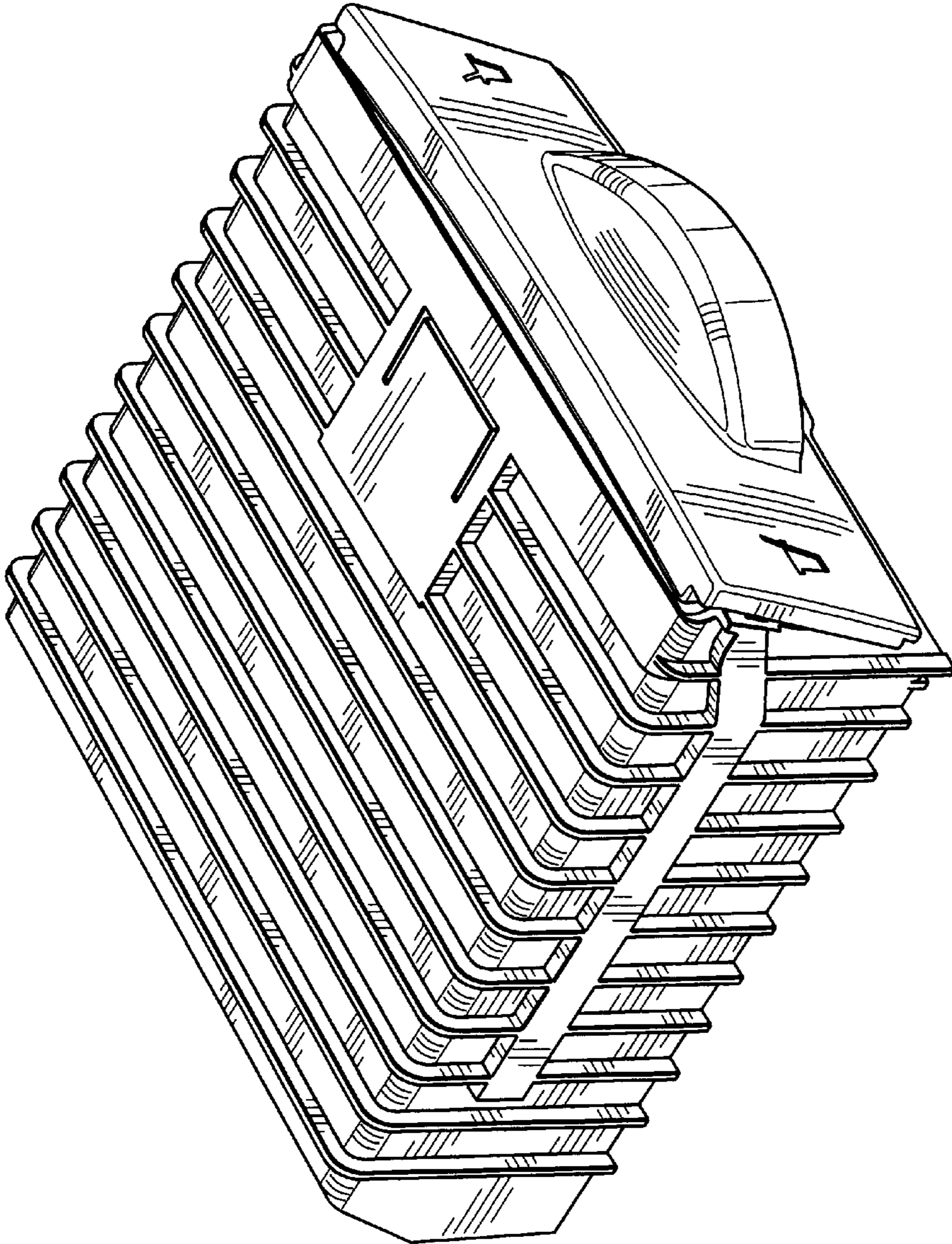


FIG. 8