

US00D508671S

(12) **United States Design Patent**
Baum

(10) **Patent No.:** **US D508,671 S**

(45) **Date of Patent:** **** Aug. 23, 2005**

(54) **FRONT FACE OF A VEHICLE WHEEL**

(75) **Inventor:** **Stephan Baum, Olching (DE)**

(73) **Assignee:** **Bayerische Motoren Werke
Aktiengesellschaft, Munich (DE)**

(**) **Term:** **14 Years**

(21) **Appl. No.:** **29/192,284**

(22) **Filed:** **Oct. 23, 2003**

(30) **Foreign Application Priority Data**

Apr. 24, 2003 (DE) 4 03 03 219

(51) **LOC (8) Cl.** **12-16**

(52) **U.S. Cl.** **D12/209**

(58) **Field of Search** D12/204-213;
301/37.101, 64.101, 65

(56) **References Cited**

U.S. PATENT DOCUMENTS

- D461,443 S * 8/2002 Fitzgerald D12/211
- D466,460 S * 12/2002 Kataoka D12/209
- D479,173 S * 9/2003 McMath D12/209
- D480,672 S * 10/2003 Pfeiffer et al. D12/209

- D487,043 S * 2/2004 McMath D12/209
- D487,242 S * 3/2004 Lecher et al. D12/211
- D493,405 S * 7/2004 Boyer D12/211
- D499,681 S * 12/2004 Boyer D12/209

FOREIGN PATENT DOCUMENTS

WO DM/041393 11/1997

* cited by examiner

Primary Examiner—Stacia Cadmus

(74) *Attorney, Agent, or Firm*—Crowell & Moring LLP

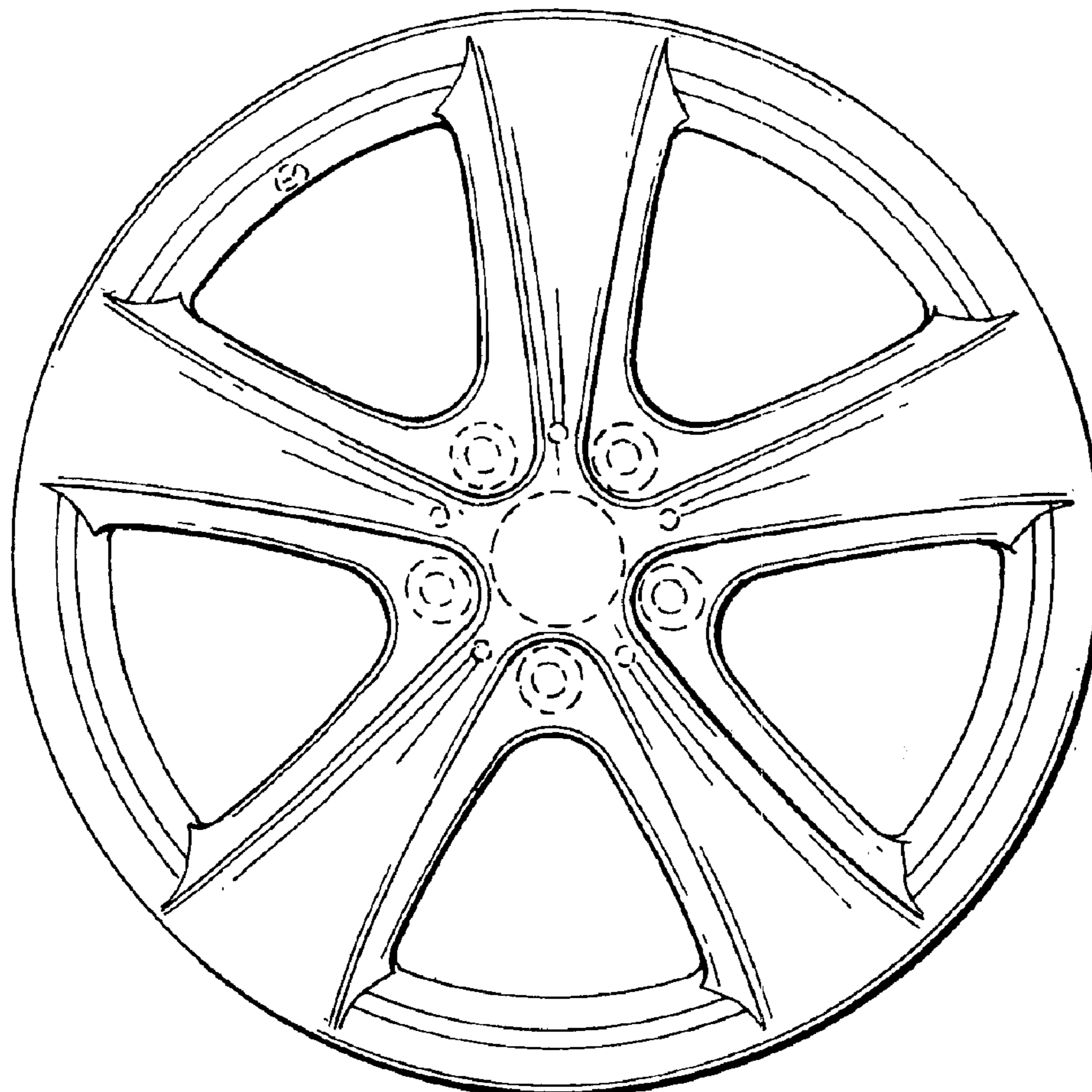
(57) **CLAIM**

The ornamental design for a front face of a vehicle wheel, as shown and described.

DESCRIPTION

FIG. 1 is a front view of a front face of a vehicle wheel according to my novel design; and, FIG. 2 is a perspective view of the front face of a vehicle wheel according to my novel design. The broken lines are for illustrative purposes only and form no part of the claimed design. Also enclosed is a set of photographs of an embodiment of my invention.

1 Claim, 1 Drawing Sheet



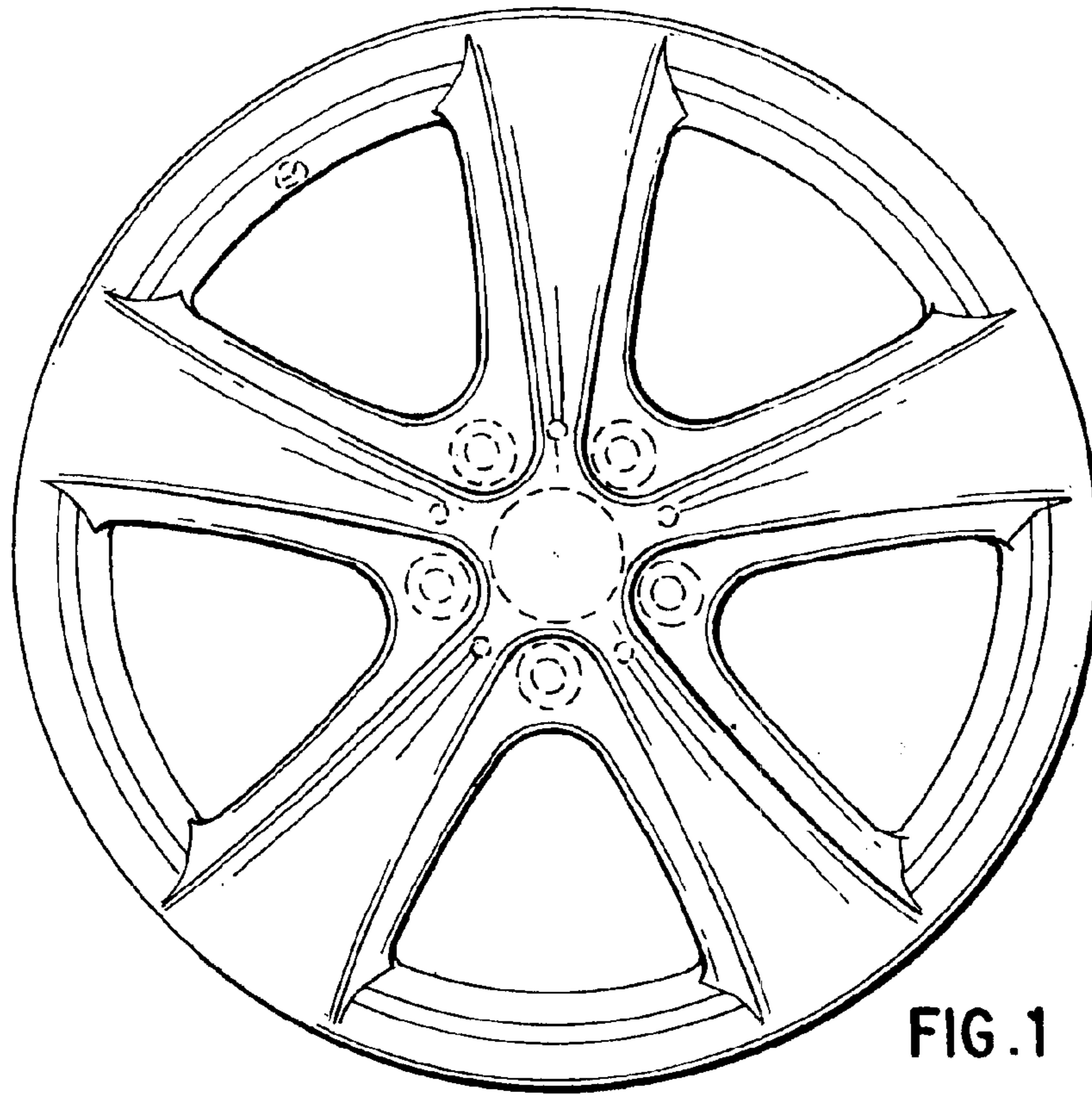


FIG. 1

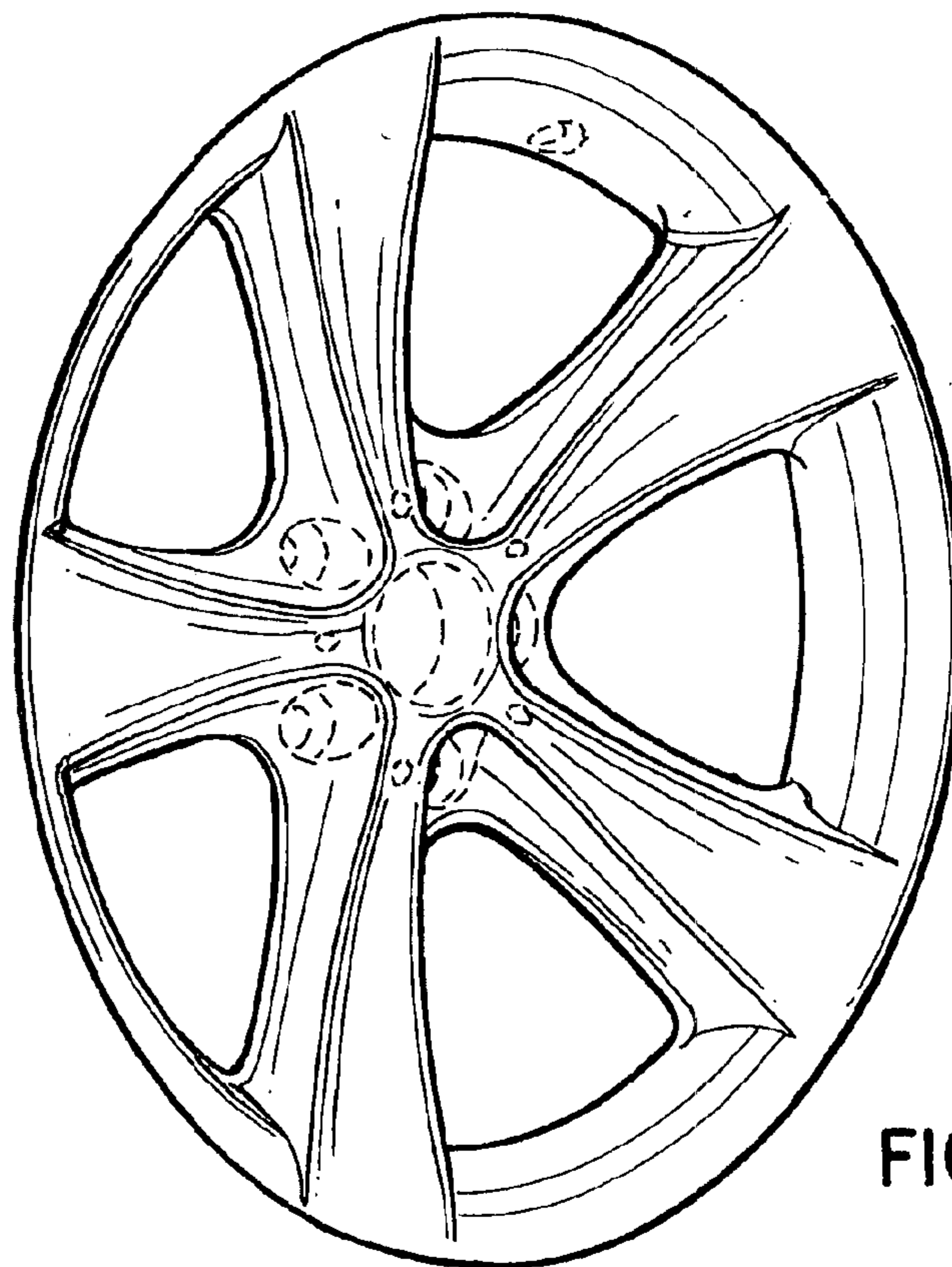


FIG. 2