

US00D508669S

(12) **United States Design Patent**  
**Marchese et al.**

(10) **Patent No.:** **US D508,669 S**

(45) **Date of Patent:** **\*\* Aug. 23, 2005**

(54) **SKID PLATE**

D487,041 S \* 2/2004 Schlachter ..... D12/196

(75) Inventors: **Daniel Shea Marchese**, Lake Forest, CA (US); **Jennifer Lynn Marchese**, Lake Forest, CA (US)

\* cited by examiner

*Primary Examiner*—Melody N. Brown

(73) Assignee: **Daniel S. Marchese**, Lake Forest, CA (US)

(57) **CLAIM**

We claim the ornamental design for a skid plate, as shown and described.

(\*\*) Term: **14 Years**

**DESCRIPTION**

(21) Appl. No.: **29/216,630**

FIG. 1 is a perspective view of a skid plate according to our invention.

(22) Filed: **Nov. 5, 2004**

FIG. 2 is a front view of the skid plate.

(51) **LOC (8) Cl.** ..... **12-16**

FIG. 3 is a rear view of the skid plate.

(52) **U.S. Cl.** ..... **D12/196**

FIG. 4 is a left side view of the skid plate.

(58) **Field of Search** ..... D12/190, 191, D12/196, 107, 400, 14-16; D15/17, 31, 23; 296/57.1, 19, 180.1, 180.2

FIG. 5 is a right side view of the skid plate.

FIG. 6 is a top view of the skid plate; and,

FIG. 7 is a bottom view of the skid plate.

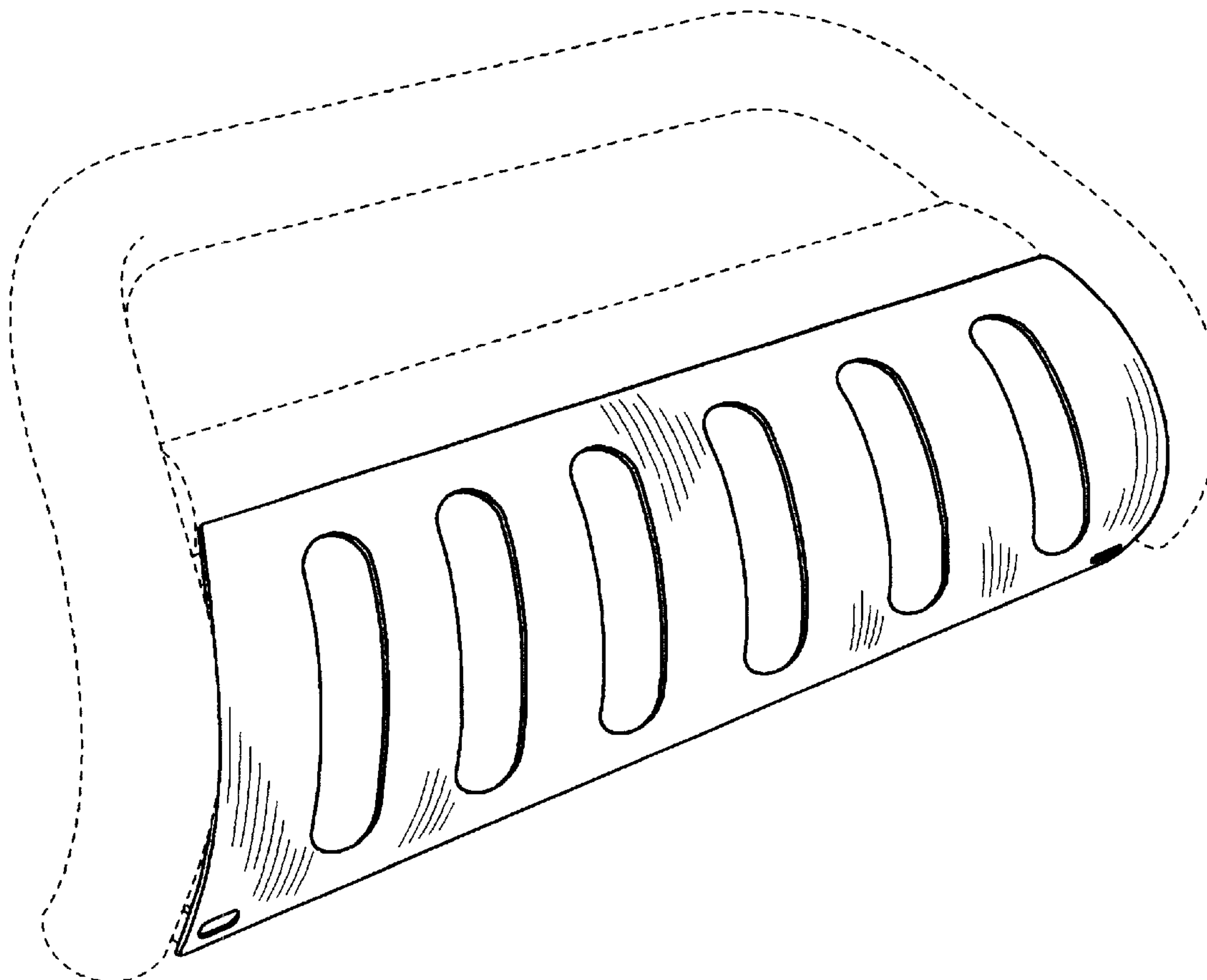
The skid plate of the invention is characterized by elongated, vertically oriented apertures, which resemble "Obrounds". The broken lines are shown for illustrative purposes only and form no part of the claimed design.

(56) **References Cited**

**U.S. PATENT DOCUMENTS**

D474,726 S \* 5/2003 Weber et al. .... D12/196

**1 Claim, 3 Drawing Sheets**



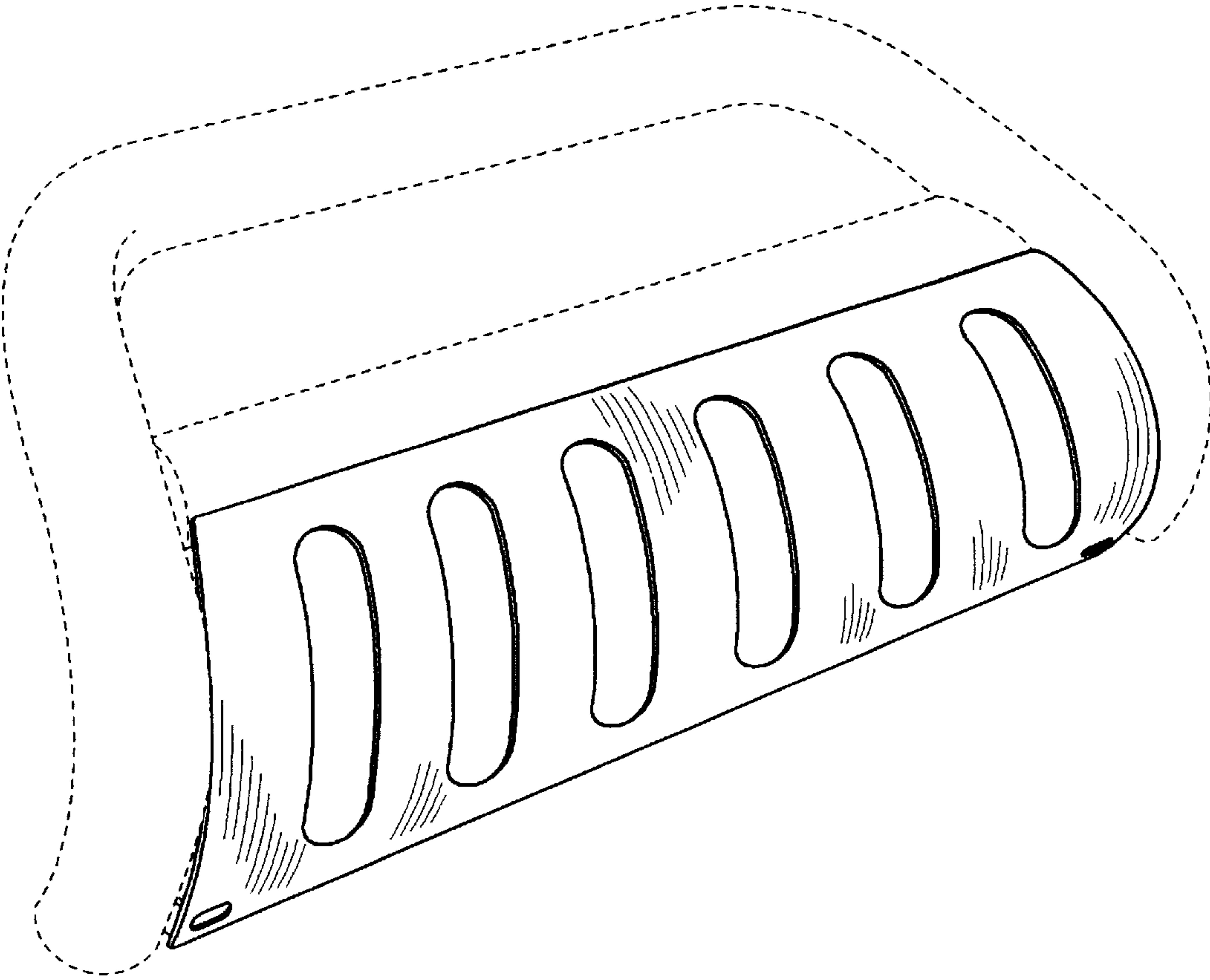


FIG. 1

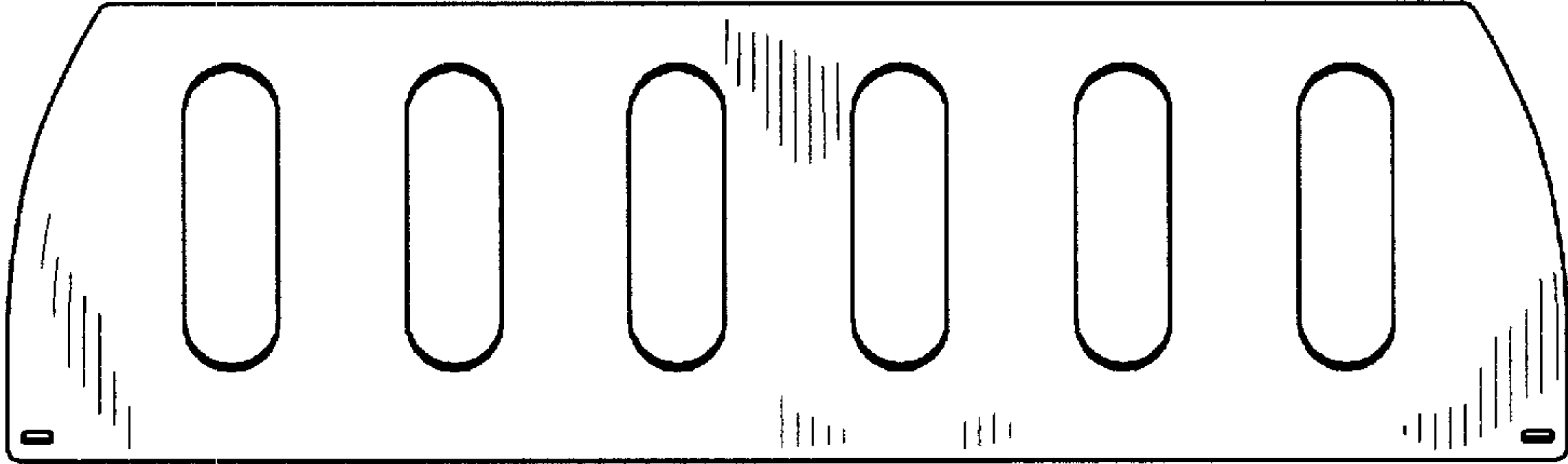


FIG. 2

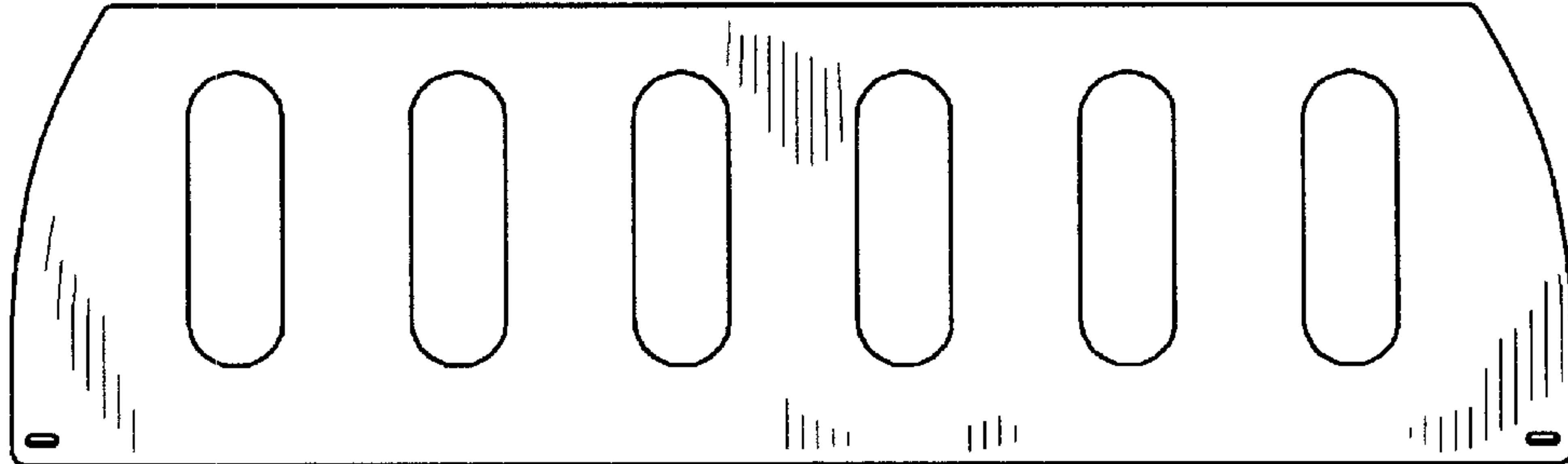


FIG. 3



FIG. 4



FIG. 5



FIG. 6



FIG. 7