

US00D508664S

(12) **United States Design Patent**  
**Armstrong et al.**

(10) **Patent No.: US D508,664 S**

(45) **Date of Patent: \*\* Aug. 23, 2005**

(54) **THREE WHEEL SCOOTER**

D494,510 S \* 8/2004 Tsai ..... D12/128

(75) Inventors: **Timothy O. Armstrong**, Clarks Summit, PA (US); **Colburn L. Jones**, West Pittston, PA (US)

\* cited by examiner

*Primary Examiner*—Marcus A. Jackson  
(74) *Attorney, Agent, or Firm*—Drinker Biddle & Reath LLP

(73) Assignee: **Pride Mobility Products Corporation**, Exeter, PA (US)

(57) **CLAIM**

(\*\*) Term: **14 Years**

The ornamental design of a three wheel scooter, as shown and described.

(21) Appl. No.: **29/218,562**

**DESCRIPTION**

(22) Filed: **Dec. 3, 2004**

**Related U.S. Application Data**

(63) Continuation of application No. 29/201,561, filed on Mar. 16, 2004.

FIG. 1 is a front and top perspective view of the design of a three wheel scooter of the present invention. The seat portion mounted on the rear seat post, as illustrated in this FIG. 1, is shown in phantom whereby disclaimed and does not form a part of the present design.

(51) **LOC (8) Cl.** ..... **12-99**

(52) **U.S. Cl.** ..... **D12/128**

(58) **Field of Search** ..... D12/128-133;  
280/250.1, 304.1; 180/65, 65.1, 21, 907,  
908; 297/DIG. 4

FIG. 2 is a rear and top perspective view of the three wheel scooter shown in FIG. 1.

FIG. 3 is a front elevational view of the three wheel scooter shown in FIGS. 1 and 2.

FIG. 4 is a rear elevational view of the three wheel scooter shown in FIGS. 1-3.

FIG. 5 is a right side elevational view of the design of the three wheel scooter shown in FIGS. 1-4.

FIG. 6 is a left side elevational view of the three wheel scooter shown in FIGS. 1-5.

FIG. 7 is a top plan view of the three wheel scooter shown in FIGS. 1-6; and,

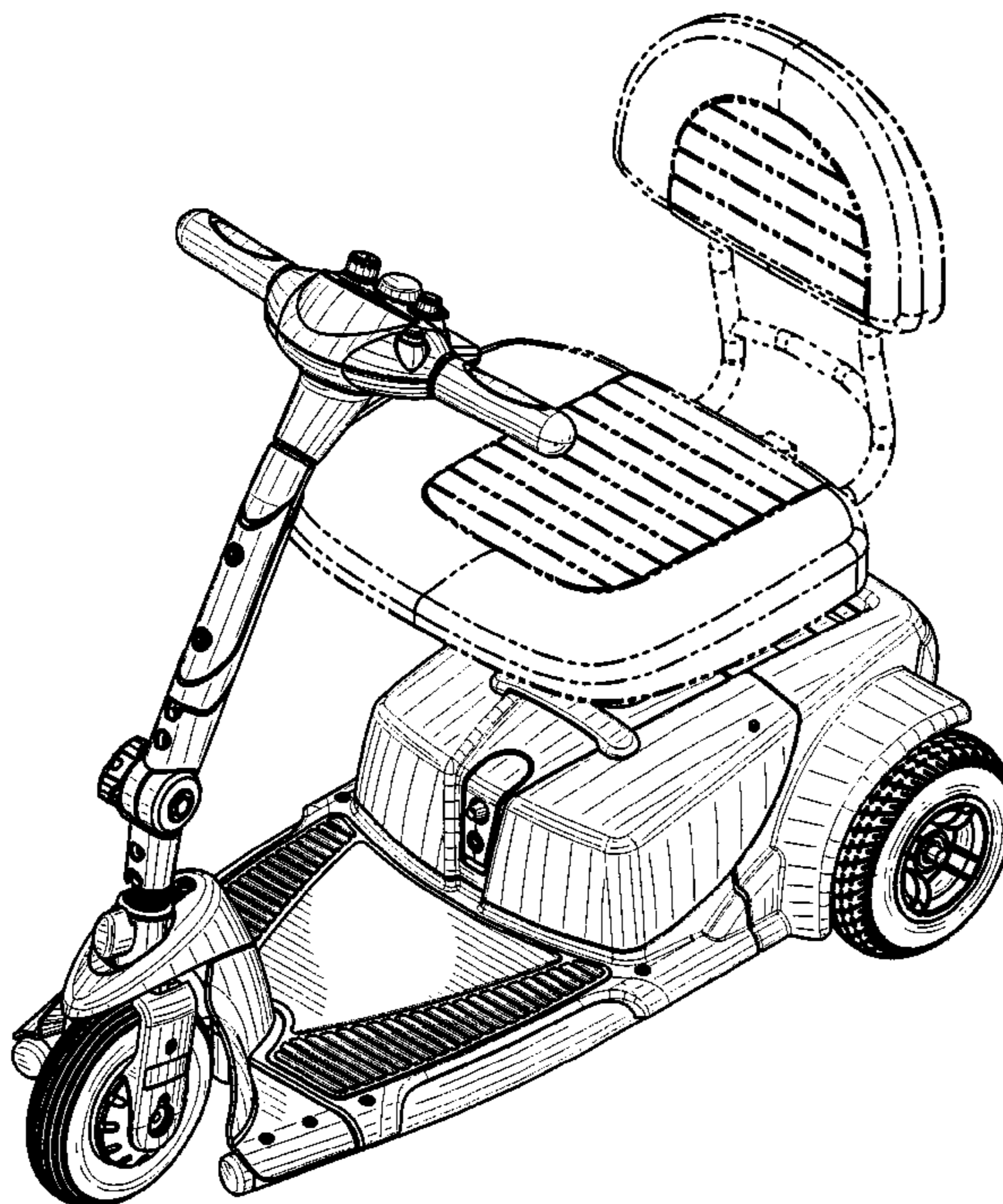
FIG. 8 is a bottom plan view of the three wheel scooter as shown in FIGS. 1-7.

(56) **References Cited**

**U.S. PATENT DOCUMENTS**

D397,645 S	9/1998	Schaffner	.....	D12/131
D401,190 S	* 11/1998	Krause	.....	D12/128
D406,803 S	3/1999	Kruse	.....	D12/131
D444,422 S	* 7/2001	Cheng	.....	D12/128
D468,669 S	1/2003	Hopely, Jr.	.....	D12/131
D491,115 S	6/2004	Taylor	.....	D12/131
D494,110 S	8/2004	Cheng	.....	D12/131

**1 Claim, 8 Drawing Sheets**



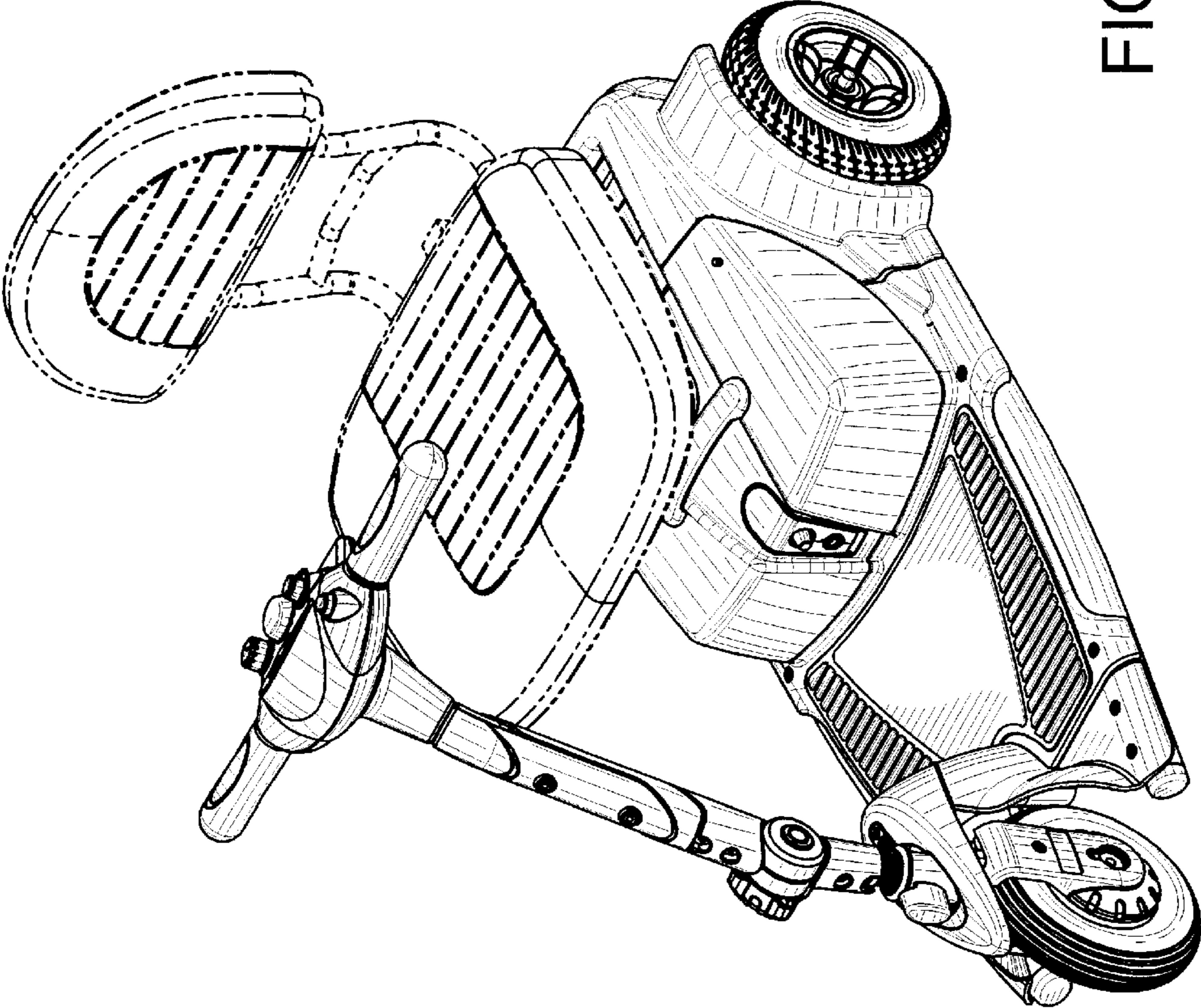


FIG. 1

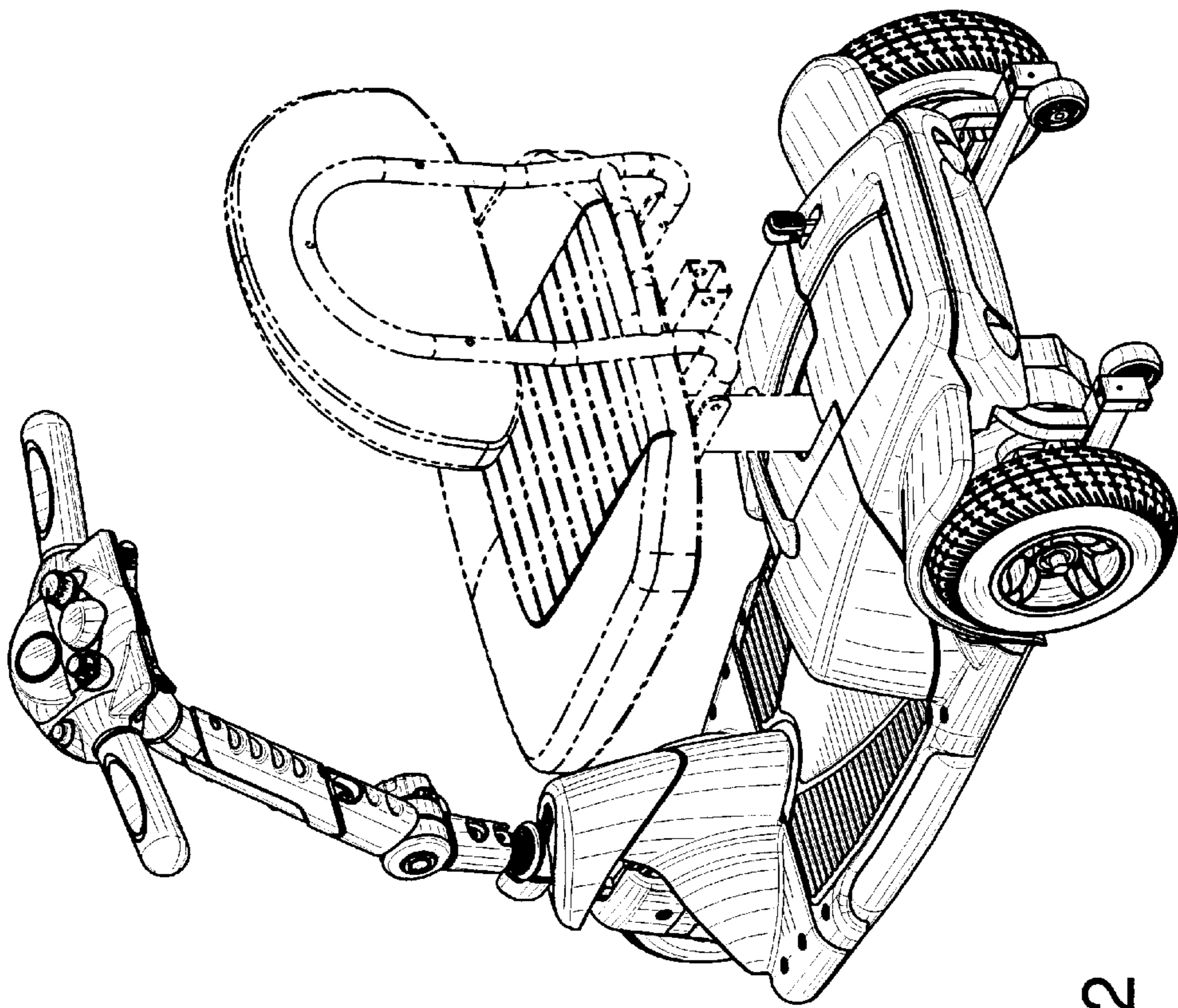


FIG. 2

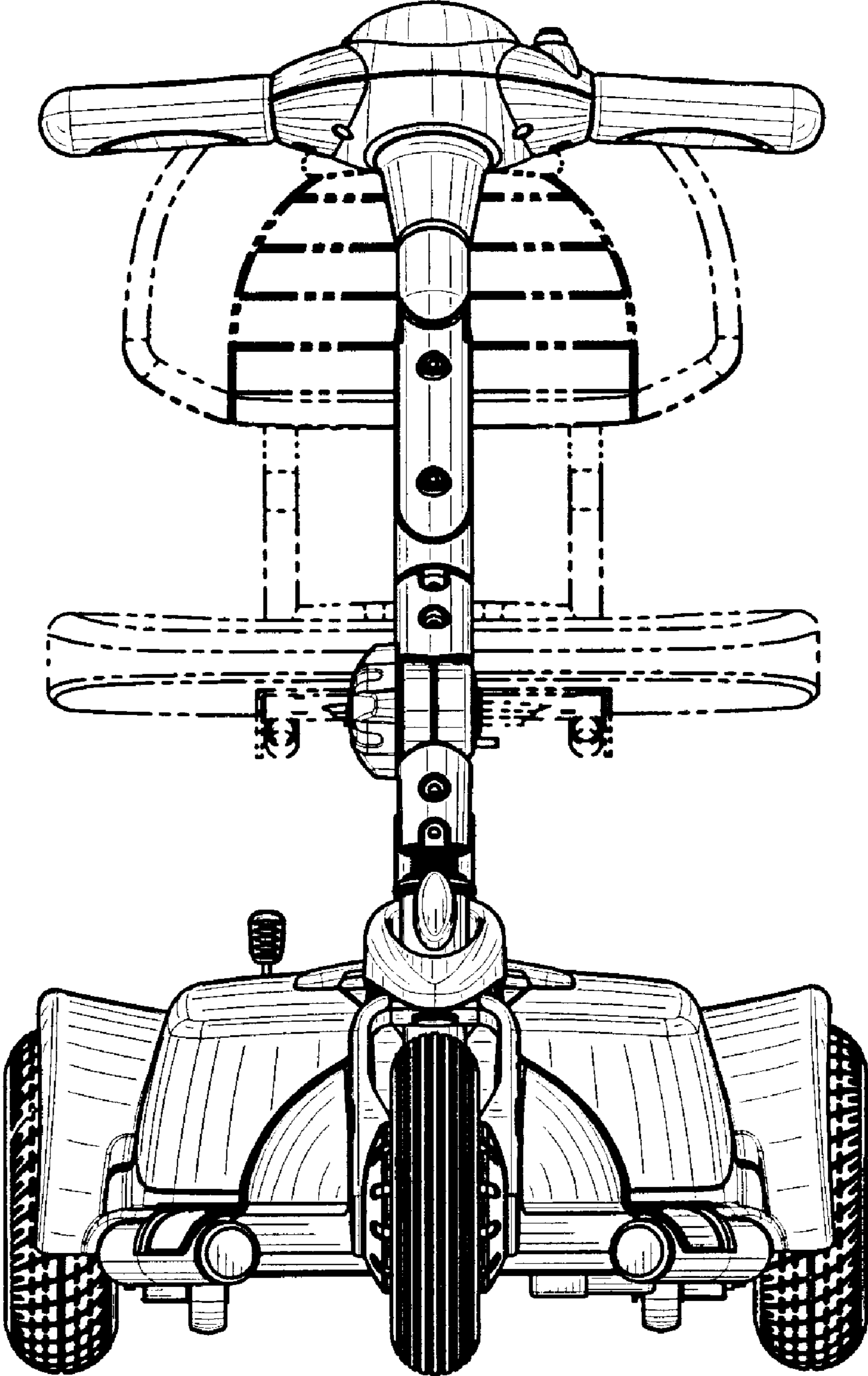


FIG. 3

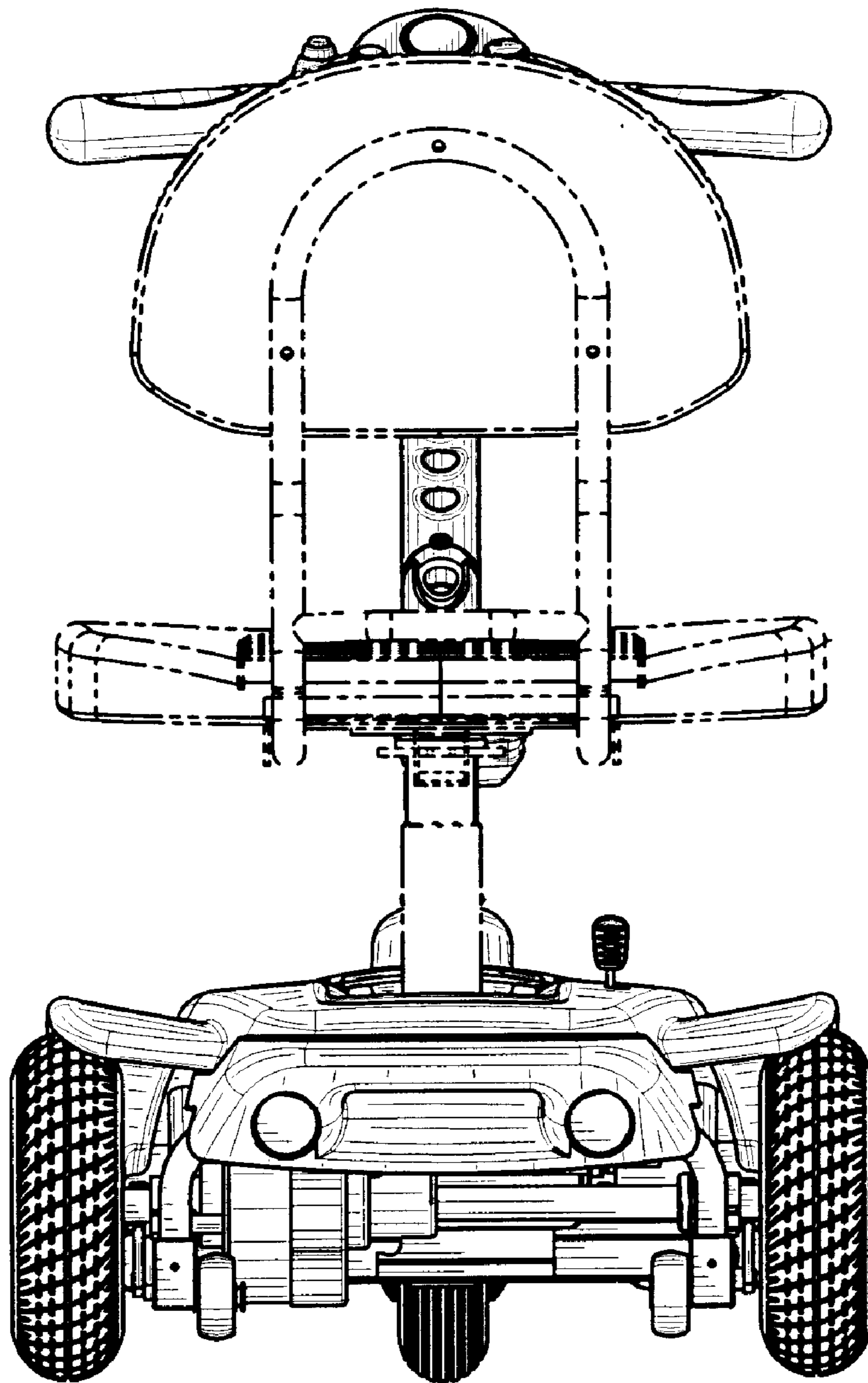


FIG. 4

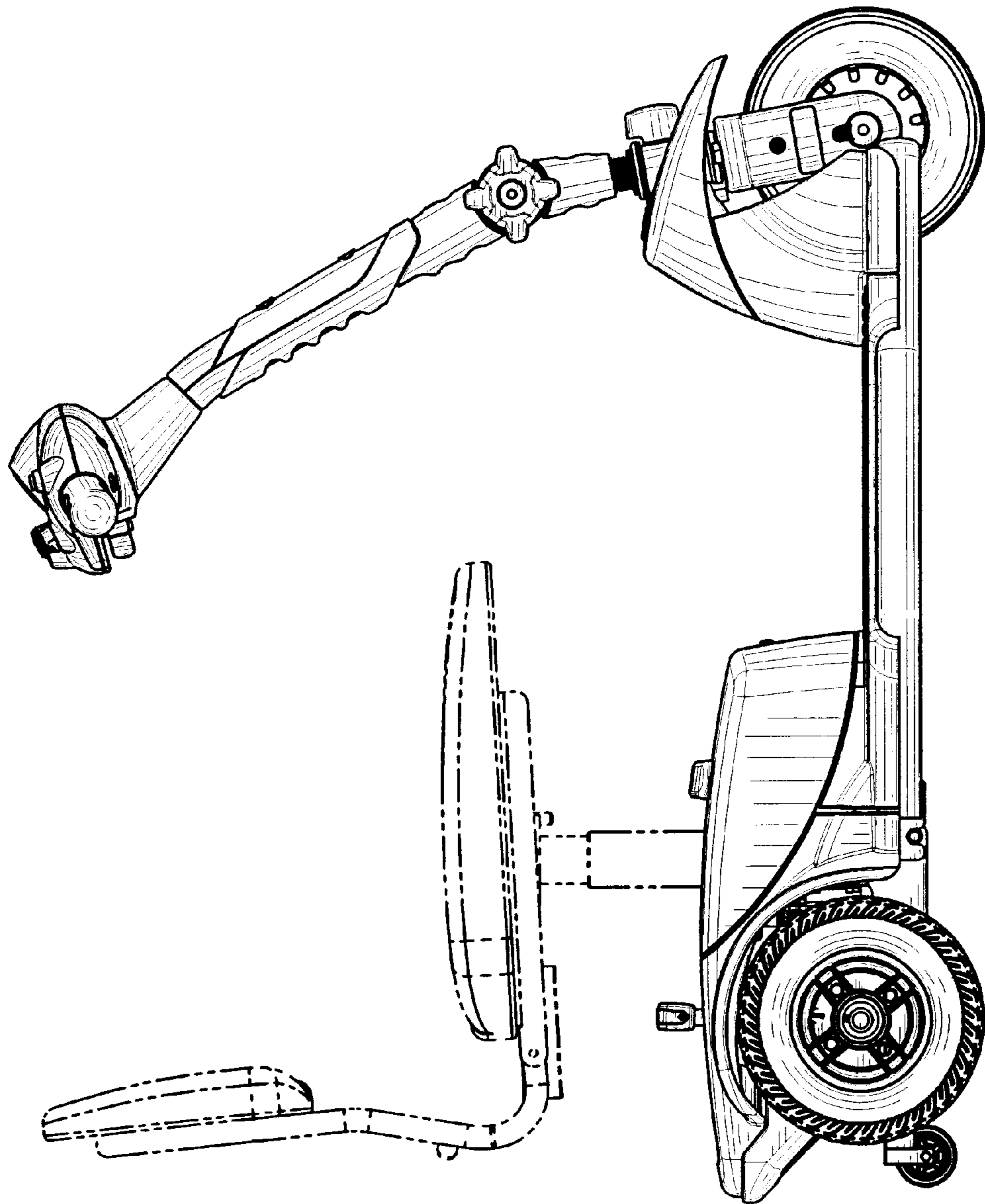


FIG. 5

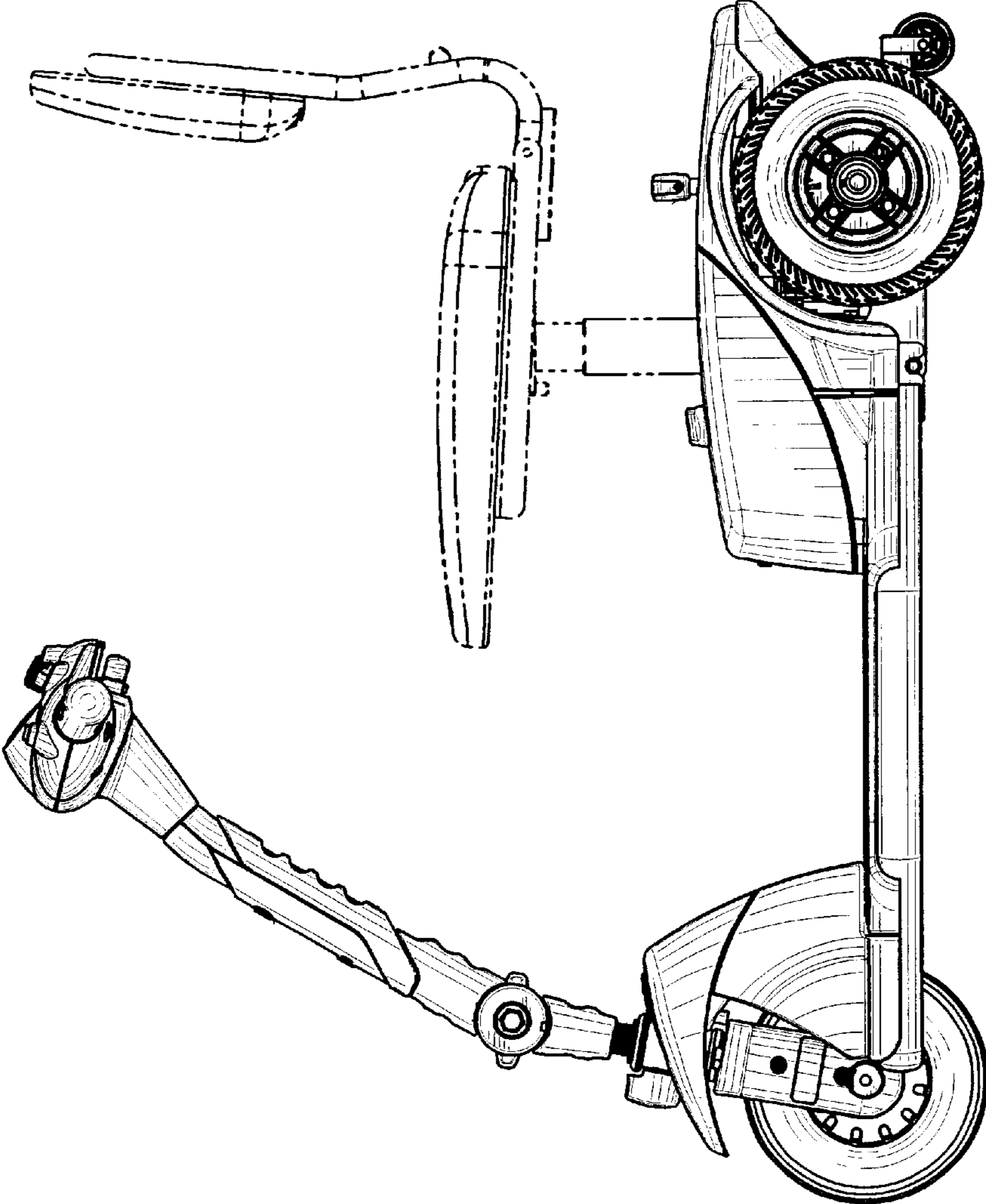


FIG. 6

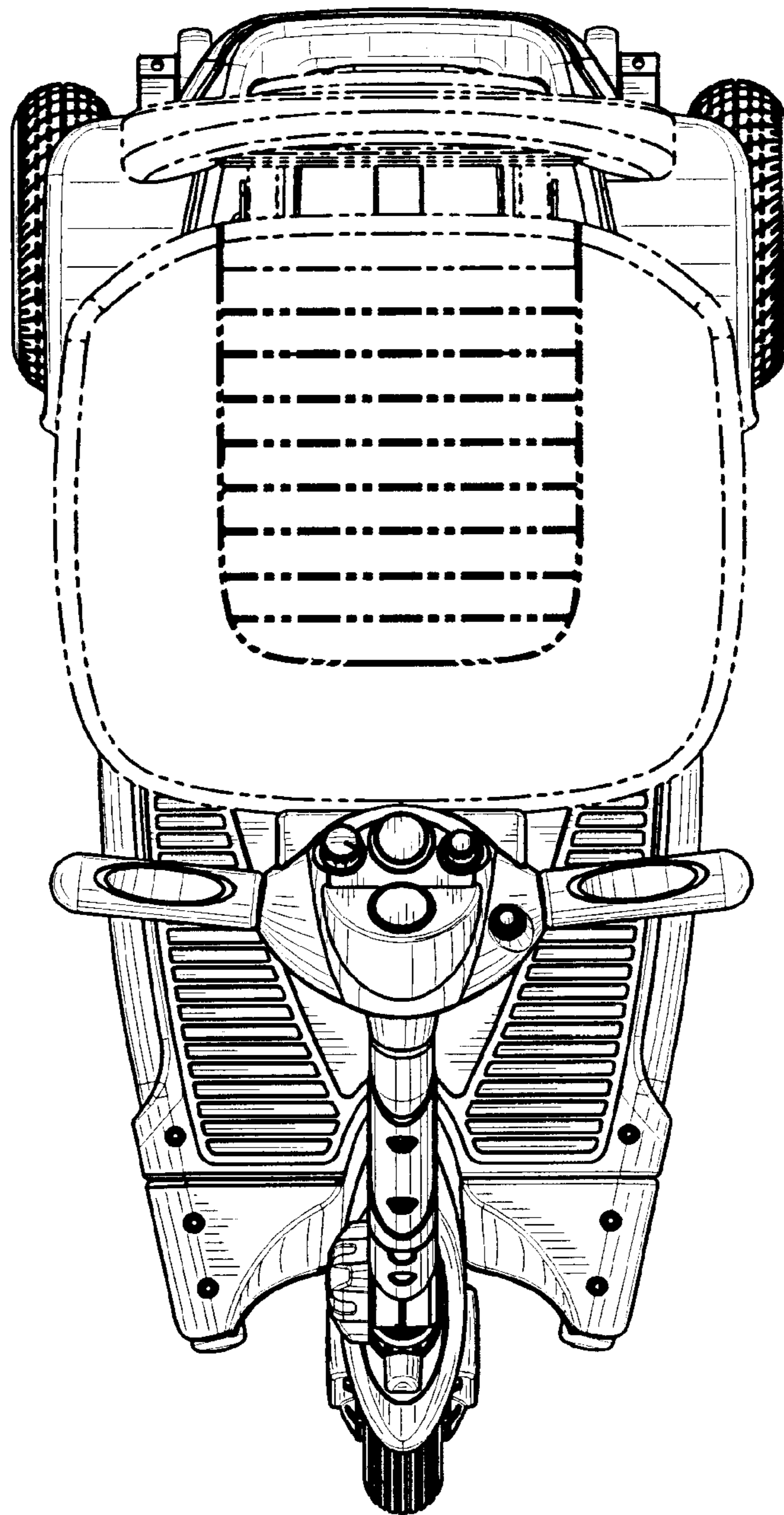


FIG. 7



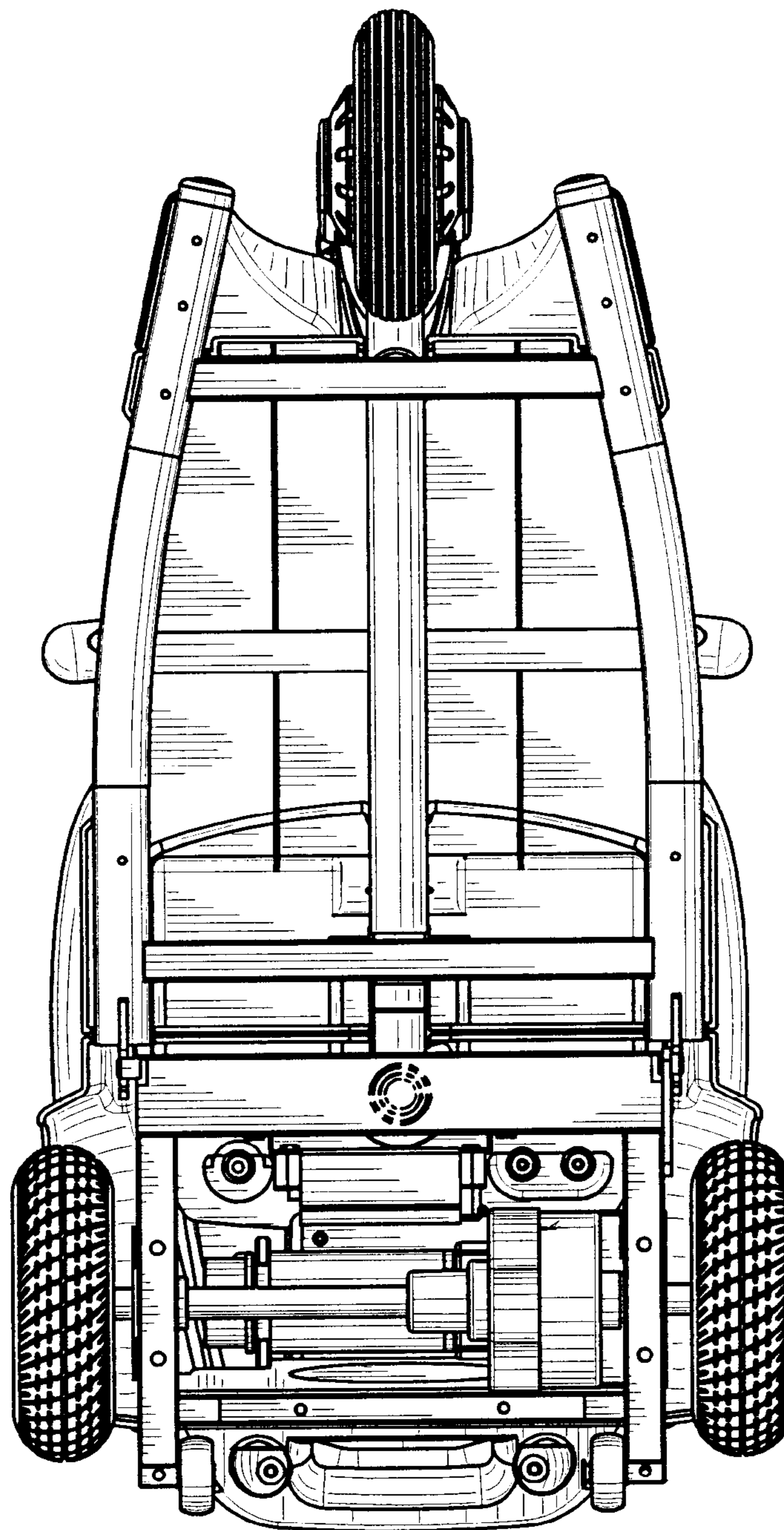


FIG. 8