



US00D508663S

(12) **United States Design Patent** (10) **Patent No.:** **US D508,663 S**
Blankenship et al. (45) **Date of Patent:** **** Aug. 23, 2005**

(54) **BICYCLE**

(75) Inventors: **Frank Blankenship**, Downingtown, PA (US); **Greg Blake**, Madison, WI (US)

(73) Assignee: **Pacific Cycle, LLC**, Madison, WI (US)

(**) Term: **14 Years**

(21) Appl. No.: **29/211,575**

(22) Filed: **Aug. 18, 2004**

Related U.S. Application Data

(63) Continuation-in-part of application No. 29/187,613, filed on Aug. 4, 2003, now Pat. No. Des. 499,360.

(51) **LOC (8) Cl.** **12-11**

(52) **U.S. Cl.** **D12/111**

(58) **Field of Search** D12/110, 111;
280/274-288, 288.1-288.3, 281.1; 180/219,
220, 311

(56) **References Cited**

U.S. PATENT DOCUMENTS

D299,220 S	1/1989	Trusky	
D301,437 S	6/1989	Bleustein et al.	
D392,603 S	3/1998	Quick	
5,845,728 A	* 12/1998	Itoh et al.	180/219
D449,808 S	10/2001	Soto	
D492,917 S	* 7/2004	Pedersen	D12/110

* cited by examiner

Primary Examiner—Alan P. Douglas

Assistant Examiner—Linda Brooks

(74) *Attorney, Agent, or Firm*—Brian G. Gilpin; Godfrey & Kahn, S.C.

(57) **CLAIM**

The ornamental design for a bicycle, as shown and described.

DESCRIPTION

FIG. 1 is a perspective view of a bicycle showing my new design;

FIG. 2 is a top view of the bicycle of FIG. 1, shown without the pedals and chain;

FIG. 3 is a bottom view of the bicycle of FIG. 1, shown without the pedals and chain;

FIG. 4 is a right side view of the bicycle of FIG. 1, shown without the pedals and chain;

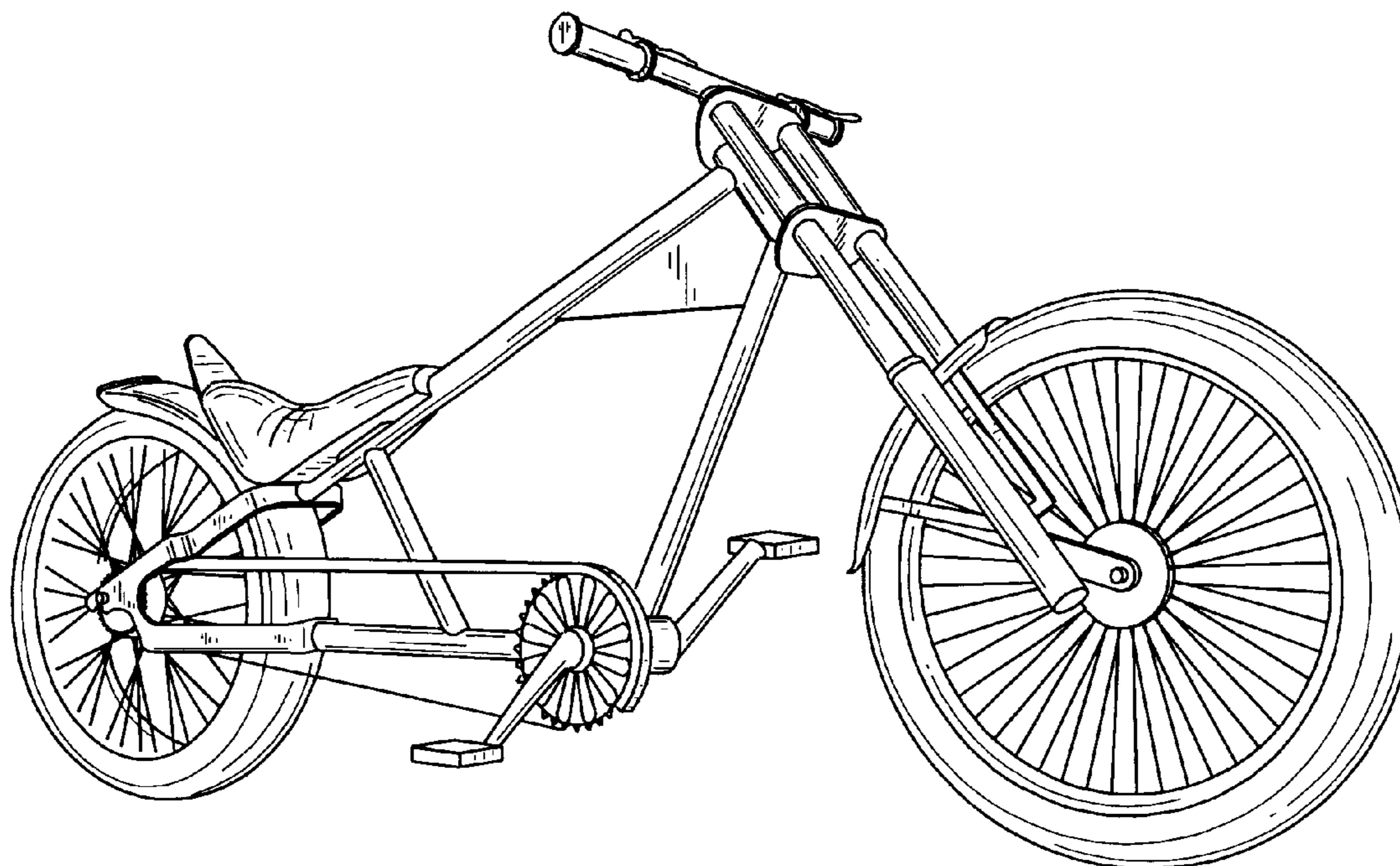
FIG. 5 is a left side view of the bicycle of FIG. 1, shown without the pedals and chain;

FIG. 6 is a front view of the bicycle of FIG. 1, shown without the pedals and chain; and,

FIG. 7 is an enlarged rear view of the bicycle of FIG. 1, shown without the pedals and chain.

The pedals and chain are not shown in FIGS. 2-7 for clarity of illustration.

1 Claim, 5 Drawing Sheets



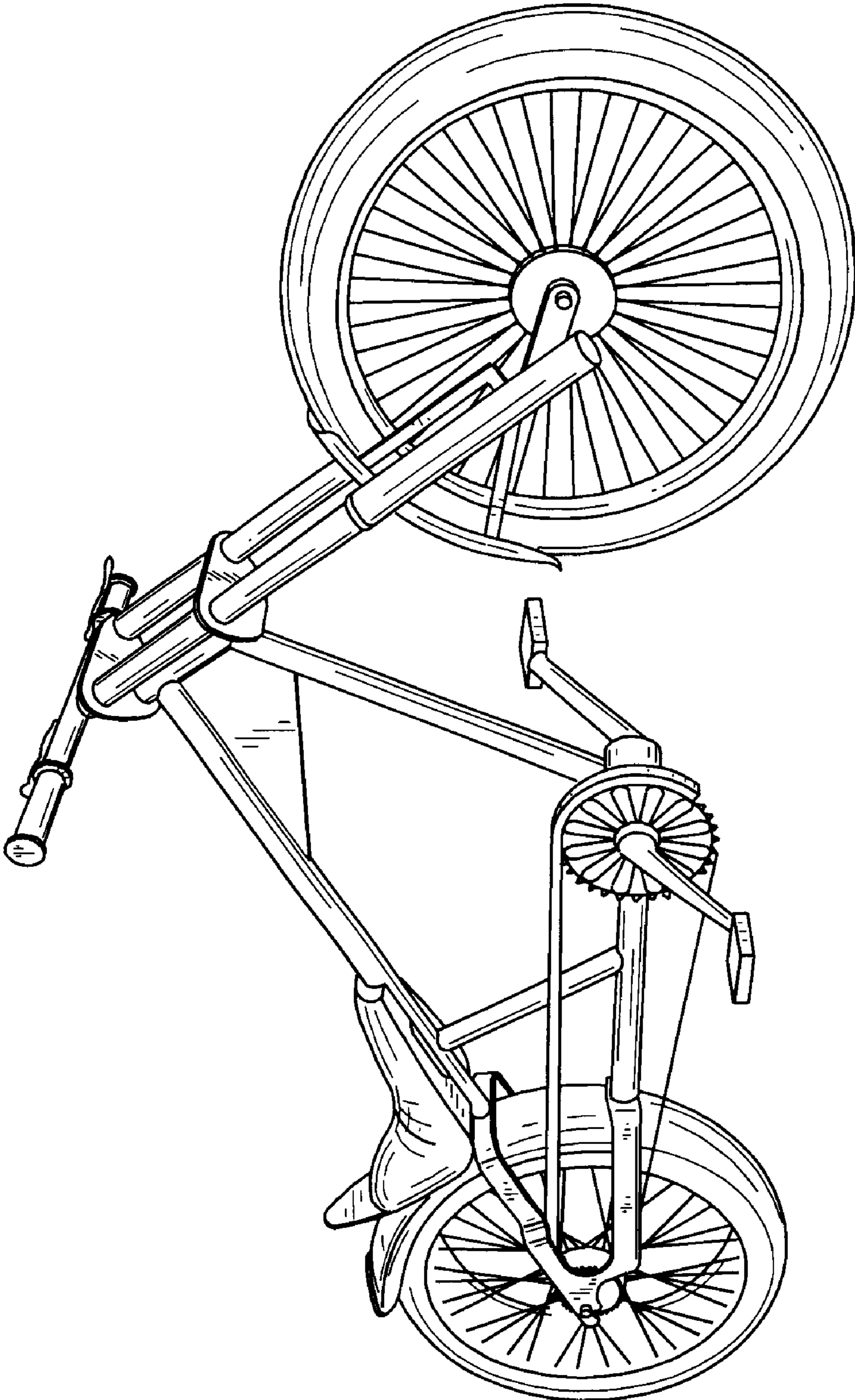
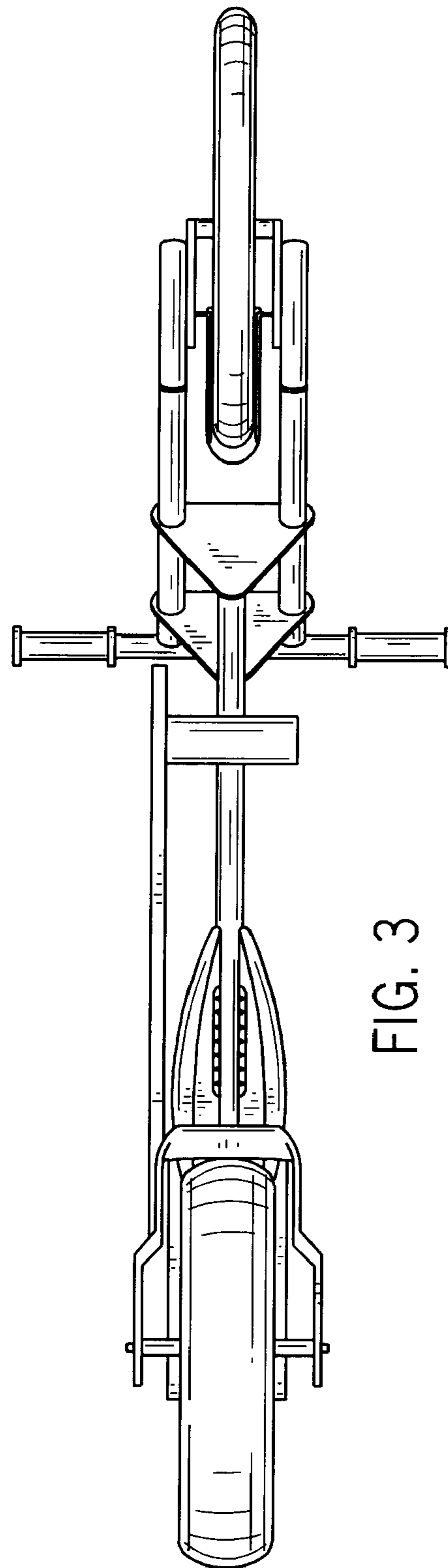
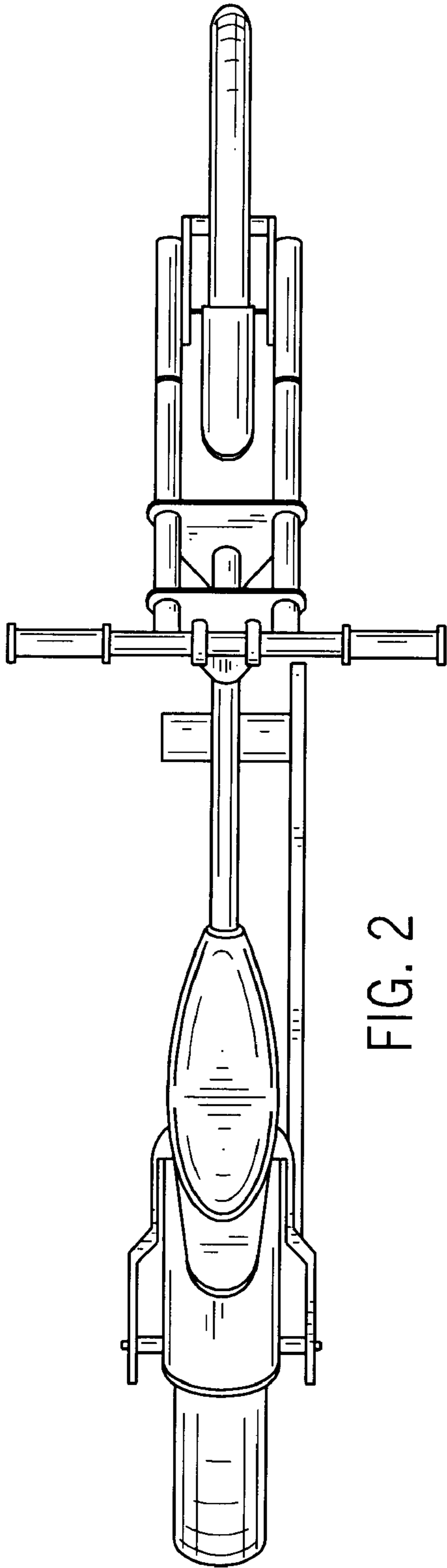


FIG. 1



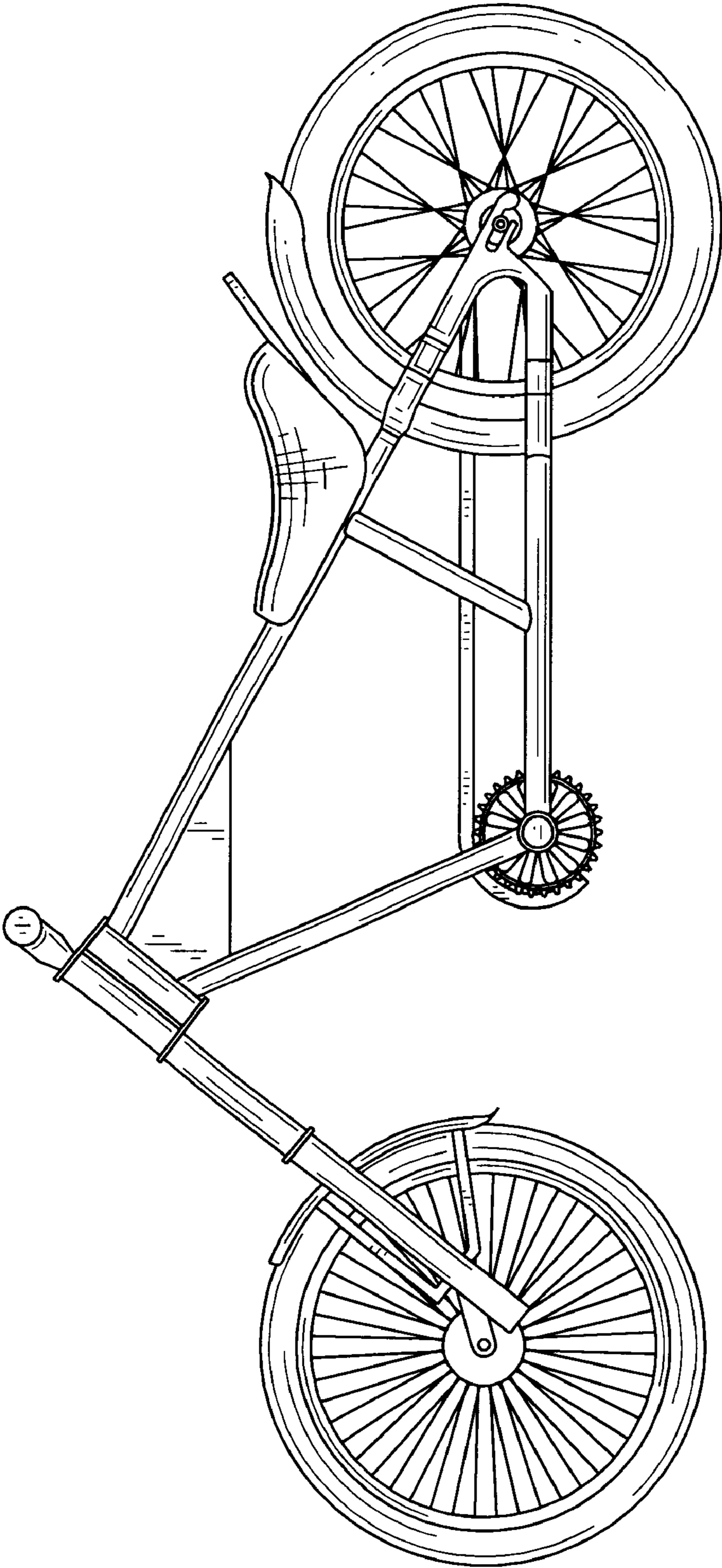


FIG. 4

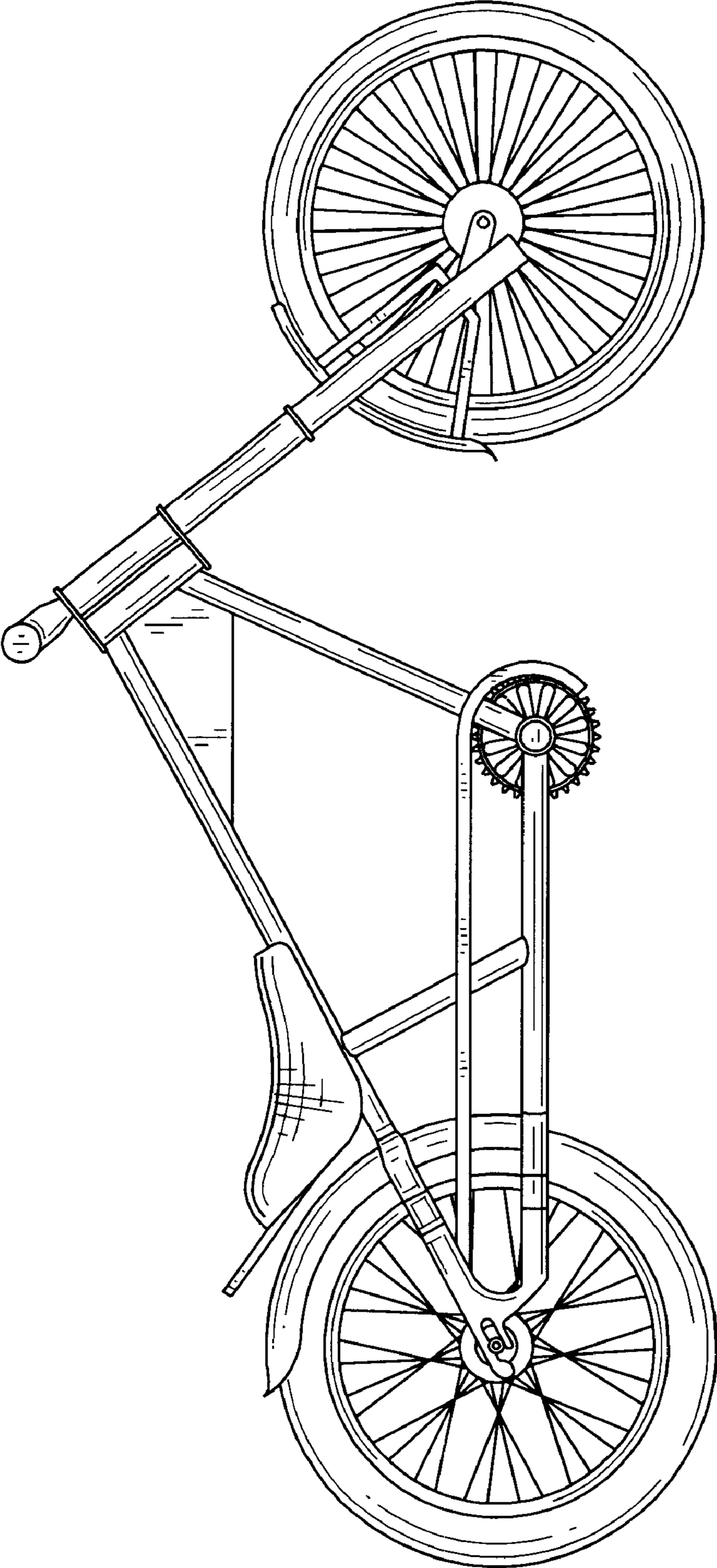


FIG. 5

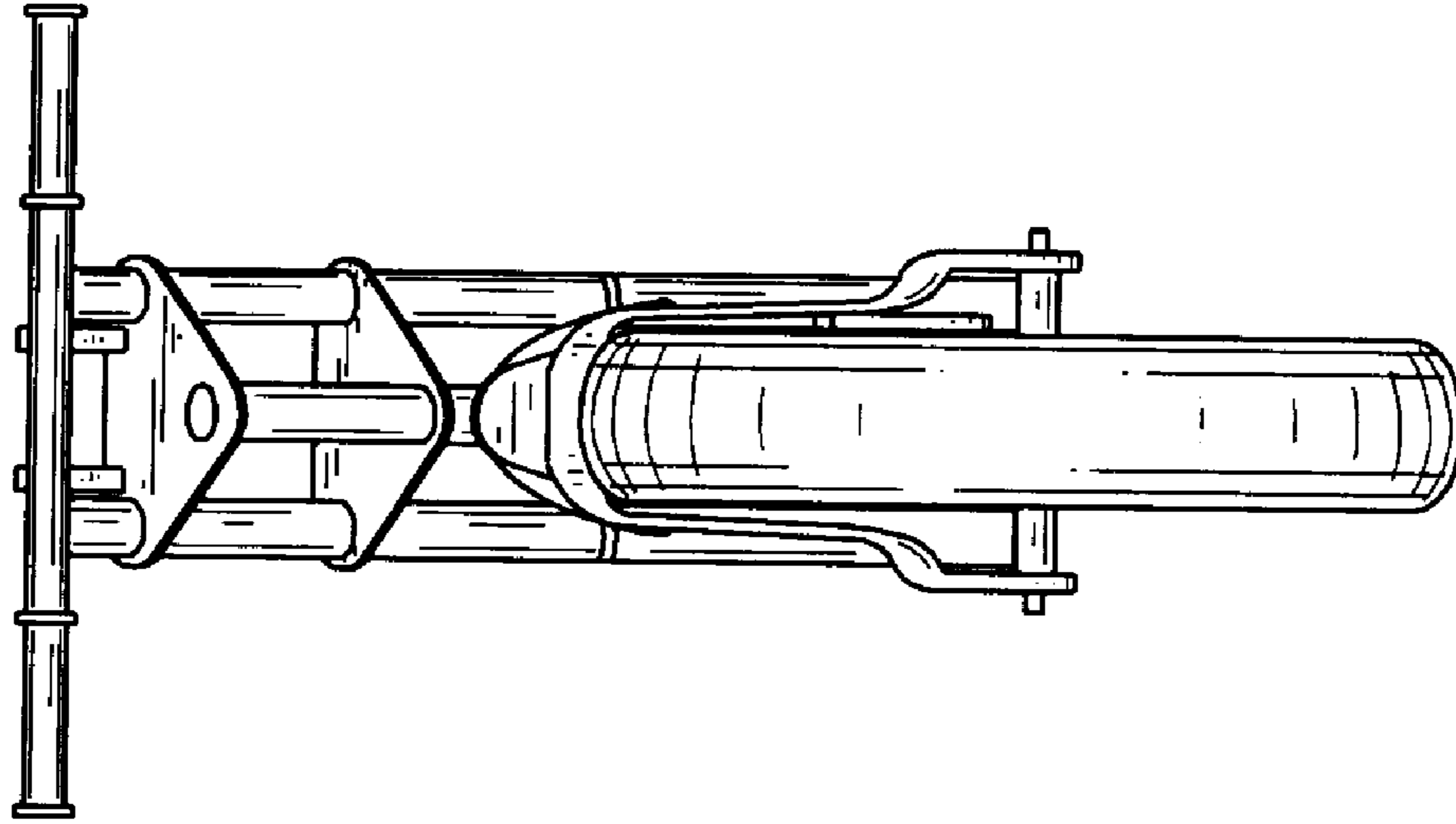


FIG. 7

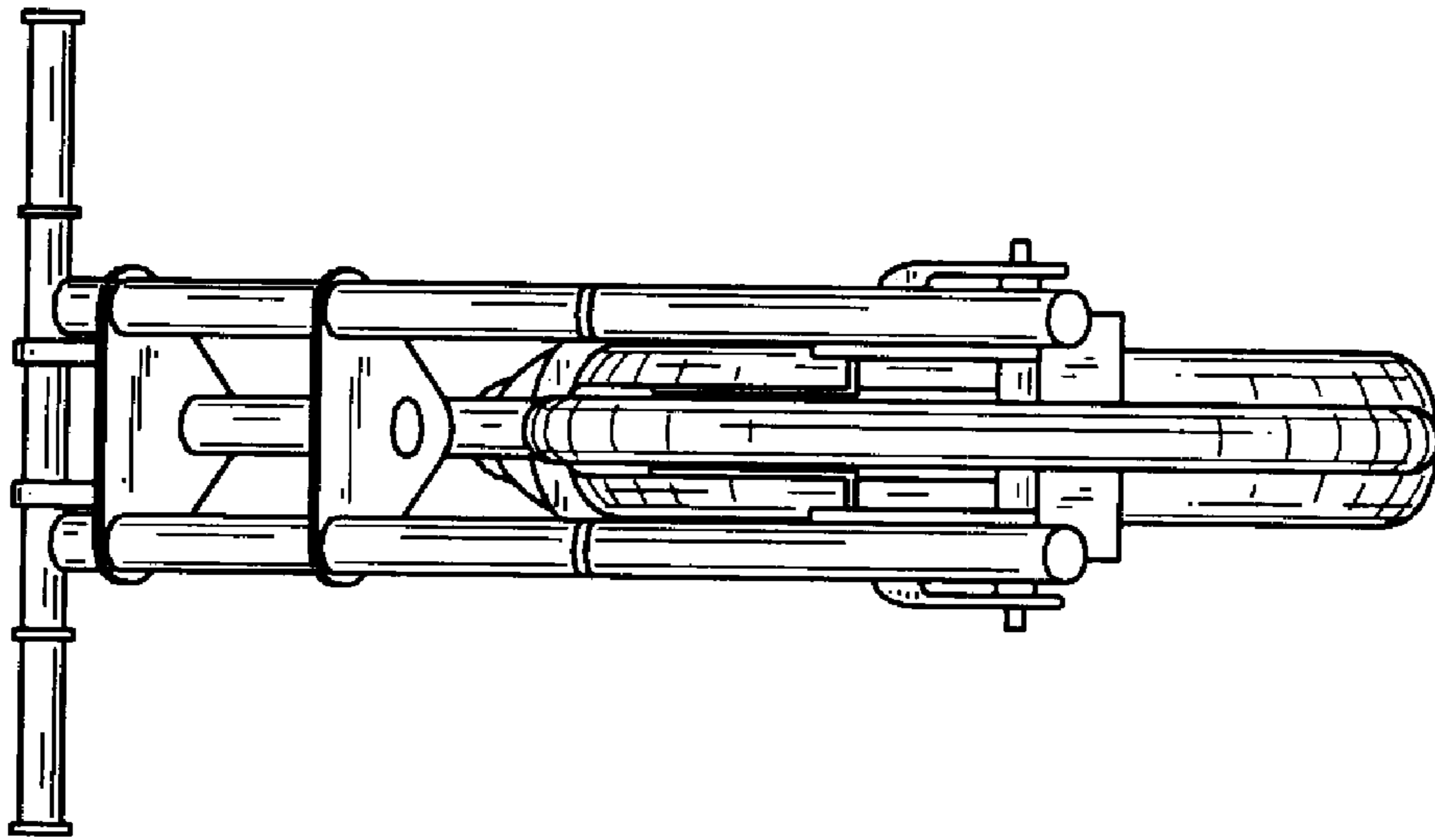


FIG. 6