

US00D508657S

(12) **United States Design Patent**
Belden, Jr.

(10) **Patent No.: US D508,657 S**

(45) **Date of Patent: ** Aug. 23, 2005**

(54) **THEFT DETERRENT DEVICE**

(75) Inventor: **Dennis D. Belden, Jr.**, Waxhaw, NC
(US)

(73) Assignee: **Alpha Security Products, Inc.**,
Charlotte, NC (US)

(**) Term: **14 Years**

(21) Appl. No.: **29/210,451**

(22) Filed: **Jul. 30, 2004**

(51) **LOC (8) Cl. 10-05**

(52) **U.S. Cl. D10/104; D10/106**

(58) **Field of Search D10/104, 106,**
D10/116; 340/571, 572.7, 572.8, 572.9,
573.4; 70/57.1, 18; 24/704.1

(56) **References Cited**

U.S. PATENT DOCUMENTS

4,726,207	A	*	2/1988	Gifford	70/420
4,881,386	A	*	11/1989	Glines	70/19
5,036,683	A	*	8/1991	Geuvjehizian	70/18
D361,502	S	*	8/1995	Shen	D8/343
D365,774	S	*	1/1996	Collins et al.	D10/106
D378,579	S	*	3/1997	Liu	D10/106
5,671,619	A	*	9/1997	Hou	70/209
5,806,350	A	*	9/1998	Savinsky	70/18
D426,168	S	*	6/2000	Adamczewski	D10/106

6,374,647	B1		4/2002	Holmgren	
D466,037	S	*	11/2002	Huehner et al.	D10/104
D474,417	S	*	5/2003	Belden et al.	D10/104
D476,010	S	*	6/2003	Tozaki et al.	D14/433
6,598,433	B1	*	7/2003	Malvasio	70/18
2003/0074934	A1	*	4/2003	Moreton	70/209
2004/0172988	A1		9/2004	Gorst	

* cited by examiner

Primary Examiner—Joel A. Sincavage

Assistant Examiner—Austin Murphy

(74) *Attorney, Agent, or Firm*—Sand & Scott

(57) **CLAIM**

The ornamental design for the theft deterrent device, as shown and described.

DESCRIPTION

FIG. 1 is a perspective view of the theft deterrent device showing my new design.

FIG. 2 is a front elevation view of FIG. 1.

FIG. 3 is a rear elevation view of FIG. 1.

FIG. 4 is a left side elevation view of FIG. 1.

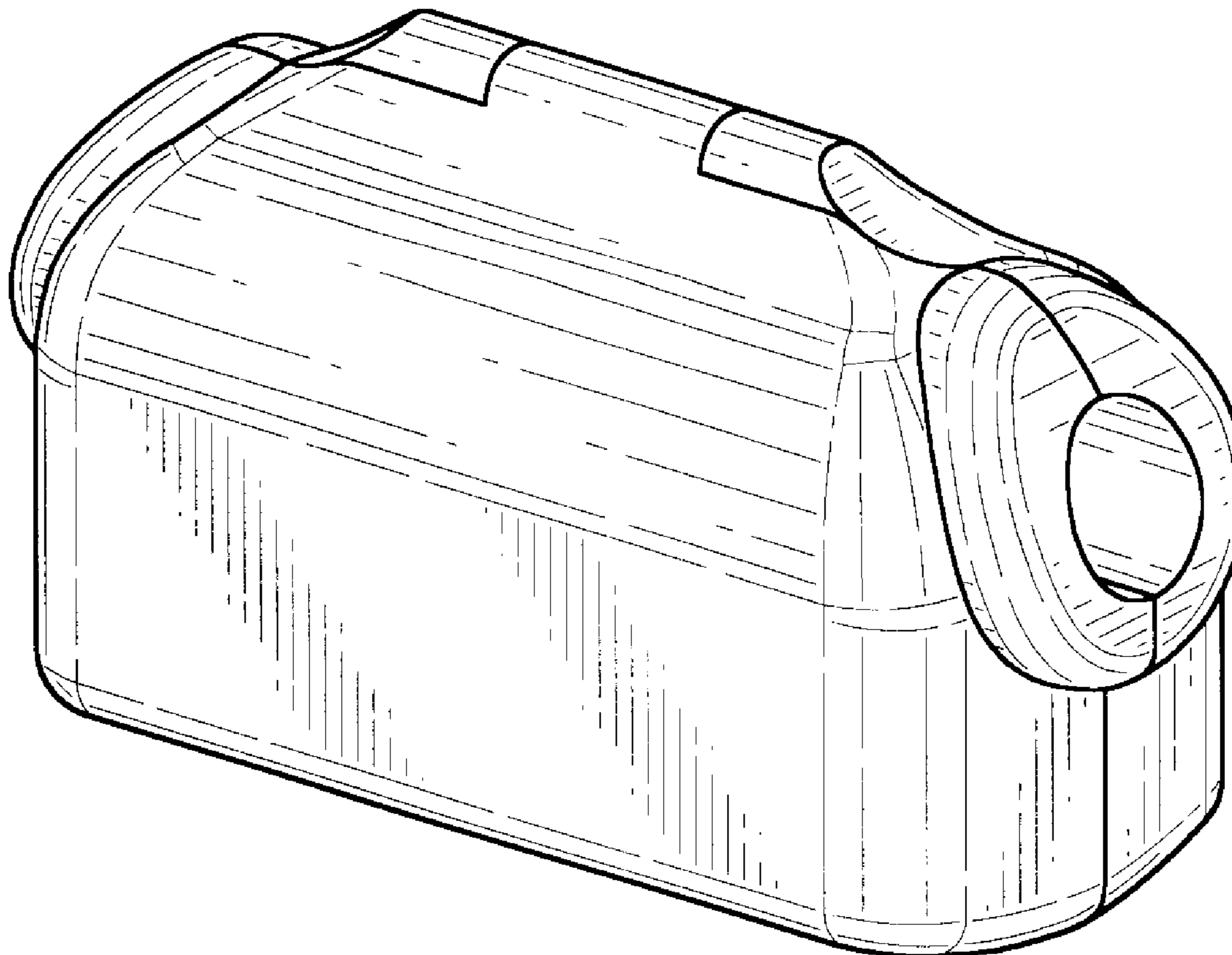
FIG. 5 is a right side elevation view of FIG. 1.

FIG. 6 is a top plan view of FIG. 1; and,

FIG. 7 is a bottom plan view of FIG. 1.

The broken lines are for illustrative purposes and form no part of the claimed invention.

1 Claim, 2 Drawing Sheets



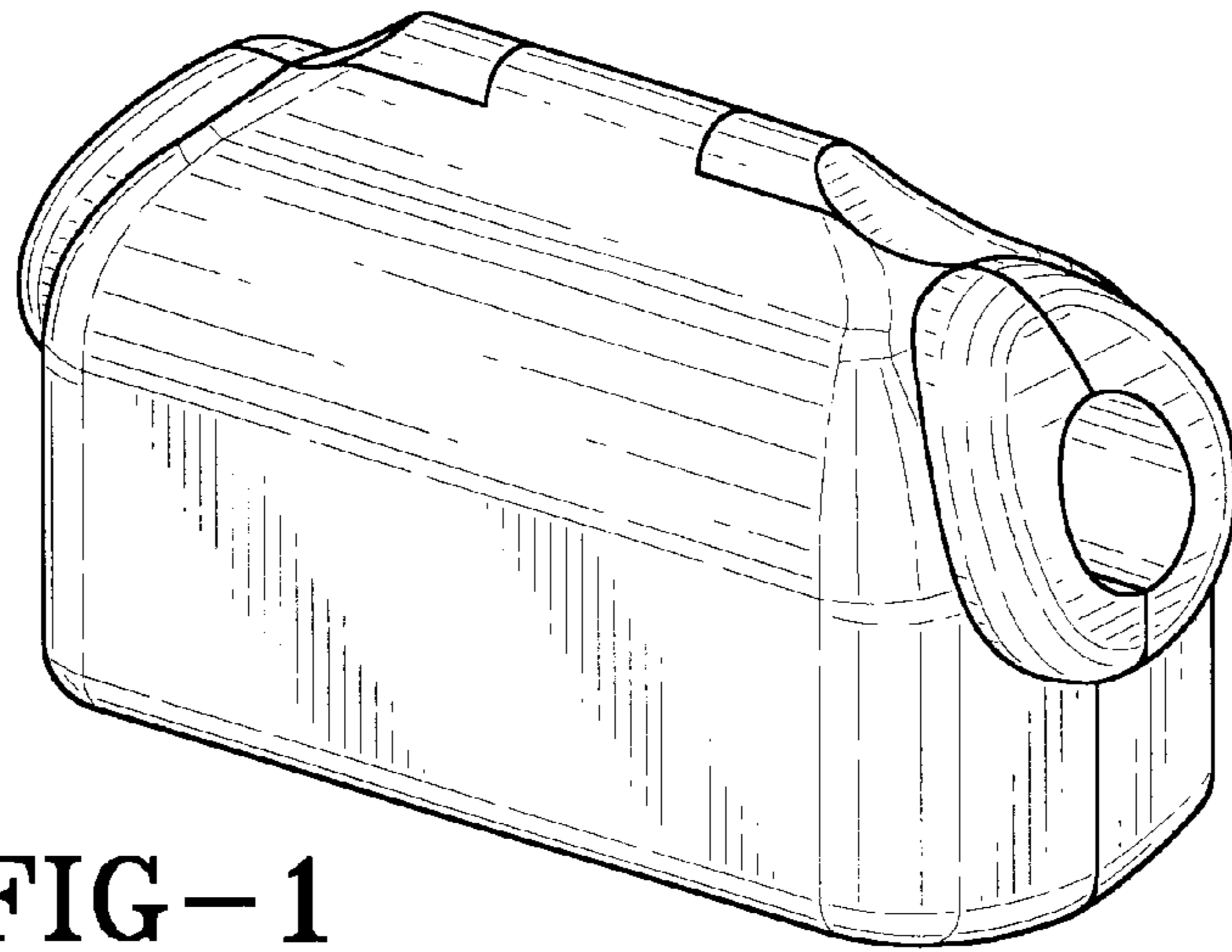


FIG-1

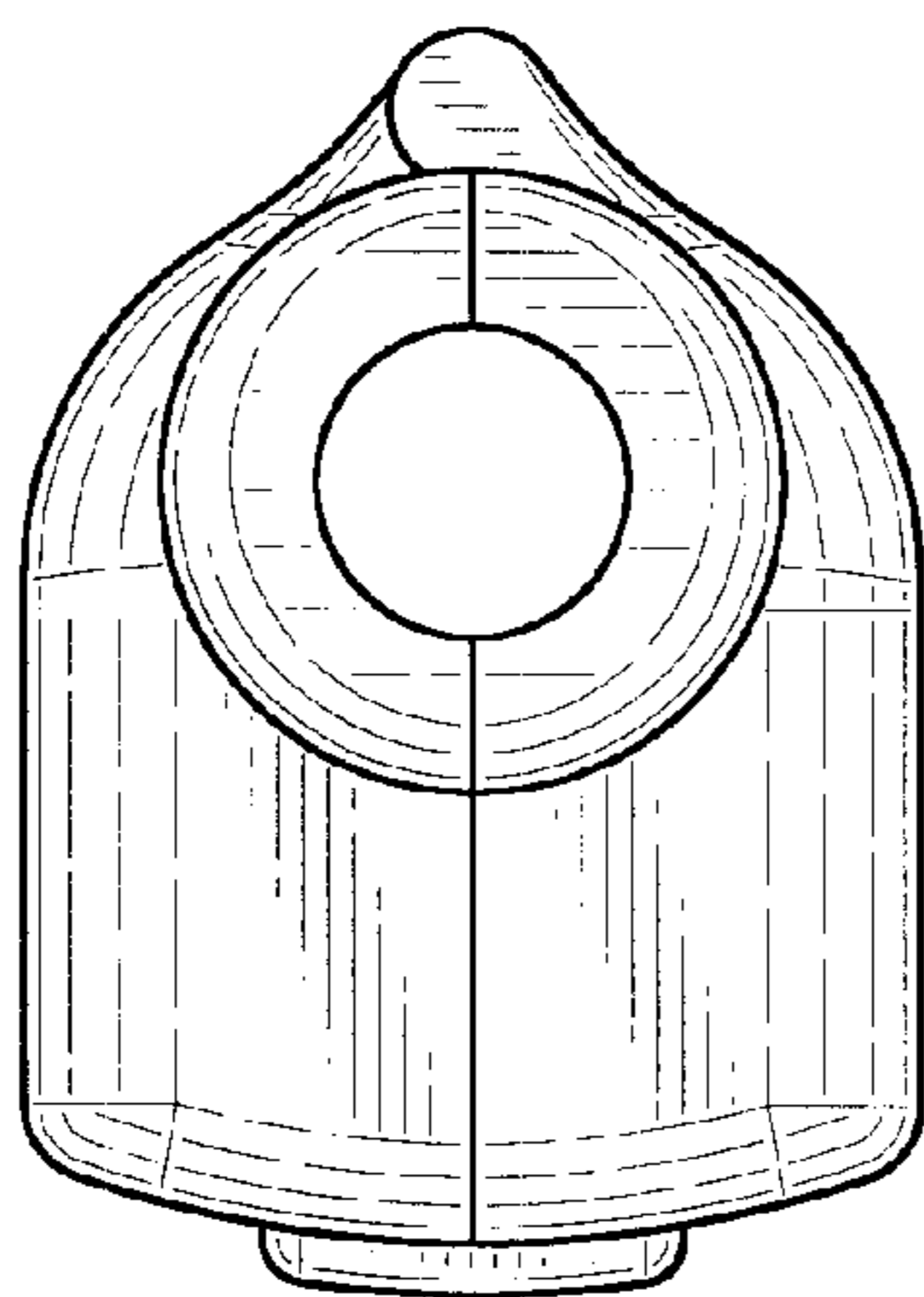


FIG-2

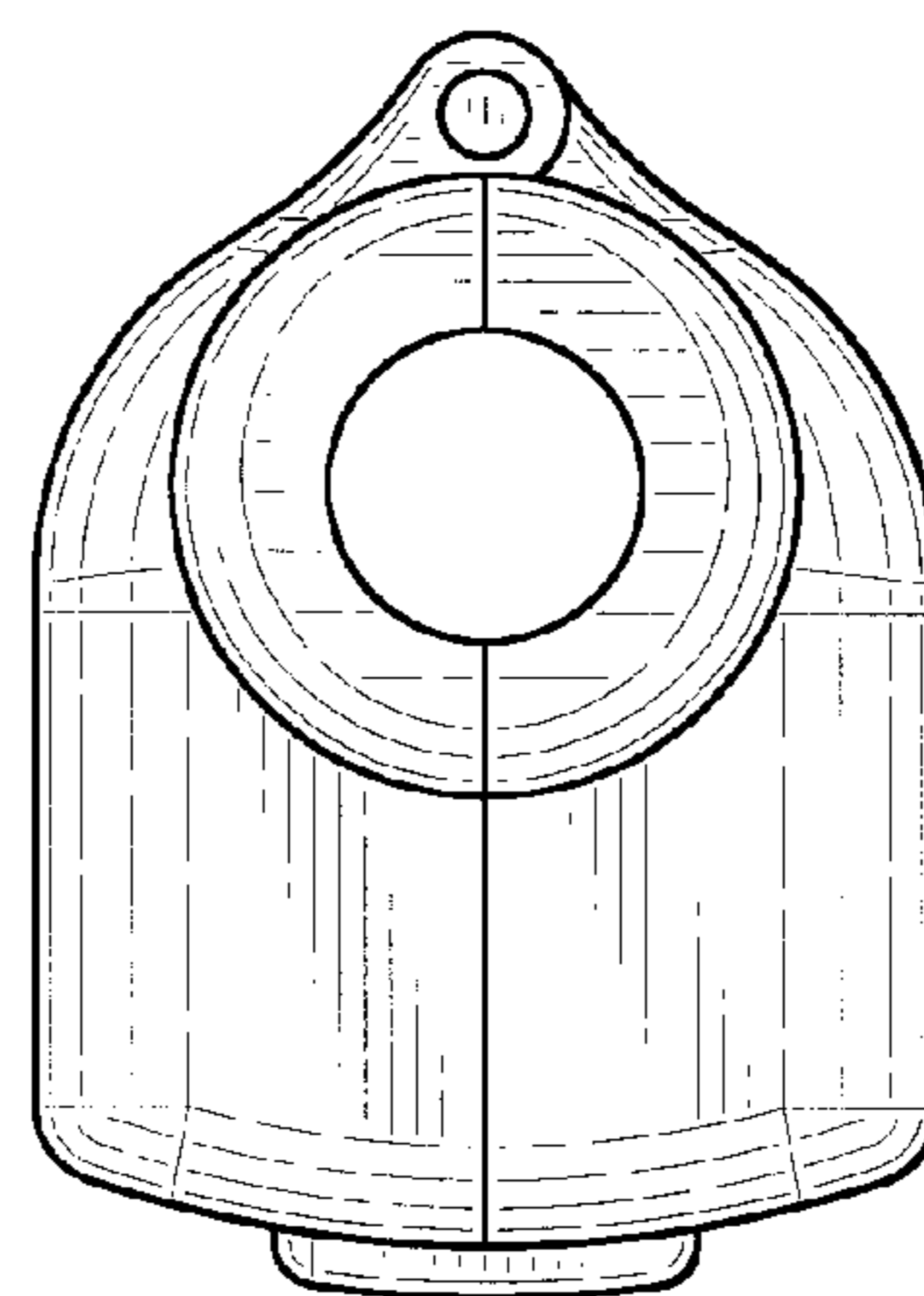


FIG-3

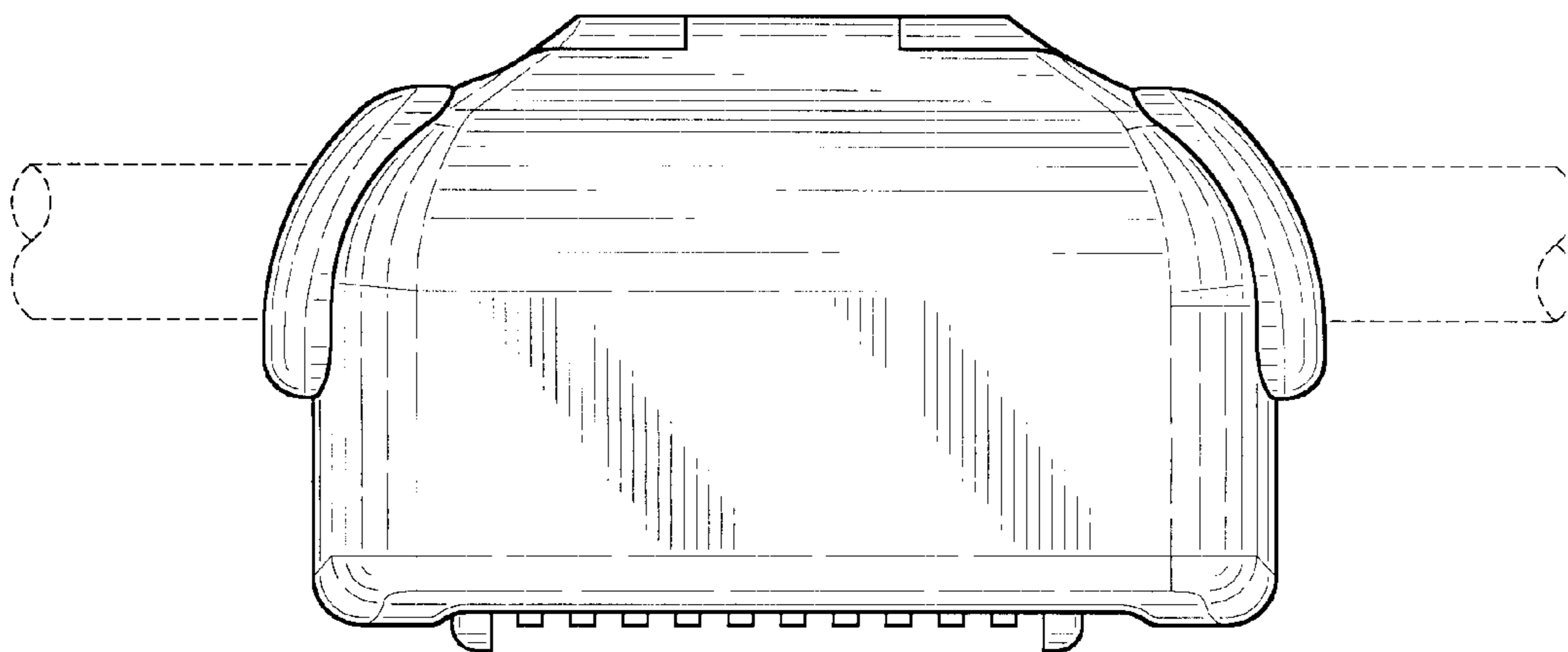


FIG-4

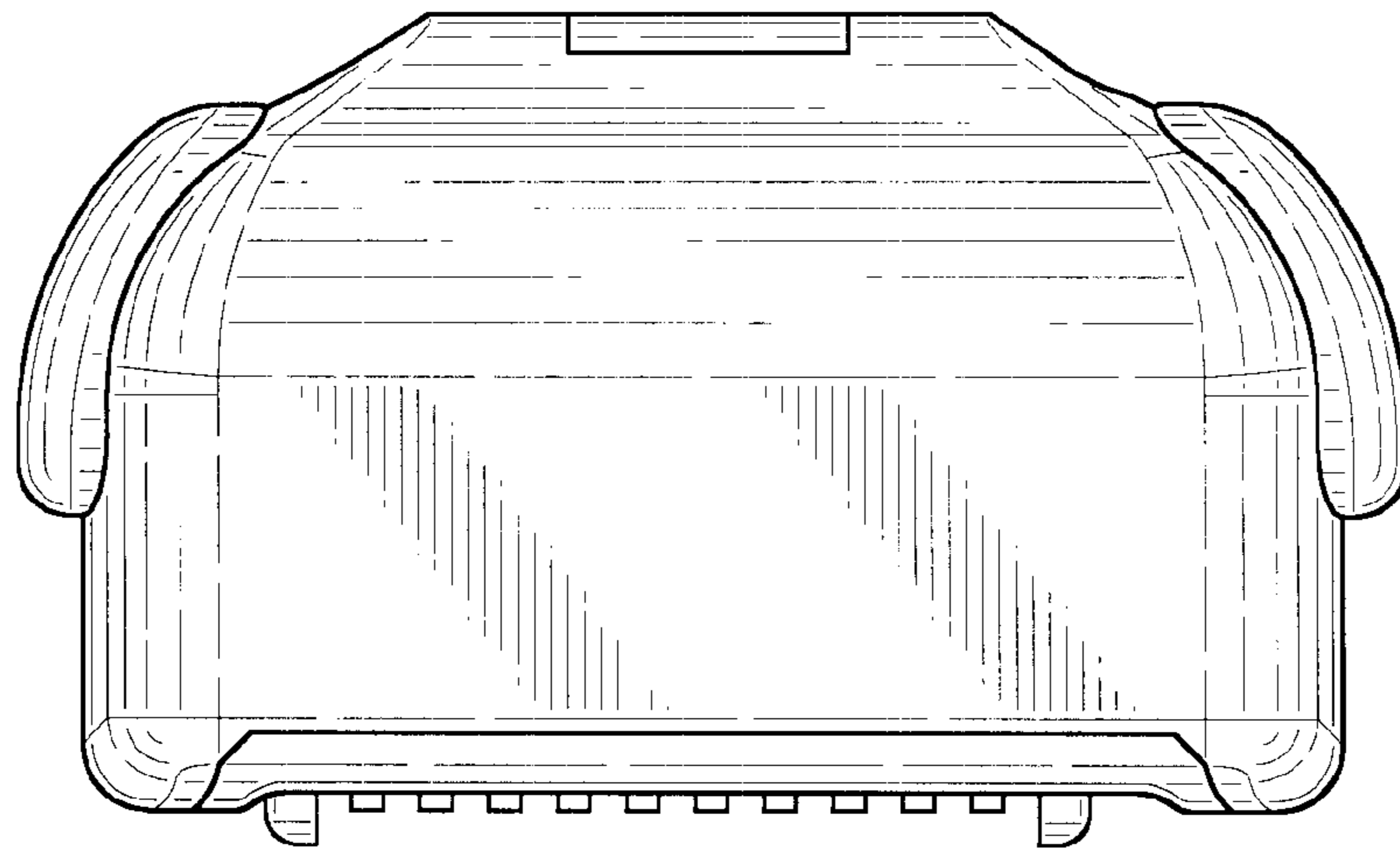


FIG-5

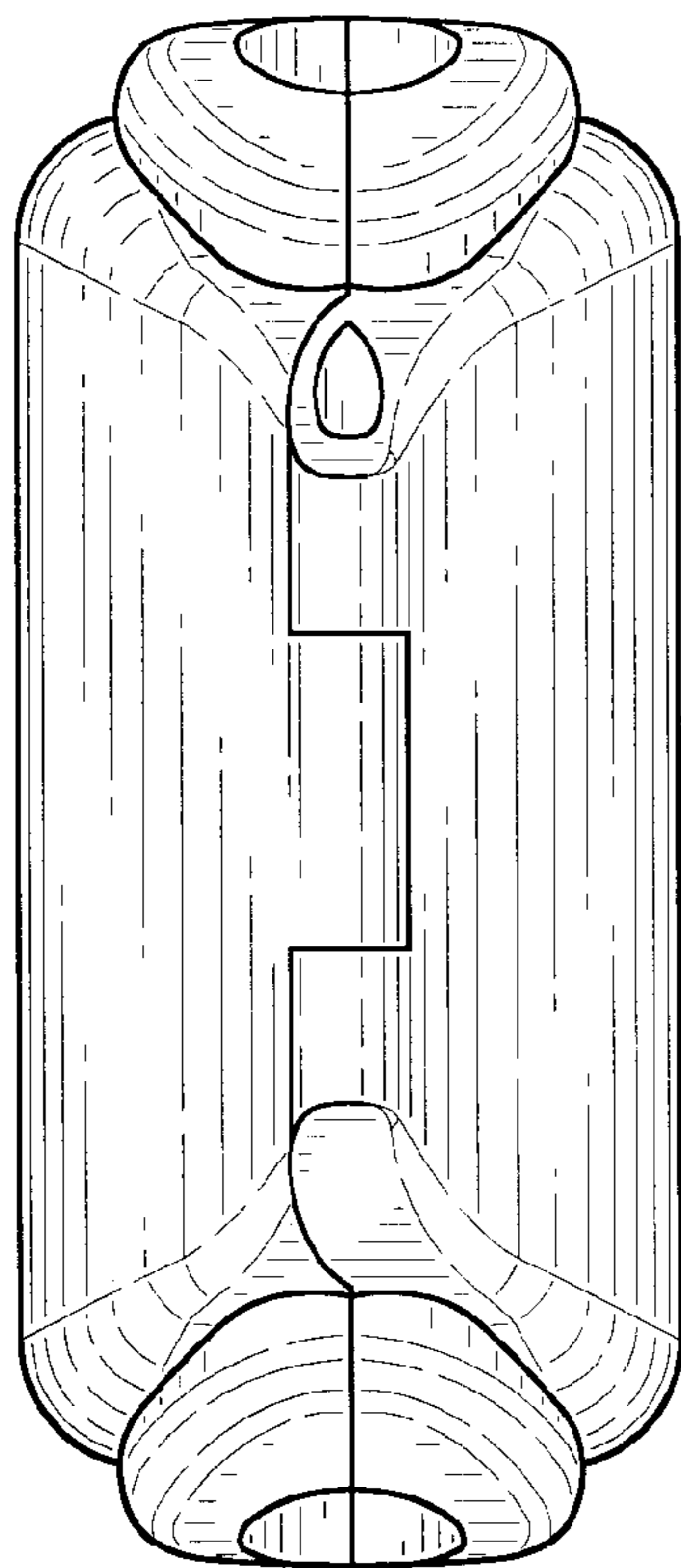


FIG-6

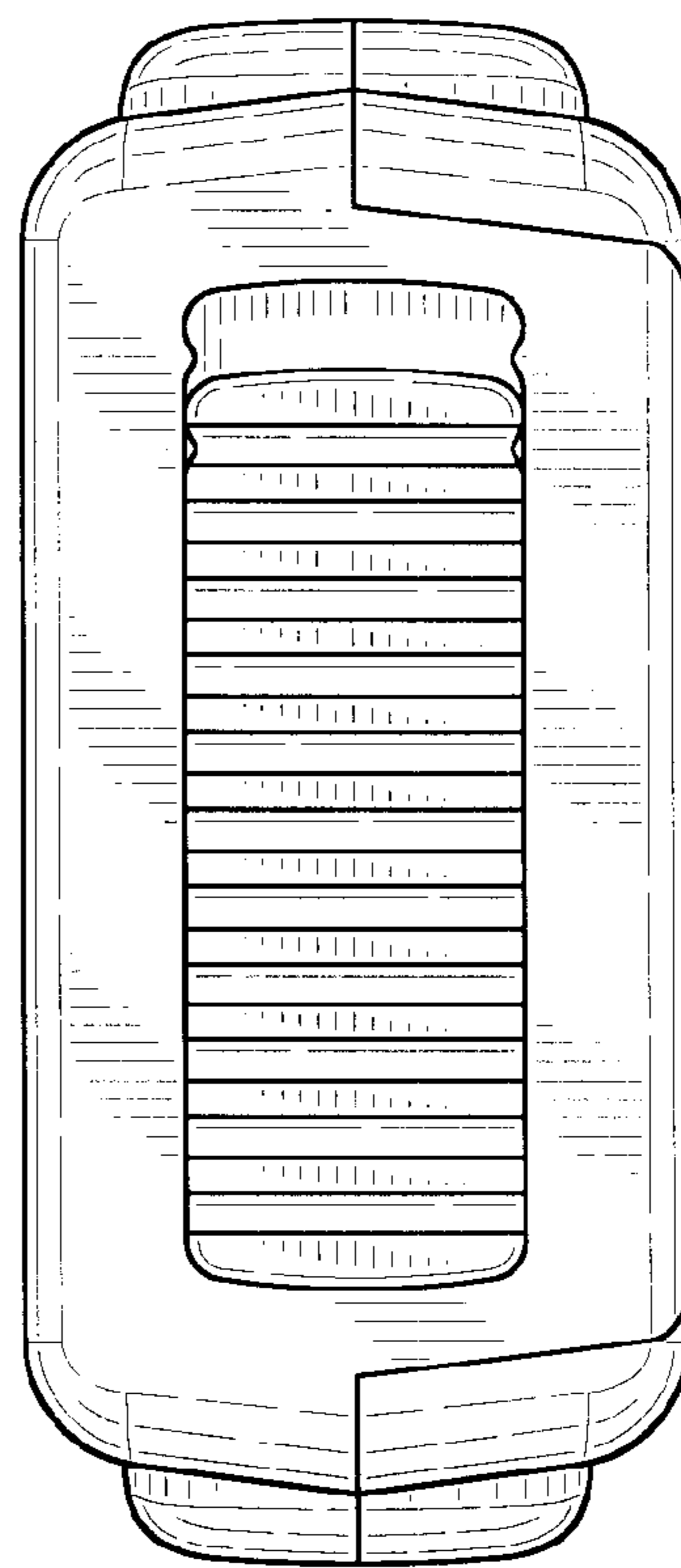


FIG-7