

US00D508656S

(12) **United States Design Patent**
Kaczmarek

(10) **Patent No.:** **US D508,656 S**

(45) **Date of Patent:** **** Aug. 23, 2005**

(54) **REMOTE INDICATOR**

(75) **Inventor:** **Wolfgang Kaczmarek, Schwindegg (DE)**

(73) **Assignee:** **BSH Bosch und Siemens Hausgerate GmbH, Munich (DE)**

(**) **Term:** **14 Years**

(21) **Appl. No.:** **29/183,251**

(22) **Filed:** **Jun. 9, 2003**

(51) **LOC (8) Cl.** **10-05**

(52) **U.S. Cl.** **D10/104; D10/40; D20/20; D26/26**

(58) **Field of Search** D10/40, 102-104, D10/30-39; D20/20; D26/26; 368/10, 99-121, 280-282, 276-277, 285, 293-294; 340/679, 660, 533, 539.14, 585, 311.2

(56) **References Cited**

U.S. PATENT DOCUMENTS

D143,319 S	*	12/1945	Holley	D10/129
D186,550 S	*	11/1959	Saint-Amour	D10/75
D215,658 S	*	10/1969	Dolan	D10/75
D294,180 S	*	2/1988	Johnson et al.	D26/93
5,089,809 A	*	2/1992	Carmichael, Jr.	340/679
5,357,487 A	*	10/1994	Coleman, III	368/10
D359,003 S	*	6/1995	Davis et al.	D10/40

5,680,445 A	*	10/1997	Bogner et al.	379/106.01
D397,305 S	*	8/1998	Miller	D10/102
6,157,313 A	*	12/2000	Emmermann	340/5.42
6,424,252 B1	*	7/2002	Adler	340/311.2
6,636,458 B1	*	10/2003	Uptegraph	368/88
6,784,801 B2	*	8/2004	Watanabe et al.	340/679

* cited by examiner

Primary Examiner—Nelson C. Holtje

(74) *Attorney, Agent, or Firm*—John T. Winburn; Russell W. Warnack; Craig J. Loest

(57) **CLAIM**

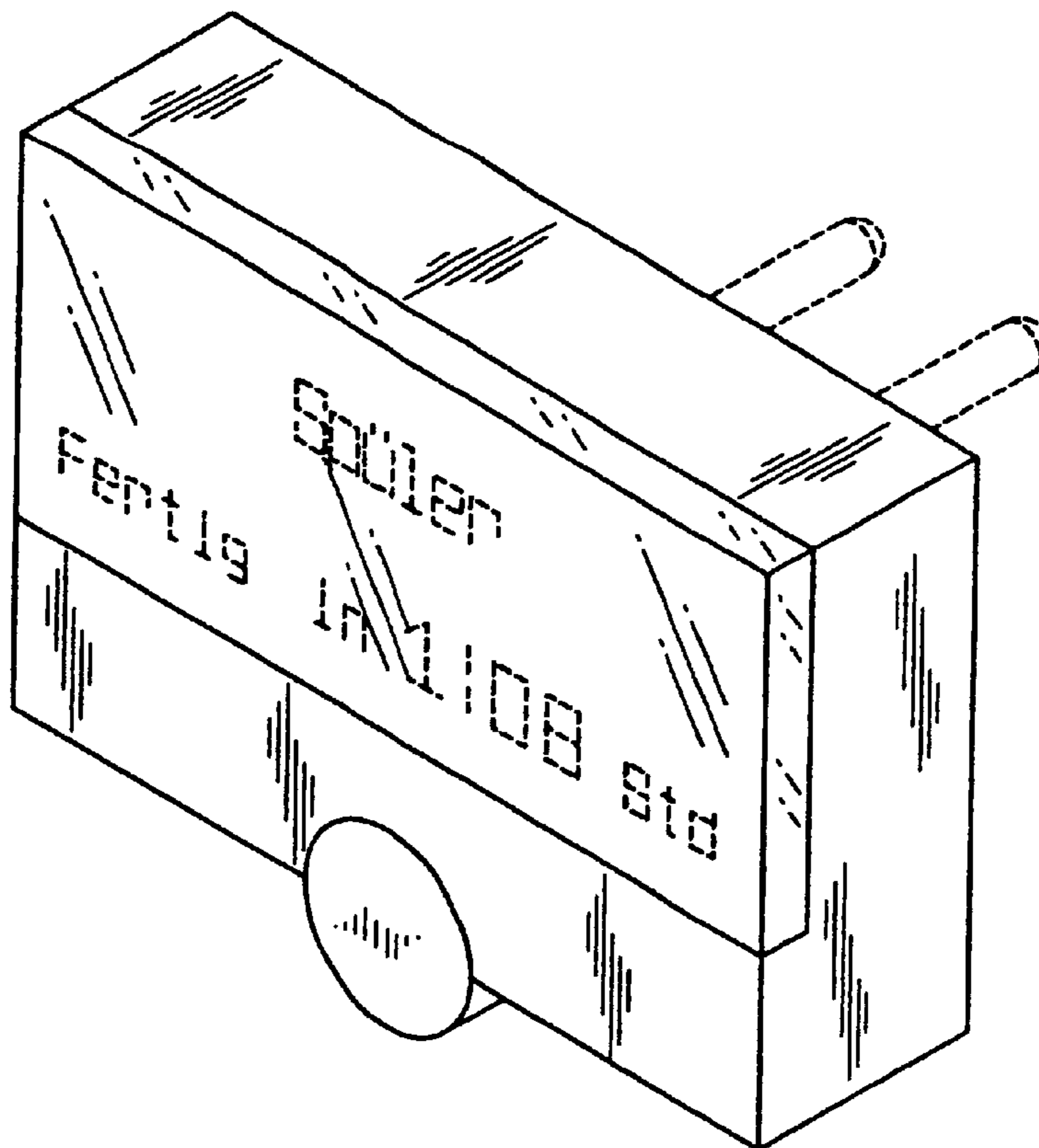
The ornamental design for a remote indicator, as shown and described.

DESCRIPTION

FIG. 1 is a front perspective view of the remote indicator according to my new design; FIG. 2 is a rear perspective view thereof; FIG. 3 is a rear side view thereof; FIG. 4 is a top side view thereof; FIG. 5 is a bottom side view thereof; and, FIG. 6 is a left side view thereof, the right side view being a mirror image.

The broken line showings of indicia and plug ends are for illustrative purposes only and form no part of the claimed design.

1 Claim, 3 Drawing Sheets



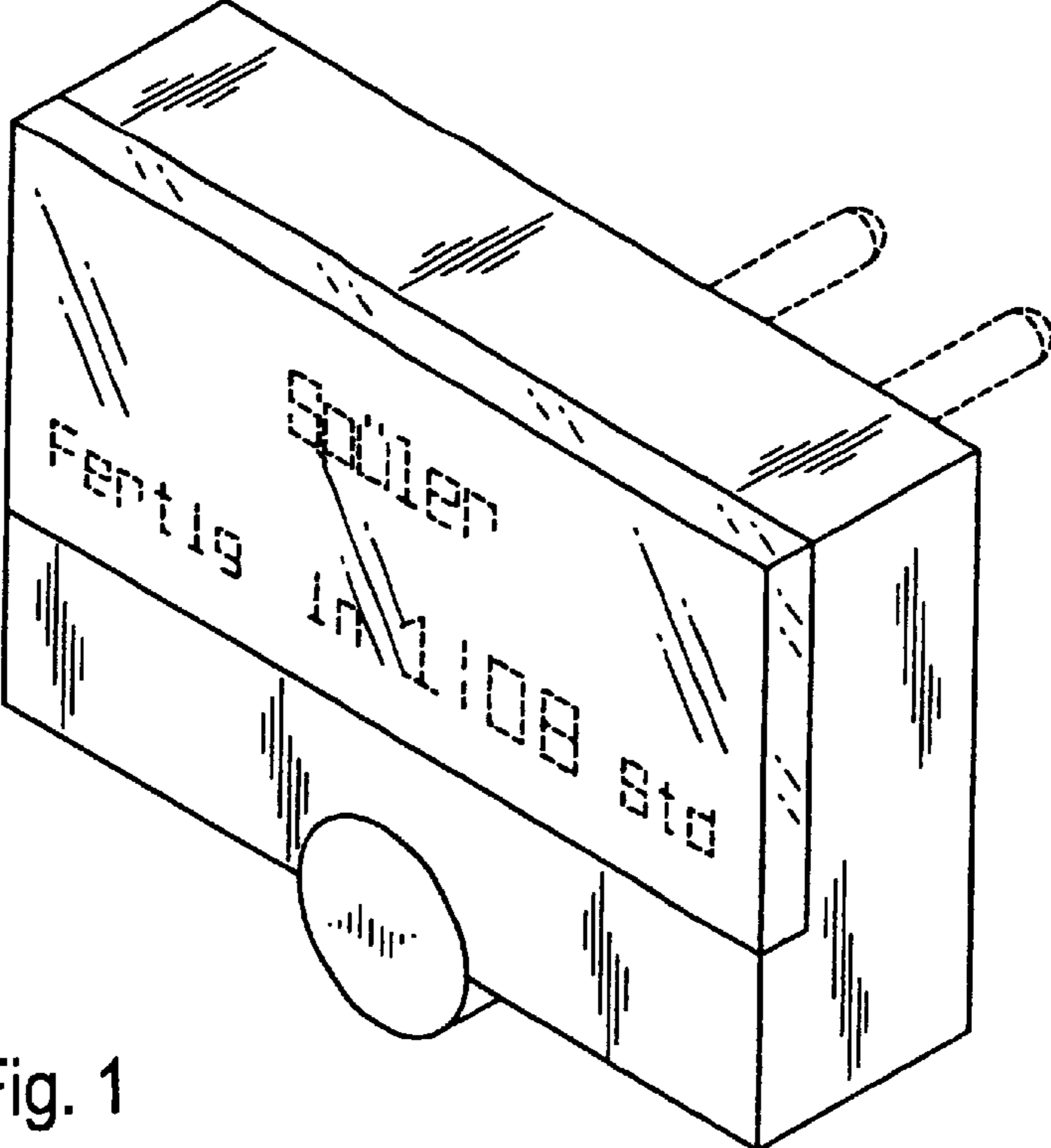


Fig. 1

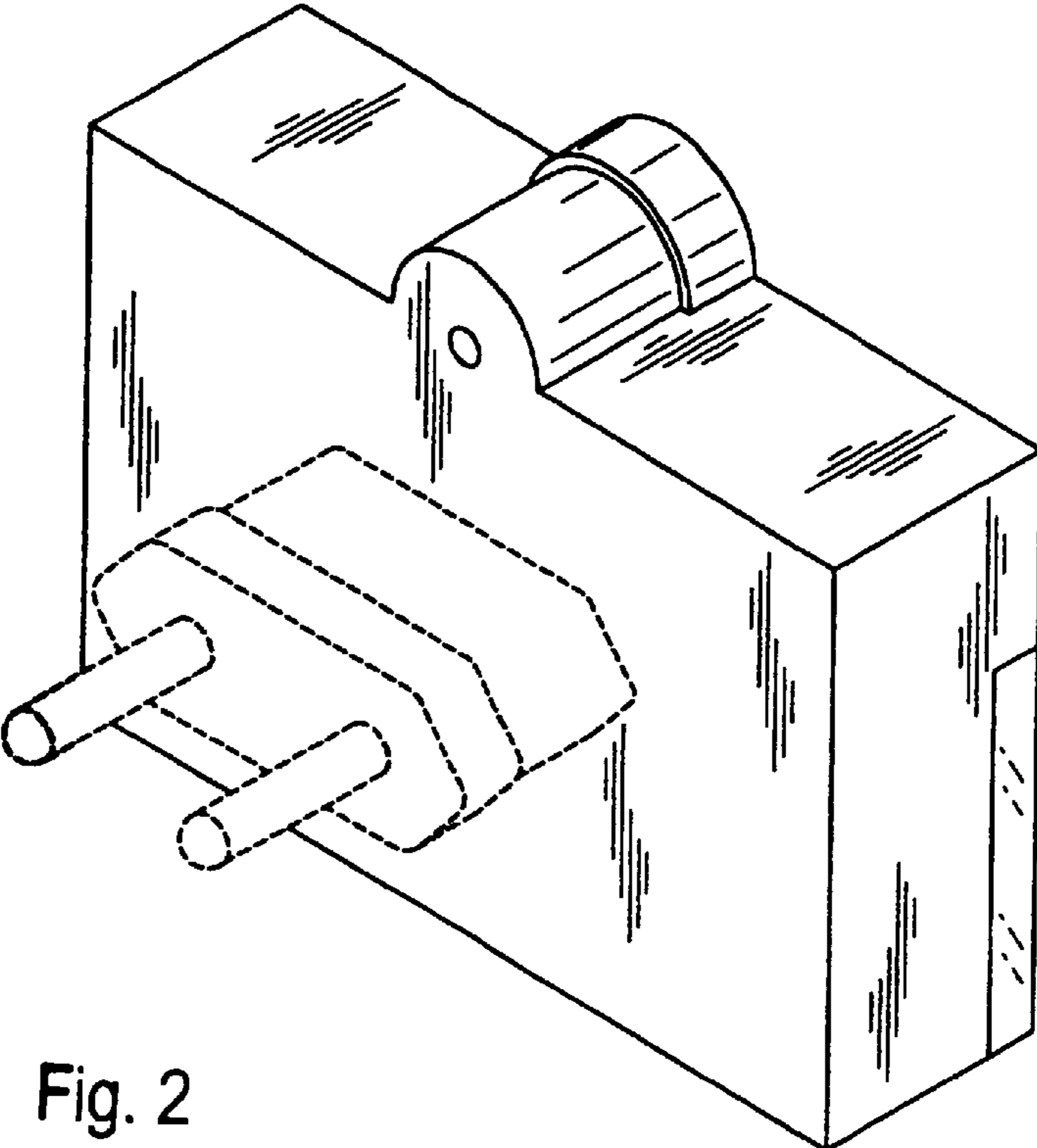


Fig. 2

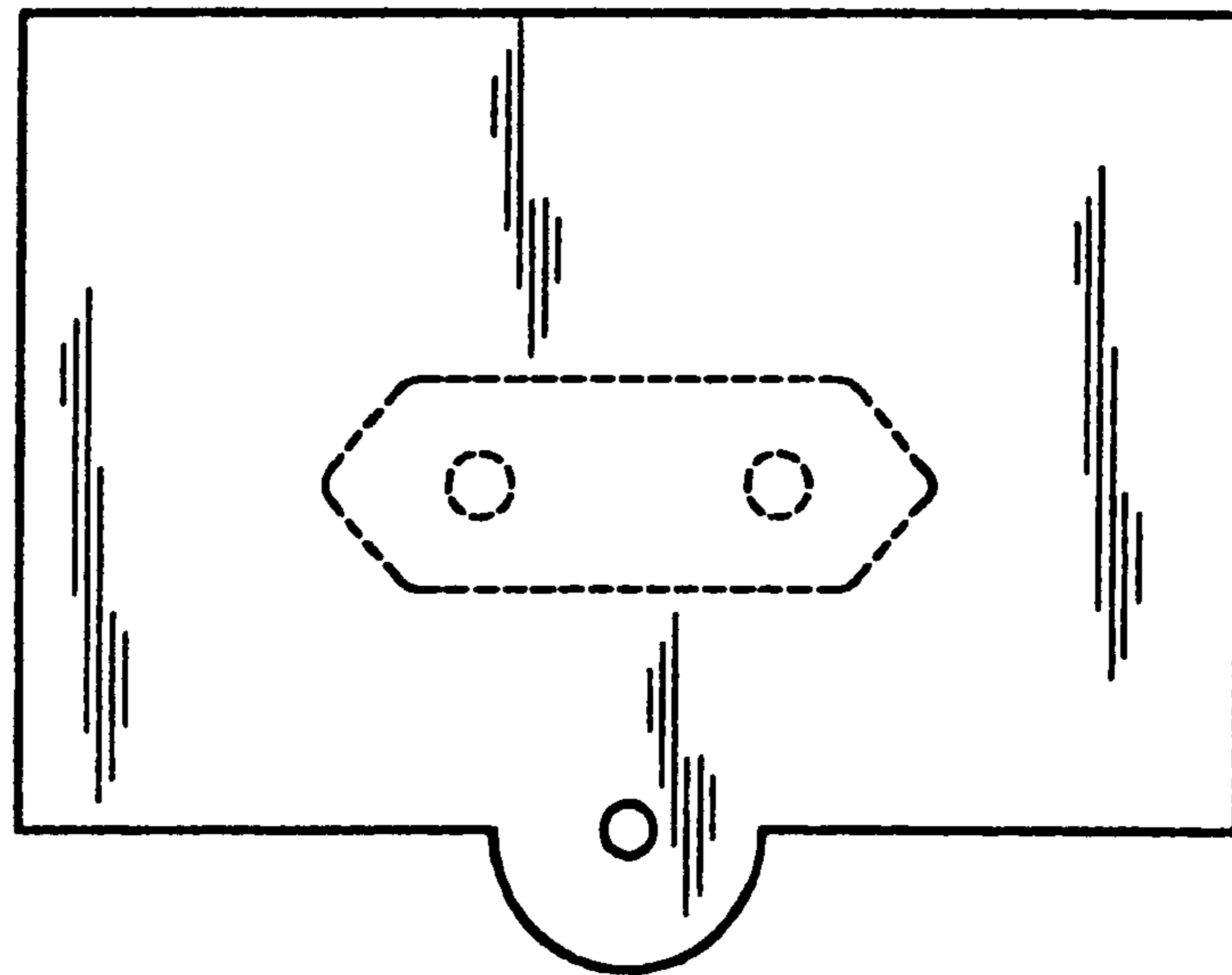


Fig. 3

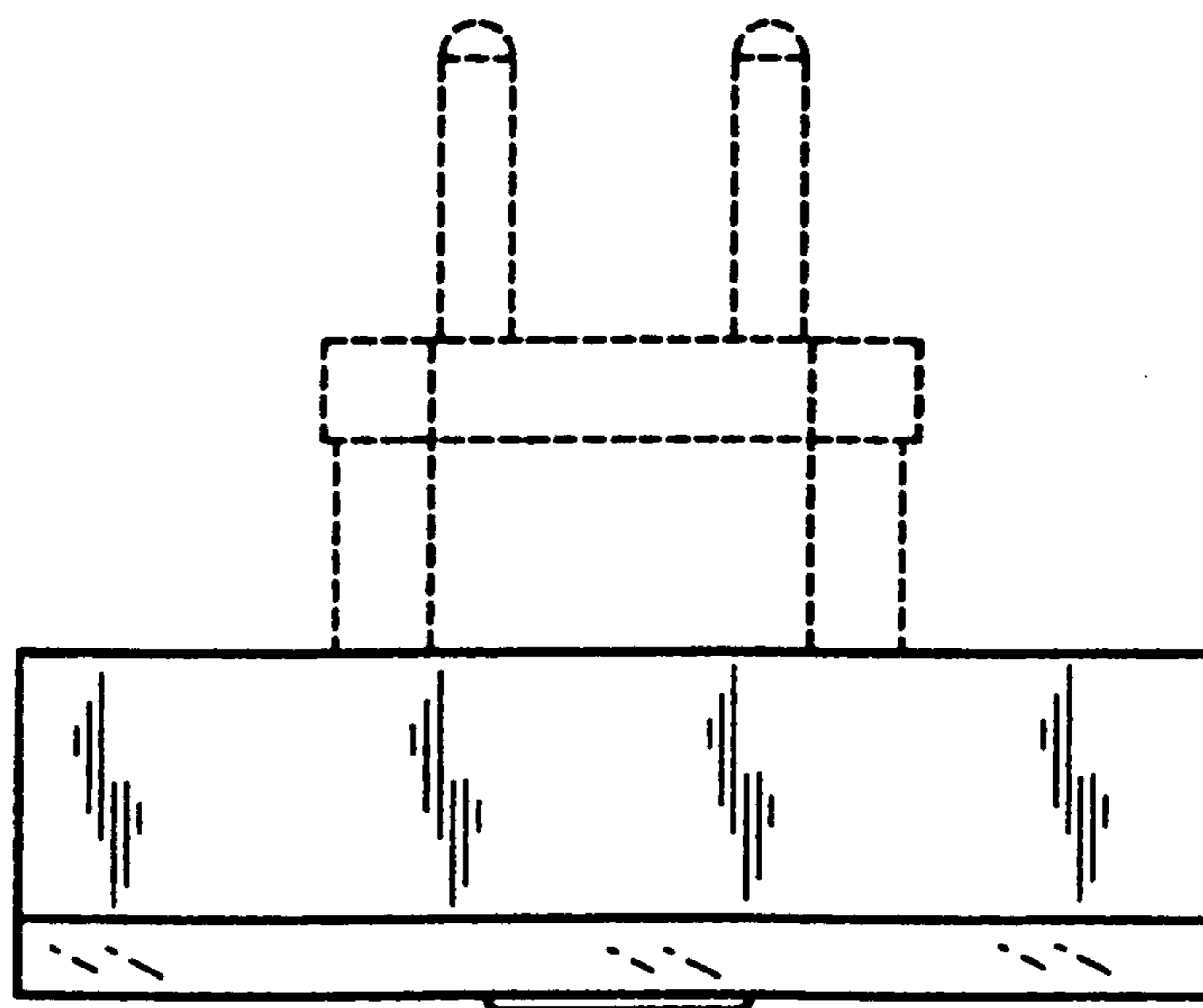


Fig. 4

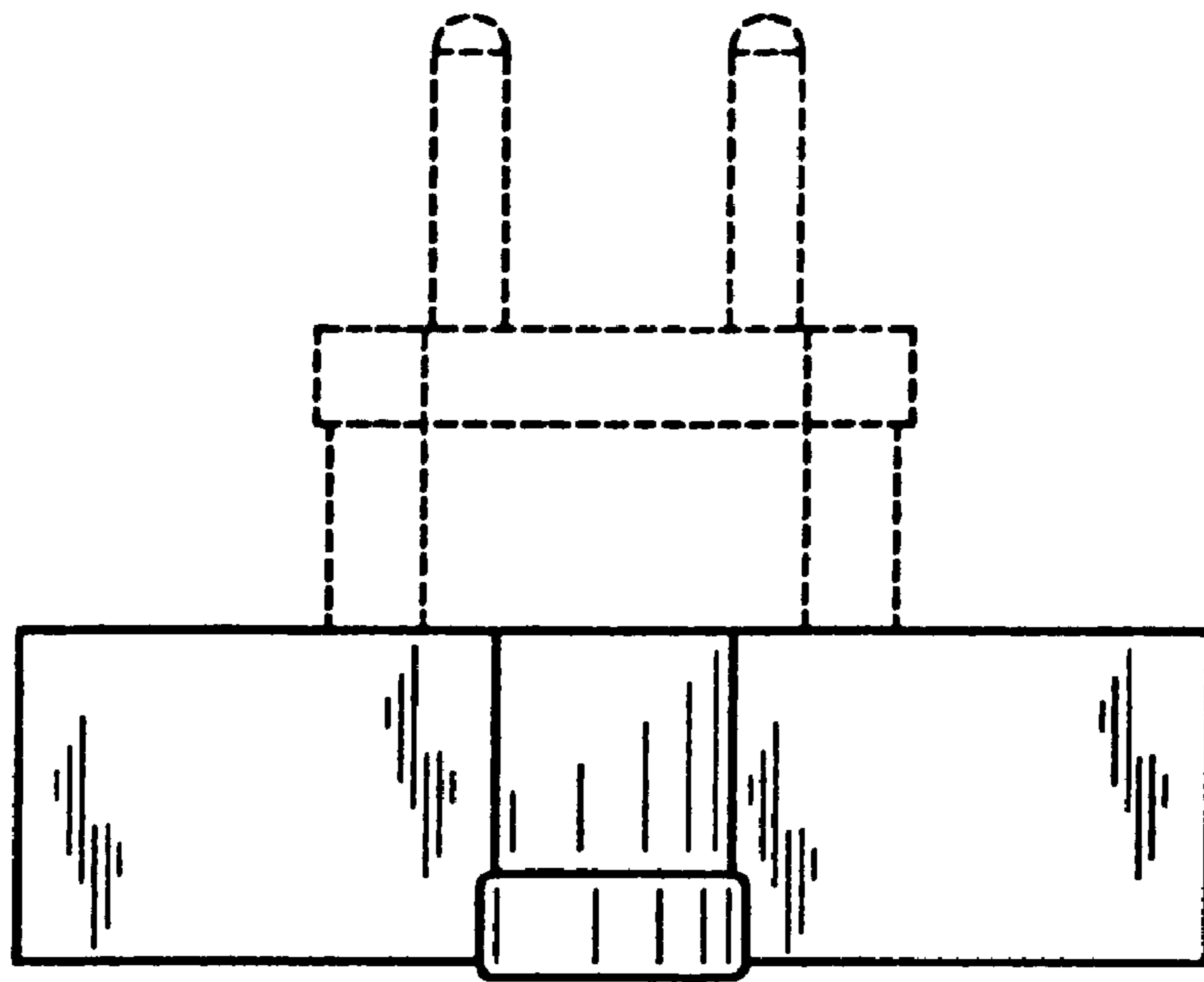


Fig. 5

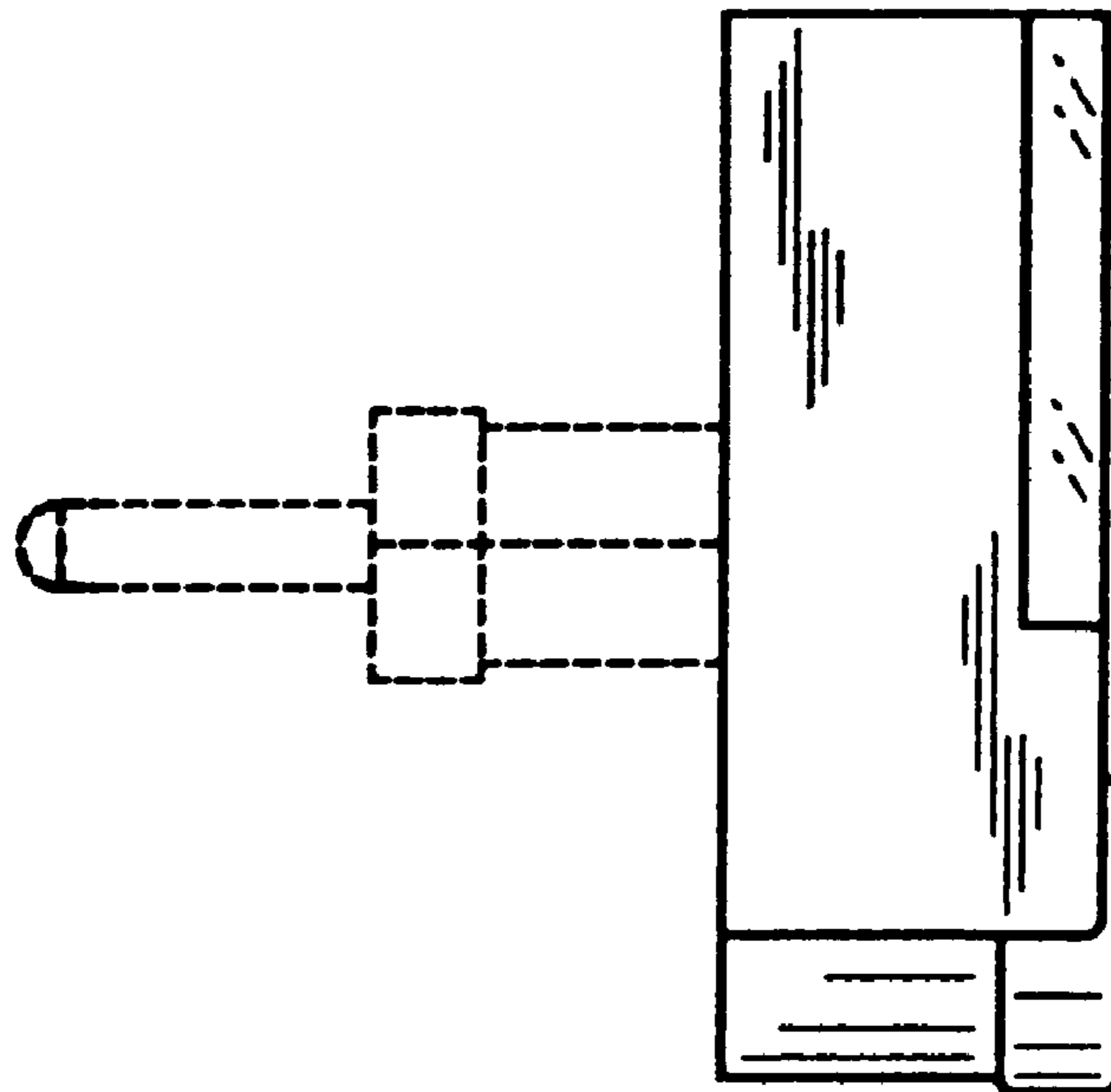


Fig. 6