

US00D508646S

(12) **United States Design Patent**
Gates et al.

(10) **Patent No.:** **US D508,646 S**
(45) **Date of Patent:** **** Aug. 23, 2005**

(54) **WALL SHELF BRACKET**

(75) **Inventors:** **Fred Gates**, El Camino Village, CA (US); **Terry L. Burdick**, Seal Beach, CA (US)

(73) **Assignee:** **Cambro Manufacturing Company**, Huntington Beach, CA (US)

(**) **Term:** **14 Years**

(21) **Appl. No.:** **29/217,648**

(22) **Filed:** **Nov. 19, 2004**

(51) **LOC (8) Cl.** **08-05**

(52) **U.S. Cl.** **D8/381**

(58) **Field of Search** D8/380-381, 373; 248/235, 237, 243, 245, 247; 211/90.03

(56) **References Cited**

U.S. PATENT DOCUMENTS

D369,293 S * 4/1996 Gusdorf et al. D8/381
D485,109 S * 1/2004 Oberhaus D6/574

OTHER PUBLICATIONS

AU 131575 S (Geoffrey Paul Klem et al) Oct. 1, 1998, [online] [retrieved on Feb. 17, 2005], Retrieved from: Australian patent database.*

* cited by examiner

Primary Examiner—Holly Baynham

(74) *Attorney, Agent, or Firm*—George F. Bethel

(57) **CLAIM**

We claim the ornamental design for a wall shelf bracket, as shown and described.

DESCRIPTION

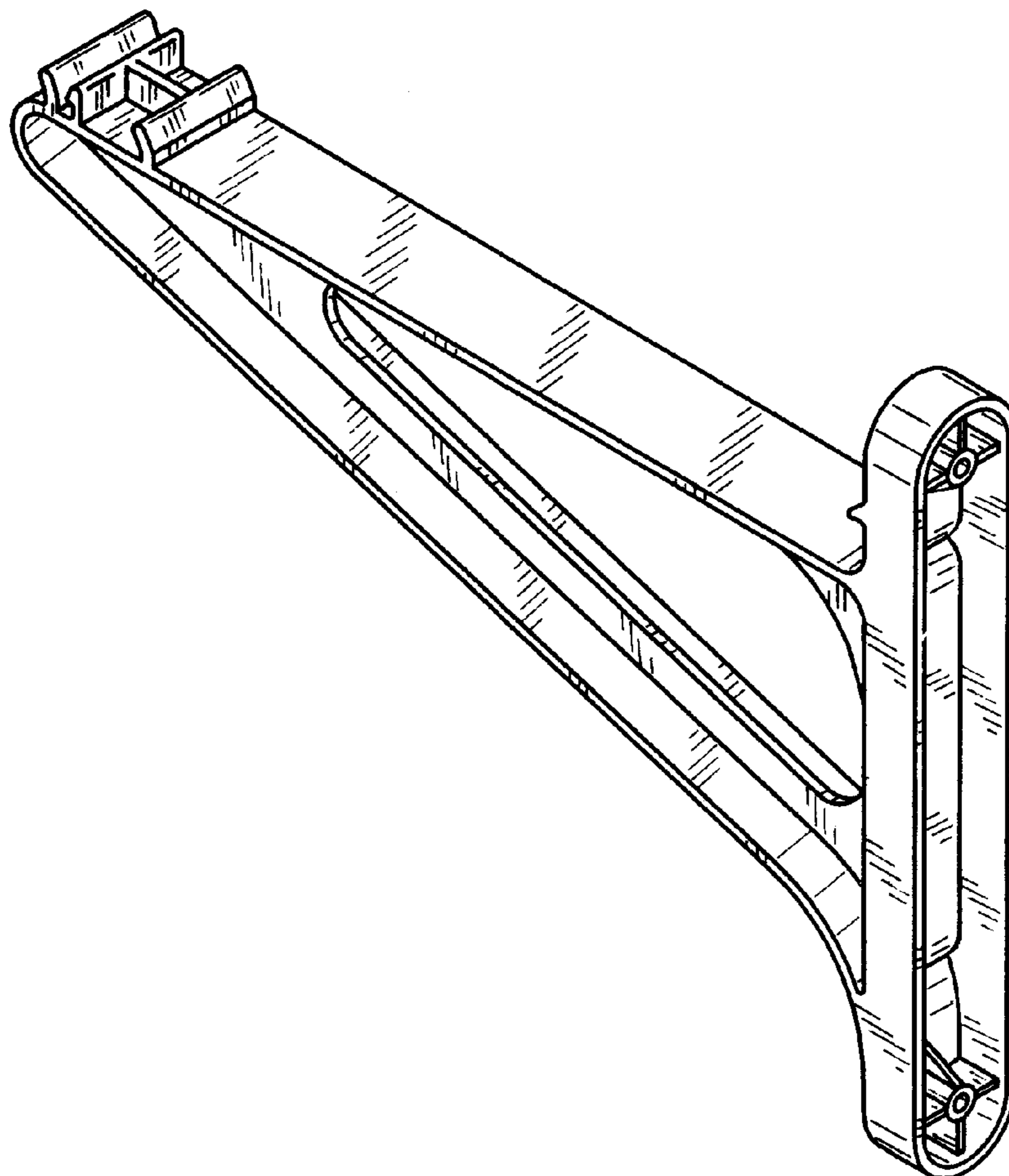
FIG. 1 shows a perspective view of the design for a wall shelf bracket.

FIG. 2 is an end elevation view looking from the right-hand side of FIG. 1.

FIG. 3 shows a side elevation looking from the opposite of FIG. 1; and,

FIG. 4 shows a bottom plan view looking upwardly from the bottom of FIG. 1.

1 Claim, 1 Drawing Sheet



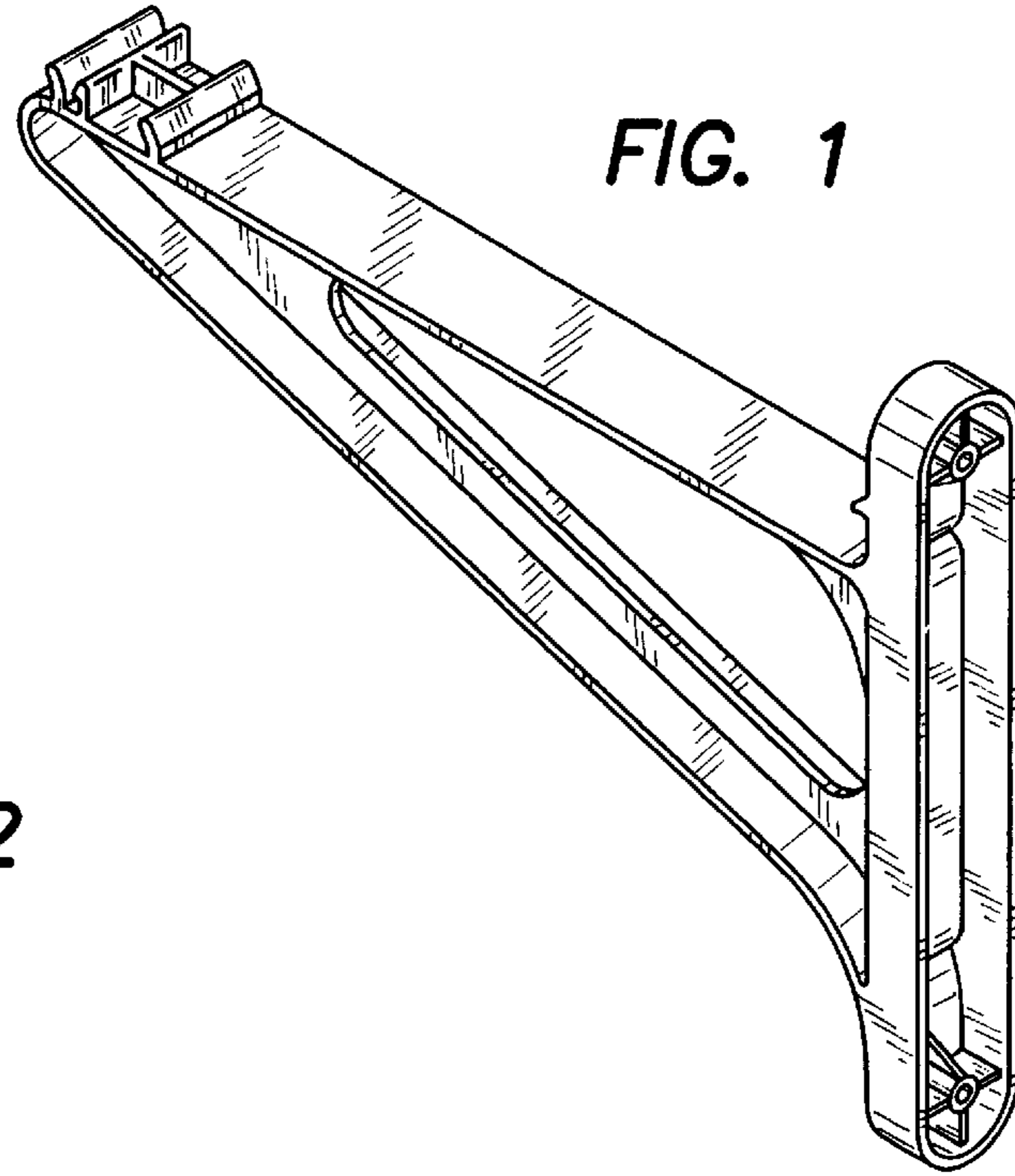


FIG. 1



FIG. 2



FIG. 4

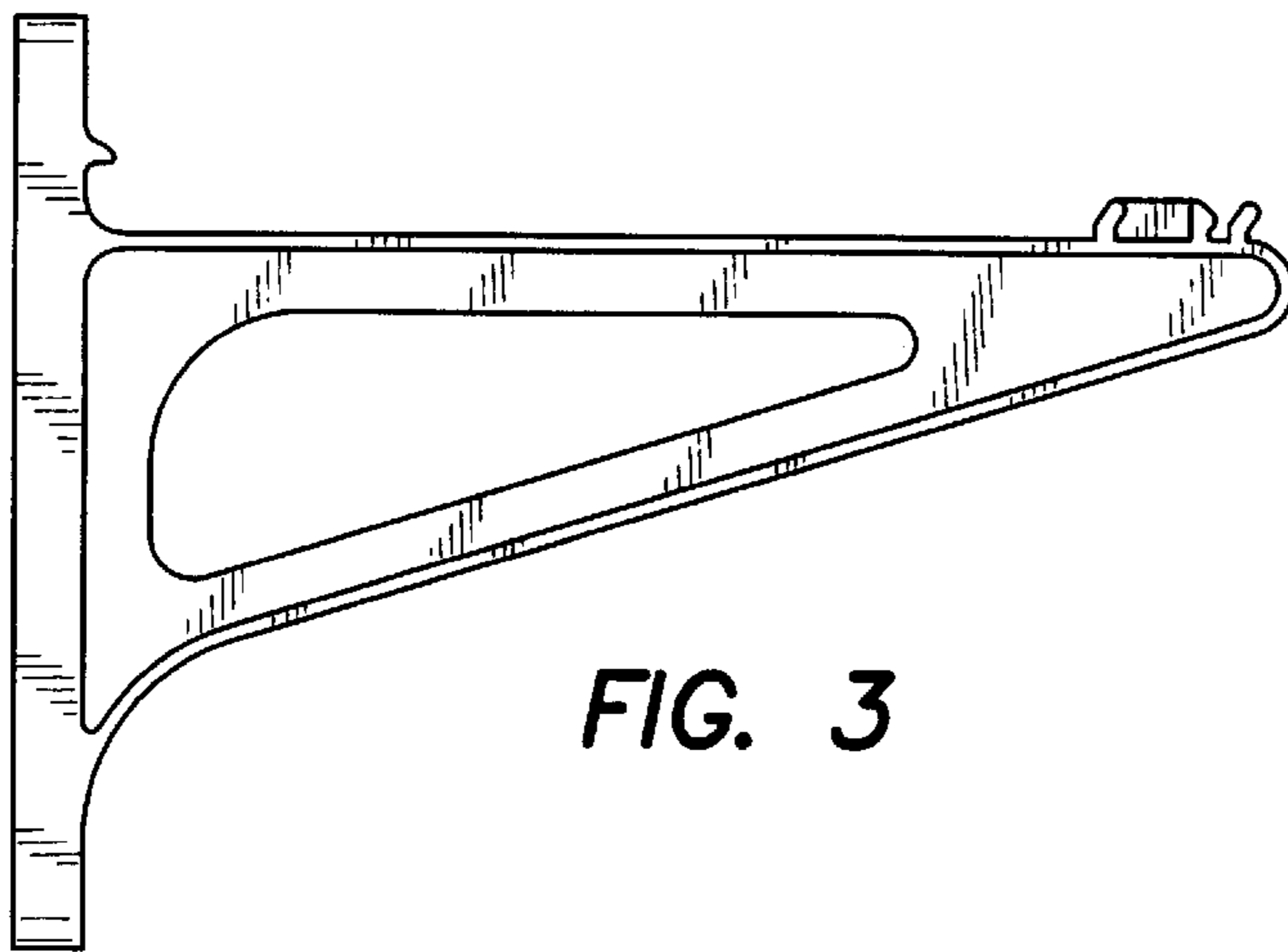


FIG. 3