

US00D508634S

(12) **United States Design Patent**
Chambers et al.

(10) **Patent No.: US D508,634 S**

(45) **Date of Patent: ** Aug. 23, 2005**

(54) **MULTI COMPARTMENT FOOD SERVICE TRAY**

(75) Inventors: **Paul Bud Chambers**, Dewey, AZ (US);
Alfonso Espinoza, Rnco. San. Margarita, CA (US)

(73) Assignee: **Cambro Manufacturing Co.**,
Huntington Beach, CA (US)

(**) Term: **14 Years**

(21) Appl. No.: **29/212,601**

(22) Filed: **Sep. 2, 2004**

(51) **LOC (8) Cl. 07-01**

(52) **U.S. Cl. D7/553.8; D3/313**

(58) **Field of Search** D7/542, 545, 549,
D7/550.1, 553.1-553.5, 554.1-554.4, 555,
557, 584-588, 553.7-553.8; 220/223.83,
574; 211/74; 493/167; D6/406.5; 229/106;
D3/313, 315

(56) **References Cited**

U.S. PATENT DOCUMENTS

- D206,761 S * 1/1967 Kirwan D7/553.5
- D206,763 S * 1/1967 Kirwan D7/553.5
- D214,523 S * 6/1969 Stone D7/553.3
- D219,240 S * 11/1970 Bridges et al. D7/553.5
- D322,356 S * 12/1991 Harshaw et al. D3/313

- D360,111 S * 7/1995 Kearney D7/553.5
- D397,582 S * 9/1998 Sussman D7/553.4
- D404,218 S * 1/1999 Sussman D6/406.5
- D436,500 S * 1/2001 Kearney D7/553.5
- D479,439 S * 9/2003 Joss et al. D7/553.4

* cited by examiner

Primary Examiner—Charles A. Rademaker

(74) *Attorney, Agent, or Firm*—George F. Bethel

(57) **CLAIM**

We claim the ornamental design for a multi compartment food service tray, as shown and described.

DESCRIPTION

FIG. 1 is a top perspective view of the multi compartment food service tray.

FIG. 2 is a top plan view of the multi compartment food service tray.

FIG. 3 is a front elevation view of the multi compartment food service tray.

FIG. 4 is a side elevation view of the multi compartment food service tray taken from the right side of FIG. 1.

FIG. 5 is a side elevation view of the multi compartment food service tray taken from the left side of FIG. 1.

FIG. 6 is a rear elevation view of the multi compartment food service tray; and,

FIG. 7 is a bottom plan view of the multi compartment food service tray.

1 Claim, 3 Drawing Sheets

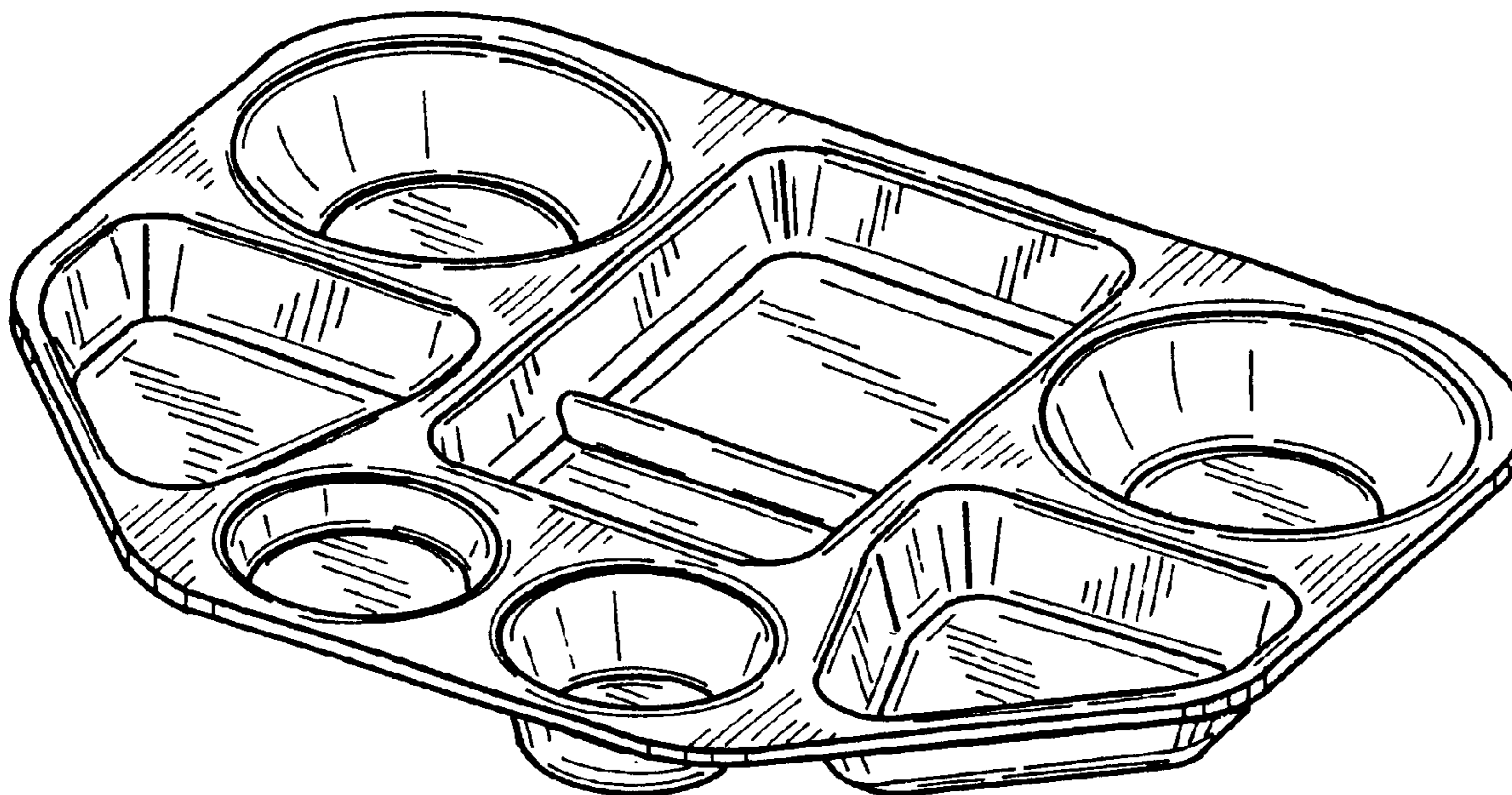


FIG. 1

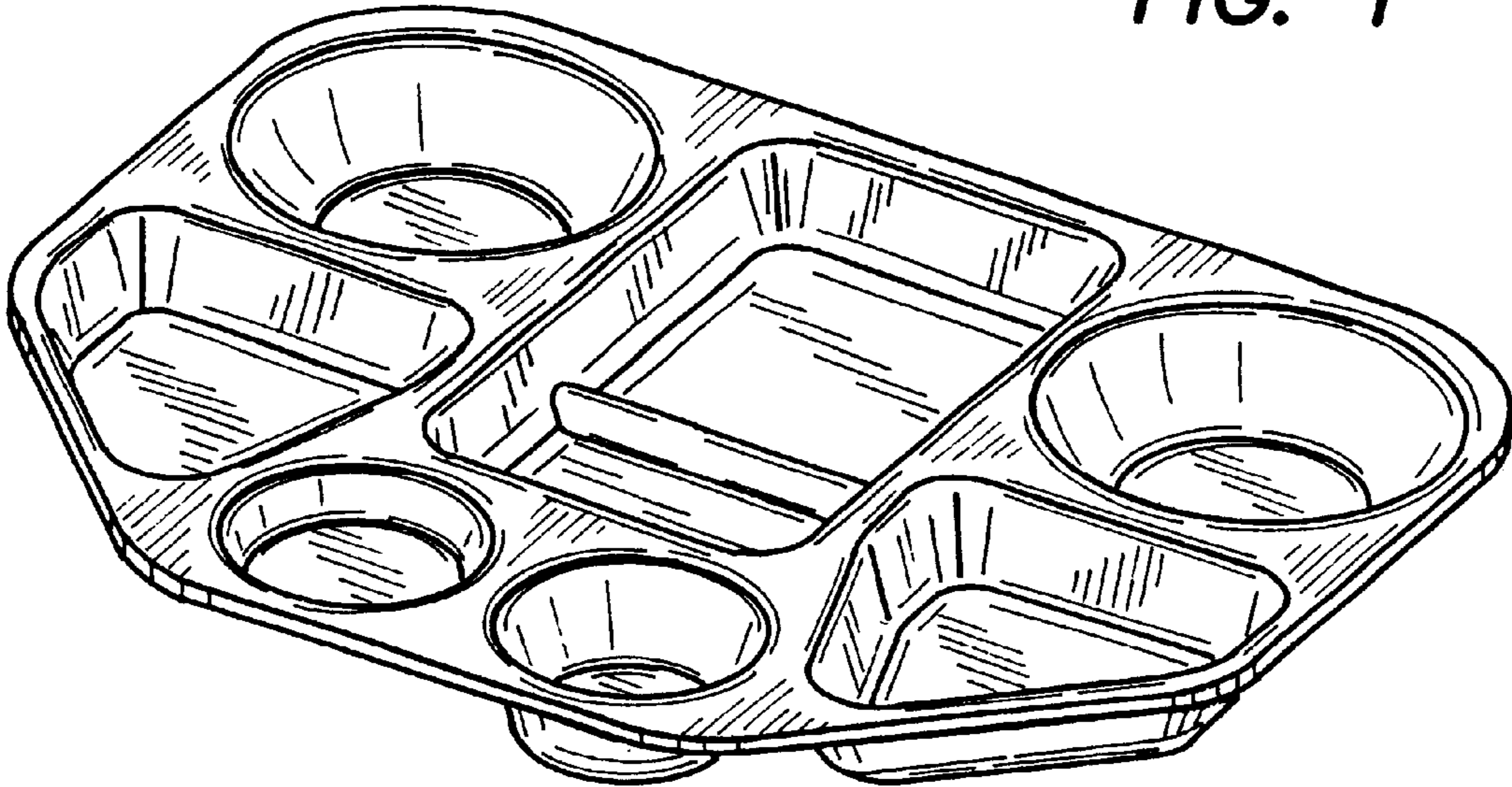


FIG. 3



FIG. 4



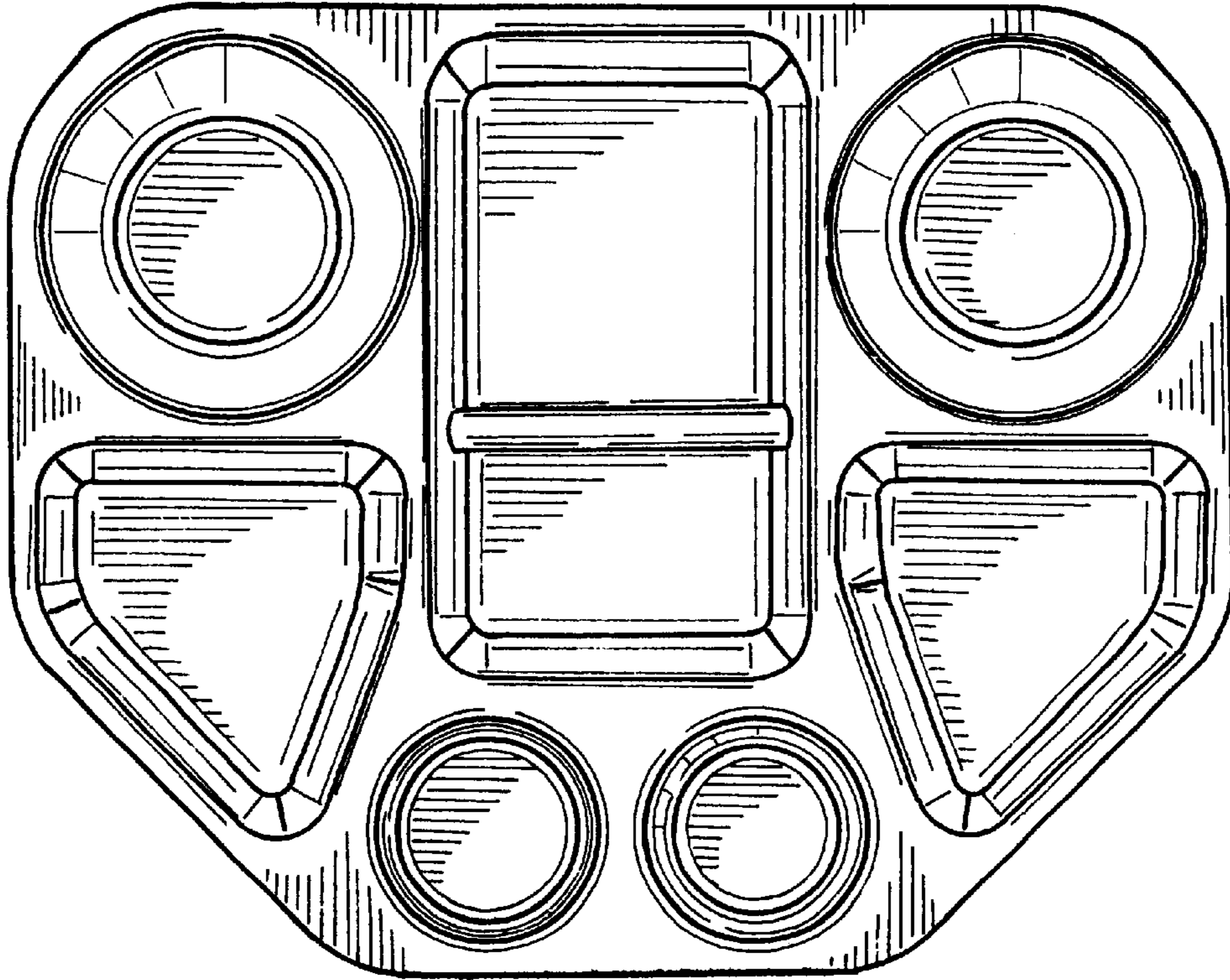


FIG. 2

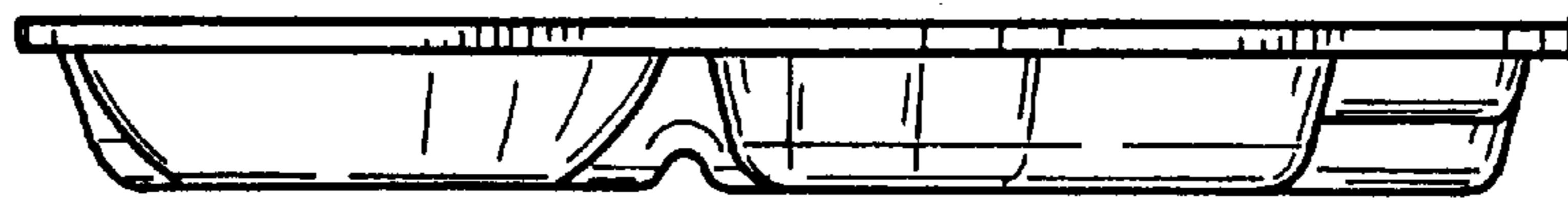


FIG. 5

FIG. 6

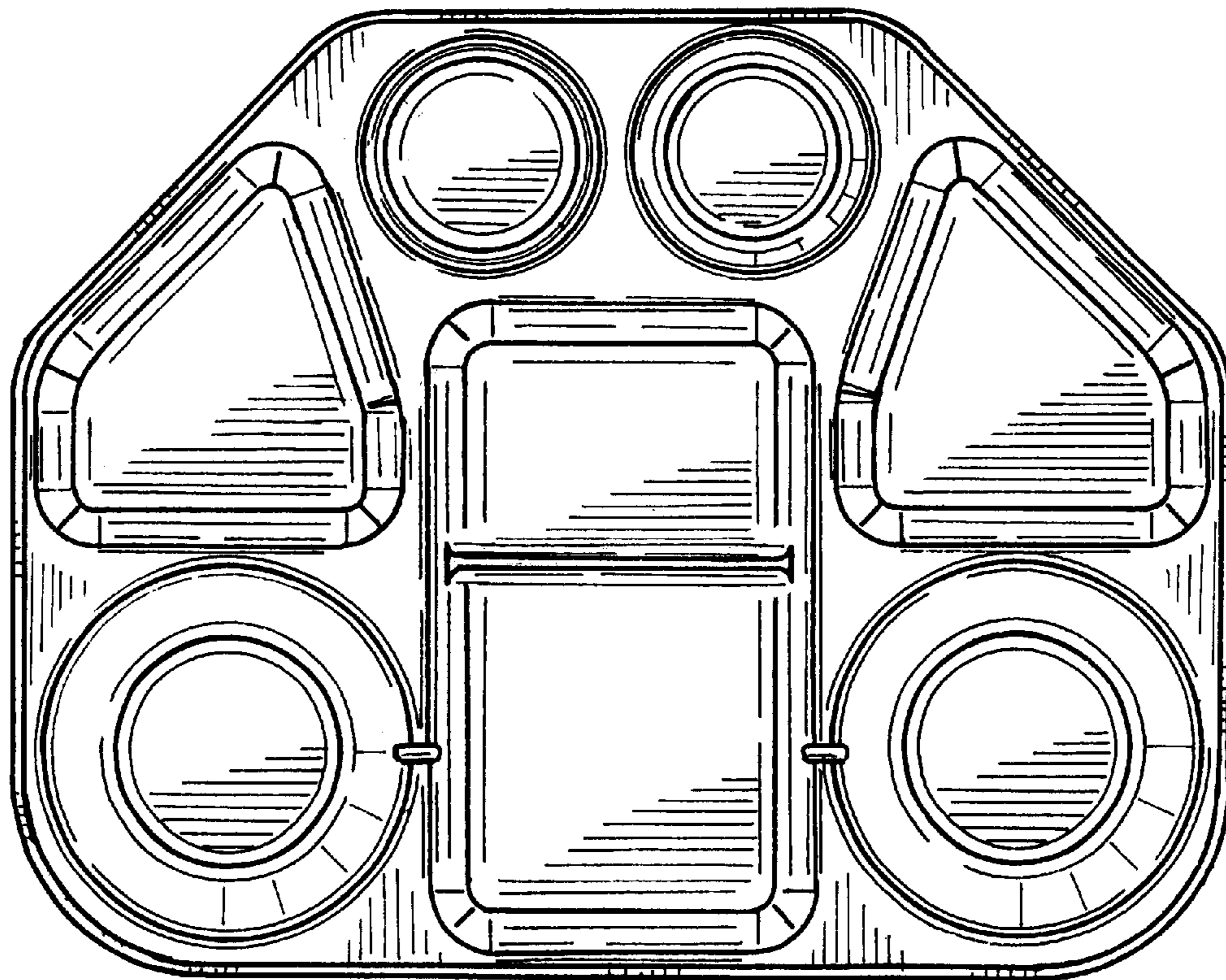
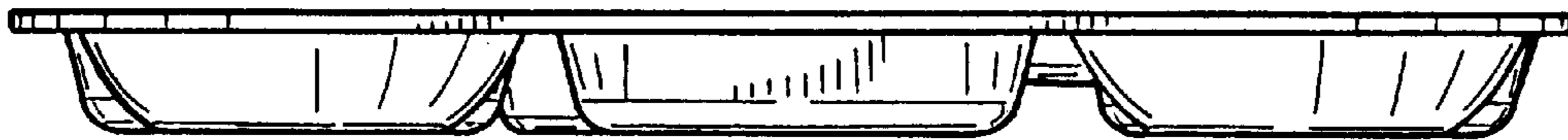


FIG. 7