

US00D508633S

(12) **United States Design Patent**  
**Kozlowski et al.**

(10) **Patent No.: US D508,633 S**

(45) **Date of Patent: \*\* Aug. 23, 2005**

(54) **TRAY**

D451,281 S \* 12/2001 Wodkowski et al. .... D3/315  
D490,244 S \* 5/2004 Pero ..... D3/315

(75) Inventors: **Eugene J. Kozlowski**, Medina, OH (US); **Robert M. Ulanski**, Broadview Heights, OH (US)

\* cited by examiner

*Primary Examiner*—Charles A. Rademaker

(73) Assignee: **Vita-Mix Corporation**, Cleveland, OH (US)

(74) *Attorney, Agent, or Firm*—Renner, Kenner, Greive, Bobak, Taylor & Weber

(\*\*) Term: **14 Years**

(57) **CLAIM**

The ornamental design for a tray, as shown and described.

(21) Appl. No.: **29/207,915**

**DESCRIPTION**

(22) Filed: **Jun. 22, 2004**

(51) **LOC (8) Cl.** ..... **07-01**

(52) **U.S. Cl.** ..... **D7/553.2**; D3/313

(58) **Field of Search** ..... D7/542, 545, 549, D7/550.1, 553.1–553.5, 554.1–554.4, 555, 557, 584–588, 553.7–553.8; 220/223.83, 574; 211/74; 493/167; D6/406.5; 229/106; D3/313, 315, 304

FIG. 1 is a top, front, right side perspective view of a tray showing our new design;

FIG. 2 is a top plan view thereof;

FIG. 3 is a bottom plan view thereof;

FIG. 4 is a front elevational view thereof;

FIG. 5 is a rear elevational view thereof;

FIG. 6 is a left side elevational view thereof;

FIG. 7 is a right side elevational view thereof;

FIG. 8 is a top, front, right side respective view of another embodiment of a tray showing our new design;

FIG. 9 is a top plan view thereof;

FIG. 10 is a bottom plan view thereof;

FIG. 11 is a front elevational view thereof;

FIG. 12 is a rear elevational view thereof;

FIG. 13 is a left side elevational view thereof; and,

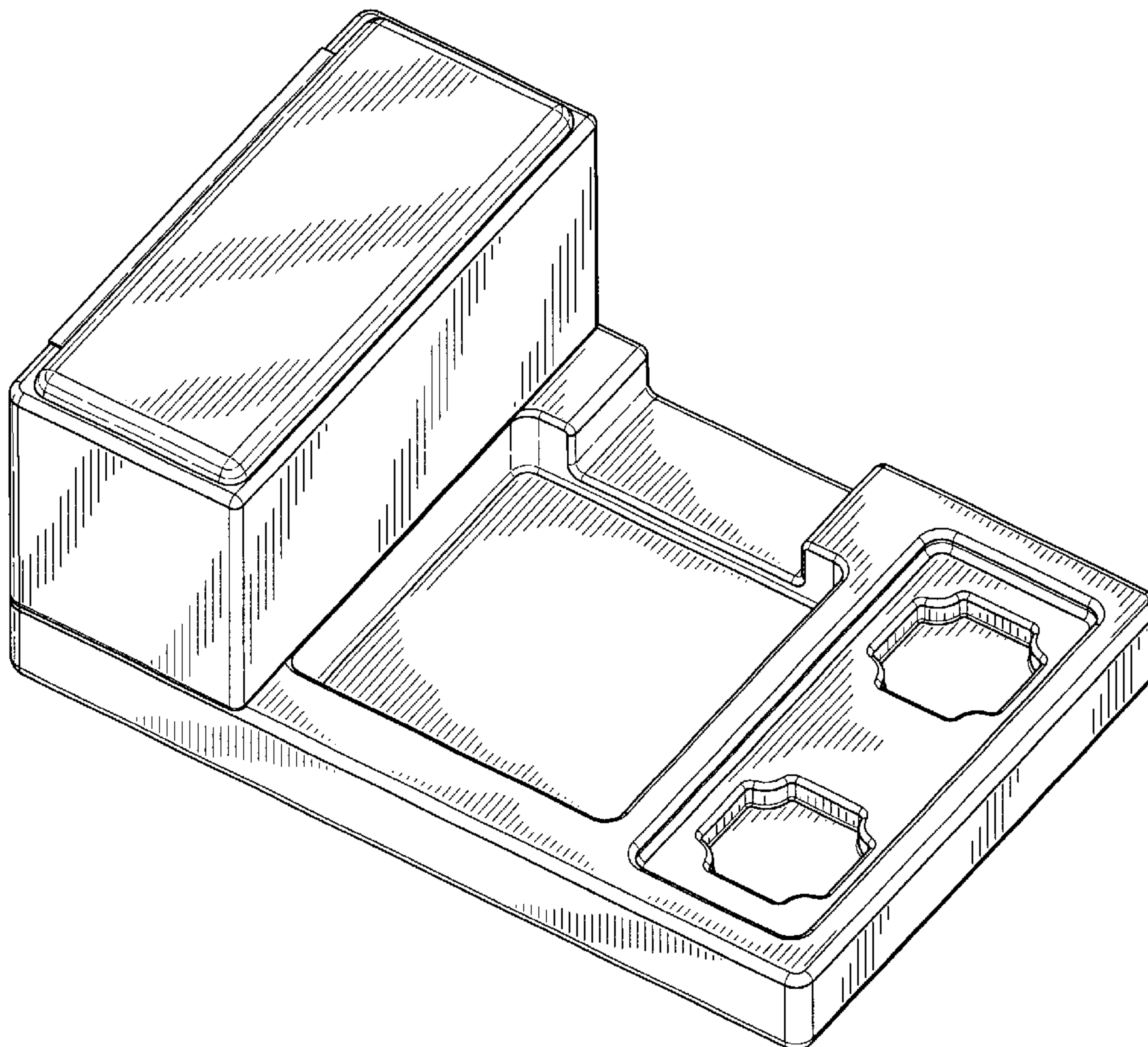
FIG. 14 is a right side elevational view thereof.

(56) **References Cited**

**U.S. PATENT DOCUMENTS**

D207,062 S	*	2/1967	Blair	.....	D7/553.5
D255,310 S	*	6/1980	Spencer	.....	D7/553.5
4,232,789 A	*	11/1980	Springer	.....	206/562
D273,209 S	*	3/1984	Ciganko	.....	D3/315
D396,955 S	*	8/1998	Iversen et al.	.....	D3/313
D419,772 S	*	2/2000	Williams	.....	D3/313

**1 Claim, 6 Drawing Sheets**



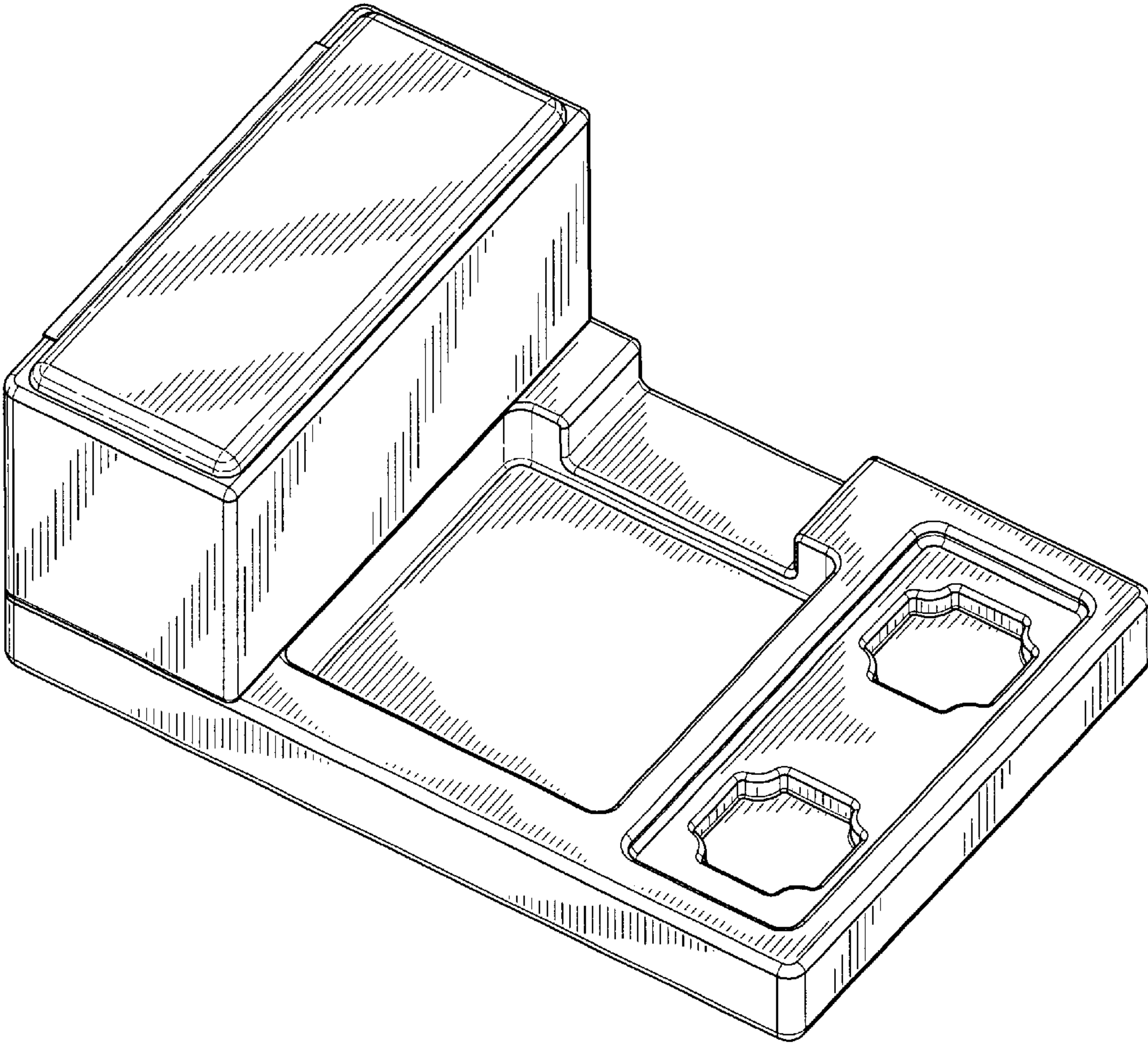


FIG-1

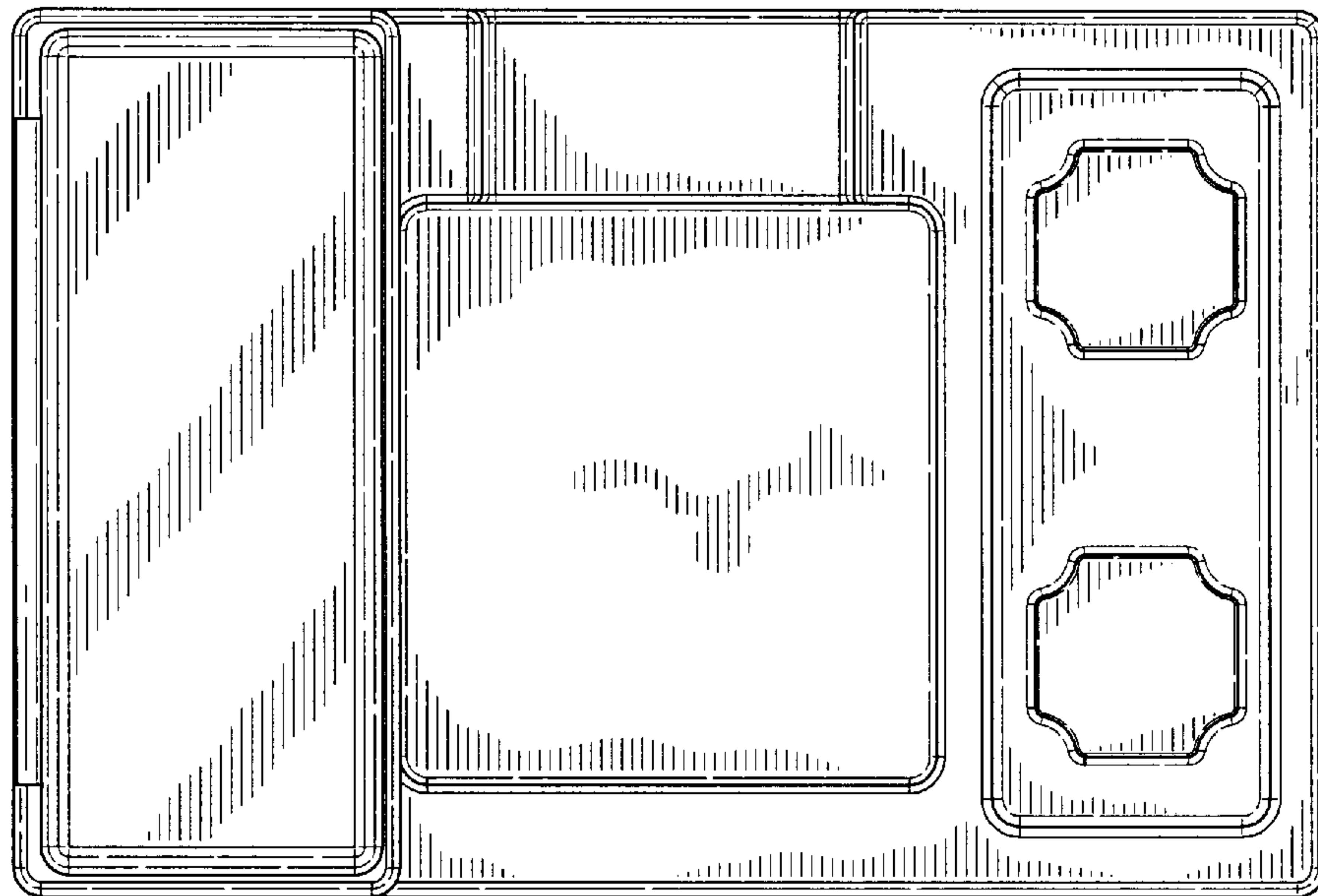


FIG-2

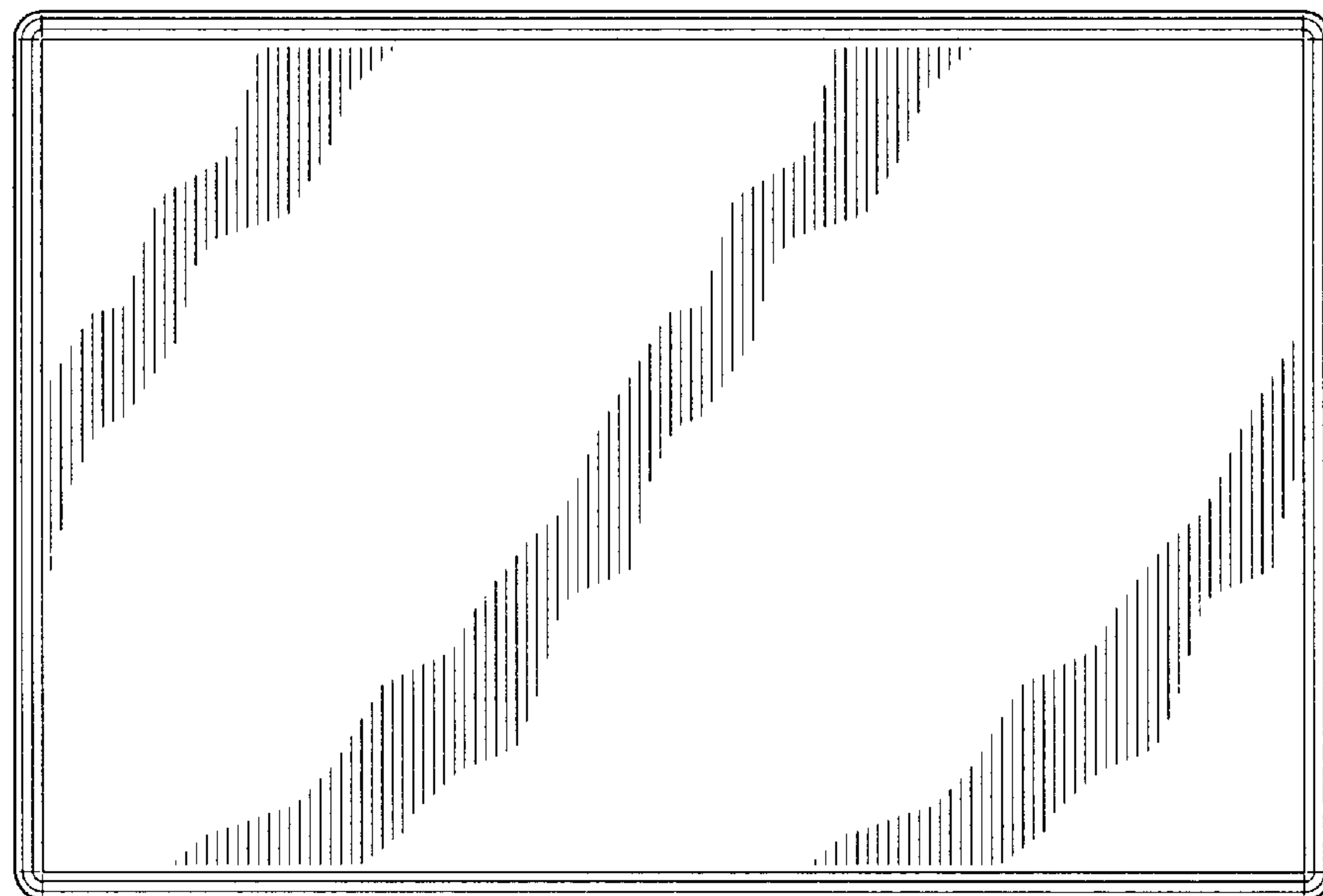


FIG-3

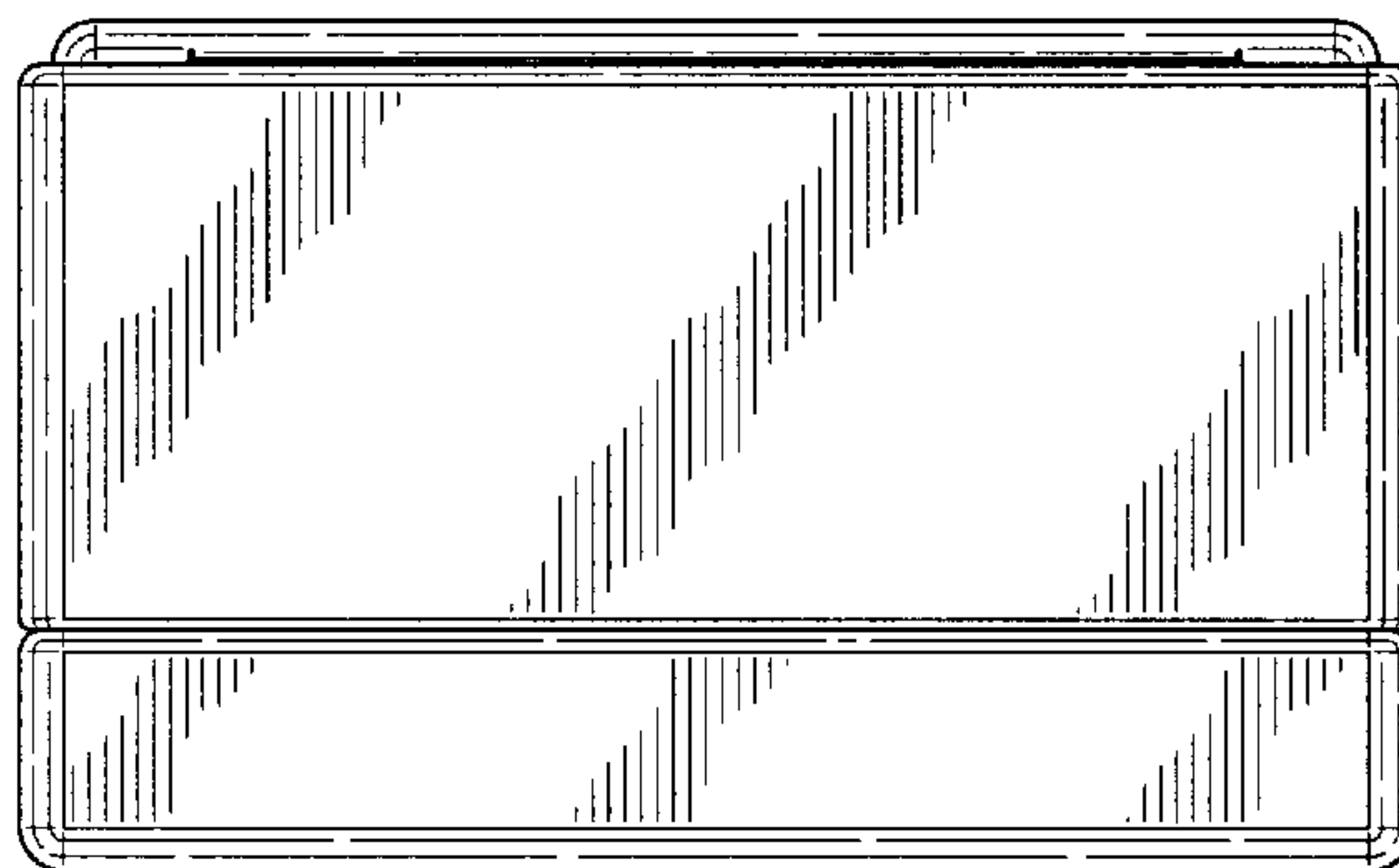
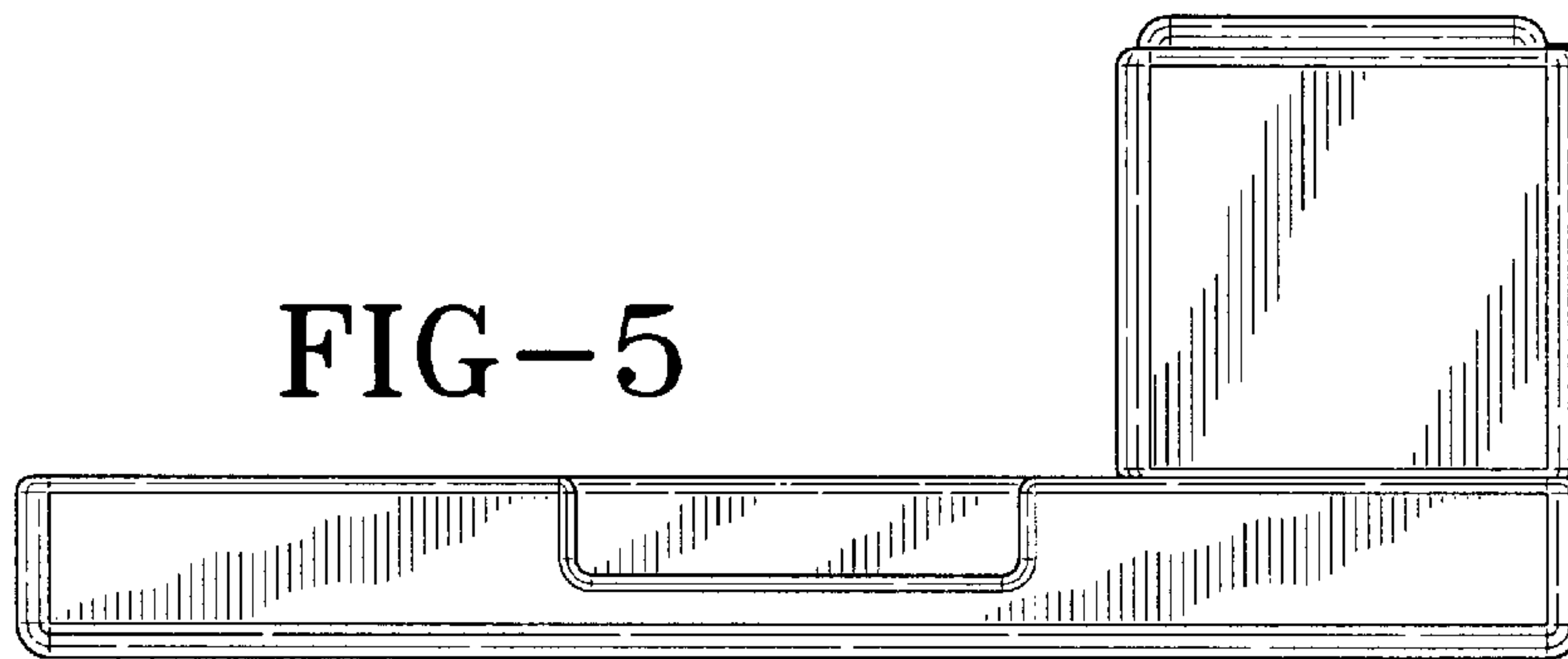
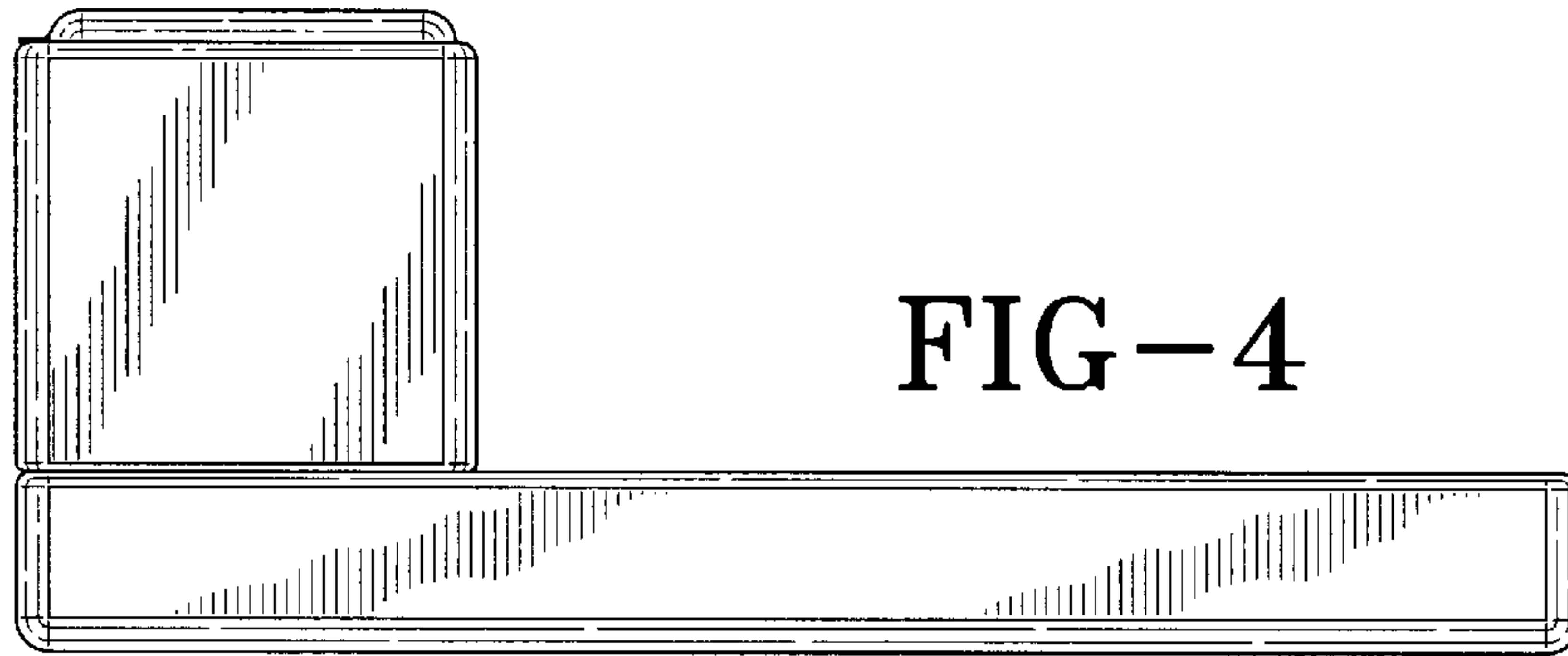


FIG-6

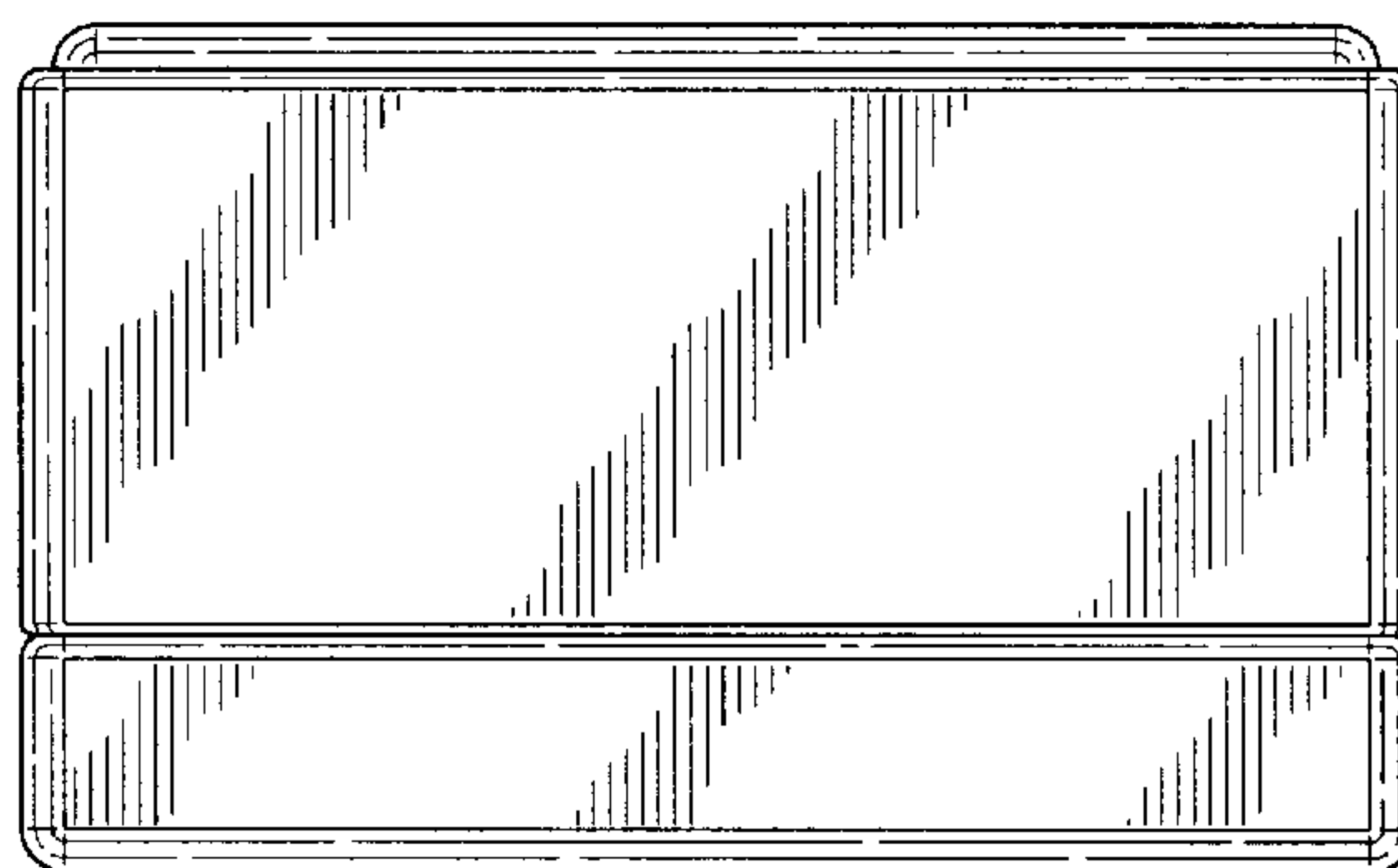


FIG-7



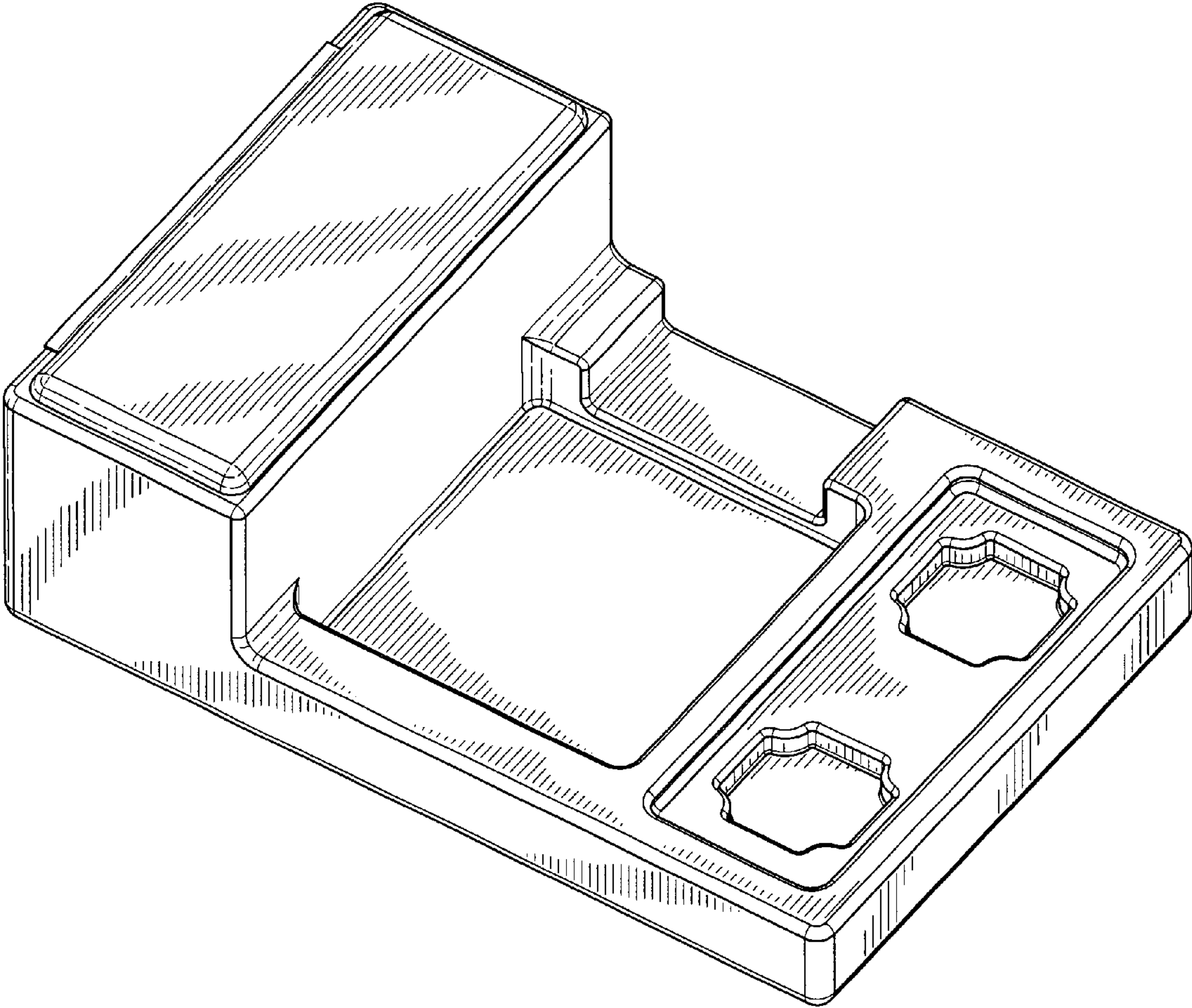


FIG-8

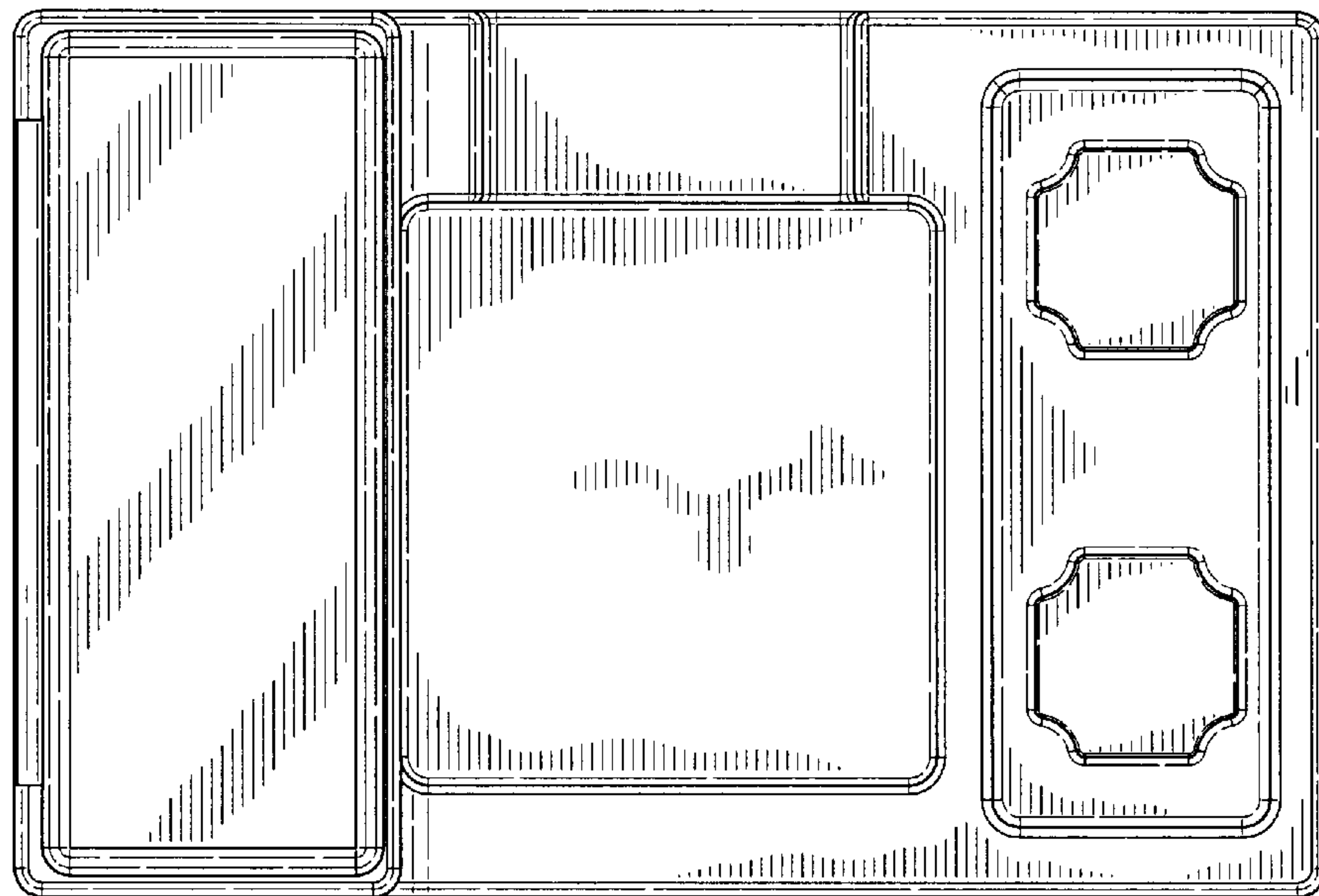


FIG-9

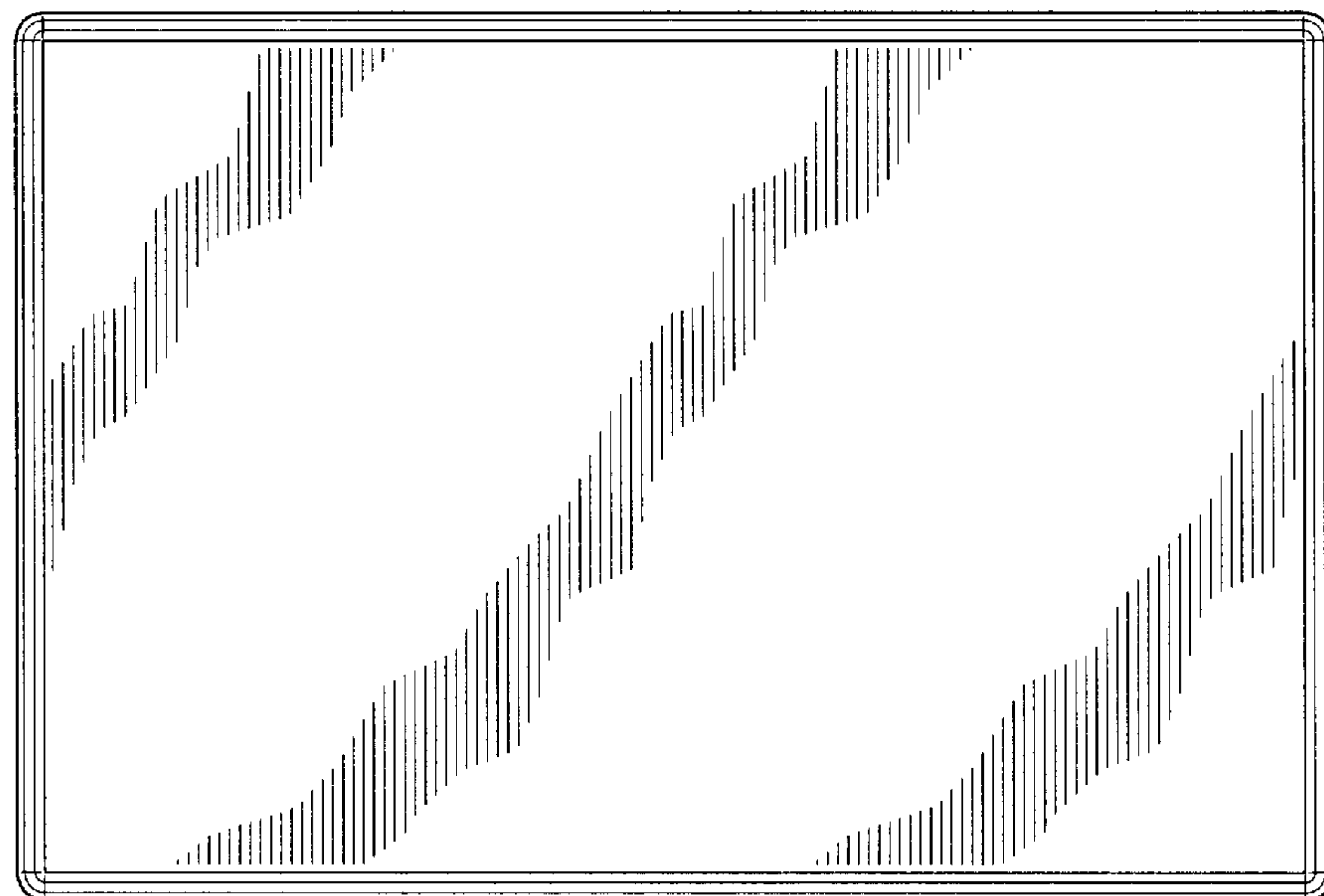


FIG-10

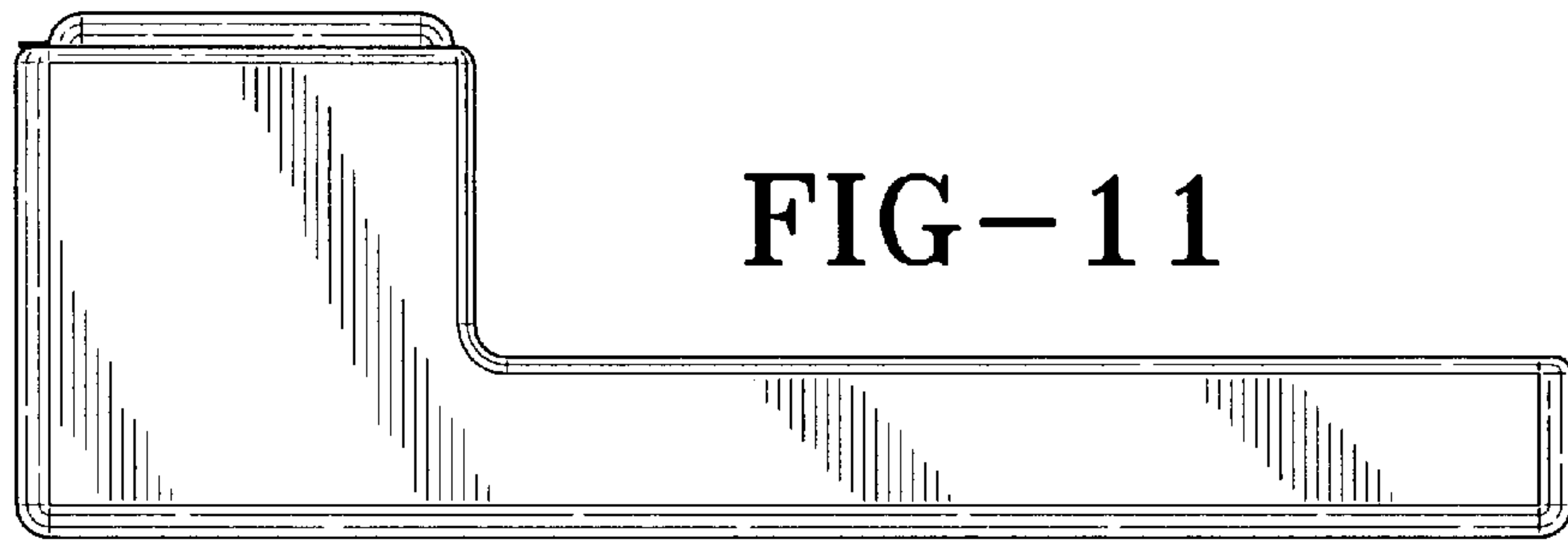


FIG-11

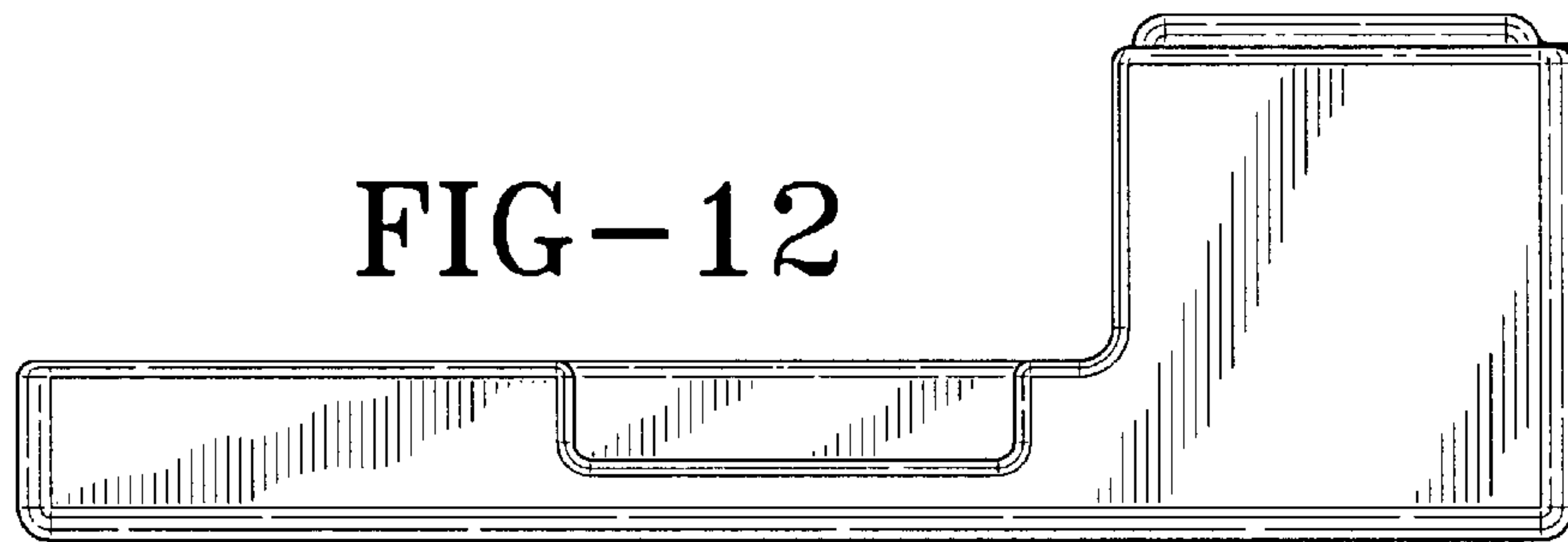


FIG-12

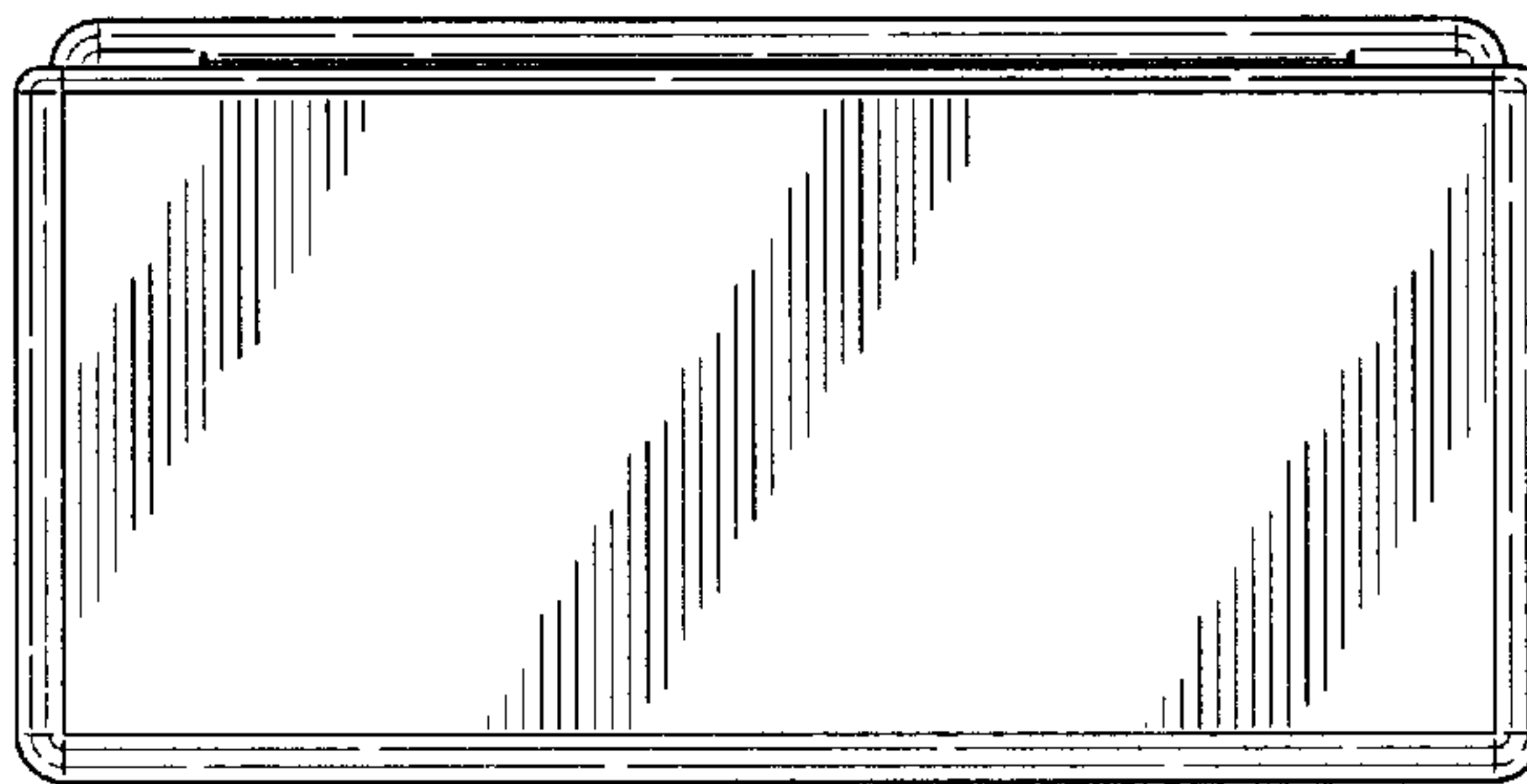


FIG-13

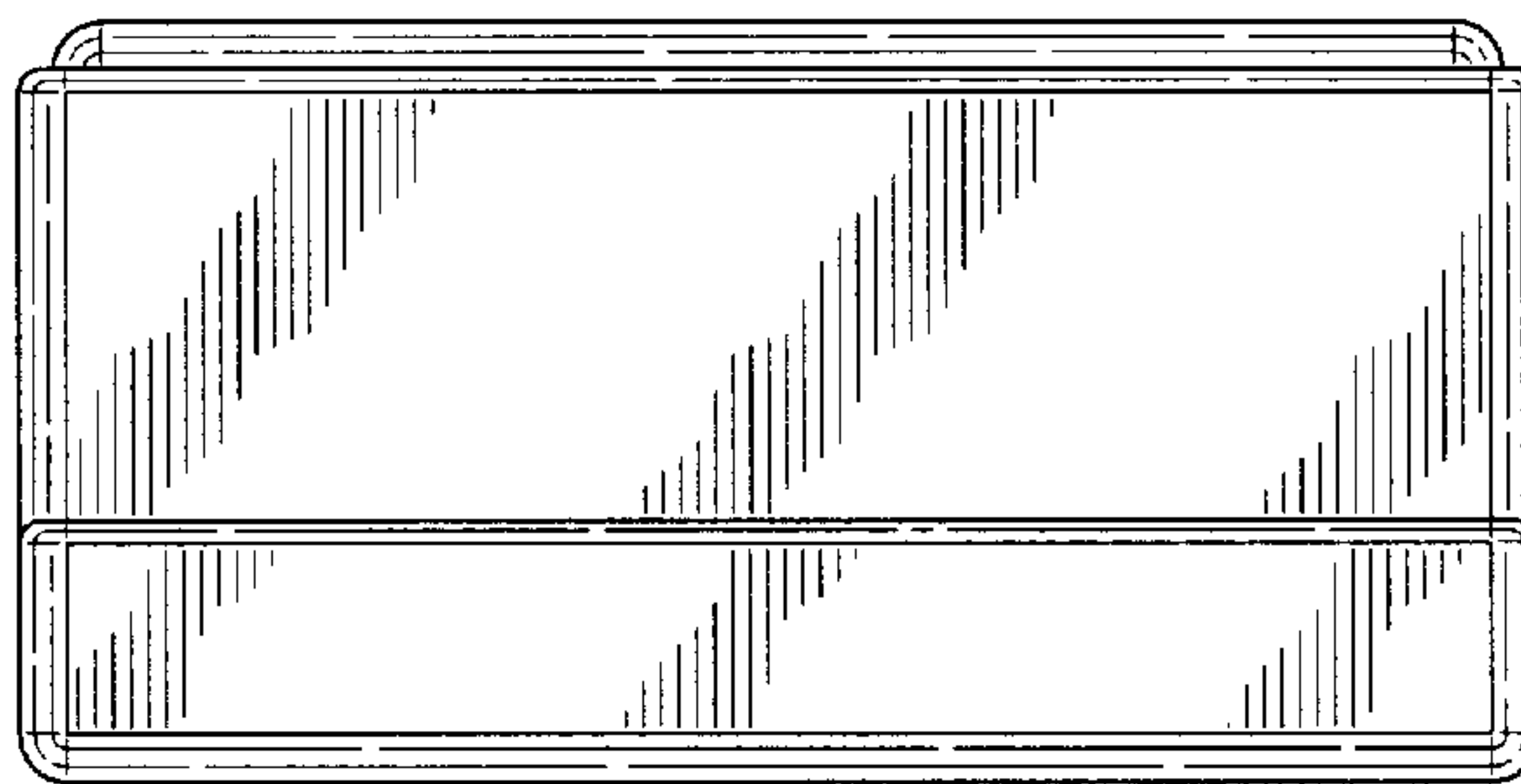


FIG-14