



US00D508632S

(12) **United States Design Patent**
Nolan

(10) **Patent No.:** **US D508,632 S**

(45) **Date of Patent:** **** Aug. 23, 2005**

(54) **COOKING INDENTATION**

(75) Inventor: **David L. Nolan**, San Antonio, TX (US)

(73) Assignee: **Hill Country Bakery, LLC**, San Antonio, TX (US)

(**) Term: **14 Years**

(21) Appl. No.: **29/193,539**

(22) Filed: **Nov. 10, 2003**

Related U.S. Application Data

(63) Continuation-in-part of application No. 29/173,905, filed on Jan. 9, 2003, now Pat. No. Des. 481,905.

(51) **LOC (8) Cl.** **07-02**

(52) **U.S. Cl.** **D7/412**

(58) **Field of Search** D7/412, 354-365, D7/553.1, 672; 99/426-428, 440-442; 220/55-555, 23.2

(56) **References Cited**

U.S. PATENT DOCUMENTS

D268,037 S	*	2/1983	Wiseltier et al.	D21/472
D405,366 S	*	2/1999	Herbruck	D9/762
D431,760 S	*	10/2000	Sullivan	D7/672
6,231,910 B1	*	5/2001	Ellingsworth	426/505
D487,667 S	*	3/2004	Morgan	D7/356

2002/0078833 A1 * 6/2002 Sloan et al. 99/426

* cited by examiner

Primary Examiner—Joel Sincavage

Assistant Examiner—Maurice Stevens

(74) *Attorney, Agent, or Firm*—Michelle Evans; Gunn & Lee, P.C.

(57) **CLAIM**

The ornamental design for a cooking indentation, as shown and described.

DESCRIPTION

FIG. 1 is a top plan view of the cooking indentation with the broken lines in the drawing illustrating a cooking tray in which multiple cooking indentations are embodied, the broken lines not being a part of the design sought to be patented.

FIG. 2 is a top perspective view of the cooking indentation with the break lines illustrating connection into the cooking tray which is not a part of the design sought to be patented.

FIG. 3 is a bottom perspective view of the cooking indentation.

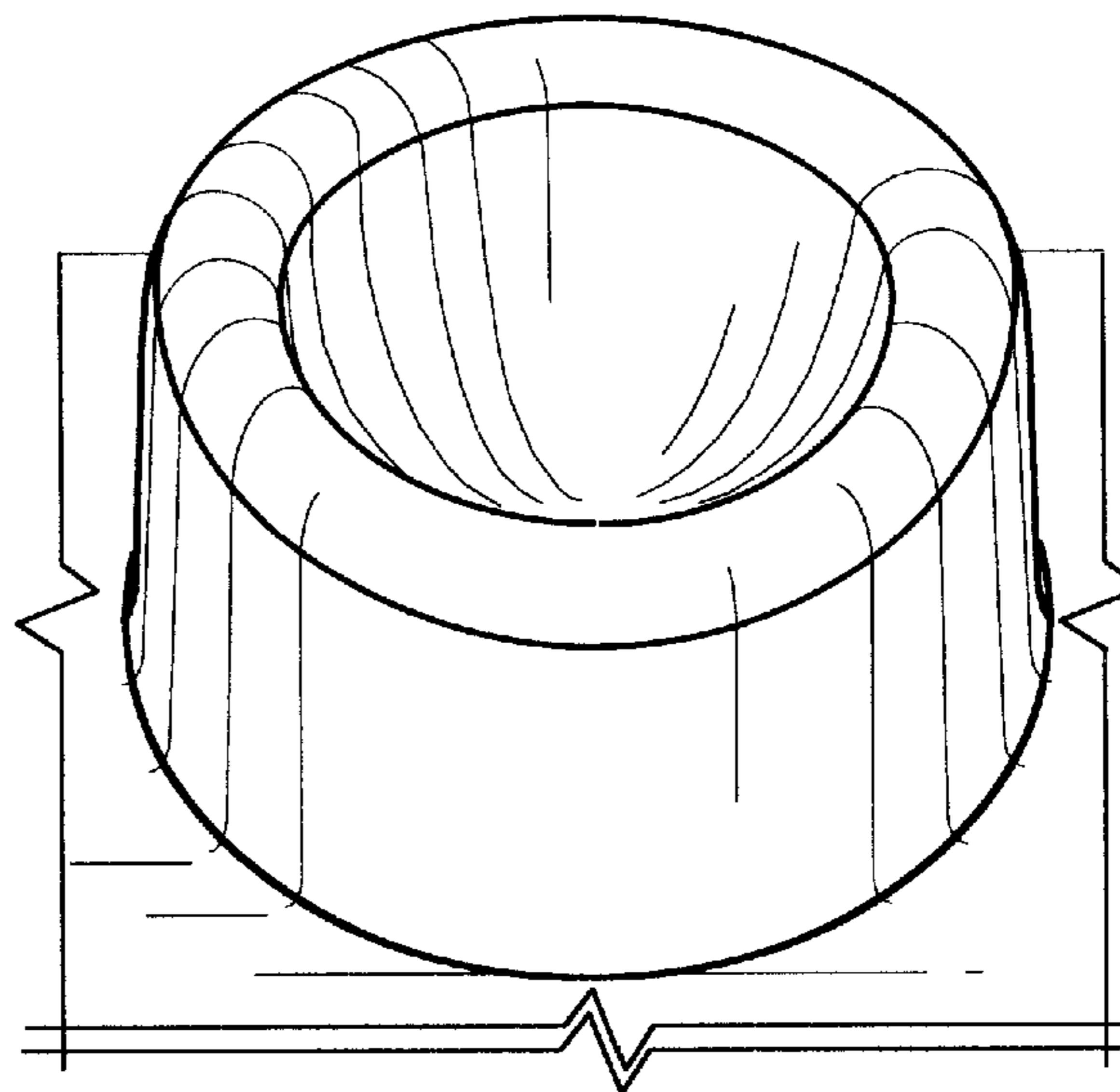
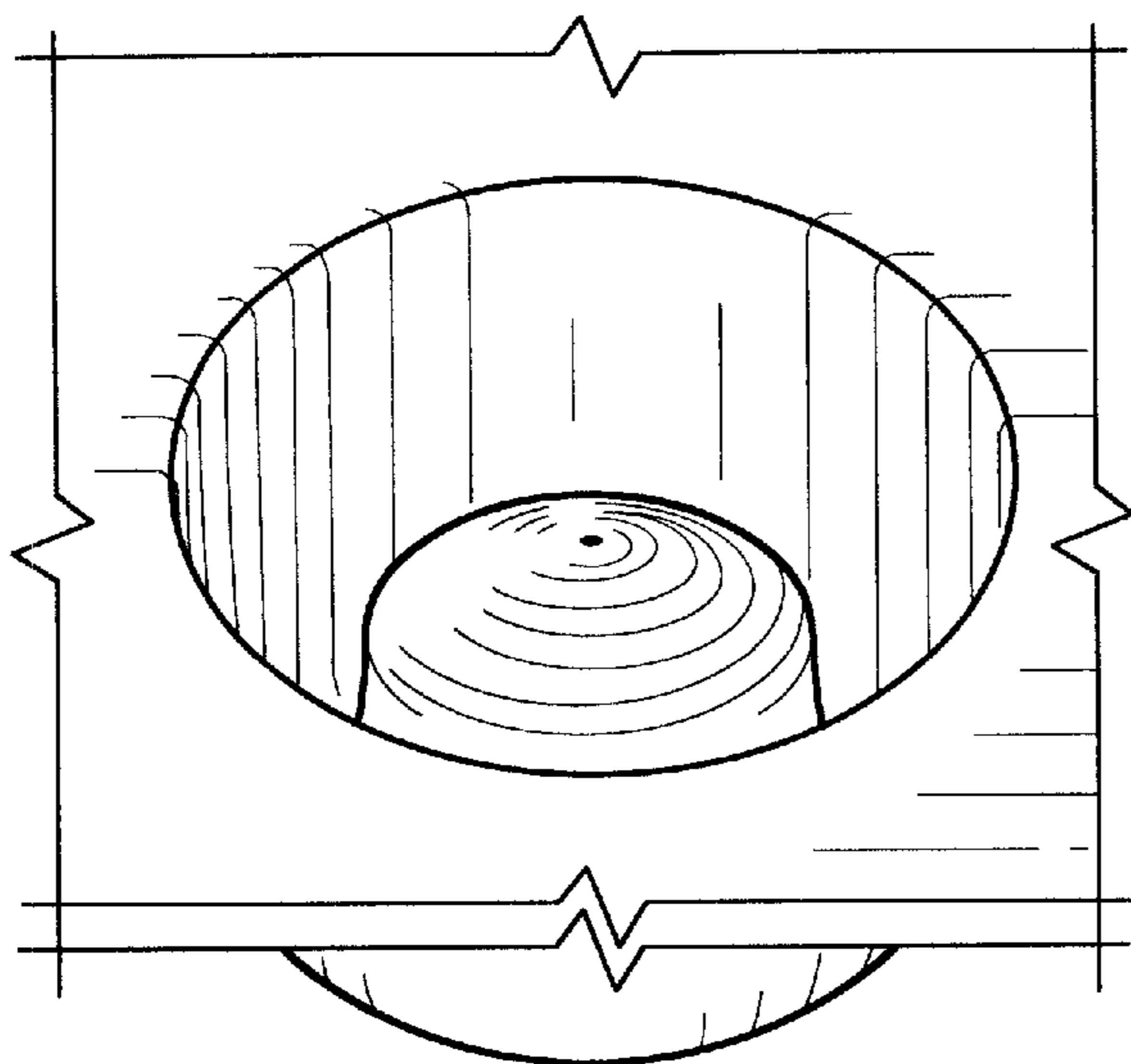
FIG. 4 is a top view of the cooking indentation.

FIG. 5 is a bottom view of the cooking indentation; and,

FIG. 6 is a side elevation view of the cooking indentation.

All side views of the cooking indentation are identical to FIG. 6.

1 Claim, 4 Drawing Sheets



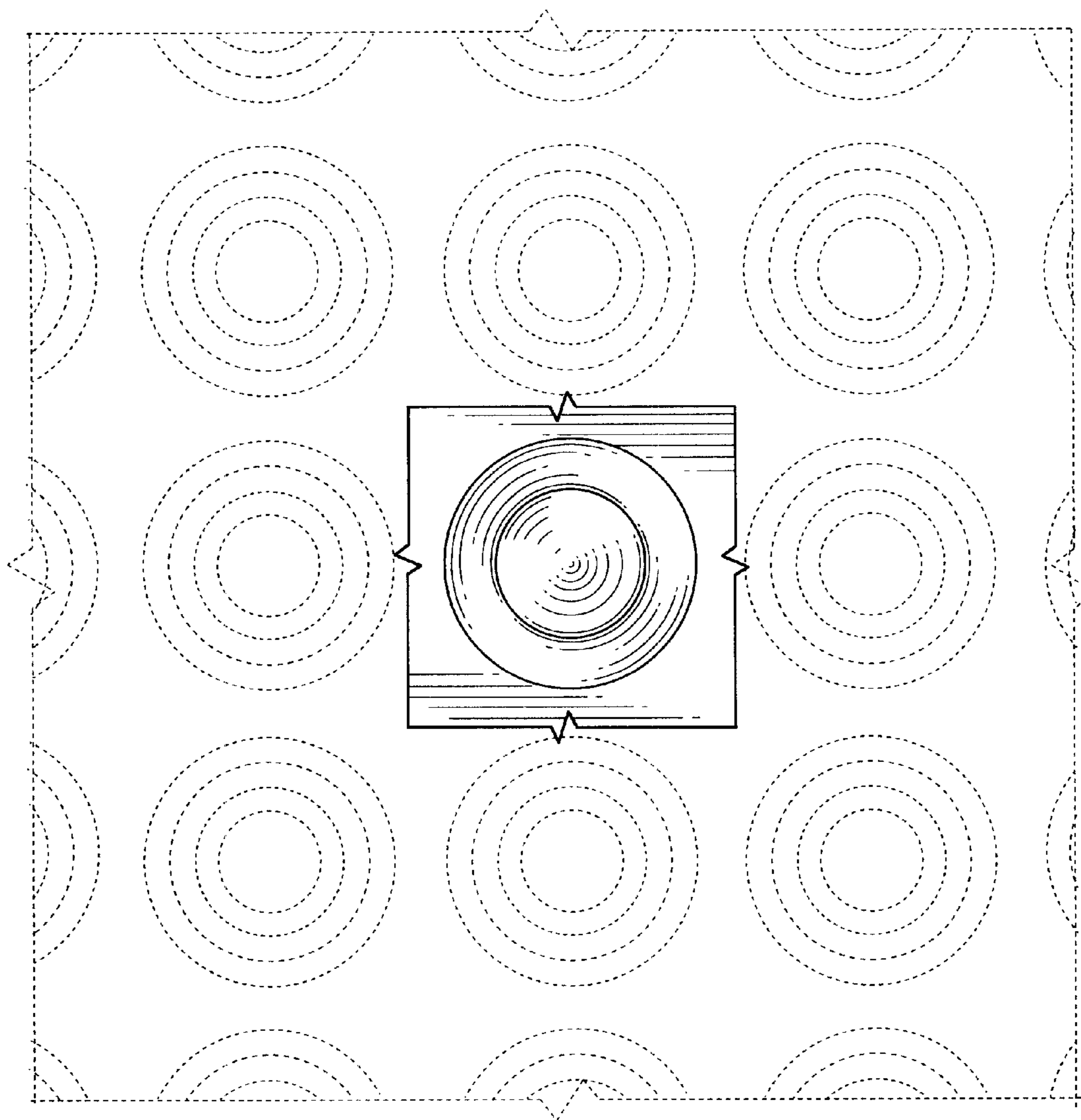


Fig. 1

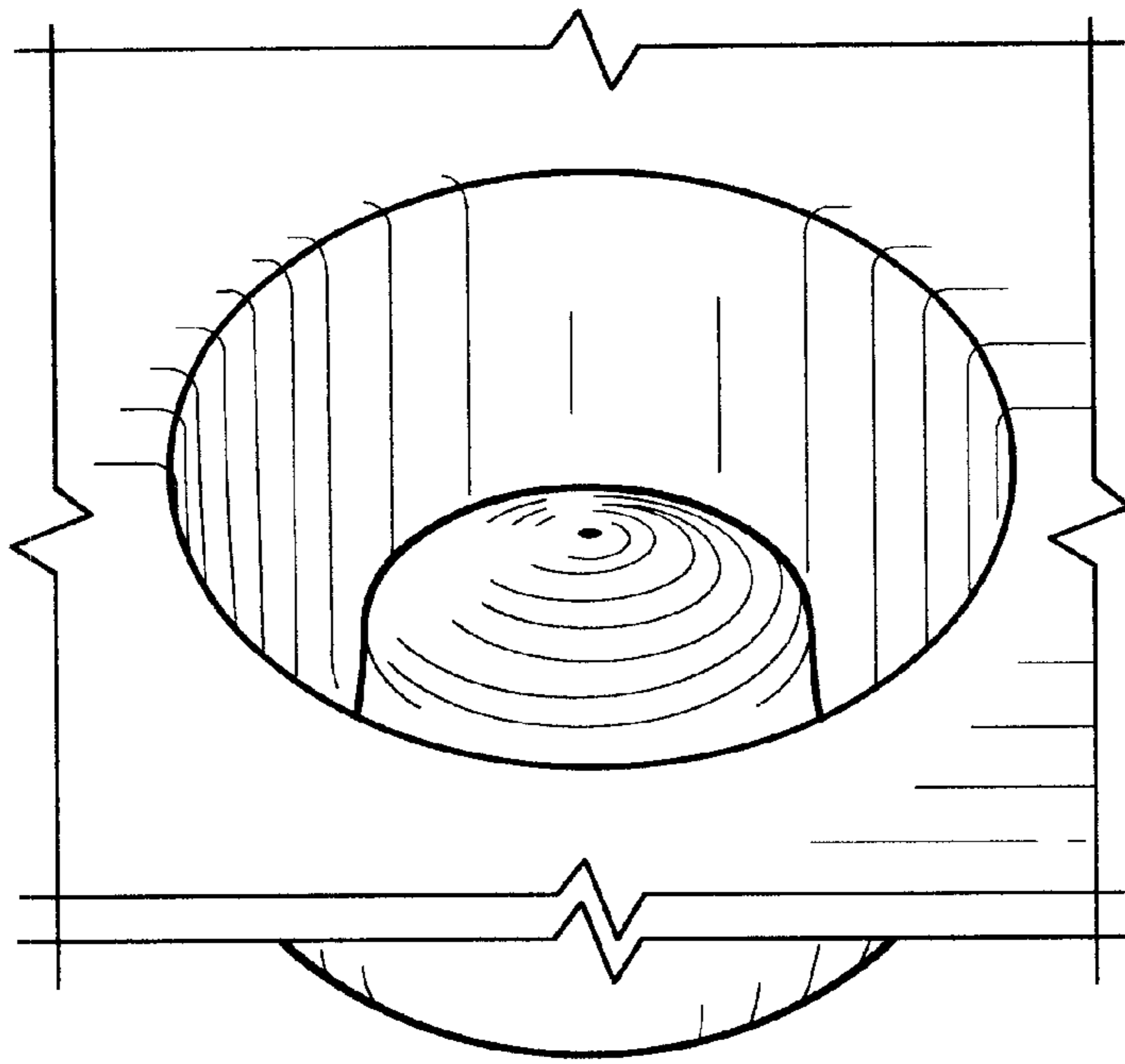


Fig. 2

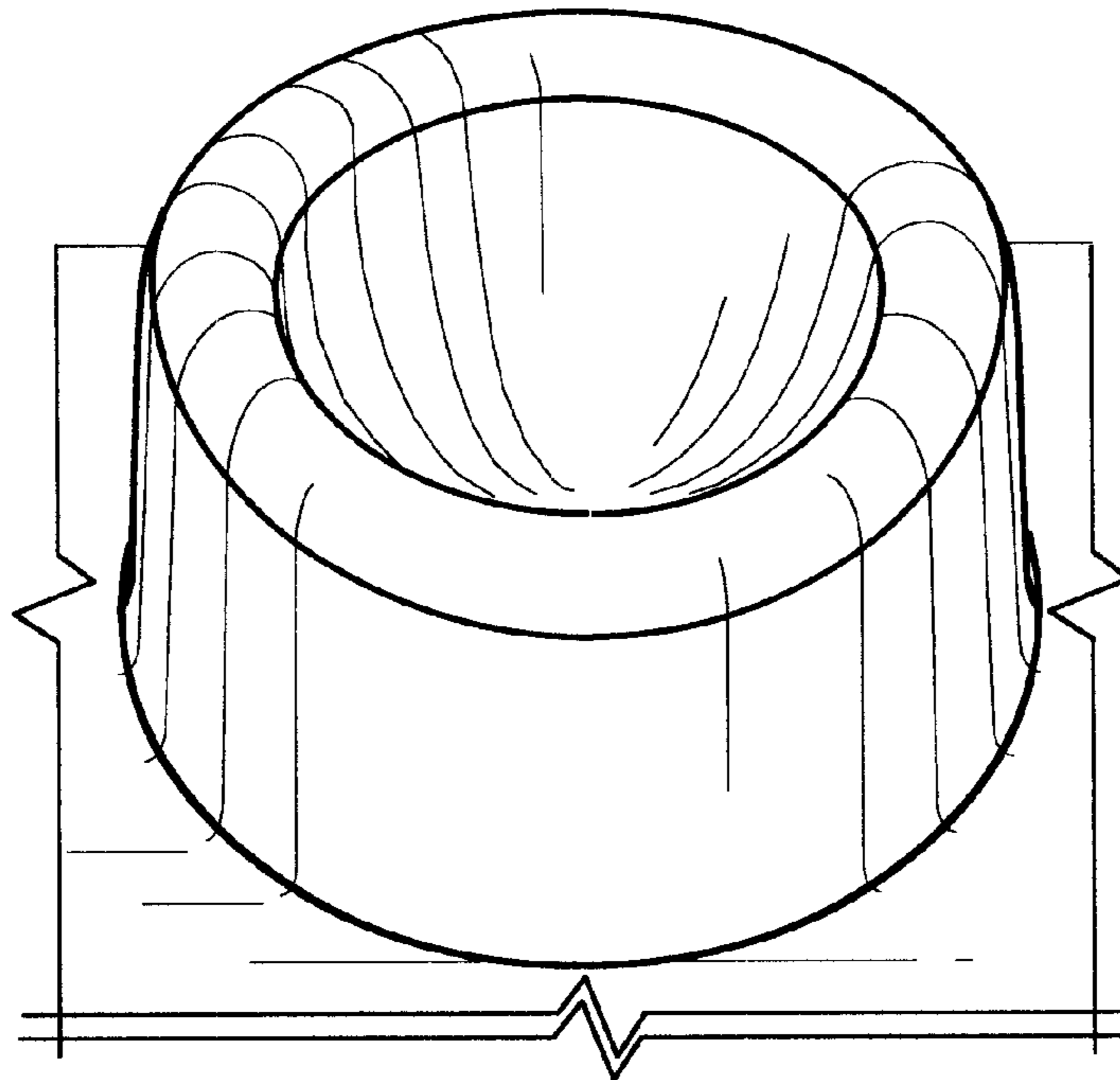


Fig. 3

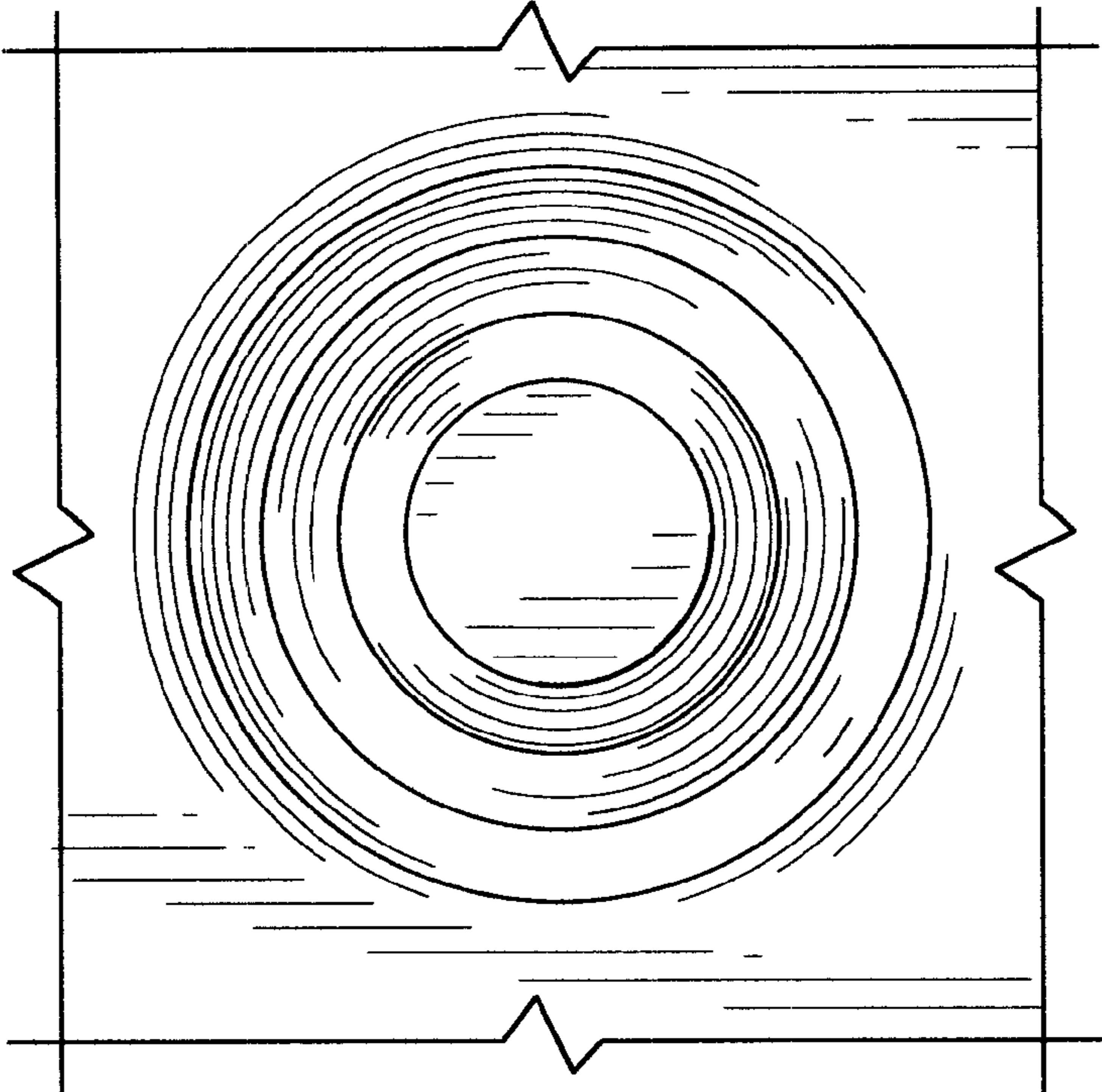


Fig. 4

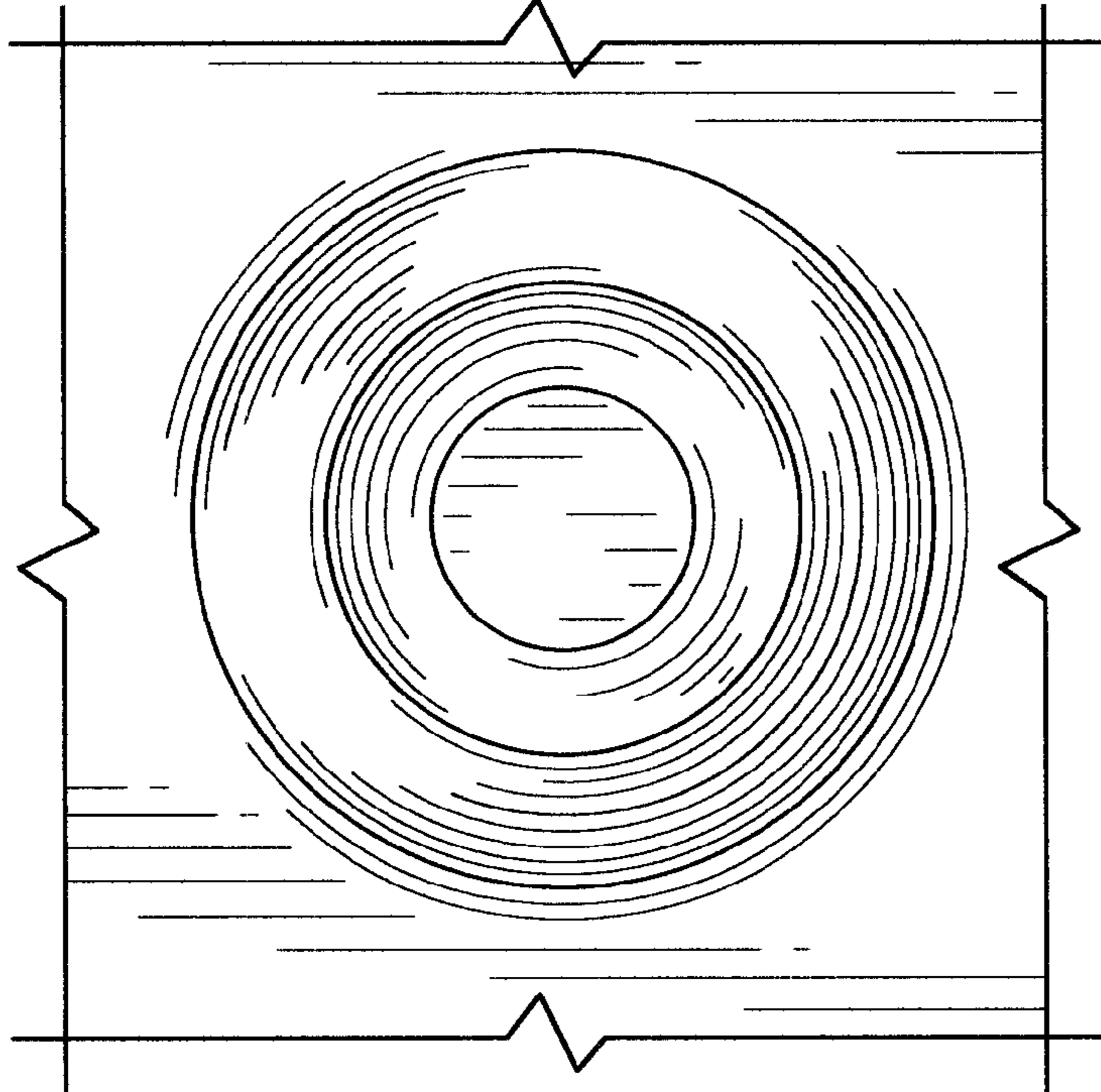


Fig. 5

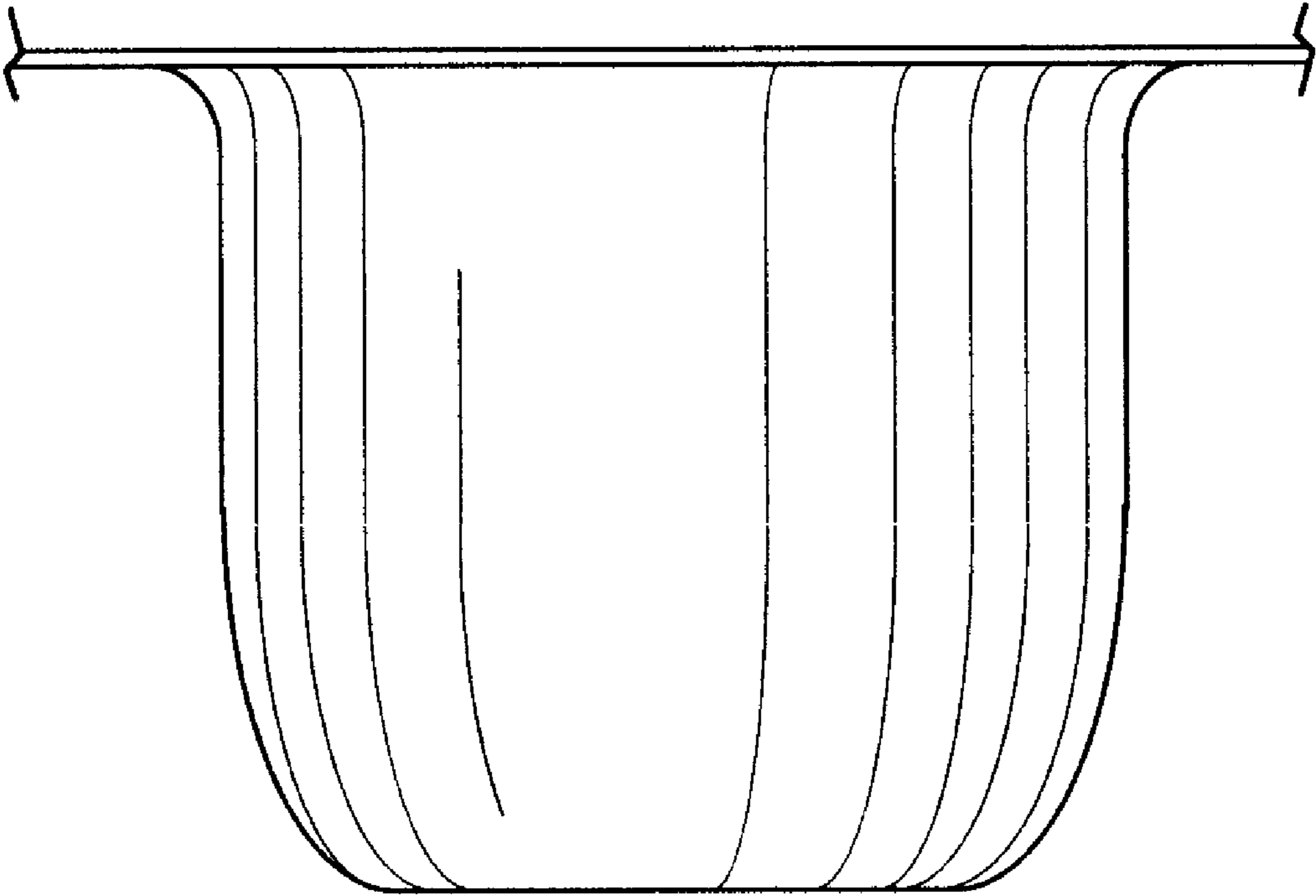


Fig. 6