

US00D508631S

(12) **United States Design Patent**  
**Cuillery**

(10) **Patent No.:** **US D508,631 S**

(45) **Date of Patent:** **\*\* Aug. 23, 2005**

(54) **HANDLE FOR COOKING UTENSILS**

(75) **Inventor:** **Pascal Cuillery, Faverges (FR)**

(73) **Assignee:** **Tefal S.A., Rumilly (FR)**

(\*\*) **Term:** **14 Years**

(21) **Appl. No.:** **29/202,055**

(22) **Filed:** **Mar. 25, 2004**

(30) **Foreign Application Priority Data**

Sep. 30, 2003 (FR) ..... 03 4730

(51) **LOC (8) Cl.** ..... **07-02**

(52) **U.S. Cl.** ..... **D7/395**

(58) **Field of Search** ..... D7/395, 393, 354-361,  
D7/681-697; D8/107; 16/110.1, 430, 431;  
220/573.1, 573.2, 573.3, 573.4, 573.5, 912;  
81/489

(56) **References Cited**

**U.S. PATENT DOCUMENTS**

D353,513 S	*	12/1994	Kong	.....	D7/395
D376,727 S	*	12/1996	Baumgarten	.....	D7/395
D384,242 S	*	9/1997	Ancona et al.	.....	D7/395
D394,783 S	*	6/1998	Ancona et al.	.....	D7/395
D417,585 S	*	12/1999	Kwok	.....	D7/395
D443,369 S	*	6/2001	Hsu	.....	D26/9
D480,913 S	*	10/2003	Hughes	.....	D7/395
D491,413 S	*	6/2004	Rosenthal	.....	D7/395

D500,600 S	*	1/2005	Hay et al.	.....	D8/107
D500,925 S	*	1/2005	Hay et al.	.....	D8/107
D500,926 S	*	1/2005	Hay	.....	D8/107
D500,927 S	*	1/2005	Hay	.....	D8/107

**OTHER PUBLICATIONS**

U.S. Appl. No. 29/202,051; filed Mar. 25, 2004.

U.S. Appl. No. 29/202,049; filed Mar. 25, 2004.

U.S. Appl. No. 29/203,208; filed Apr. 9, 2004.

\* cited by examiner

*Primary Examiner*—Gary D. Watson

*Assistant Examiner*—Terrence Huang

(74) *Attorney, Agent, or Firm*—Fross Zelnick Lehrman & Zissu, P.C.; David I. Greenbaum, Esq.

(57) **CLAIM**

The ornamental design for a handle for cooking utensils, as shown and described.

**DESCRIPTION**

FIG. 1 is a front view of a handle for cooking utensils showing my new design;

FIG. 2 is a perspective view thereof;

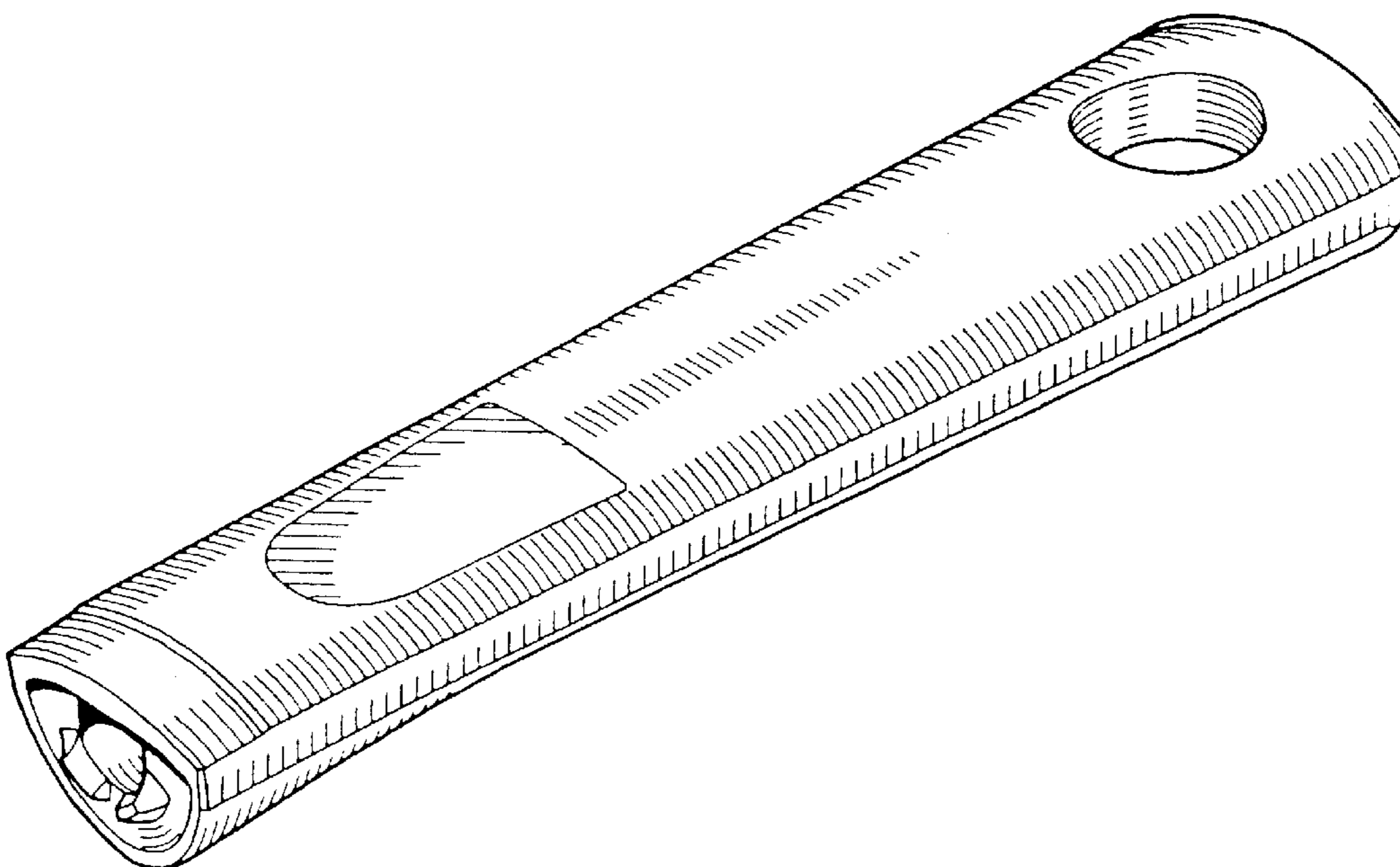
FIG. 3 is a top view thereof;

FIG. 4 is a bottom view thereof;

FIG. 5 is a rear view thereof; and,

FIG. 6 is a left side view thereof, the right side view being a mirror image.

**1 Claim, 6 Drawing Sheets**



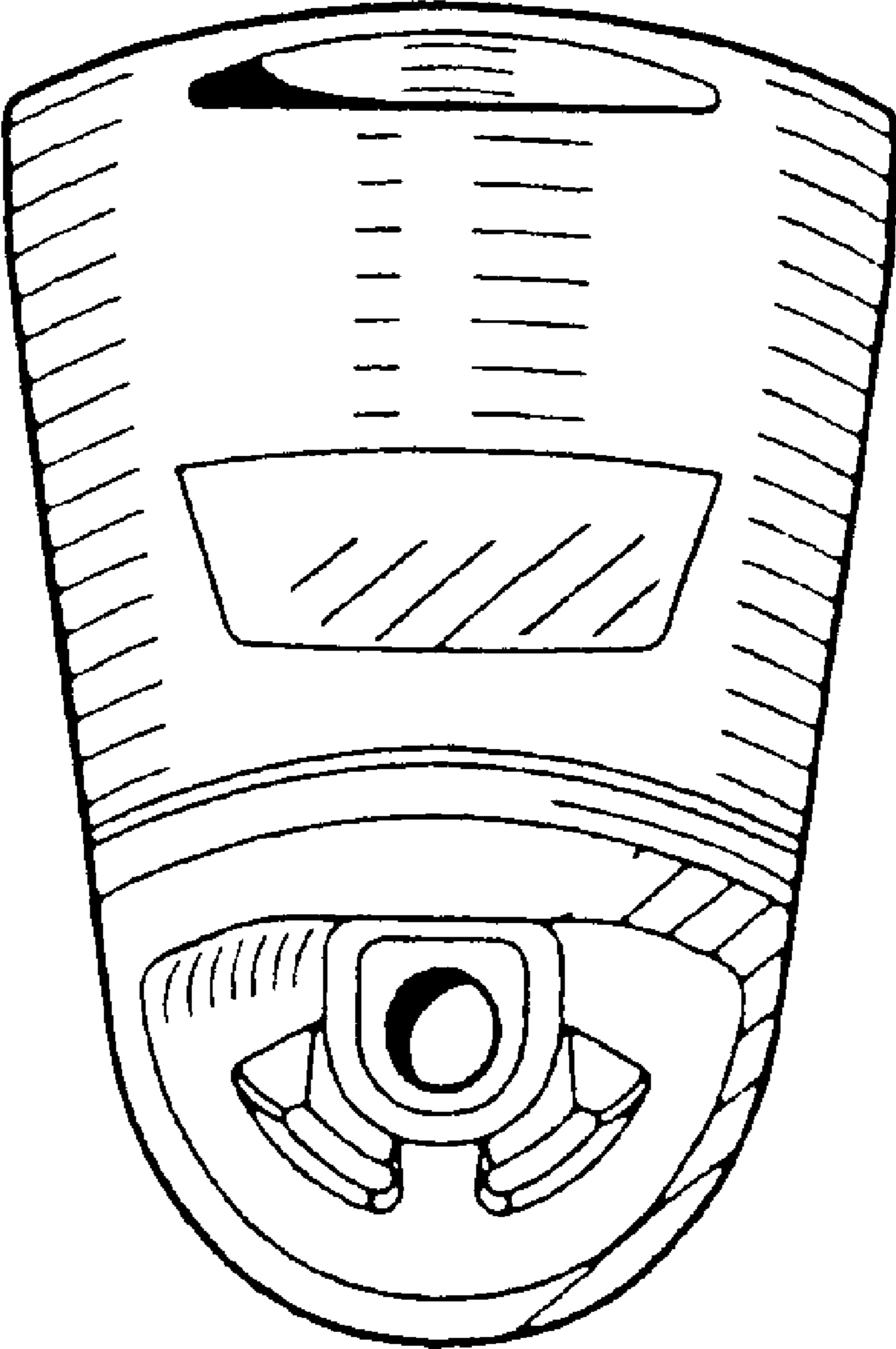


FIGURE 1

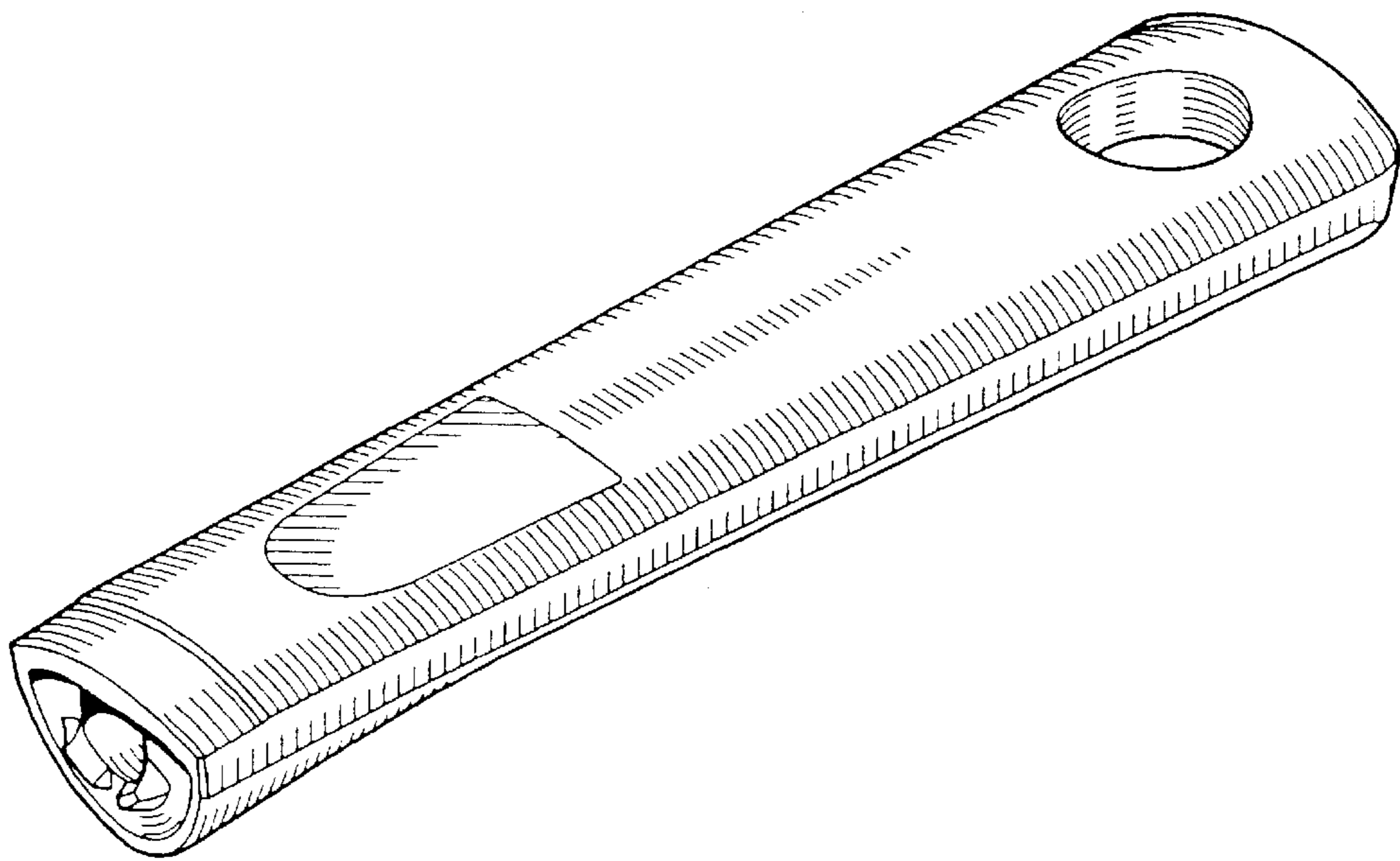


FIGURE 2

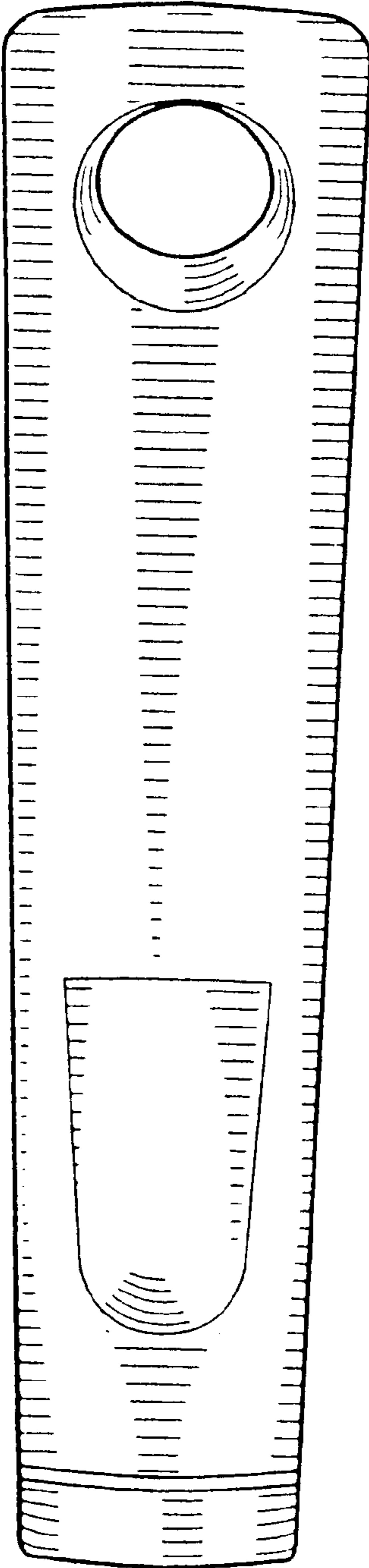


FIGURE 3

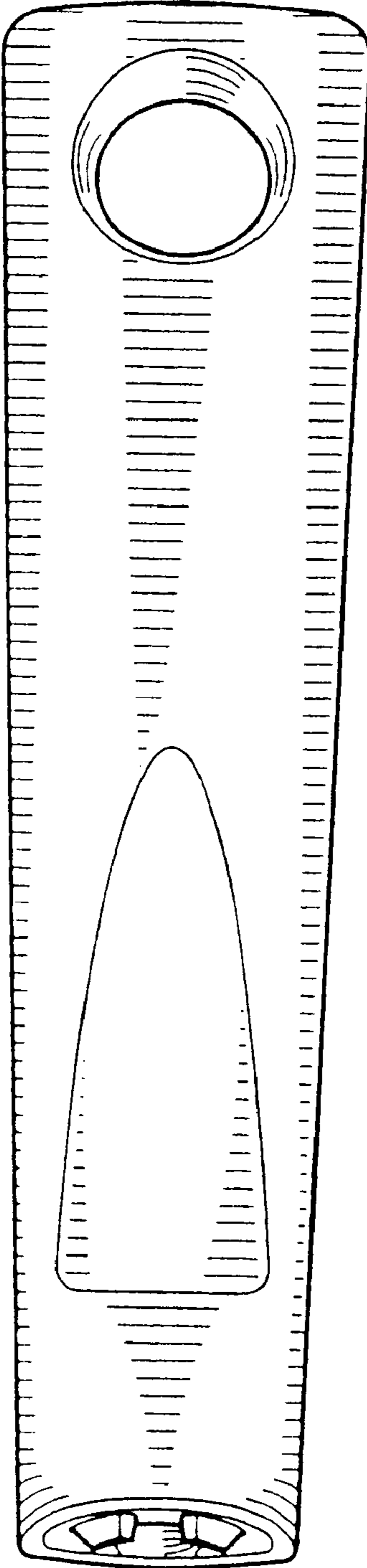


FIGURE 4

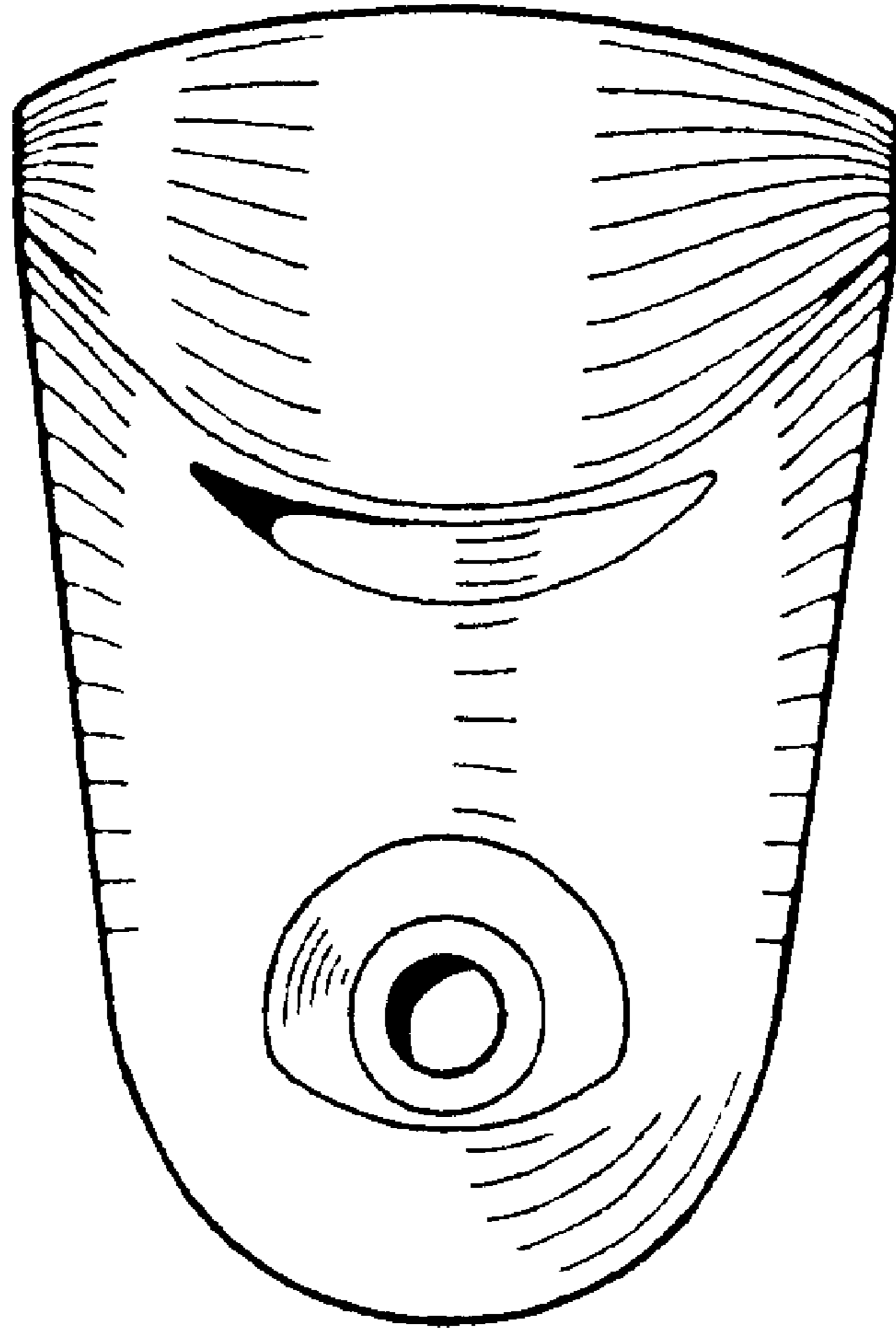


FIGURE 5

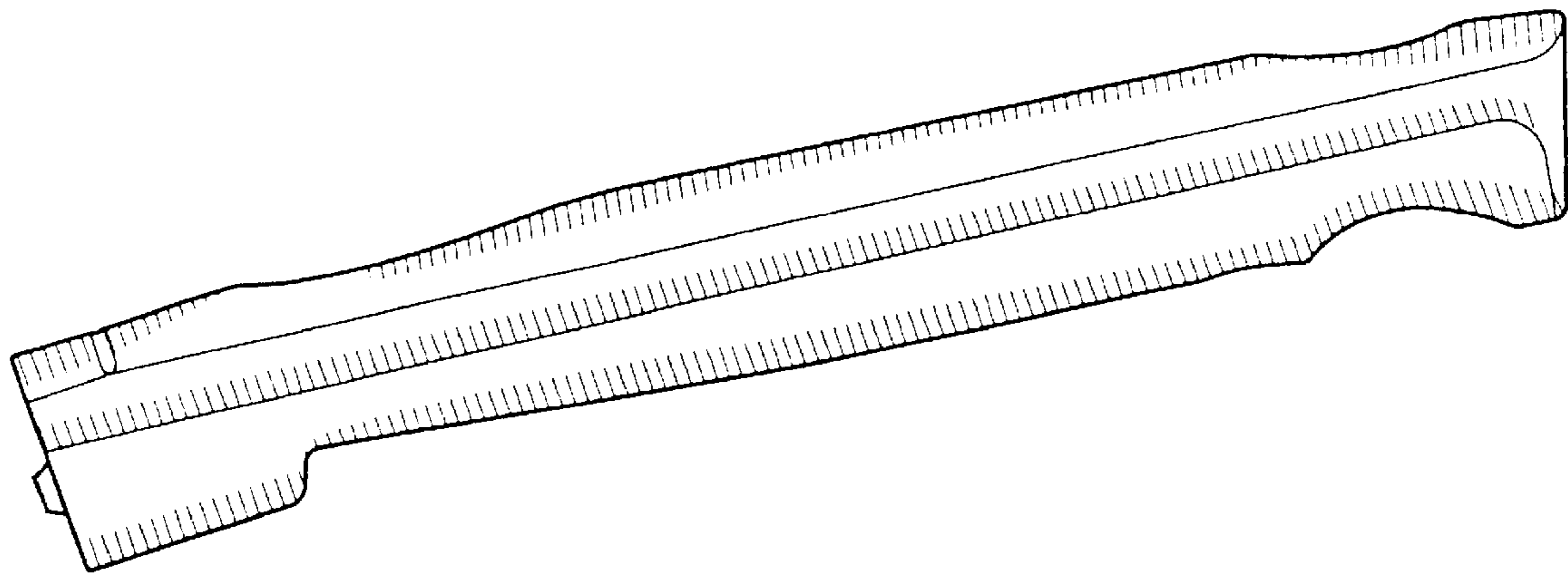


FIGURE 6