

US00D508625S

(12) **United States Design Patent**
Frenkler et al.

(10) **Patent No.:** **US D508,625 S**
(45) **Date of Patent:** **** Aug. 23, 2005**

(54) **TABLE**

(75) Inventors: **Fritz Frenkler**, Frankfurt (DE); **Sven Birkenheuer**, Frankfurt (DE); **Hisashi Ejima**, Osaka (JP)

(73) Assignee: **Kokuyo Co., Ltd.**, Osaka (JP)

(**) **Term:** **14 Years**

(21) Appl. No.: **29/202,607**

(22) Filed: **Apr. 2, 2004**

(30) **Foreign Application Priority Data**

Oct. 22, 2003 (JP) 2003-031152
Oct. 22, 2003 (JP) 2003-031153

(51) **LOC (8) Cl.** **06-03**

(52) **U.S. Cl.** **D6/484; D6/487**

(58) **Field of Search** D6/480-489, 495-499,
D6/511; 108/50.01, 50.02, 153.1, 155, 156,
157.1, 161; 248/188, 188.1, 188.8; 312/208.1,
208.2, 223.1, 223.2, 223.3

(56) **References Cited**

U.S. PATENT DOCUMENTS

D152,686 S * 2/1949 Guild et al. D6/496

D354,643 S * 1/1995 Hansel et al. D6/484
D376,712 S * 12/1996 Mezger D6/487
D489,949 S * 5/2004 Chung D7/665

* cited by examiner

Primary Examiner—Janice E. Seeger
(74) *Attorney, Agent, or Firm*—Banner & Witcoff Ltd.

(57) **CLAIM**

The ornamental design for a table, as shown and described.

DESCRIPTION

FIG. 1 is a front elevational view of a first embodiment of a table showing our new design;

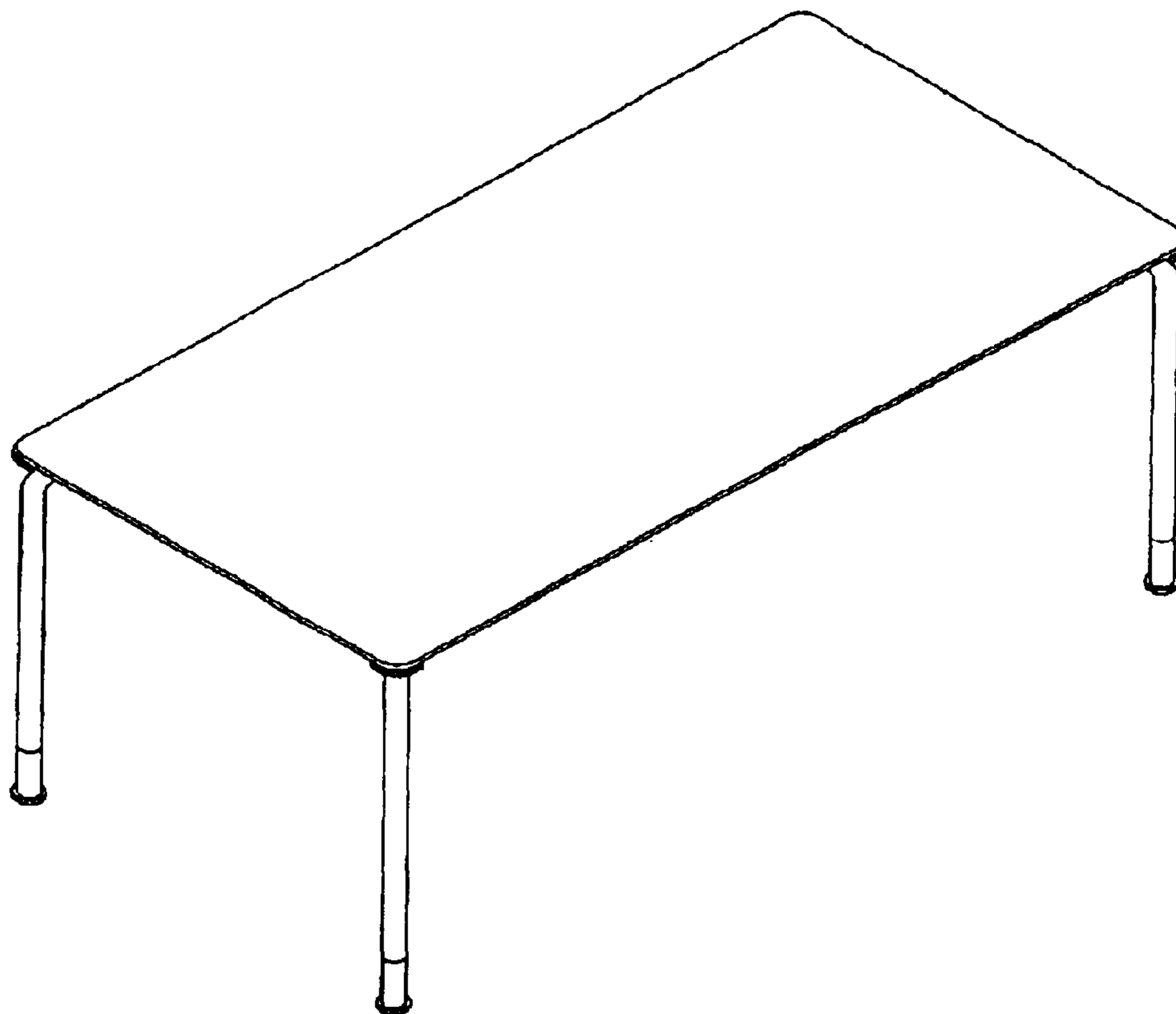
FIG. 2 is a top plan view thereof;

FIG. 3 is a bottom plan view thereof;

FIG. 4 is a right side elevational view thereof, the left side being a mirror image thereof; and,

FIG. 5 is a perspective view.

1 Claim, 5 Drawing Sheets



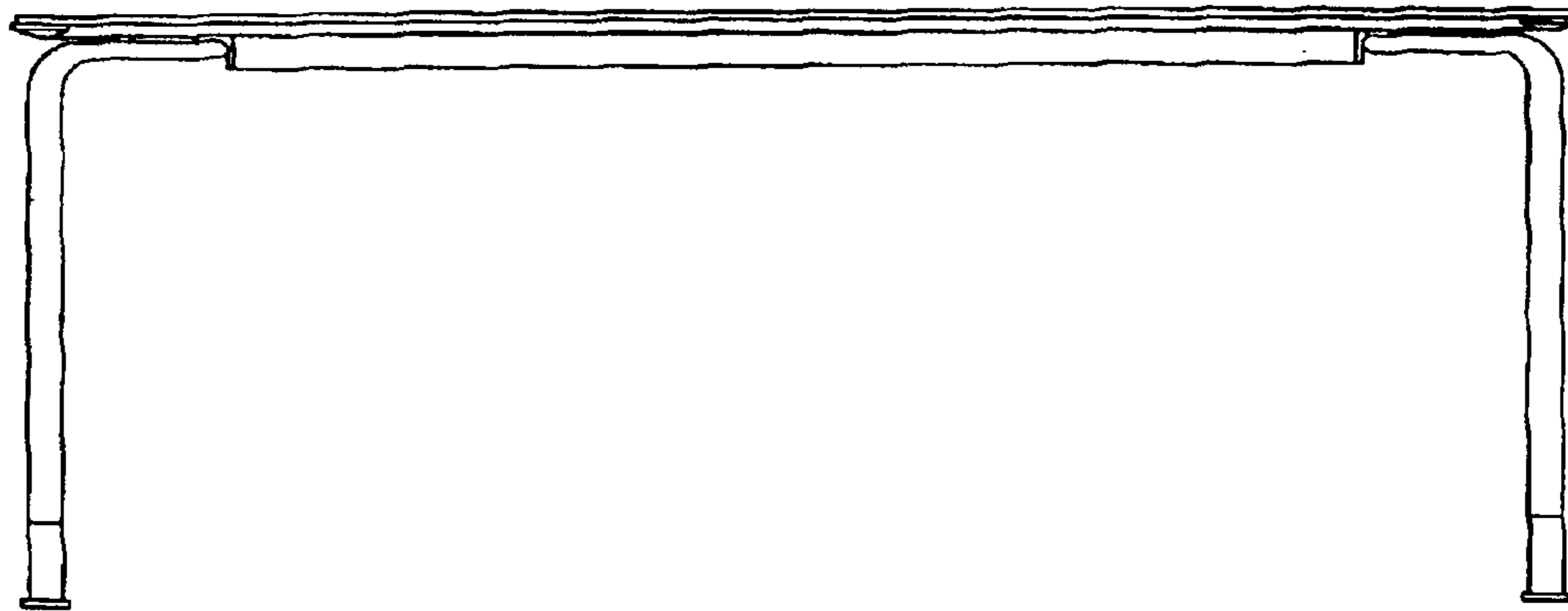


FIG. 1

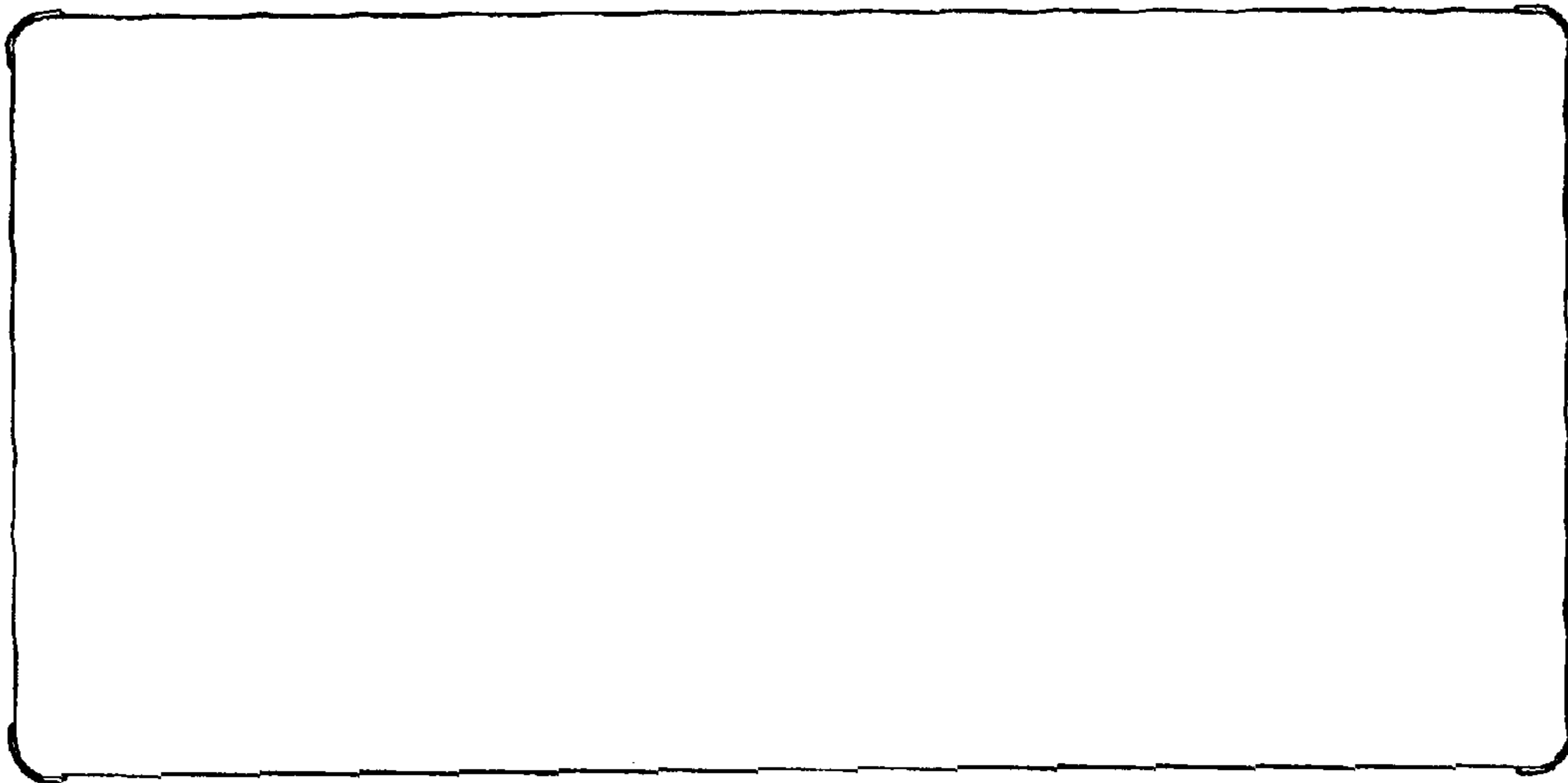


FIG. 2

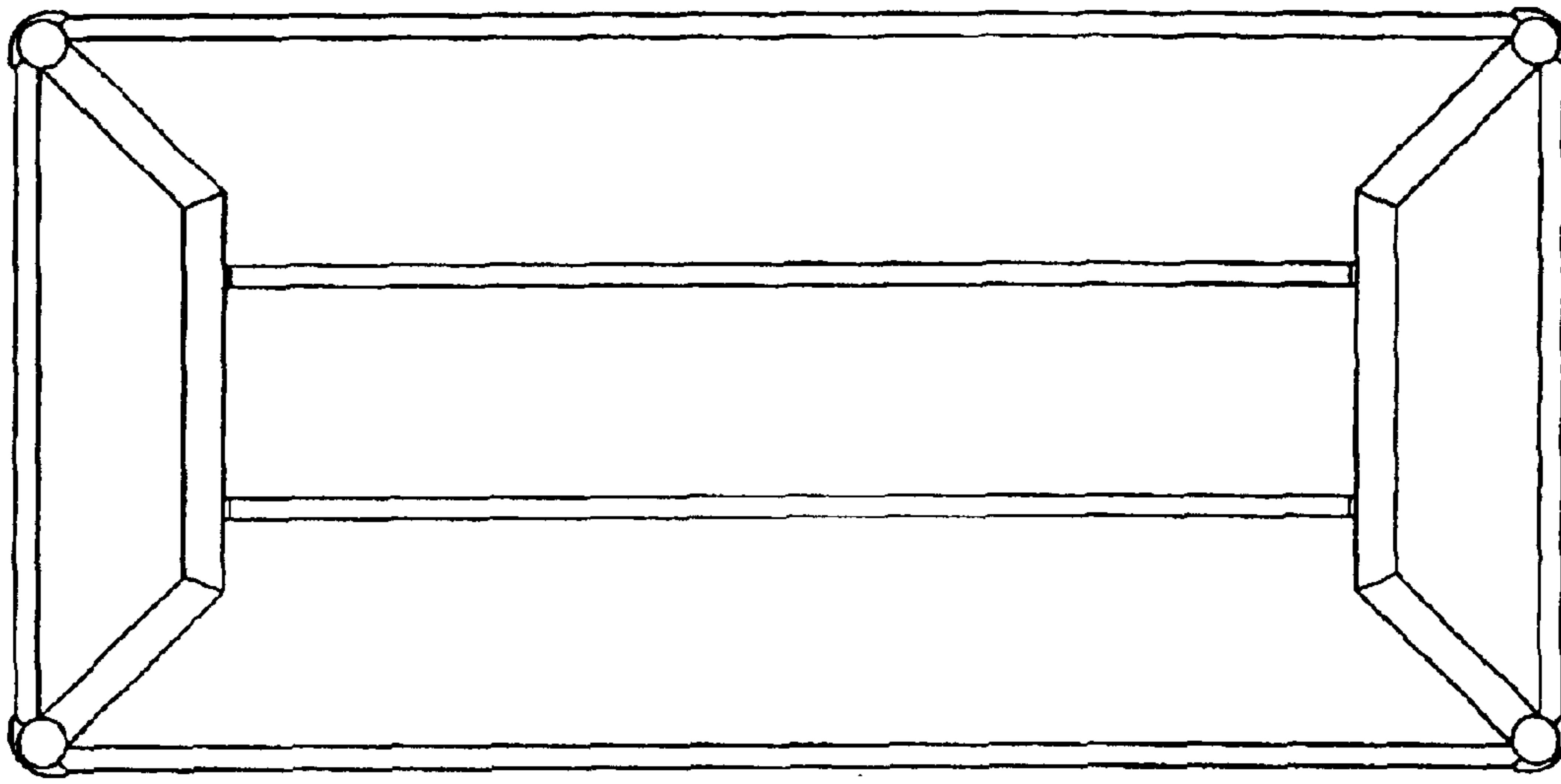


FIG. 3

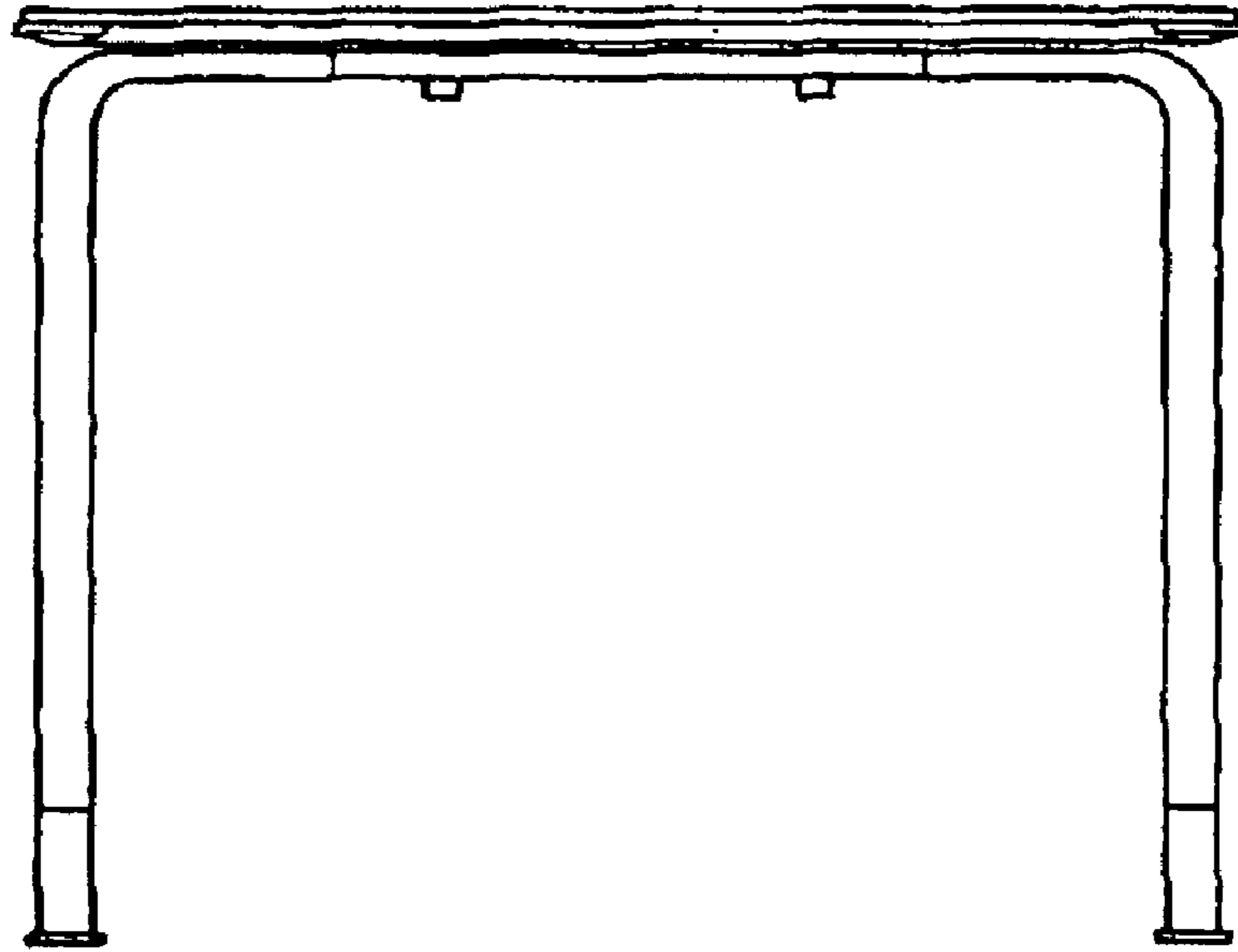


FIG. 4

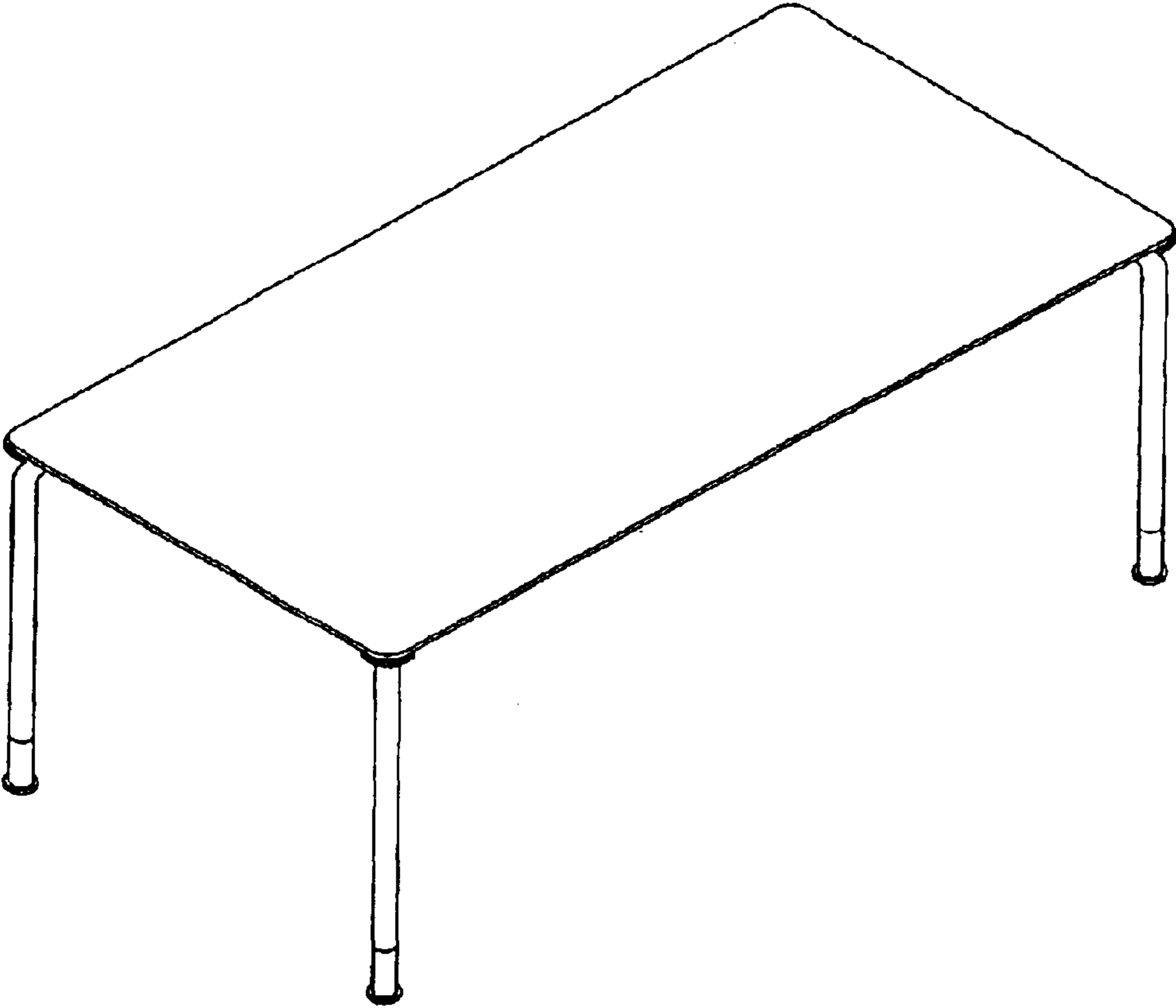


FIG. 5