



US00D508623S

(12) **United States Design Patent**
Langford et al.

(10) **Patent No.:** **US D508,623 S**

(45) **Date of Patent:** **** Aug. 23, 2005**

(54) **DISPLAY UNIT**

(76) Inventors: **Jonathan Langford**, 4 Threave Close,
Putnoe, Bedford, Bedfordshire MK4
8PD (GB); **David Wolfenden**, 2
Clydesdale Rise, Diggle, Saddleworth
OL3 5PX (GB)

(**) **Term:** **14 Years**

(21) **Appl. No.:** **29/222,495**

(22) **Filed:** **Jan. 31, 2005**

Related U.S. Application Data

(62) Division of application No. 29/190,700, filed on Sep. 25,
2003.

(51) **LOC (8) Cl.** **06-04**

(52) **U.S. Cl.** **D6/468**

(58) **Field of Search** D6/396, 397, 449,
D6/450, 467, 469; D19/22, 23, 75, 77,
78, 79, 91-93; D26/51; 206/214, 224, 371;
211/10, 11, 13.1, 69.1

(56) **References Cited**

U.S. PATENT DOCUMENTS

D342,095 S * 12/1993 Peersmann D19/78

D349,170 S * 7/1994 Lin D26/51
D357,941 S * 5/1995 Davis D19/92
6,591,990 B2 * 7/2003 Lanman et al. 211/10
2003/0010728 A1 * 1/2003 Lanman et al. 211/10

* cited by examiner

Primary Examiner—Mimosa De
(74) *Attorney, Agent, or Firm*—Kwadjo Adusei-Poku;
Lloyd D. Doigan

(57) **CLAIM**

The ornamental design for a display unit, as shown and
described.

DESCRIPTION

FIG. 1 is a front perspective view of a display unit showing
our new design;

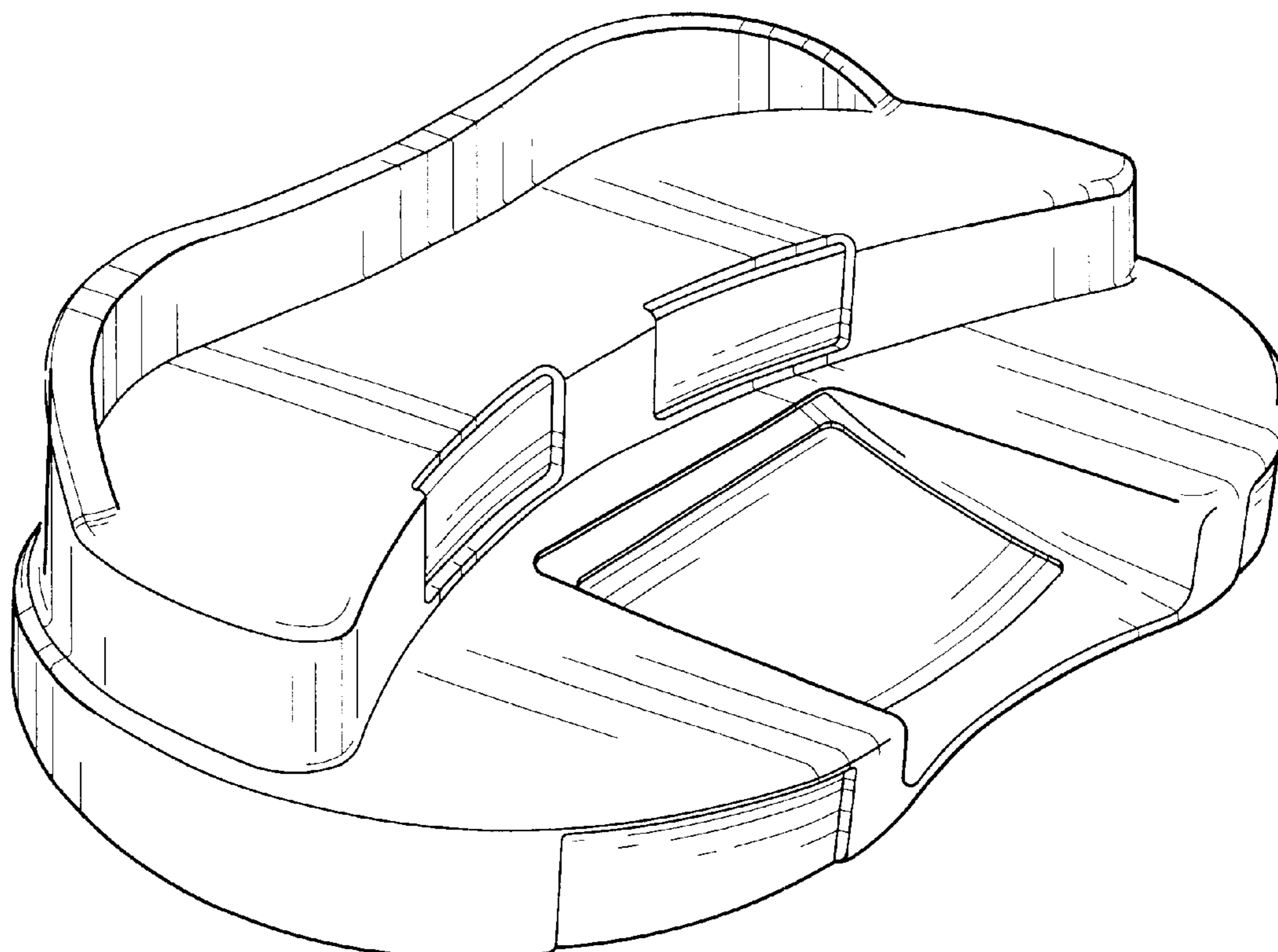
FIG. 2 is a top plan view thereof;

FIG. 3 is a front elevational view thereof;

FIG. 4 is a rear elevational view thereof; and,

FIG. 5 is a right side elevational view thereof, the left side
elevational view being a mirror image thereof.

1 Claim, 2 Drawing Sheets



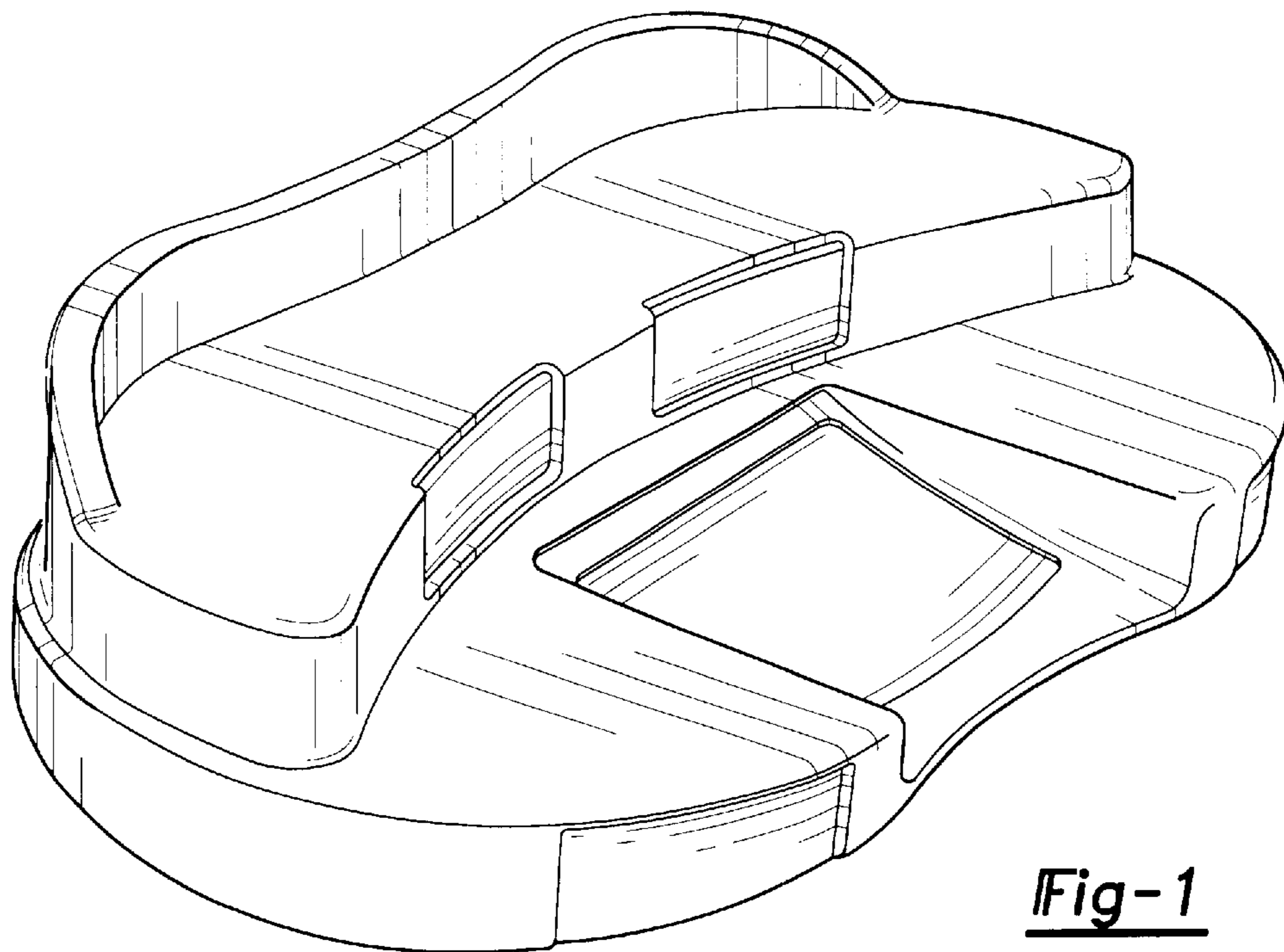


Fig-1

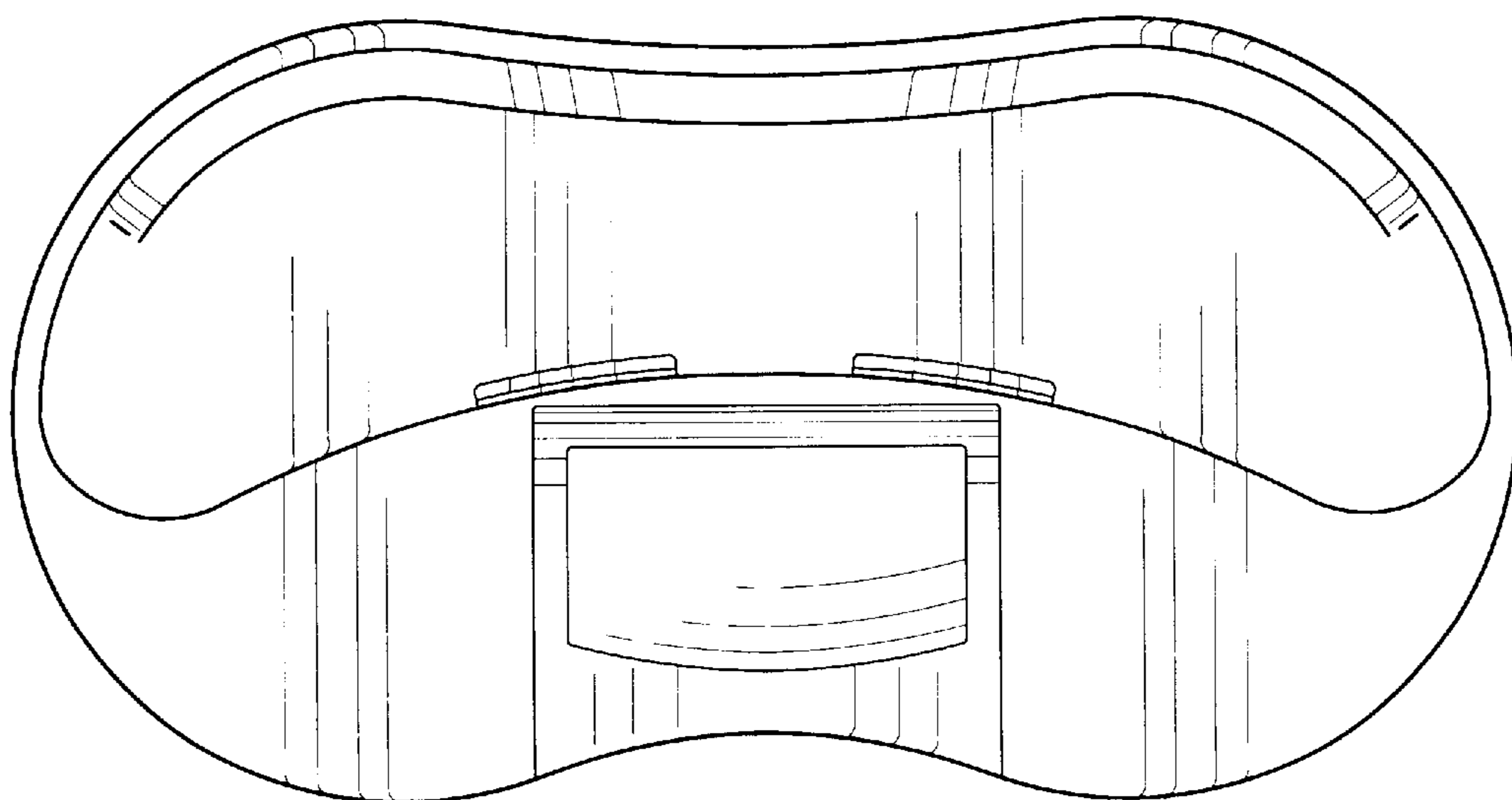


Fig-2

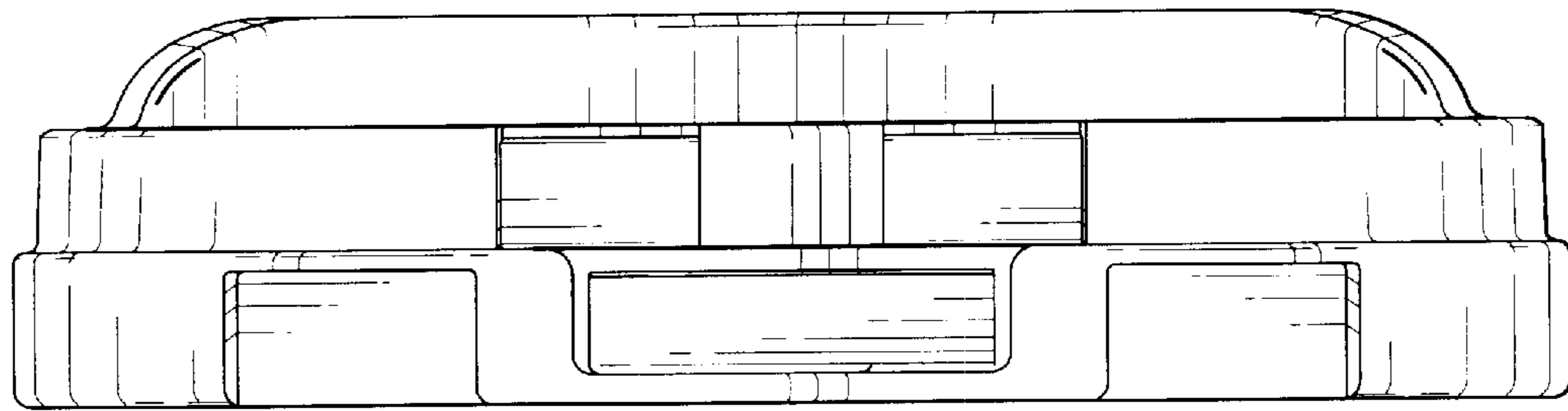


Fig-3

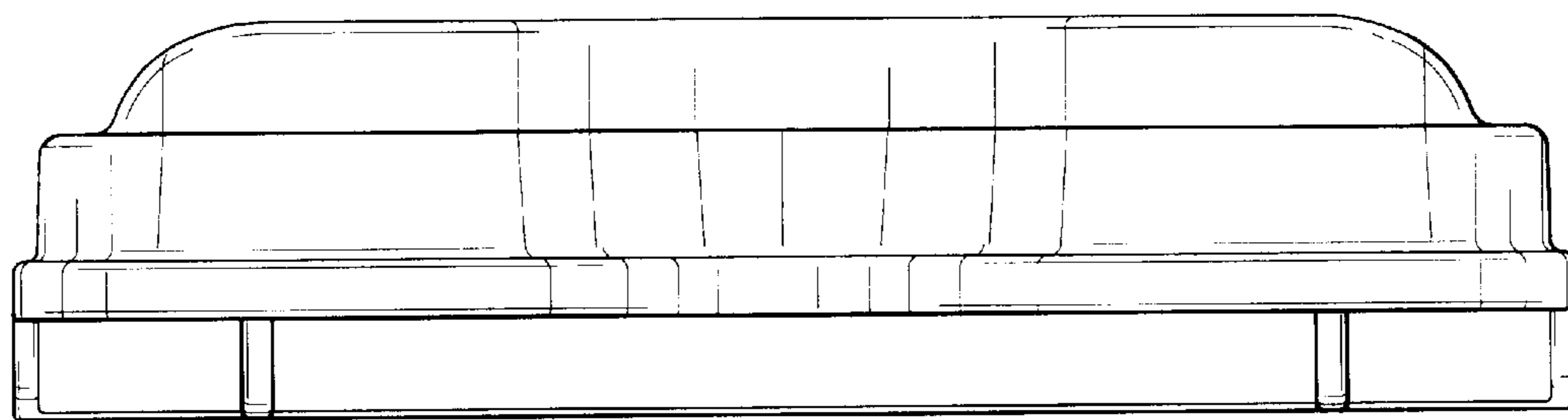


Fig-4

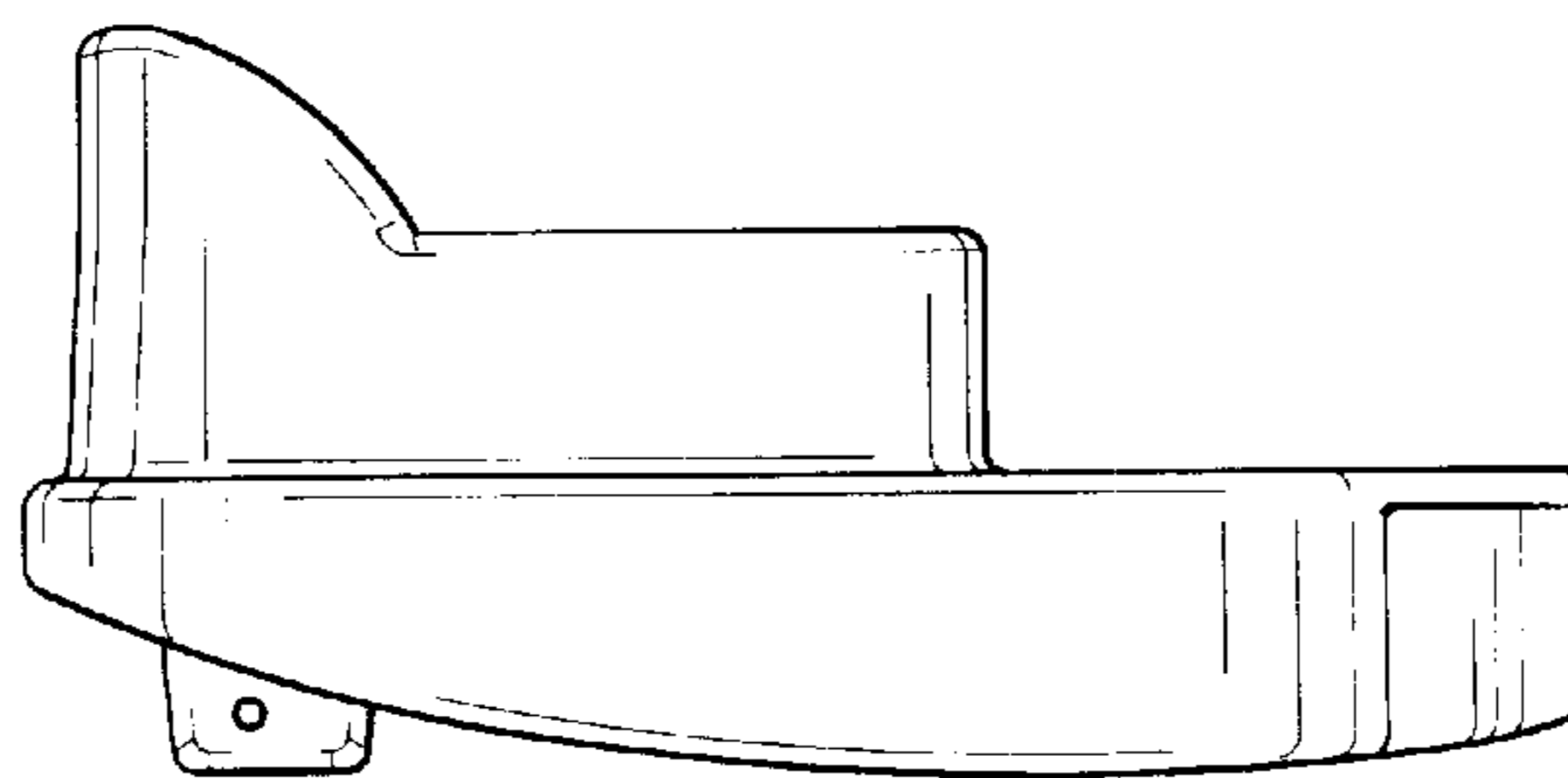


Fig-5