



US00D508618S

(12) **United States Design Patent**
Mourgue

(10) **Patent No.:** **US D508,618 S**

(45) **Date of Patent:** **** Aug. 23, 2005**

(54) **SOFA**

(75) **Inventor:** **Pascal Mourgue**, Montreuil sous Bois (FR)

(73) **Assignee:** **Cinna** (FR)

(**) **Term:** **14 Years**

(21) **Appl. No.:** **29/181,782**

(22) **Filed:** **May 14, 2003**

(30) **Foreign Application Priority Data**

Nov. 14, 2002 (WO) DM/061 977

(51) **LOC (8) Cl.** **06-01**

(52) **U.S. Cl.** **D6/375; D6/334; D6/381**

(58) **Field of Search** D6/334, 335, 336, D6/361, 371, 374, 375, 381, 500-502; 5/12.1; 297/232, 445.1, DIG. 1

(56) **References Cited**

U.S. PATENT DOCUMENTS

D177,081 S	*	3/1956	Wells	D6/334
D245,819 S	*	9/1977	Tillberg	D6/334
D281,839 S	*	12/1985	Hopfer	D6/335
D304,266 S	*	10/1989	Frinier	D6/381
D368,176 S	*	3/1996	Mourgue	D6/381

D384,216 S	*	9/1997	Mourgue	D6/381
D387,211 S	*	12/1997	Mourgue	D6/361
D393,753 S	*	4/1998	Mourgue	D6/334
D400,362 S	*	11/1998	Mourgue	D6/334
D457,005 S	*	5/2002	Mourgue	D6/334
D462,537 S	*	9/2002	Werner	D6/375

* cited by examiner

Primary Examiner—Gary D. Watson

(74) *Attorney, Agent, or Firm*—Cantor Colburn LLP

(57) **CLAIM**

The ornamental design for a sofa, as shown and described.

DESCRIPTION

FIG. 1 is a front perspective view of a sofa, showing my new design;

FIG. 2 is a front elevational view thereof;

FIG. 3 is a side elevational view thereof taken from the left of FIG. 2 thereof;

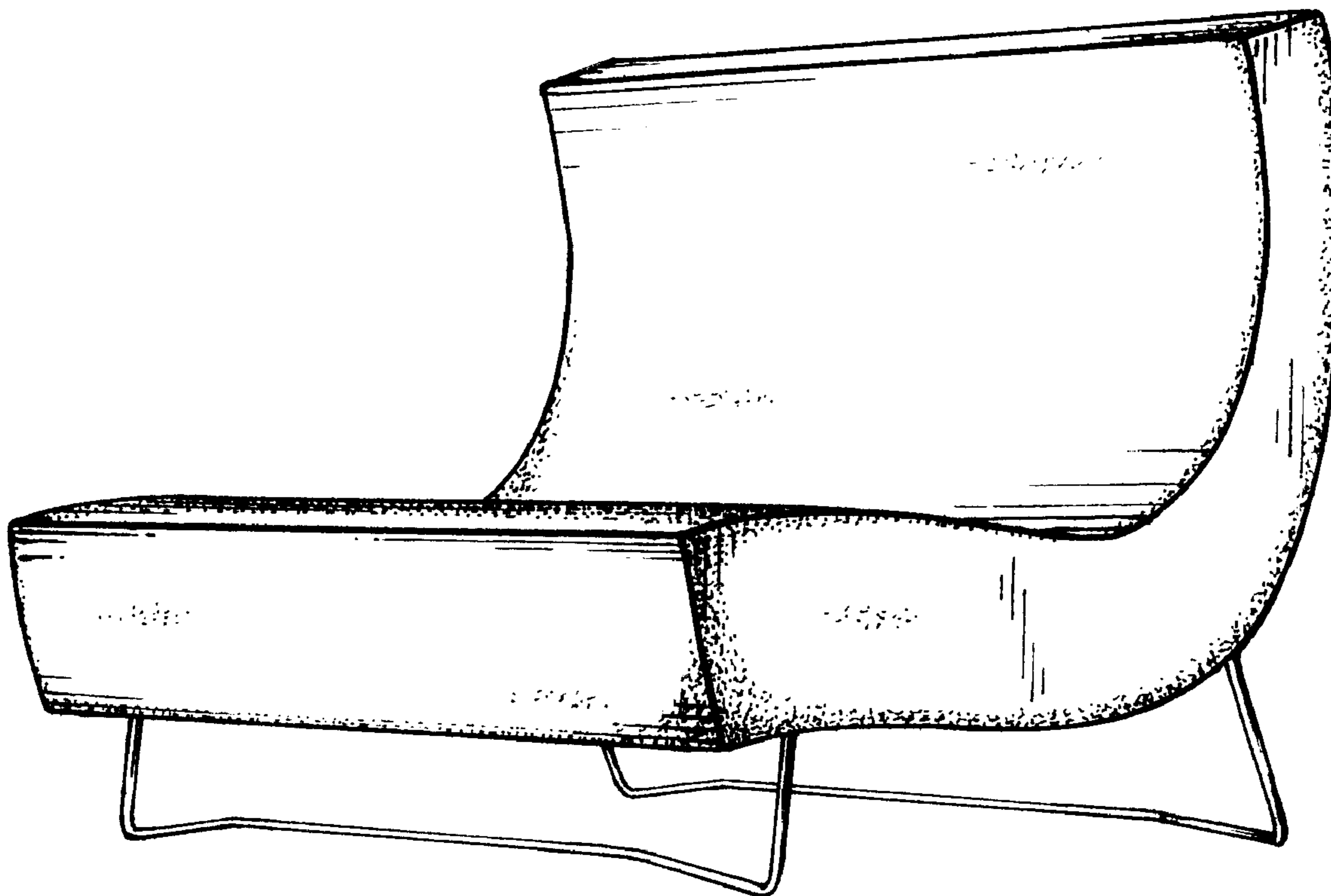
FIG. 4 is a side elevational view thereof taken from the right of FIG. 2 thereof;

FIG. 5 is a rear elevational view thereof;

FIG. 6 is a top plan view thereof; and,

FIG. 7 is a front perspective view thereof, the sofa being in an alternate position.

1 Claim, 4 Drawing Sheets



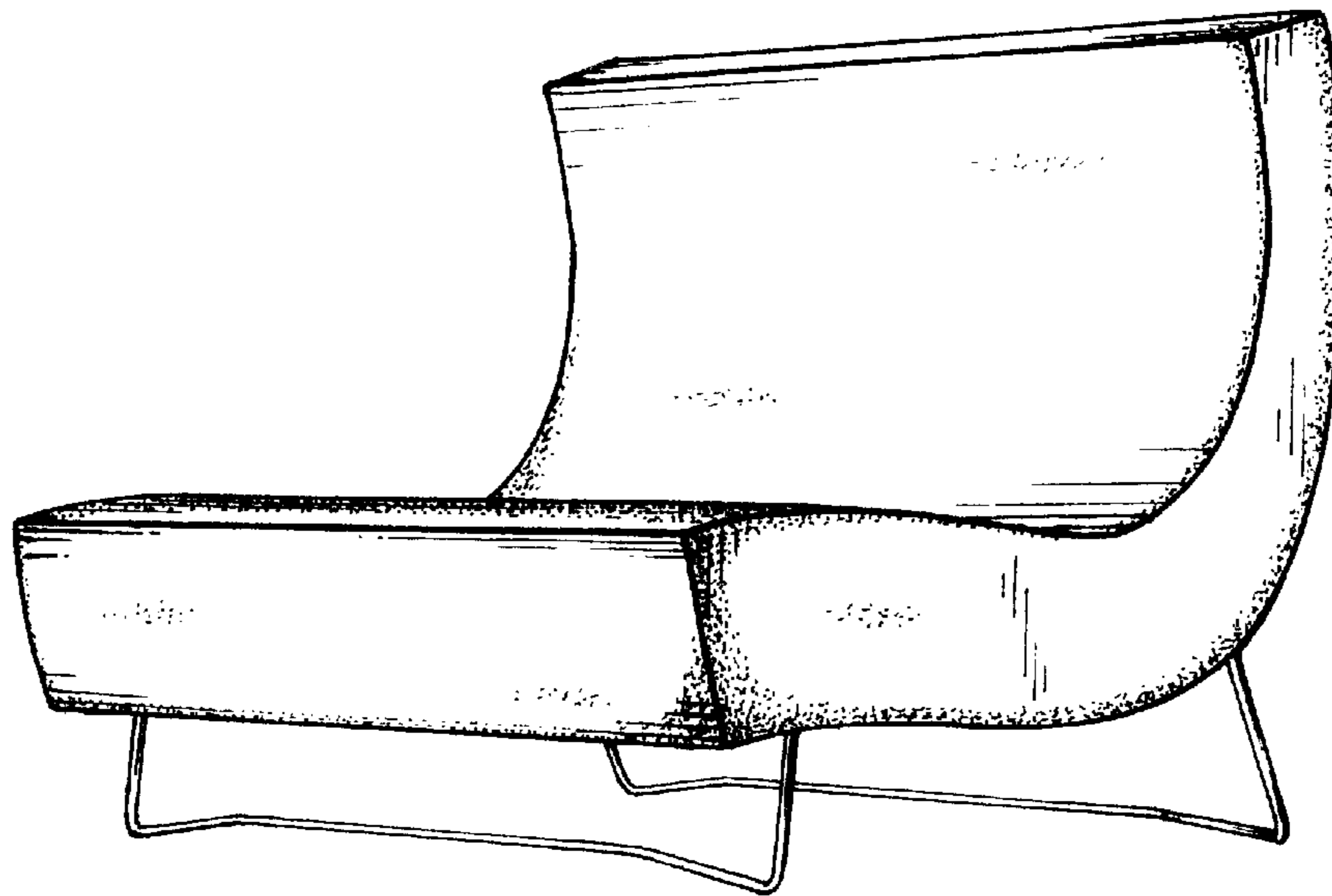


FIG. 1

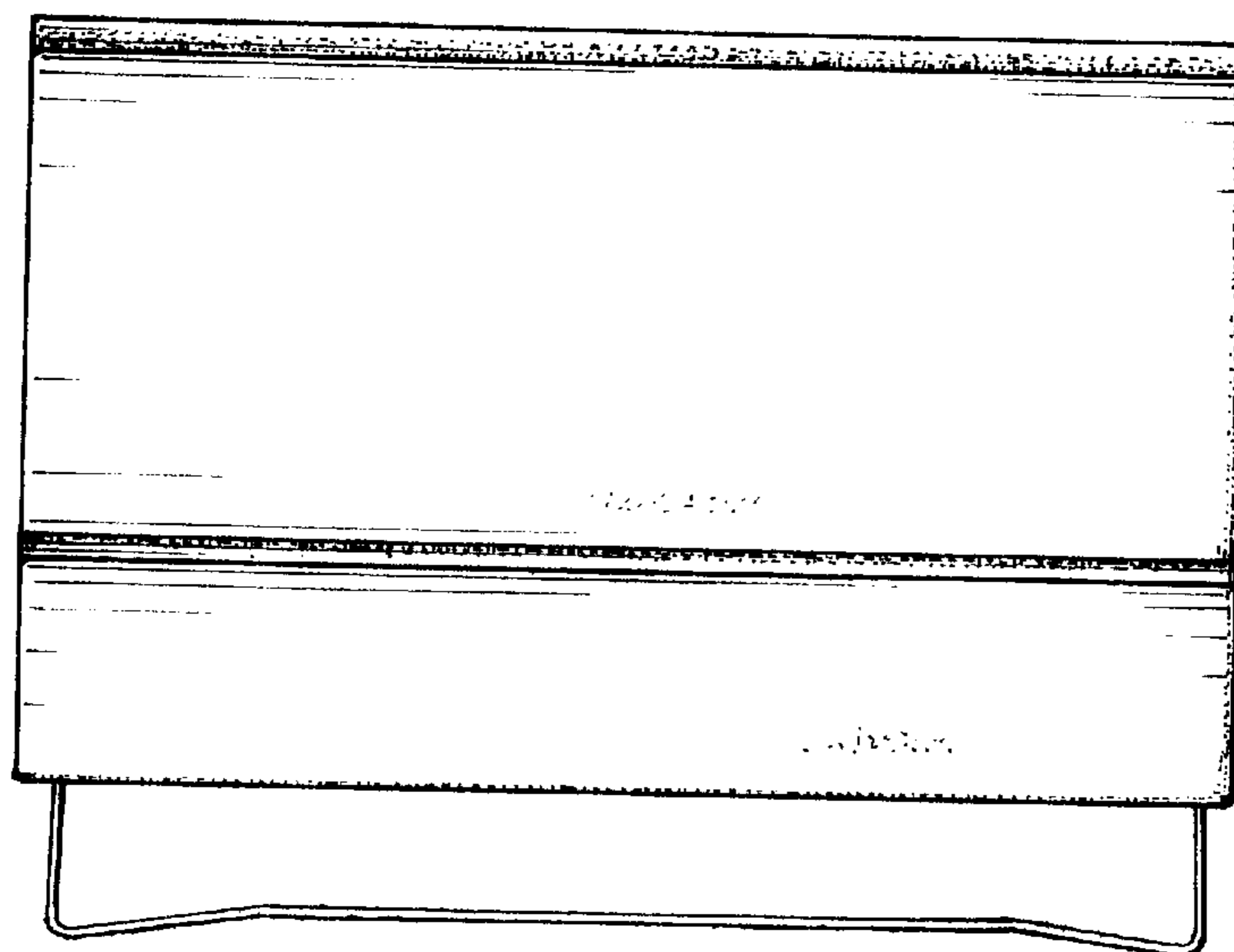


FIG. 2

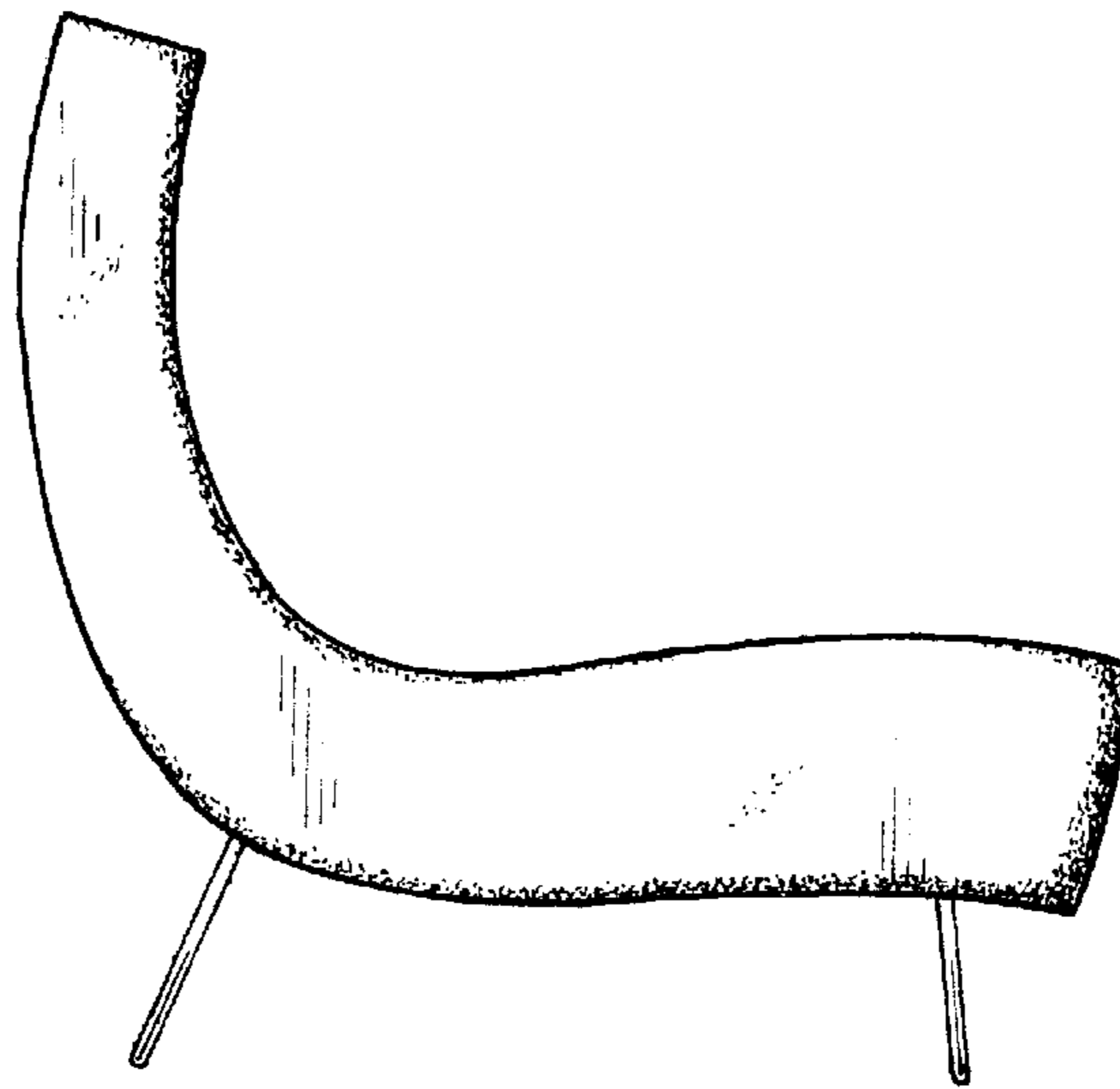


FIG. 3

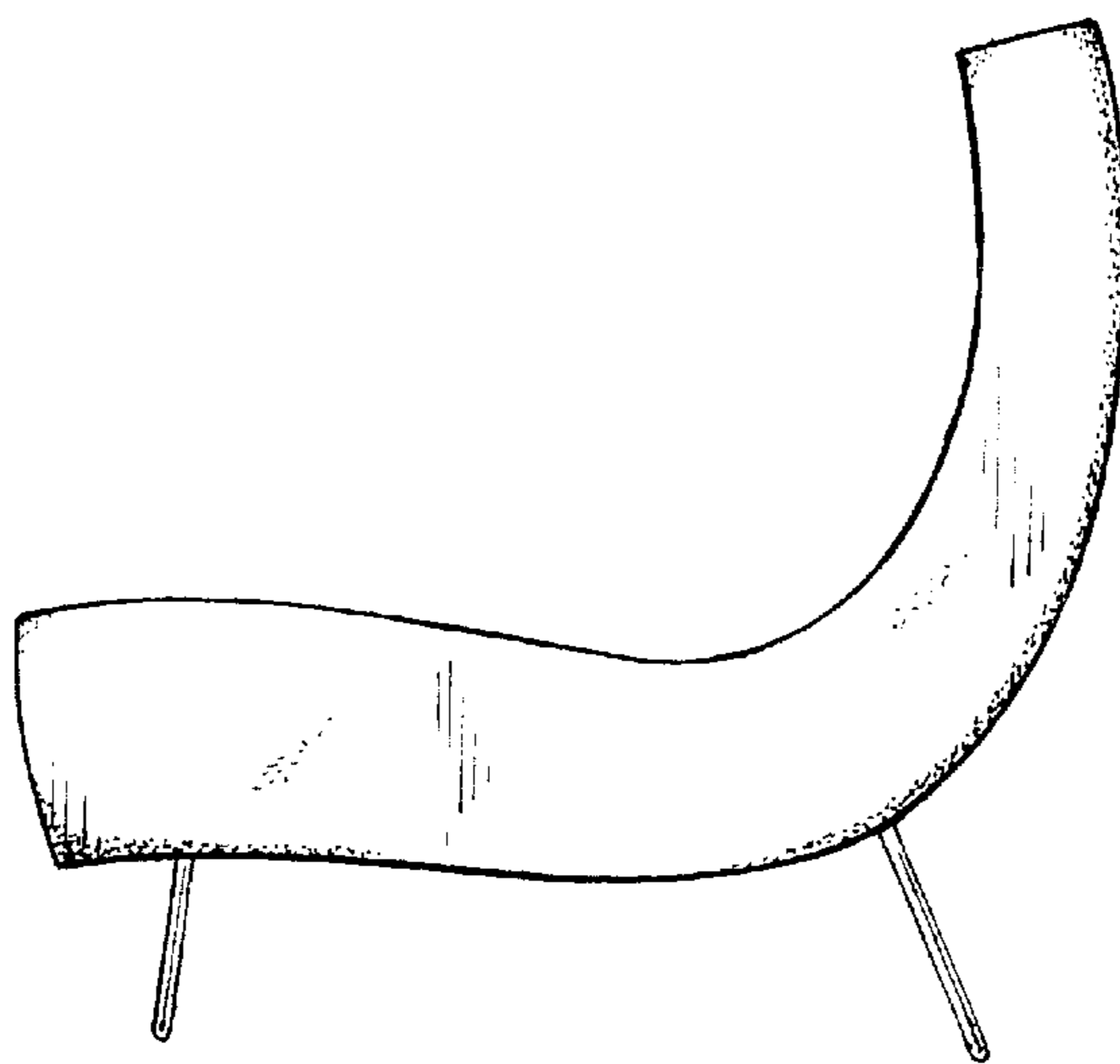


FIG. 4

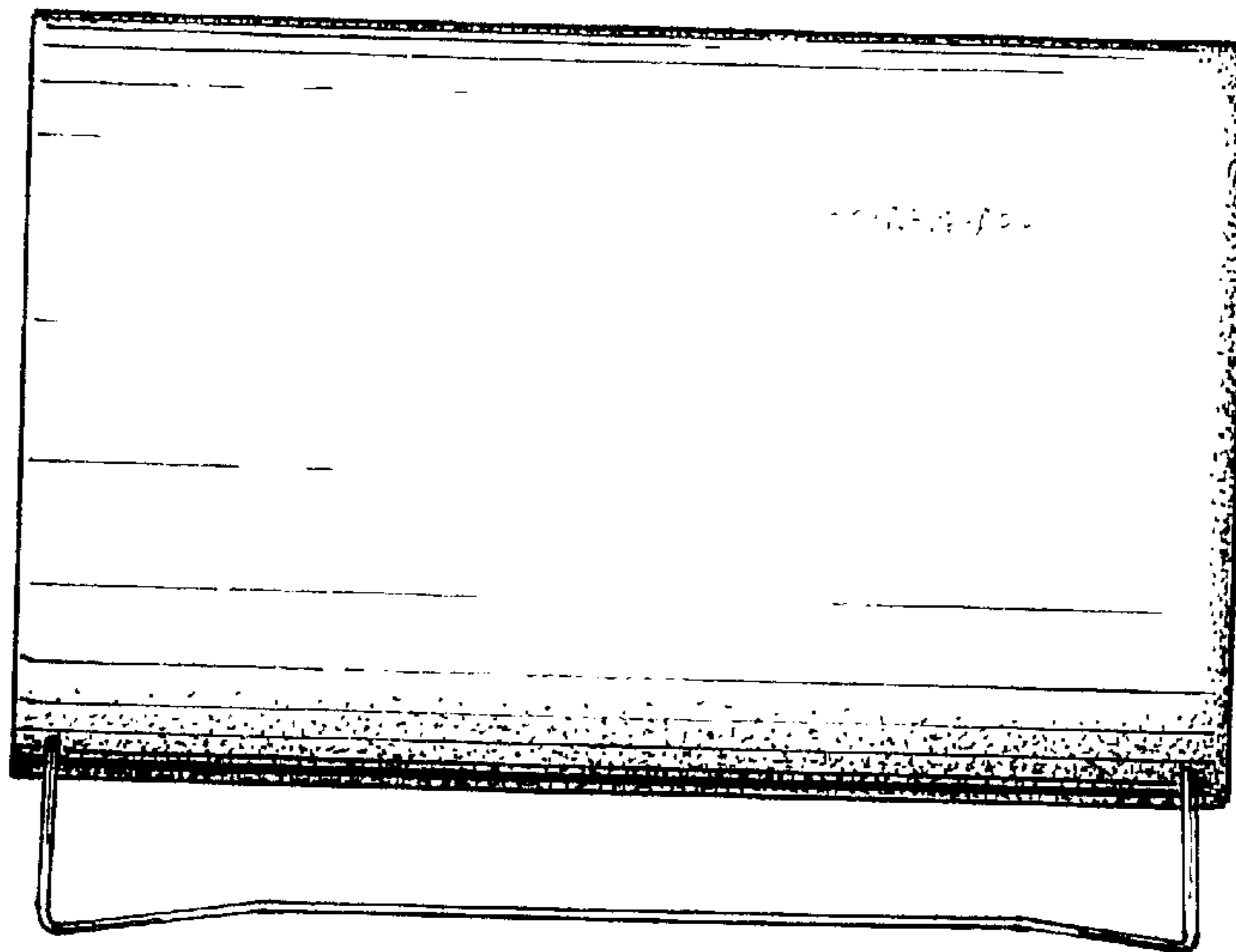


FIG. 5

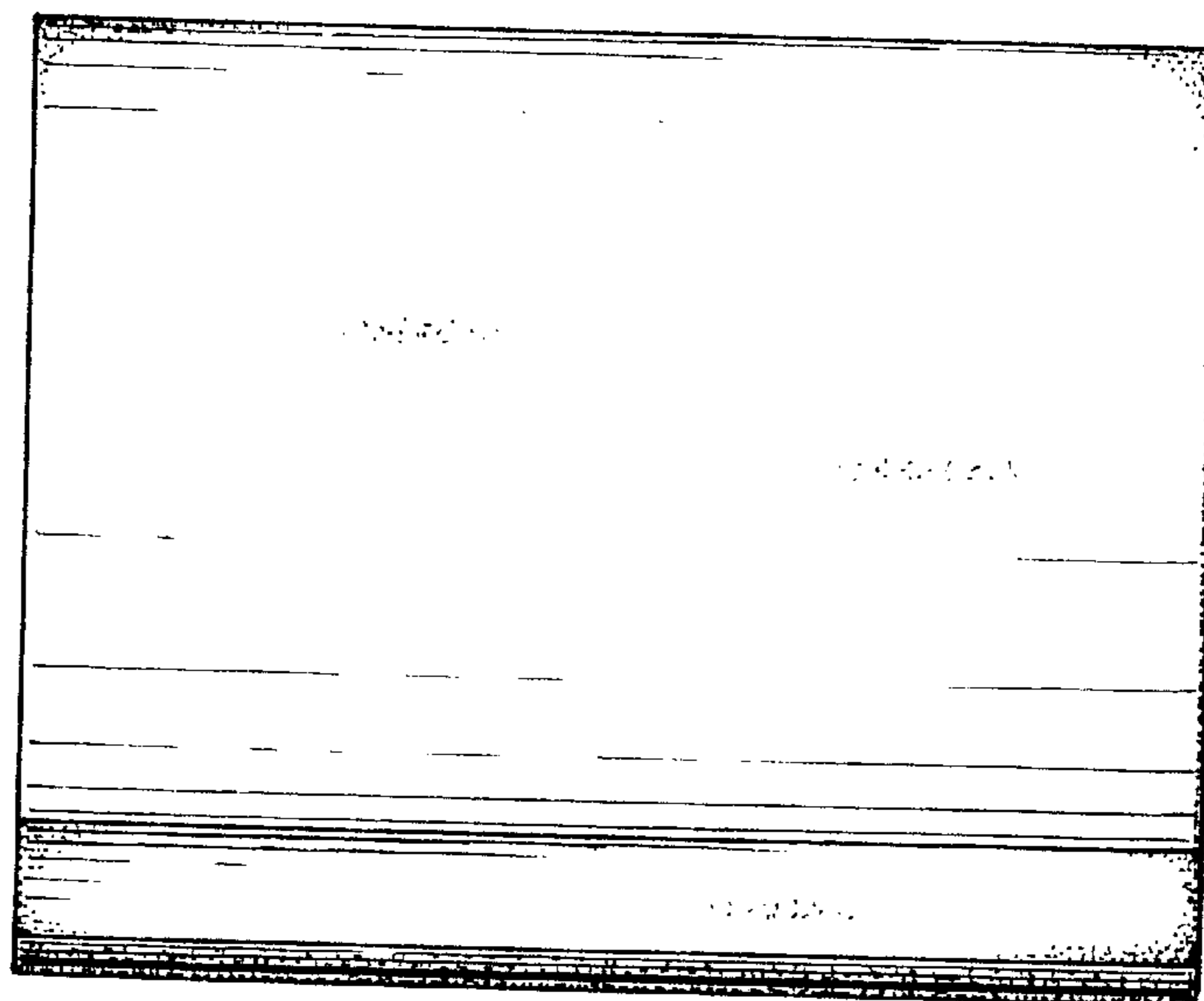


FIG. 6

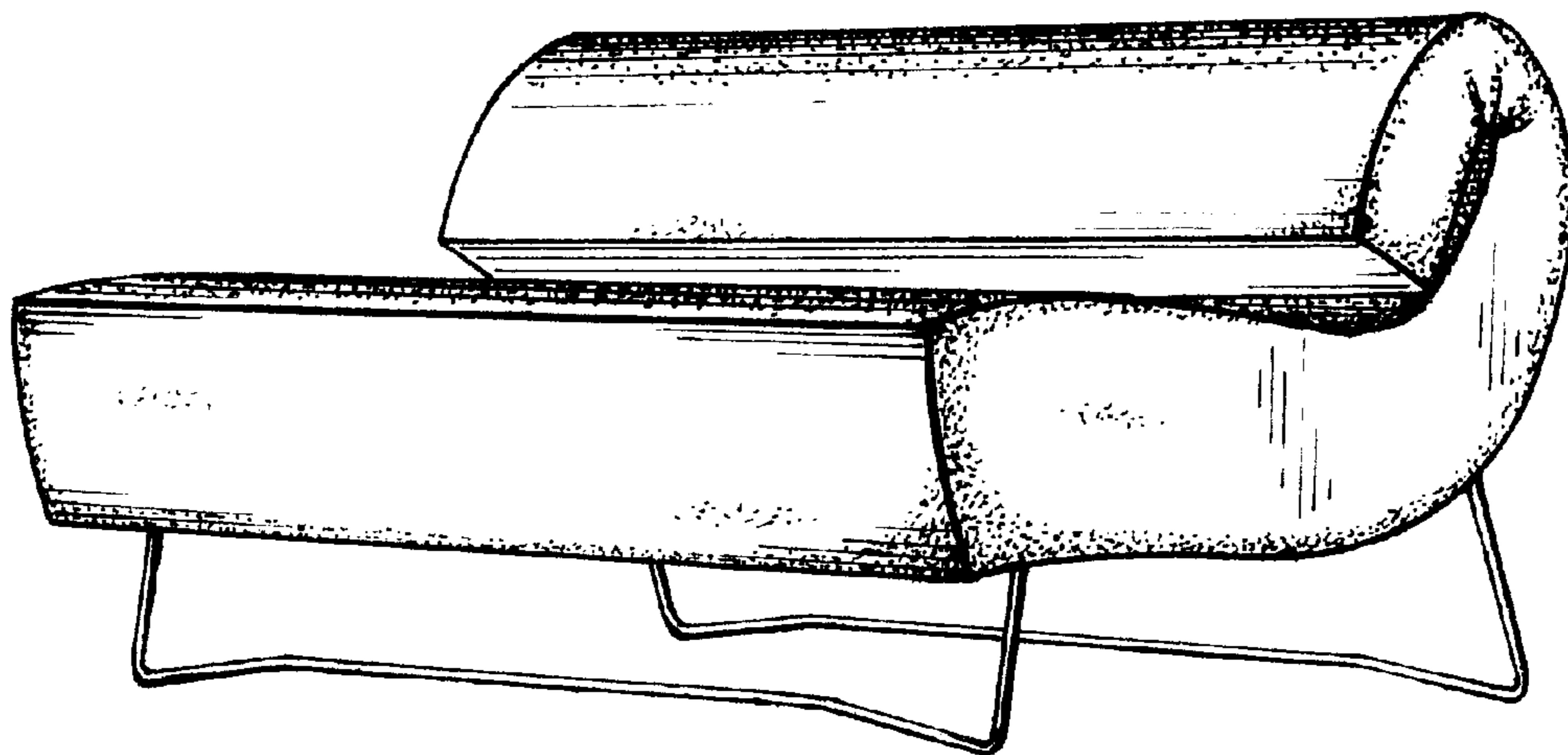


FIG. 7