

US00D508616S

(12) **United States Design Patent**  
**Ziliani**

(10) **Patent No.:** **US D508,616 S**

(45) **Date of Patent:** **\*\* Aug. 23, 2005**

(54) **ARMCHAIR**

D238,222 S \* 12/1975 Eberia ..... D6/375  
D279,054 S \* 6/1985 Longley et al. .... D6/364  
D321,436 S \* 11/1991 Paris ..... D6/364

(75) **Inventor:** **Marcello Ziliani**, Brescia (IT)

(73) **Assignee:** **Sintesi 2 SpA**, Spilimbergo (IT)

(\*\*) **Term:** **14 Years**

\* cited by examiner

*Primary Examiner*—Mimosa De

(74) *Attorney, Agent, or Firm*—Antonelli, Terry, Stout & Kraus, LLP

(21) **Appl. No.:** **29/218,951**

(22) **Filed:** **Dec. 10, 2004**

(57) **CLAIM**

The ornamental design for a armchair, as shown.

(51) **LOC (8) Cl.** ..... **06-01**

(52) **U.S. Cl.** ..... **D6/364**

(58) **Field of Search** ..... D6/334, 360, 364,  
D6/365, 366, 374, 375, 376, 500–502;  
297/411.45, 440.11, 452.13

**DESCRIPTION**

FIG. 1 is a front view of the armchair showing my new design;

FIG. 2 is a left side view thereof;

FIG. 3 is a right side view thereof;

FIG. 4 is a back view thereof; and

FIG. 5 is a top view thereof;

FIG. 6 is a bottom view thereof; and,

FIG. 7 is a perspective view.

(56) **References Cited**

**U.S. PATENT DOCUMENTS**

D195,553 S \* 7/1963 Isola ..... D6/364  
3,471,200 A \* 10/1969 Morrison ..... 297/440.11  
D228,371 S \* 9/1973 Gill ..... D6/364  
3,863,981 A \* 2/1975 Doyle ..... 297/452.13

**1 Claim, 7 Drawing Sheets**

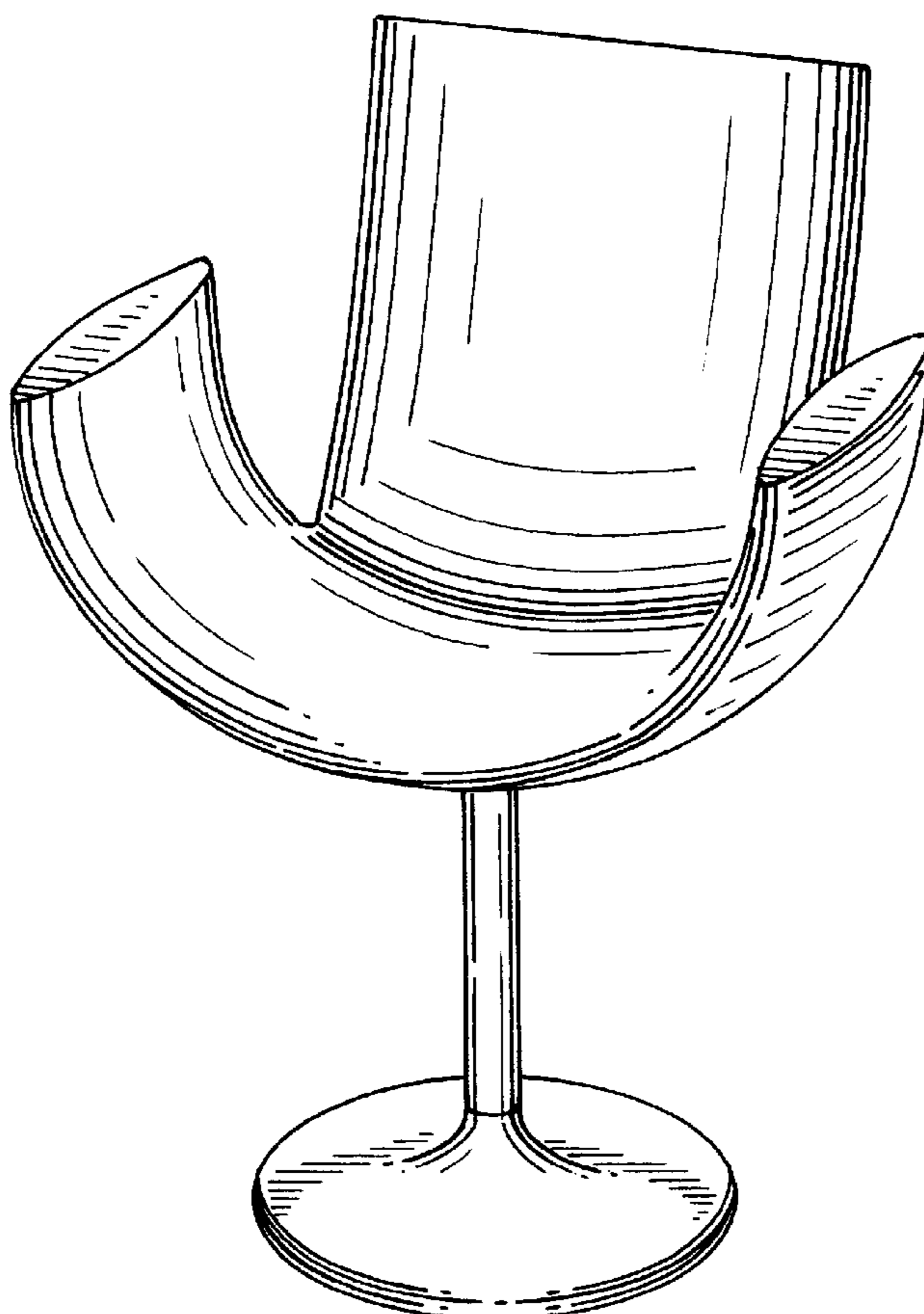


FIG. 1

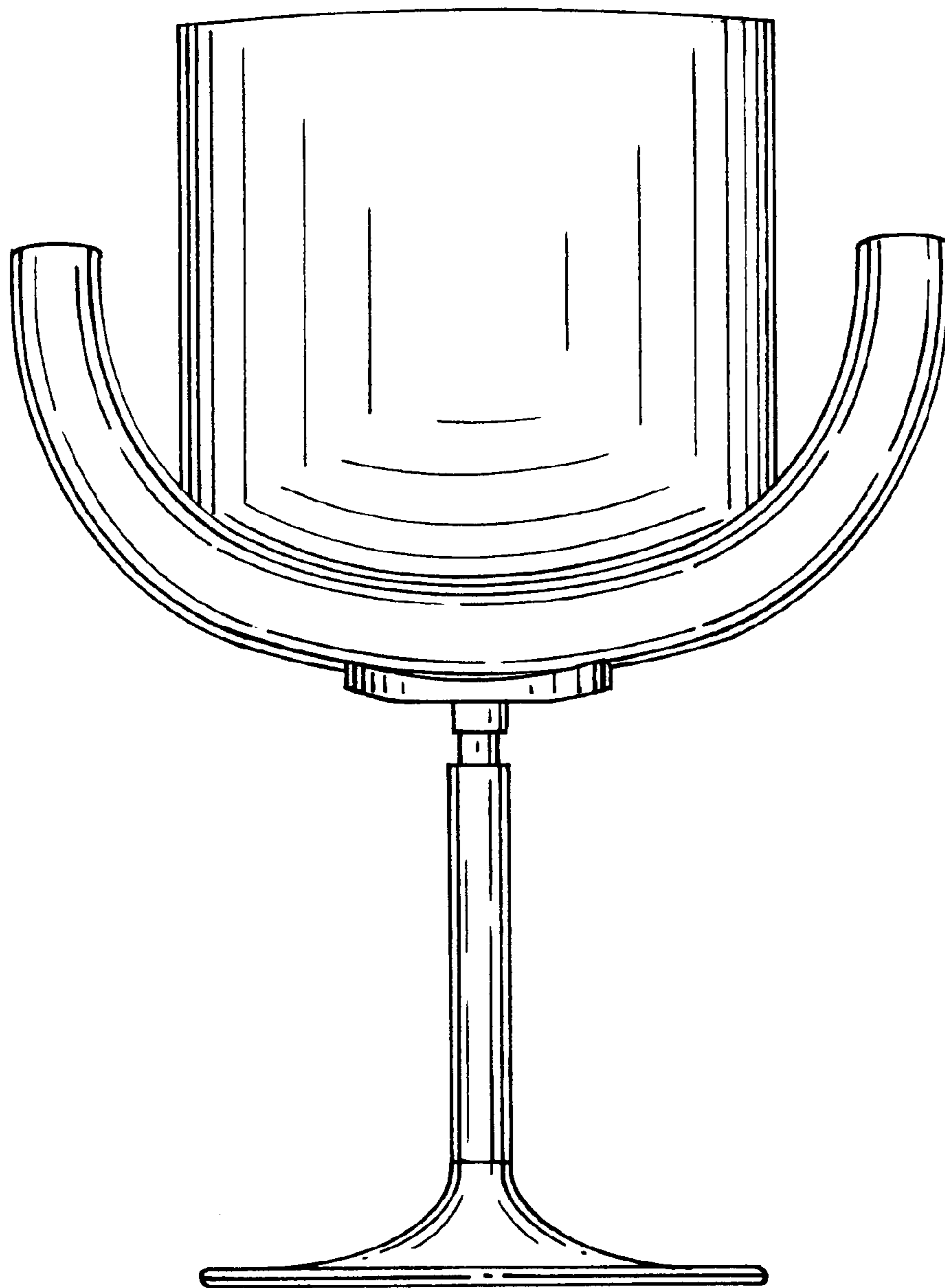


FIG. 2

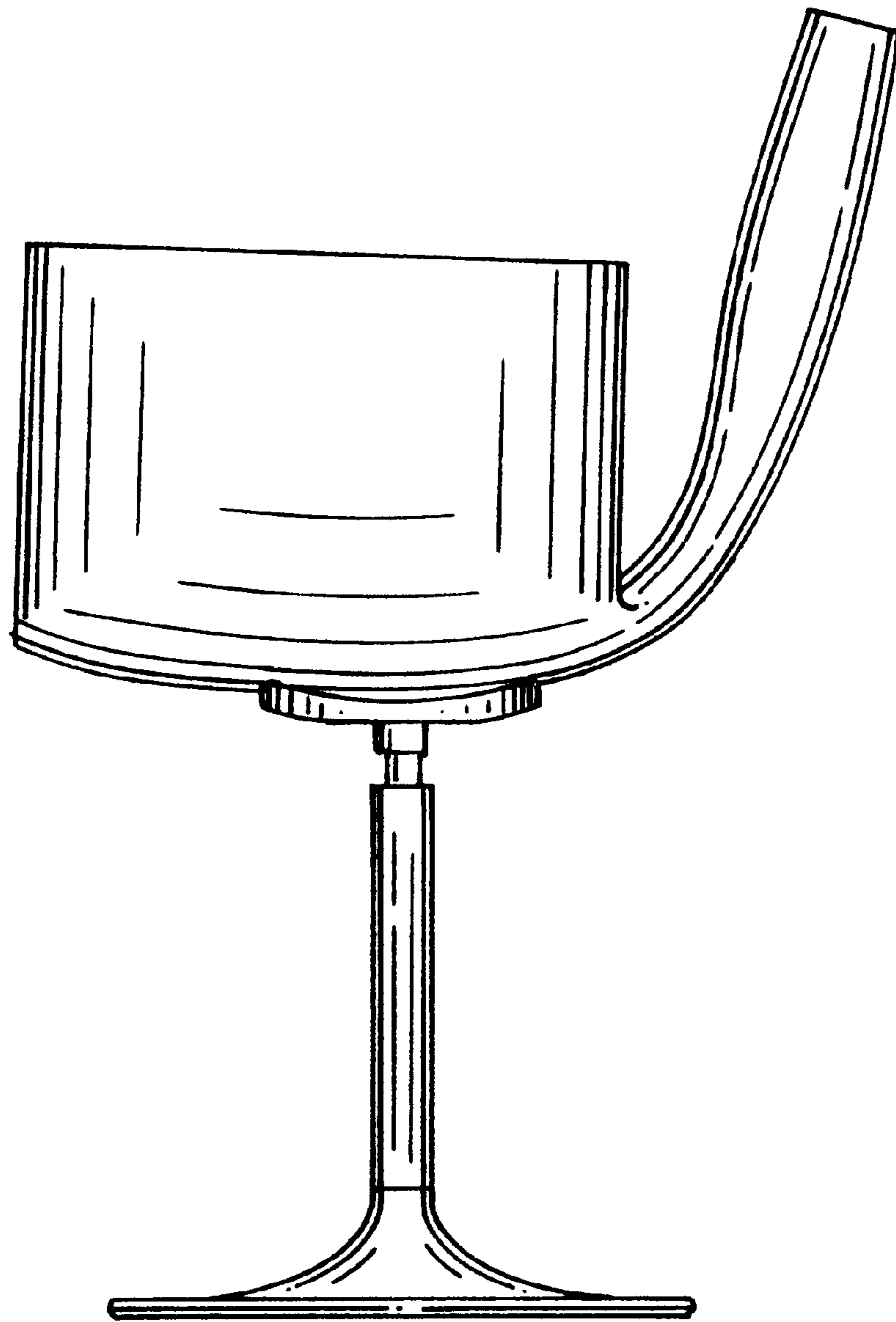


FIG. 3

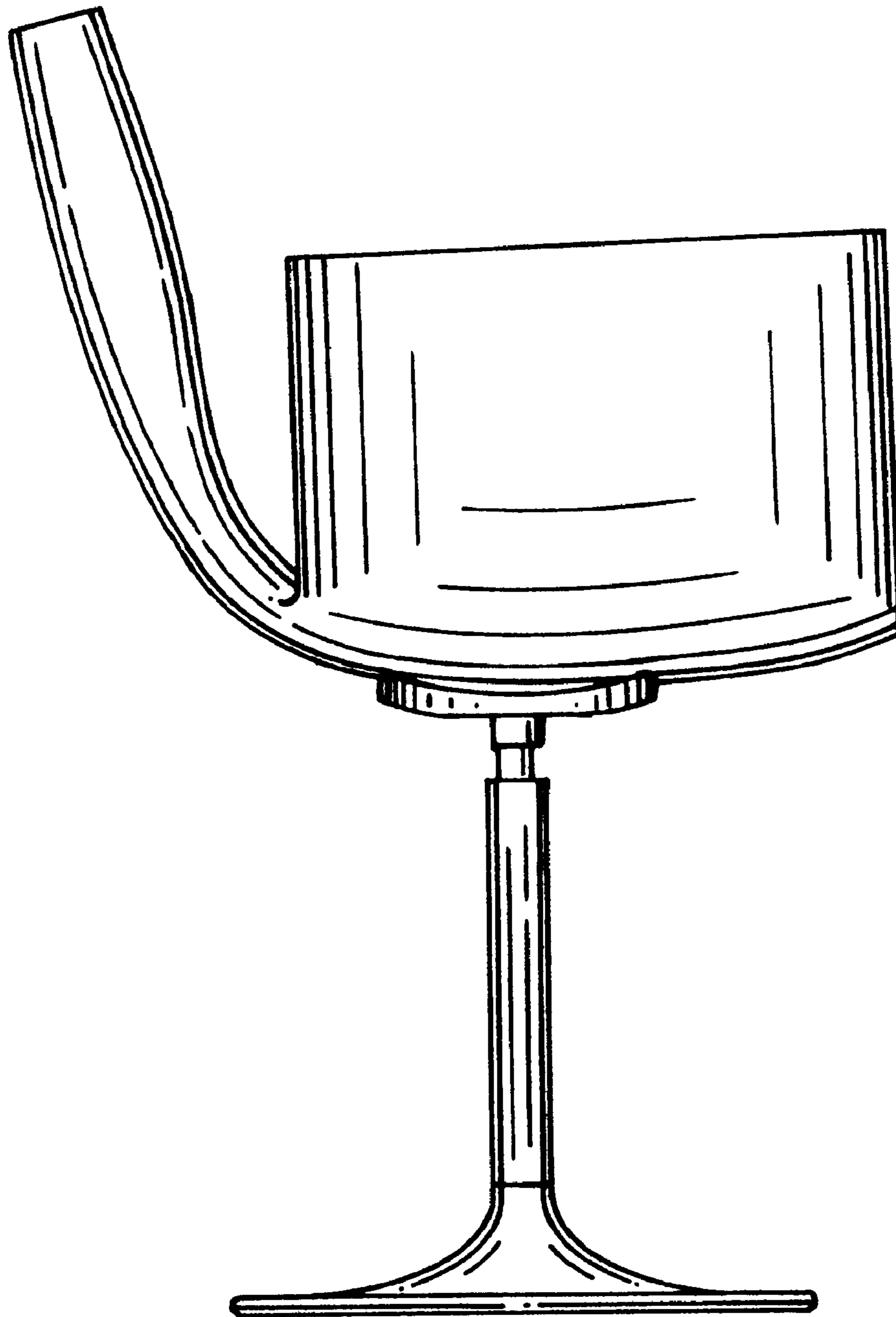


FIG. 4

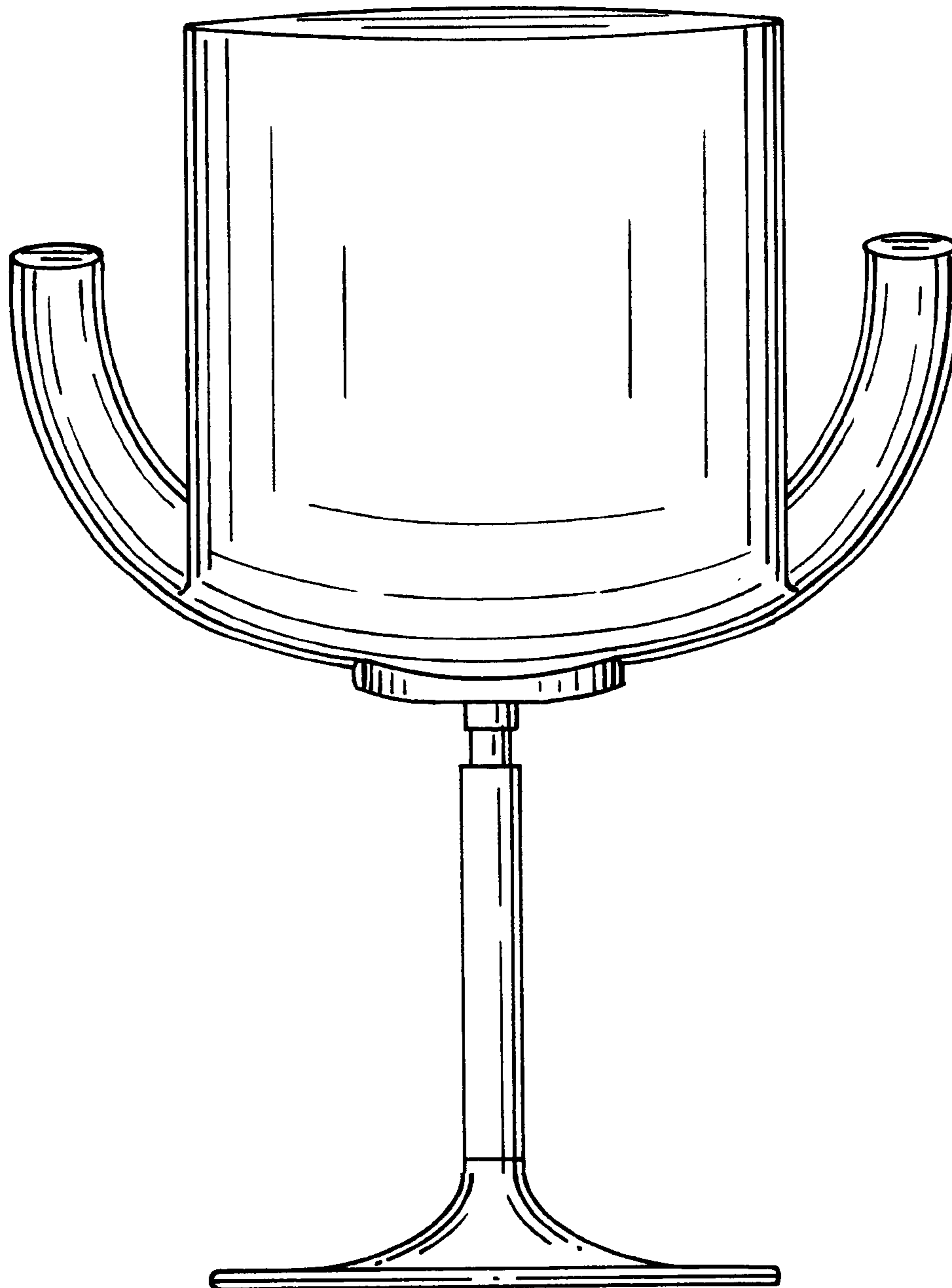


FIG. 5

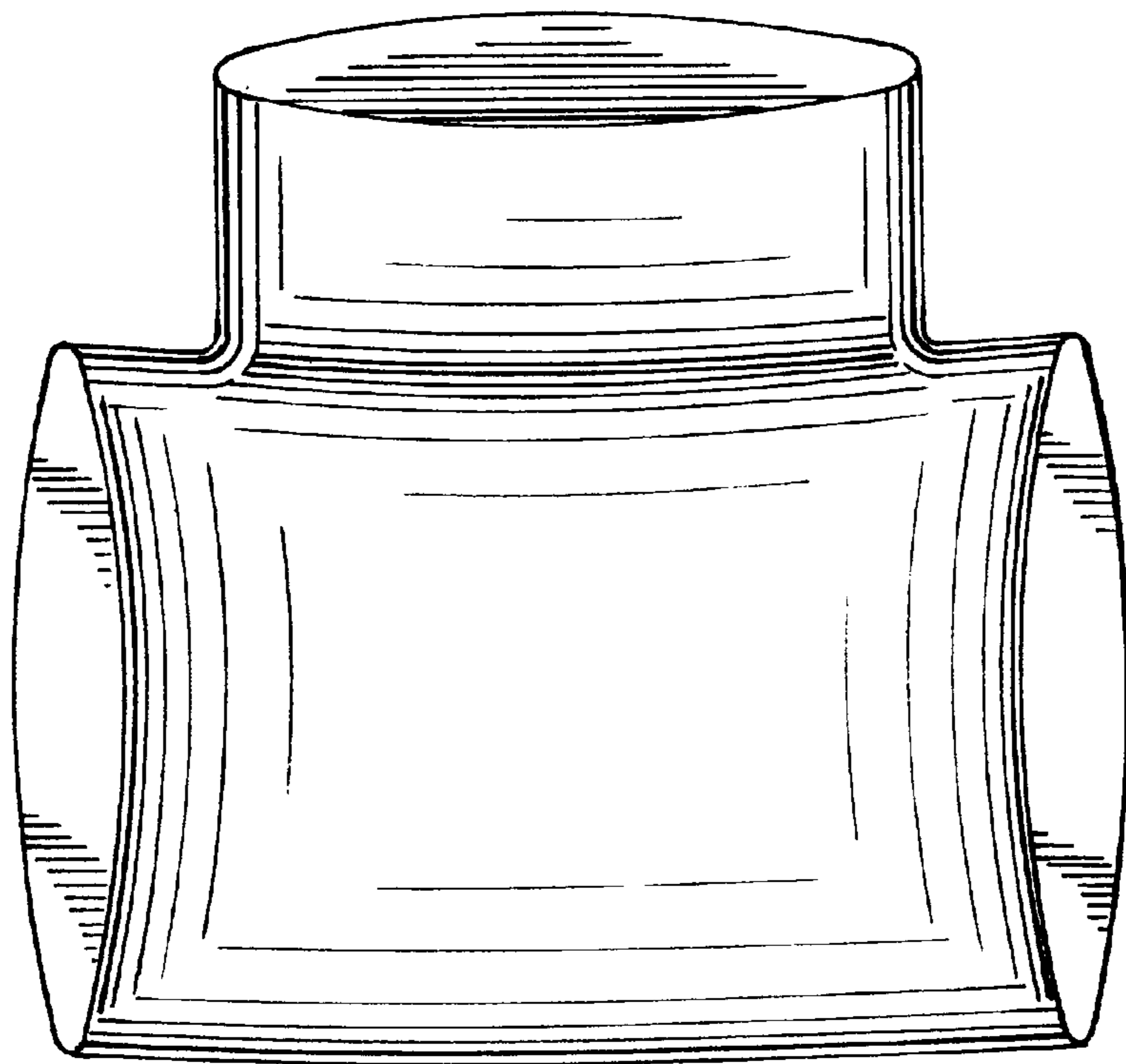


FIG. 6

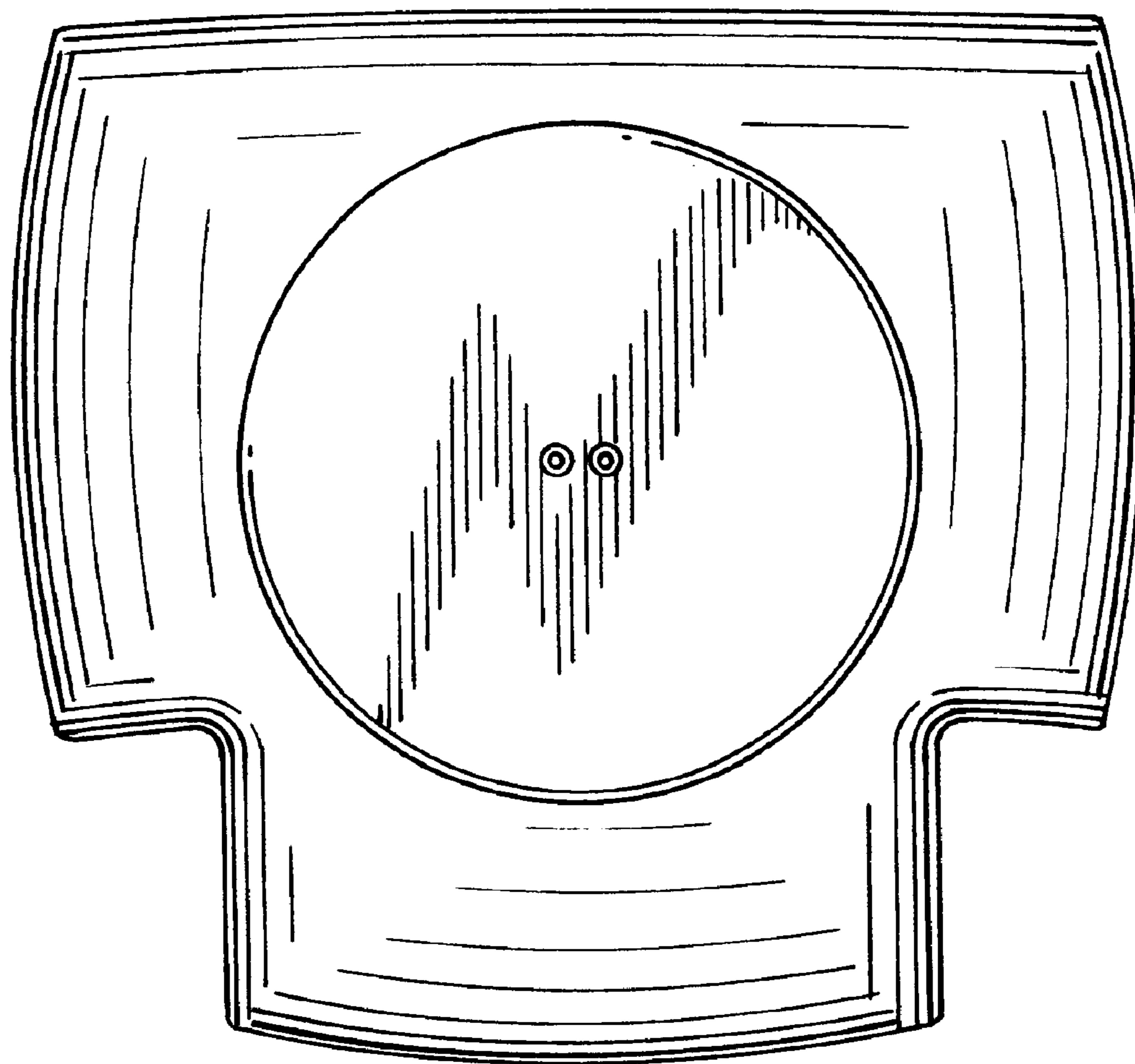


FIG. 7

