

US00D508614S

(12) **United States Design Patent**
Colon

(10) **Patent No.:** **US D508,614 S**

(45) **Date of Patent:** **** Aug. 23, 2005**

(54) **FOLDABLE CLOTHES HANGER**

(76) **Inventor:** **Hector M. Colon**, 1503 NE. 128th St.,
North Miami, FL (US) 33161

(**) **Term:** **14 Years**

(21) **Appl. No.:** **29/200,027**

(22) **Filed:** **Feb. 24, 2004**

(51) **LOC (8) Cl.** **06-08**

(52) **U.S. Cl.** **D6/318**

(58) **Field of Search** D6/315, 318, 319,
D6/324; 211/86.01, 113, 119; 223/85, 88,
89, DIG. 3

(56) **References Cited**

U.S. PATENT DOCUMENTS

1,374,024 A	*	4/1921	Morton	223/89
D77,134 S	*	12/1928	Sumi	D6/318
2,493,385 A	*	1/1950	Boyd	223/89
3,069,054 A	*	12/1962	Treiman	223/92

5,480,076 A	*	1/1996	Siegel et al.	223/94
5,690,257 A	*	11/1997	Ward	223/94
D428,712 S	*	8/2000	Wooller	D6/319
6,431,419 B2	*	8/2002	Sugita	223/94

* cited by examiner

Primary Examiner—Stella Reid
Assistant Examiner—Daniel Bui

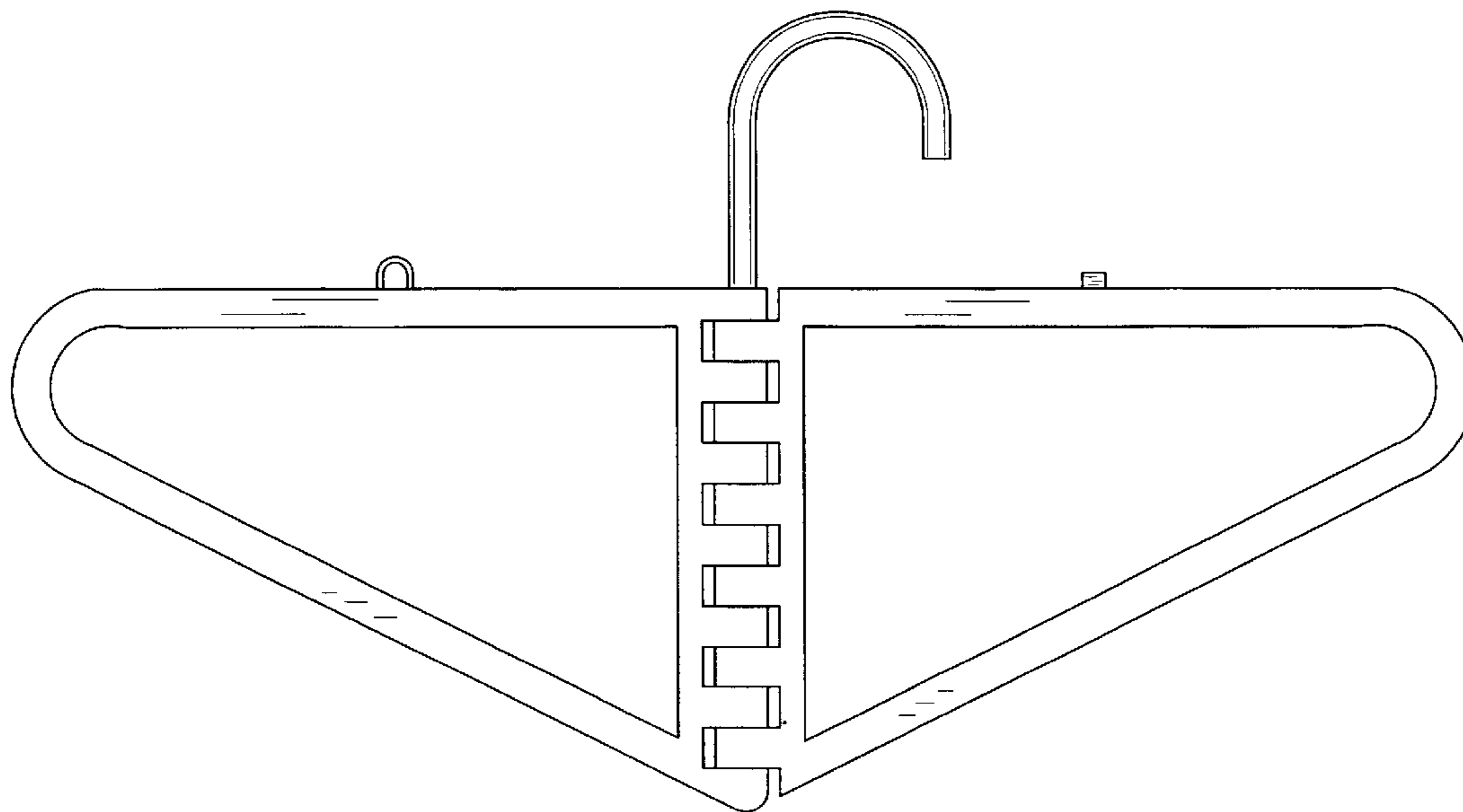
(57) **CLAIM**

The ornamental design for a foldable clothes hanger, as shown and described.

DESCRIPTION

FIG. 1 is a front elevation view of a foldable clothes hanger, showing my new design;
FIG. 2 is a left side elevation view thereof;
FIG. 3 is a right side elevation view thereof;
FIG. 4 is a top plan view thereof; and,
FIG. 5 is a bottom plan view thereof.

1 Claim, 2 Drawing Sheets



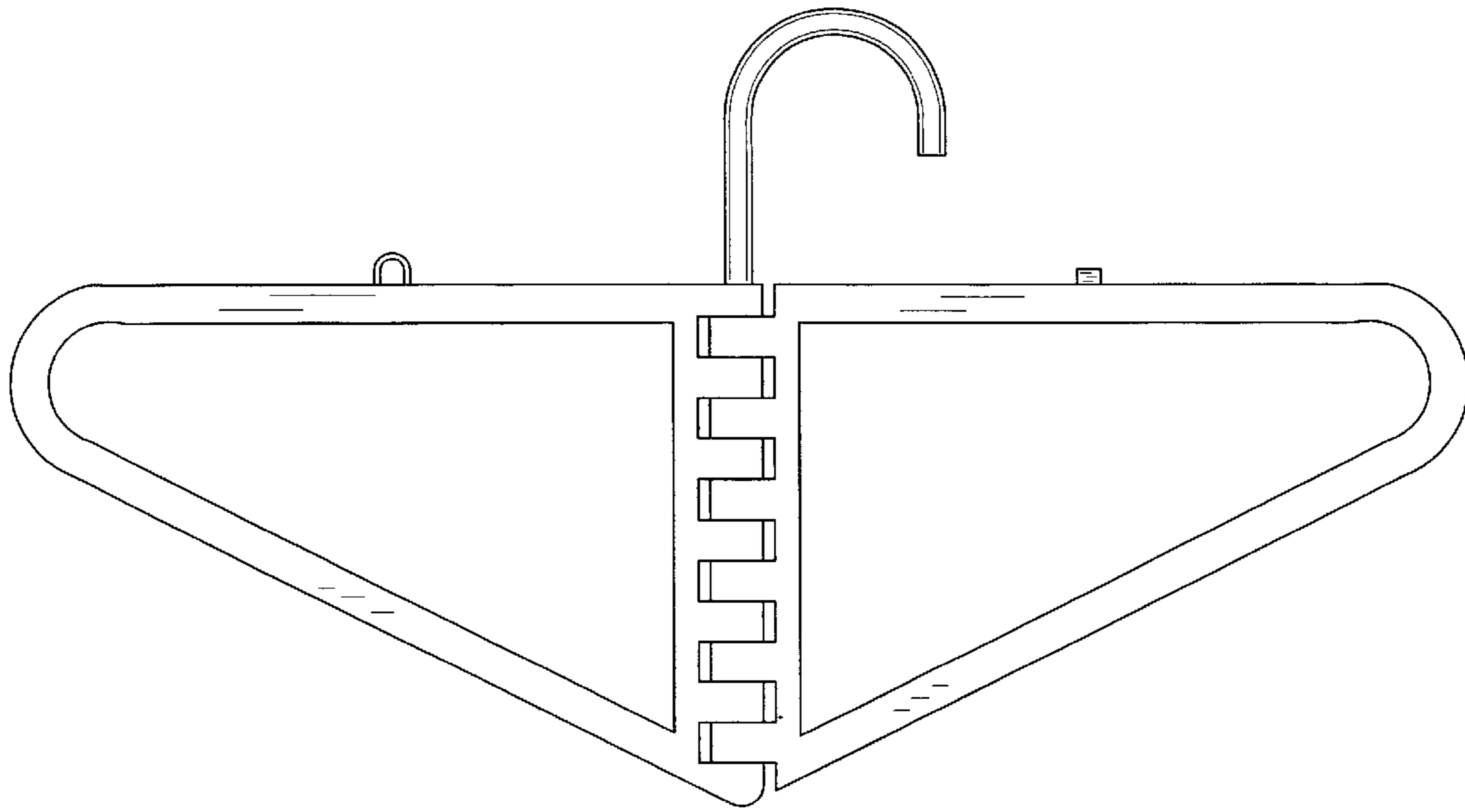


FIG. 1



FIG. 2



FIG. 3



FIG. 4

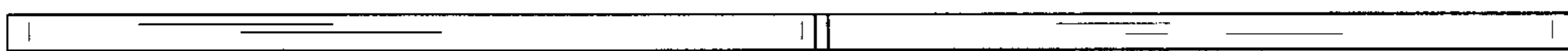


FIG. 5