

US00D508605S

(12) **United States Design Patent**
Hwang et al.

(10) **Patent No.: US D508,605 S**

(45) **Date of Patent: ** Aug. 23, 2005**

(54) **CLIP ON SLIDING HOLDER**

D478,418 S * 8/2003 Badillo et al. D3/218
D485,060 S * 1/2004 DeCotis D3/215
D497,713 S * 11/2004 Lodato et al. D3/218

(76) Inventors: **Shih-Ming Hwang**, 16842 Millikan Ave., Irvine, CA (US) 92606;
Chien-Jong Hwang, 16842 Millikan Ave., Irvine, CA (US) 92606;
Liang-Lun Hwang, 16842 Millikan Ave., Irvine, CA (US) 92606

* cited by examiner

Primary Examiner—Catherine R. Oliver
(74) *Attorney, Agent, or Firm*—Apex Juris, pllc; Tracy M Heims

(**) Term: **14 Years**

(57) **CLAIM**

(21) Appl. No.: **29/206,289**

The ornamental design for a clip on sliding holder, as shown.

(22) Filed: **May 27, 2004**

DESCRIPTION

(51) **LOC (8) Cl.** **03-01**

(52) **U.S. Cl.** **D3/218**

(58) **Field of Search** D3/218, 215, 226;
224/236, 240, 242; 379/419, 420, 454,
455; 455/550-575; D14/248, 147-148

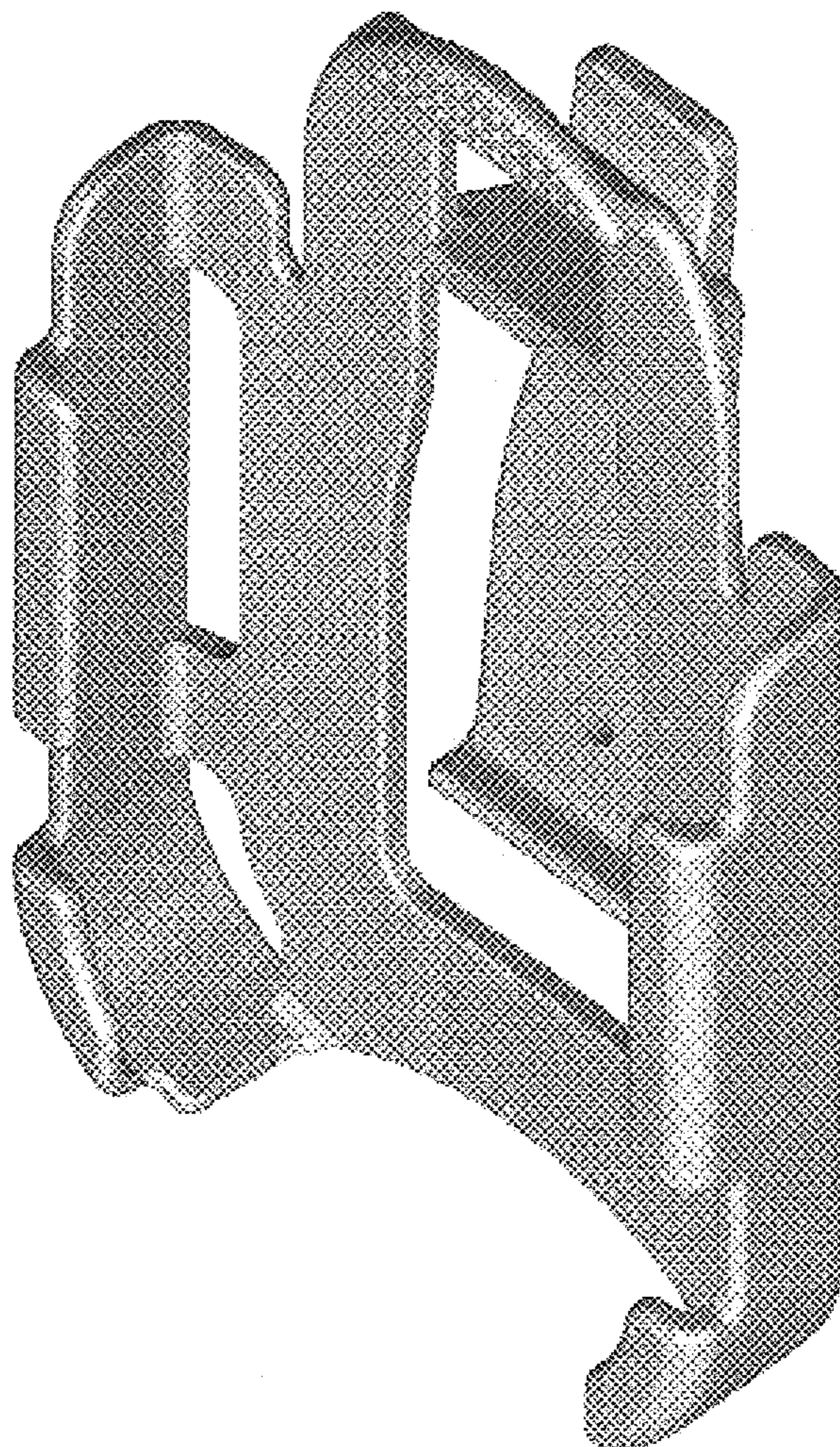
FIG. 1 is a front right perspective view of a clip on sliding holder showing my new design;
FIG. 2 is a front elevation view thereof;
FIG. 3 is a rear elevation view thereof;
FIG. 4 is a left side elevation view thereof;
FIG. 5 is a right side elevation view thereof;
FIG. 6 is a top plan view thereof; and,
FIG. 7 is a bottom plan view thereof.

(56) **References Cited**

U.S. PATENT DOCUMENTS

D468,525 S * 1/2003 Boyle et al. D3/218

1 Claim, 4 Drawing Sheets



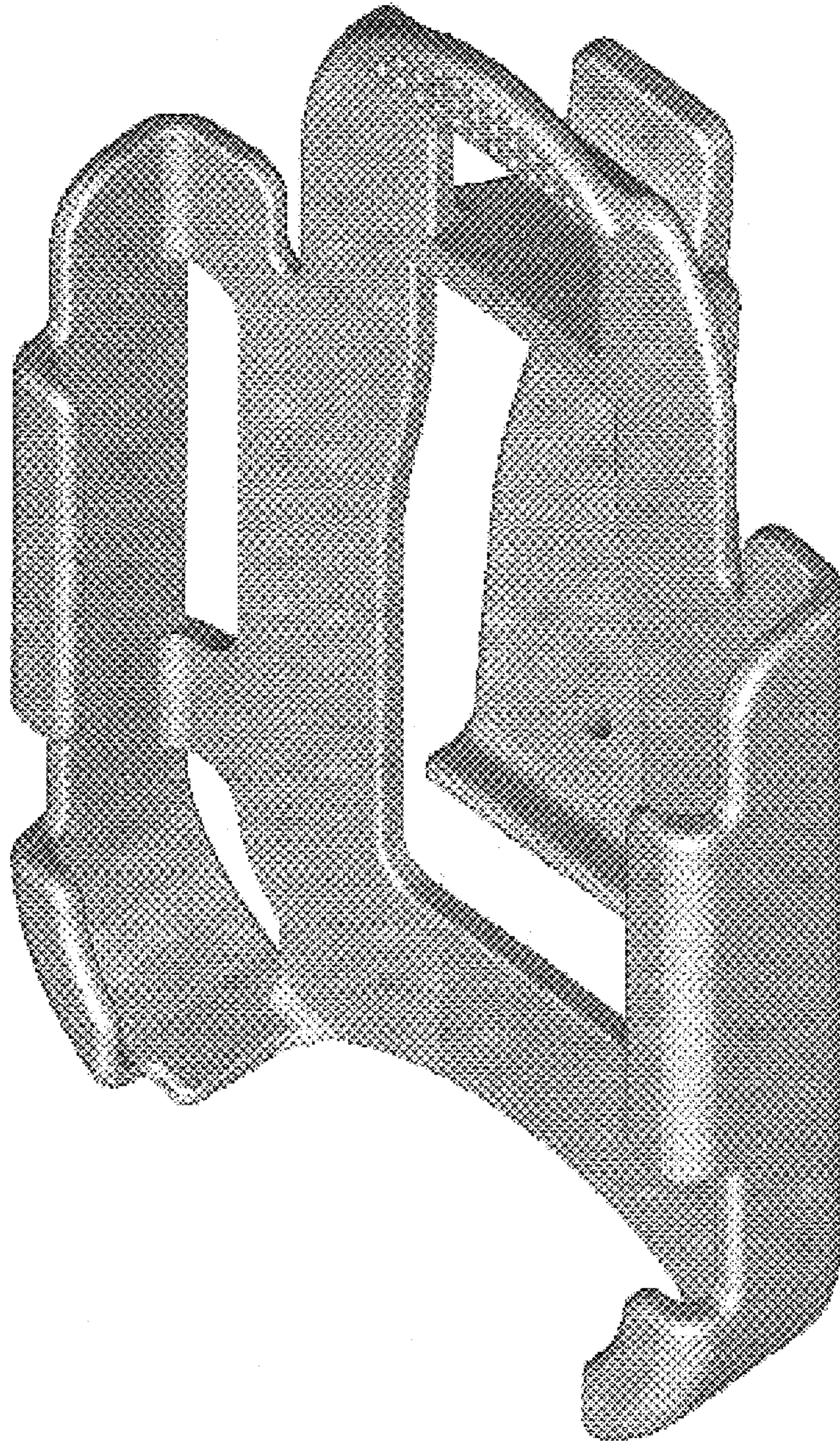


FIG. 1

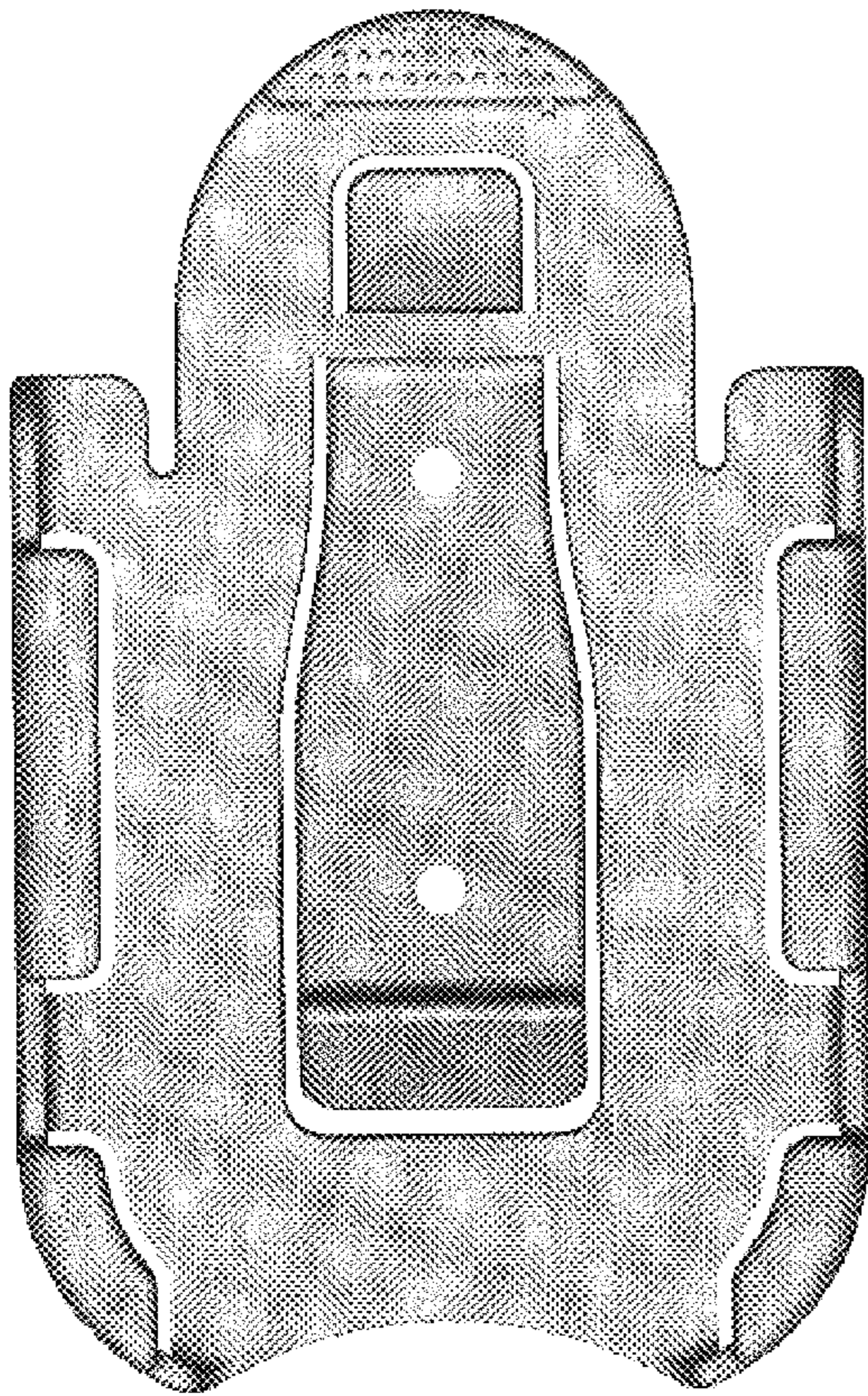


FIG. 2

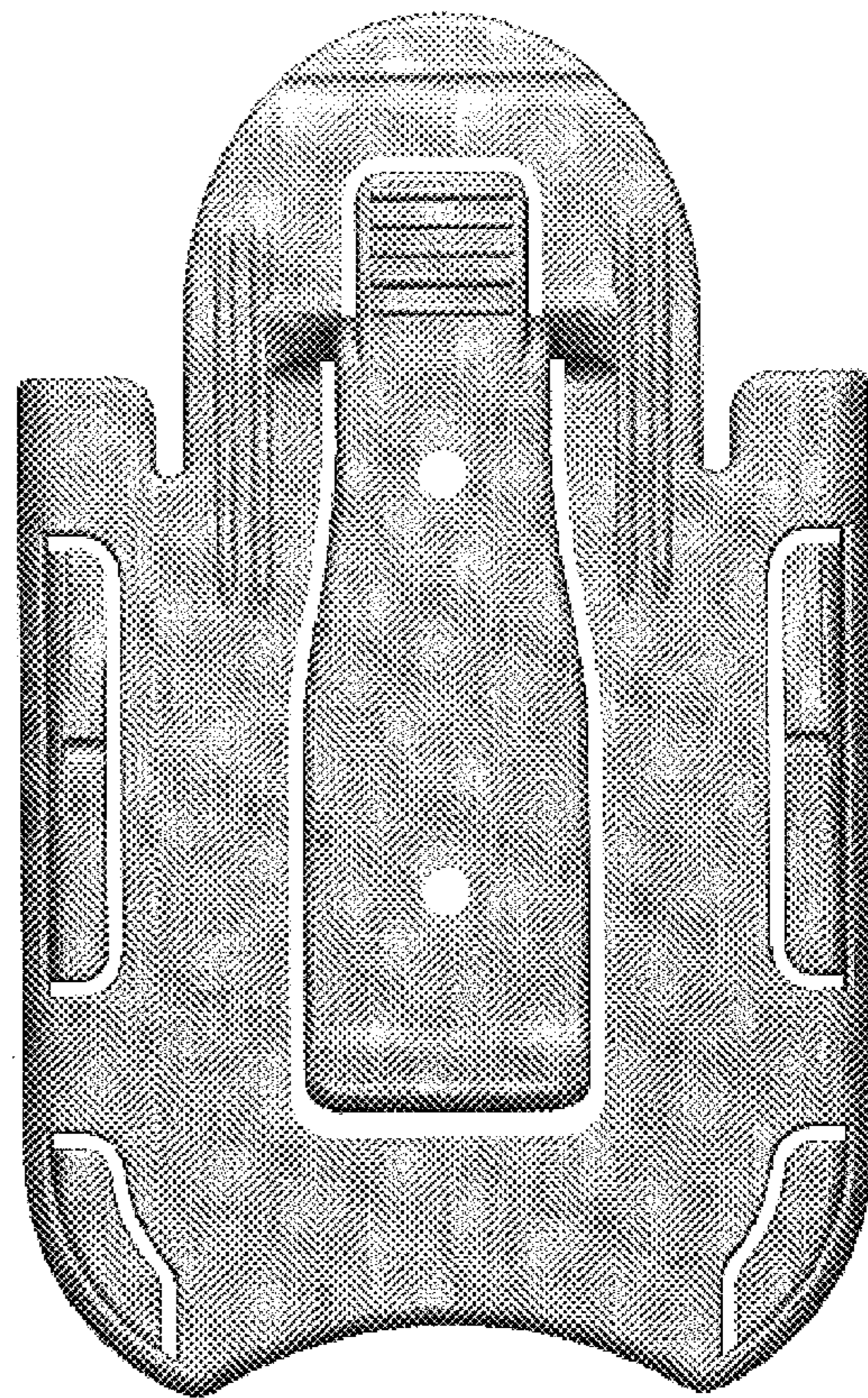


FIG. 3

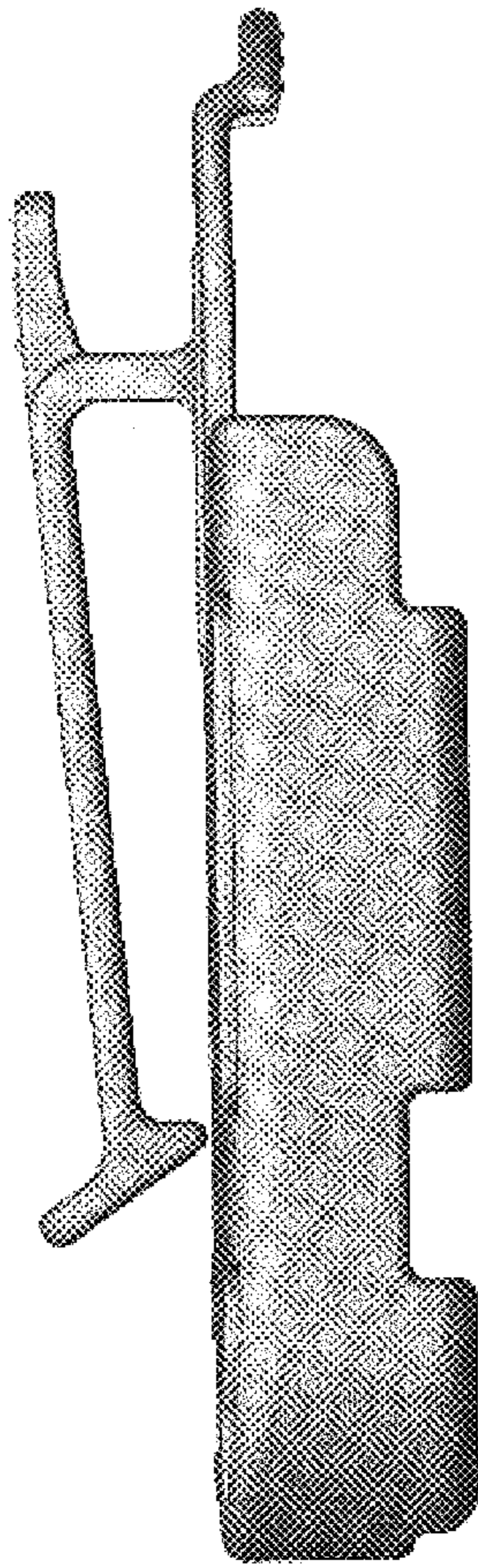


FIG. 4

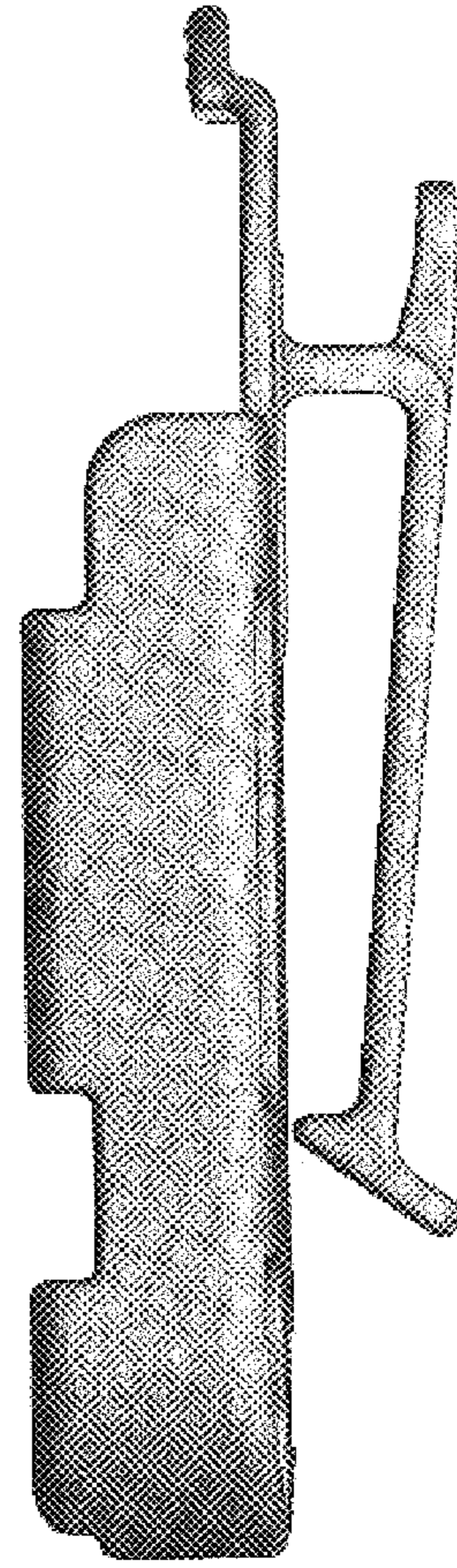


FIG. 5

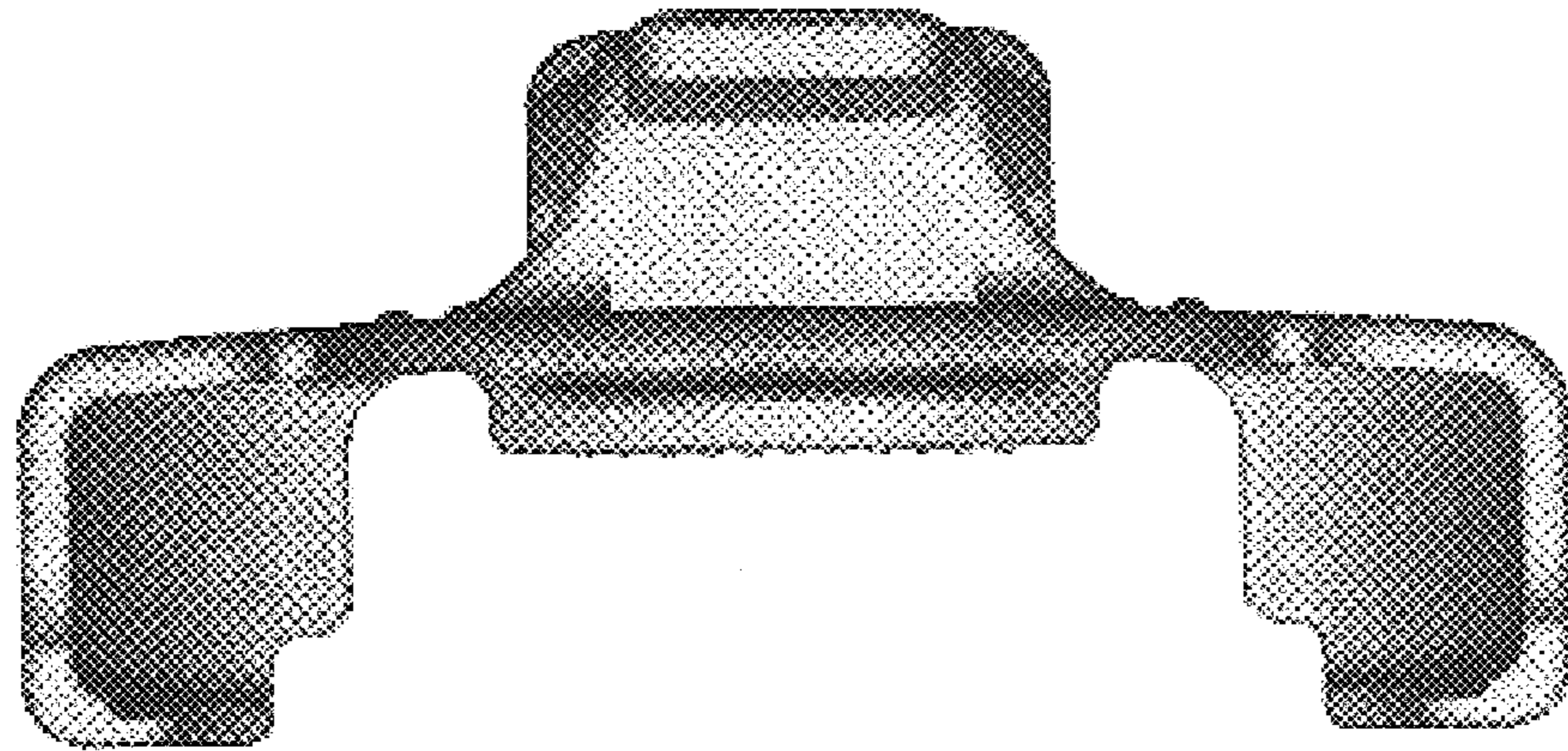


FIG. 6

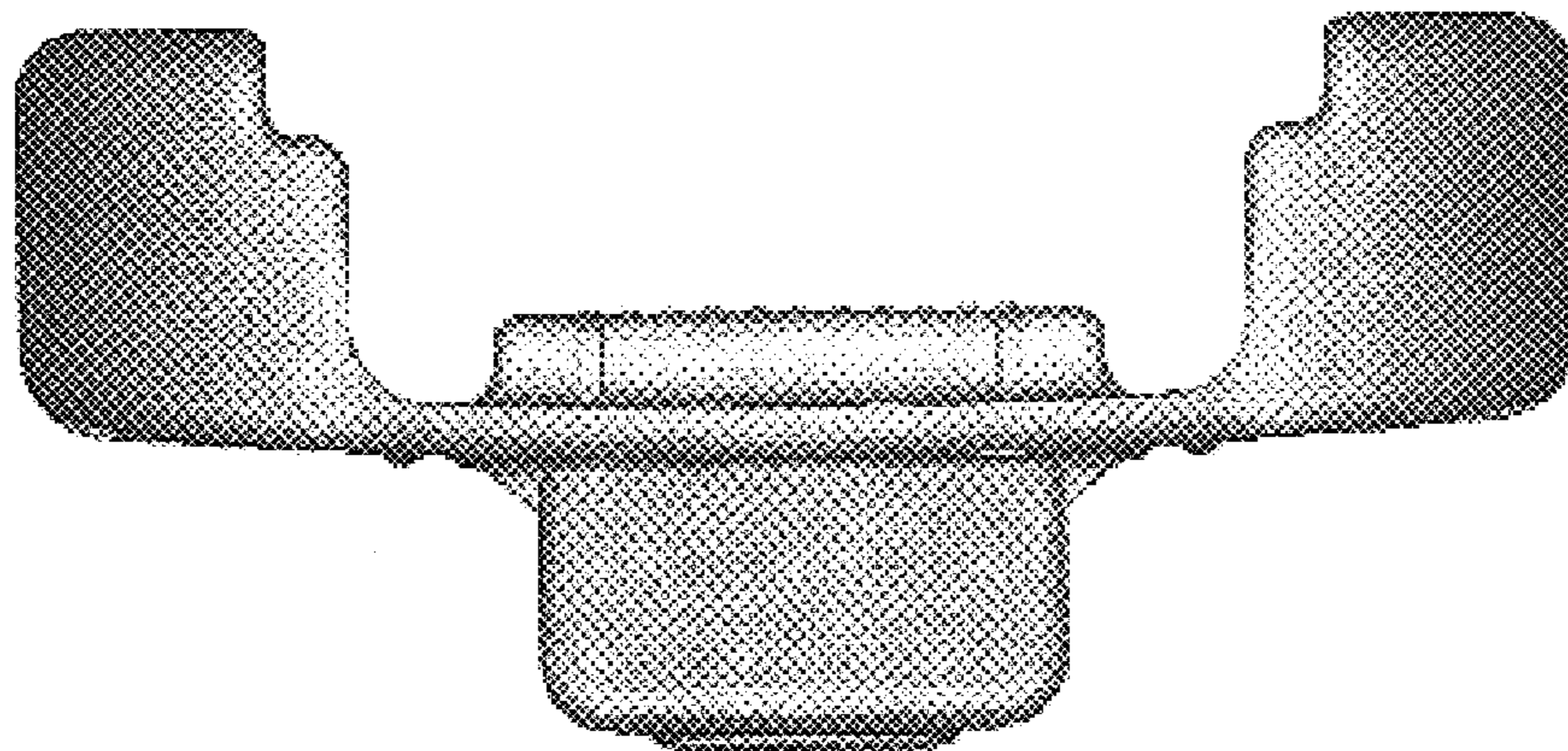


FIG. 7