



US00D508597S

(12) **United States Design Patent**
Conaway et al.

(10) **Patent No.:** **US D508,597 S**
(45) **Date of Patent:** **** Aug. 16, 2005**

(54) **FRAME FOR A COLLAPSIBLE WHEEL BARROW**

(75) Inventors: **Brian J. Conaway**, Columbus, OH (US); **Keith Kristiansen**, Stratford, CT (US); **David Demar**, Tenafly, NJ (US); **Mark Millman**, Key Port, NJ (US)

(73) Assignee: **UnionTools, Inc.**, Columbus, OH (US)

(**) Term: **14 Years**

(21) Appl. No.: **29/208,911**

(22) Filed: **Jul. 7, 2004**

Related U.S. Application Data

(63) Continuation of application No. 10/805,685, filed on Mar. 19, 2004.

(51) **LOC (8) Cl.** **12-02**

(52) **U.S. Cl.** **D34/16**

(58) **Field of Search** D34/12, 16; 280/653, 280/47.31, 47.18, 47.315, 47.32

(56) **References Cited**

U.S. PATENT DOCUMENTS

- D147,637 S * 10/1947 Brockriede D34/24
- D163,280 S * 5/1951 Harrison D34/16
- 2,973,203 A * 2/1961 Taylor 482/97
- 5,305,843 A * 4/1994 Armstrong 180/19.1
- D374,958 S * 10/1996 Watanabe D34/16
- 5,601,298 A * 2/1997 Watanabe 280/47.31

- D398,431 S * 9/1998 McDonald D34/12
- 5,810,375 A * 9/1998 Hoffarth et al. 280/47.31
- 6,336,254 B1 * 1/2002 Graff et al. 16/422
- D456,971 S * 5/2002 Abel D34/16
- D466,266 S * 11/2002 Wu D34/24
- D490,584 S * 5/2004 Stark et al. D34/16

* cited by examiner

Primary Examiner—Cynthia E. Ramirez

(74) *Attorney, Agent, or Firm*—Porter Wright Morris & Arthur LLP

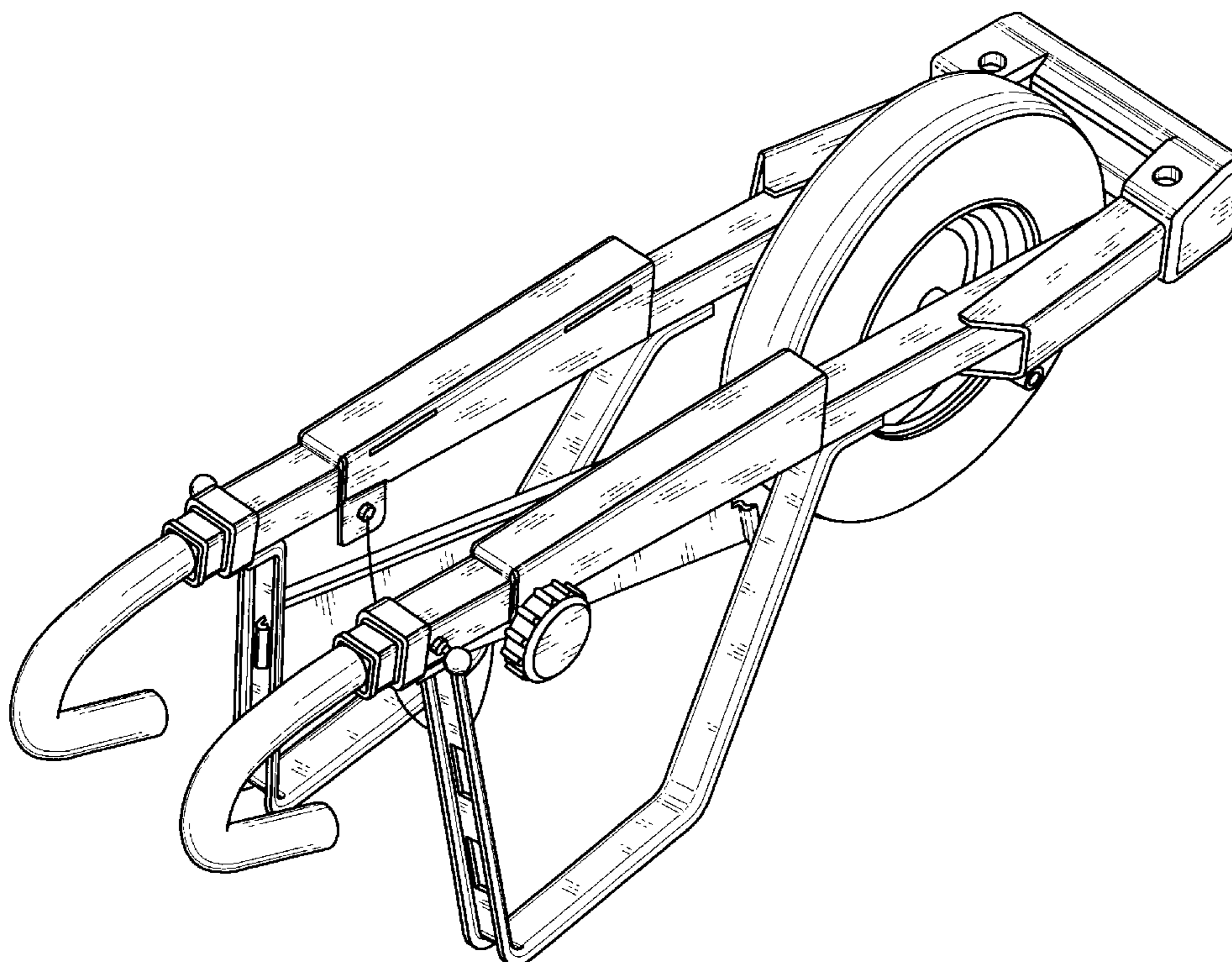
(57) **CLAIM**

The ornamental design for a frame for a collapsible wheel barrow, as shown and described.

DESCRIPTION

FIG. 1 is a perspective view of a frame for a collapsible wheel barrow showing our new design;
 FIG. 2 is a right side elevational view of the frame for a collapsible wheel barrow of FIG. 1;
 FIG. 3 is a left side elevational view of the frame for a collapsible wheel barrow of FIGS. 1 and 2;
 FIG. 4 is a top planar view of the frame for a collapsible wheel barrow of FIGS. 1 to 3;
 FIG. 5 is a bottom planar view of the frame for a collapsible wheel barrow of FIGS. 1 to 4;
 FIG. 6 is a rear elevational view of the frame for a collapsible wheel barrow of FIGS. 1 to 5; and,
 FIG. 7 is a front elevational view of the frame for a collapsible wheel barrow of FIGS. 1 to 6.

1 Claim, 5 Drawing Sheets



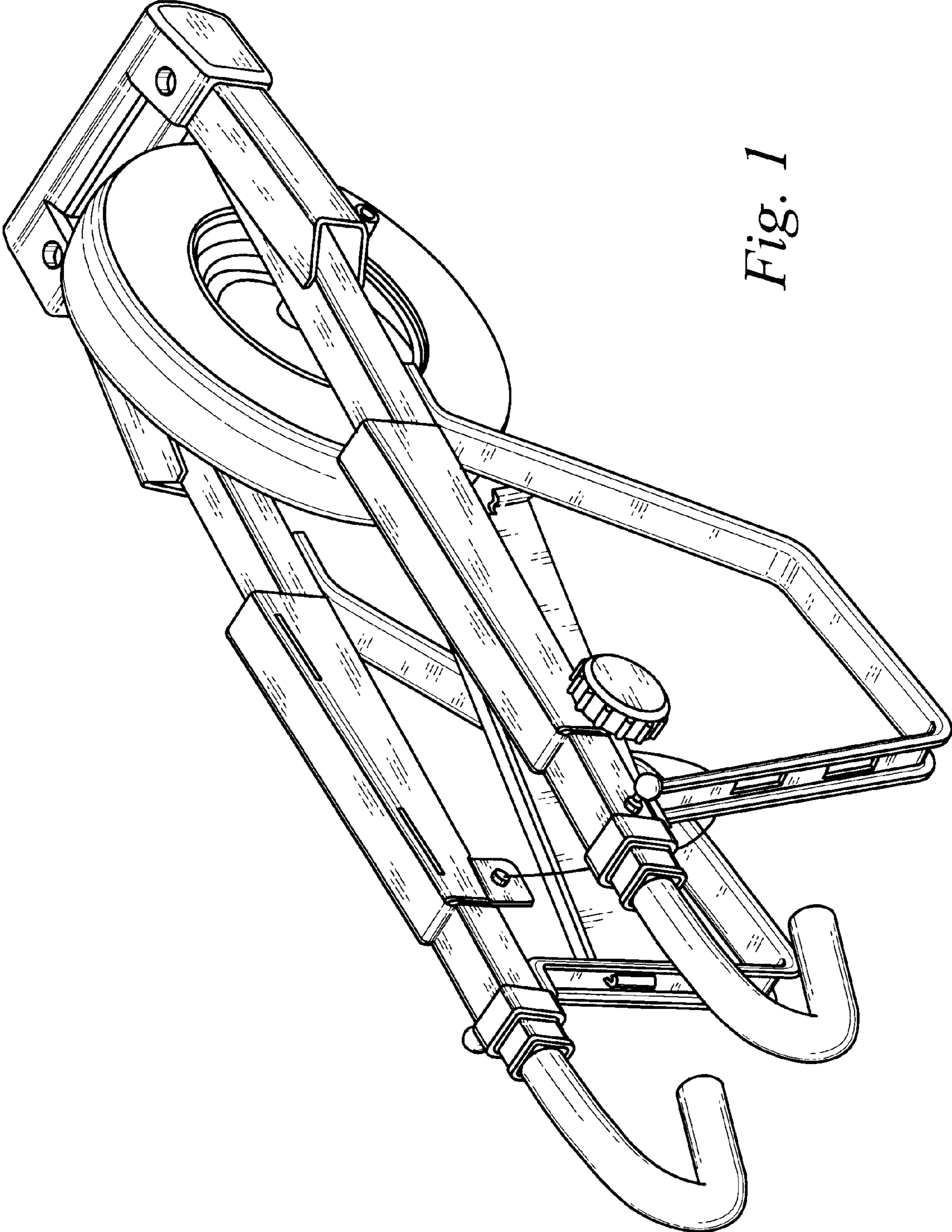


Fig. 1

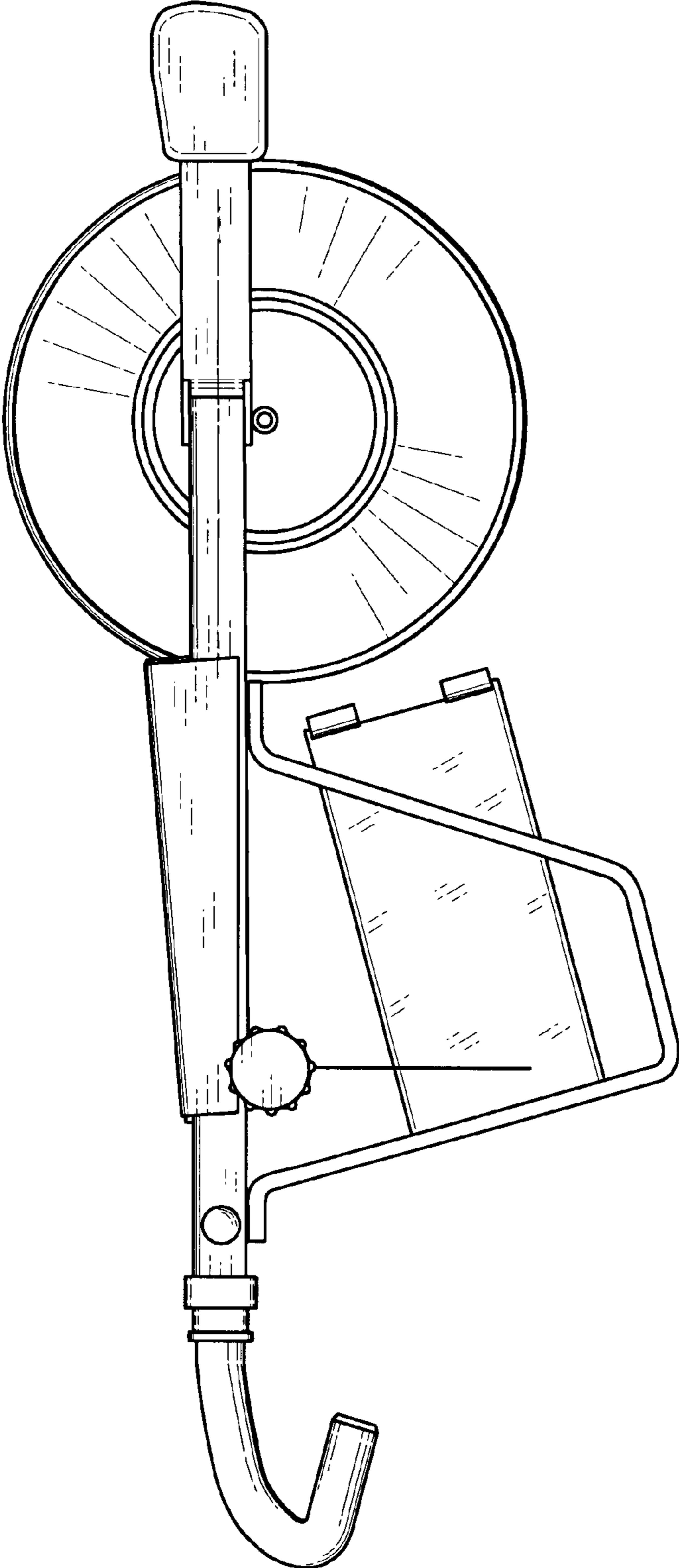


Fig. 2

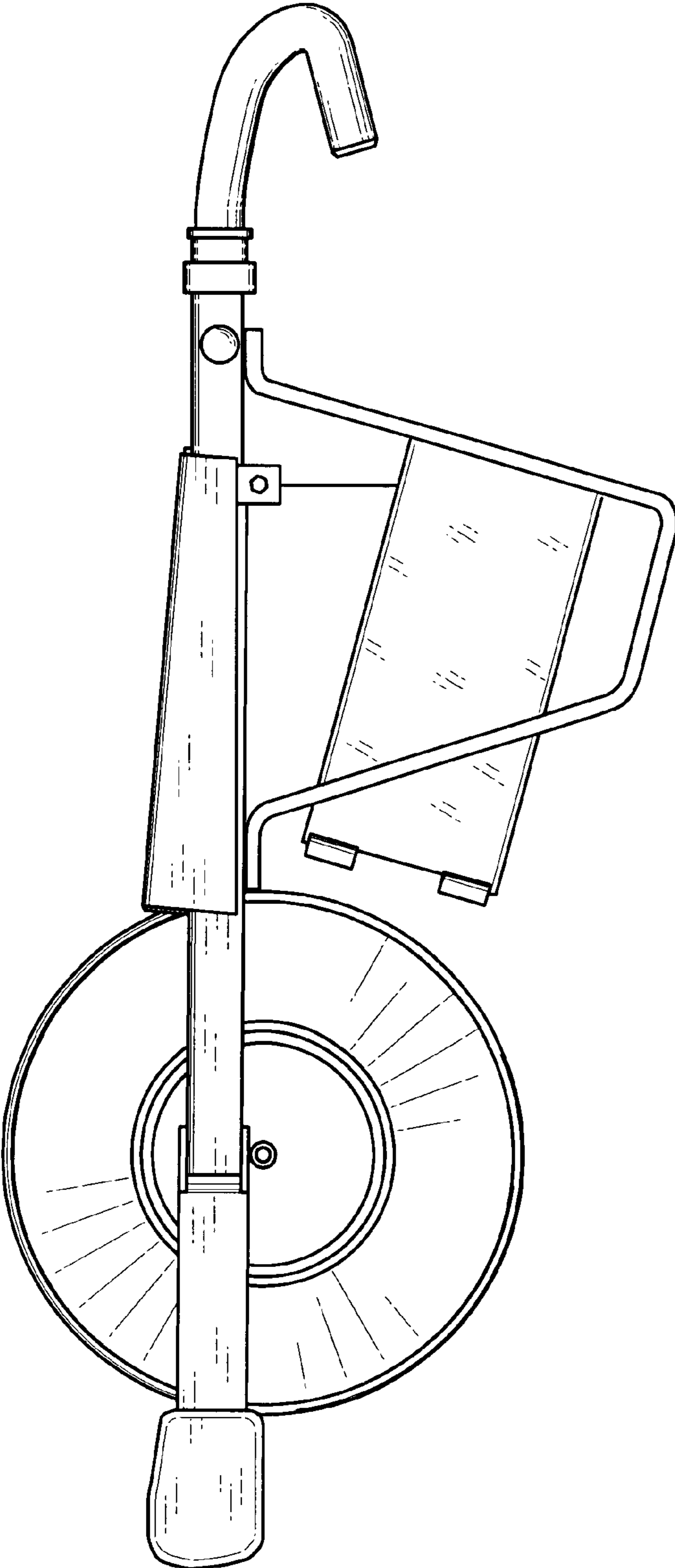


Fig. 3

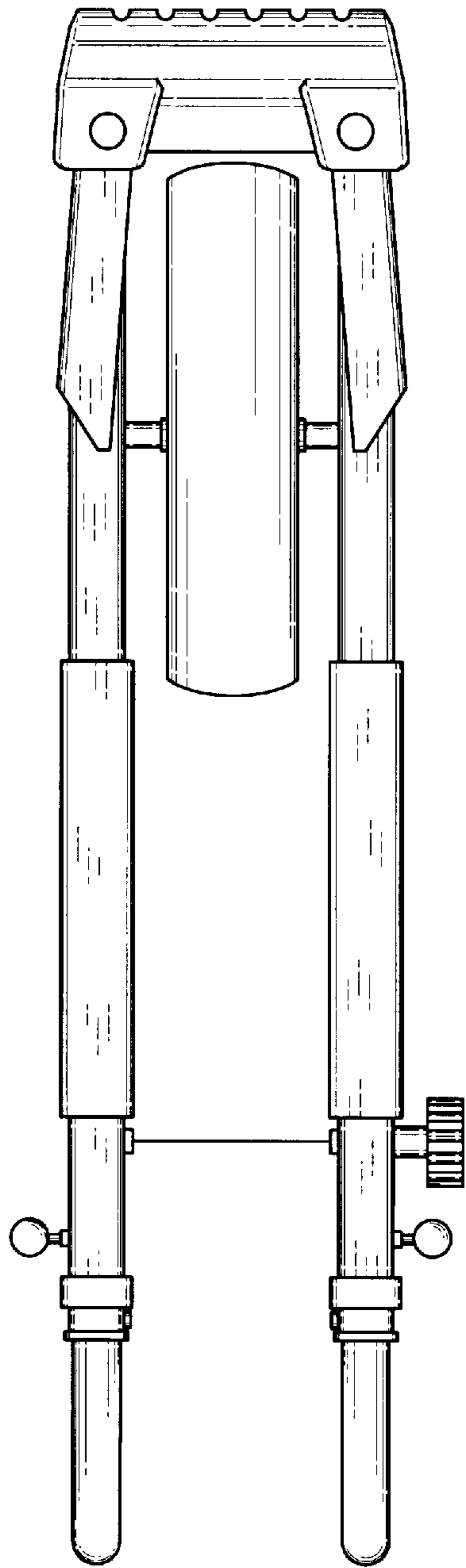


Fig. 4

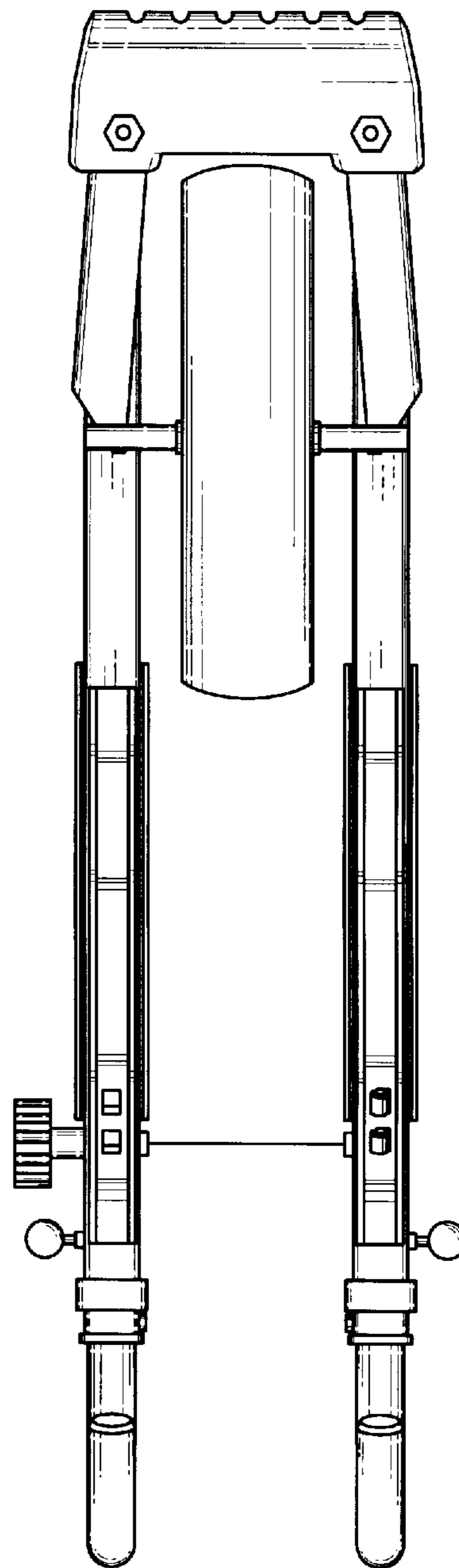


Fig. 5

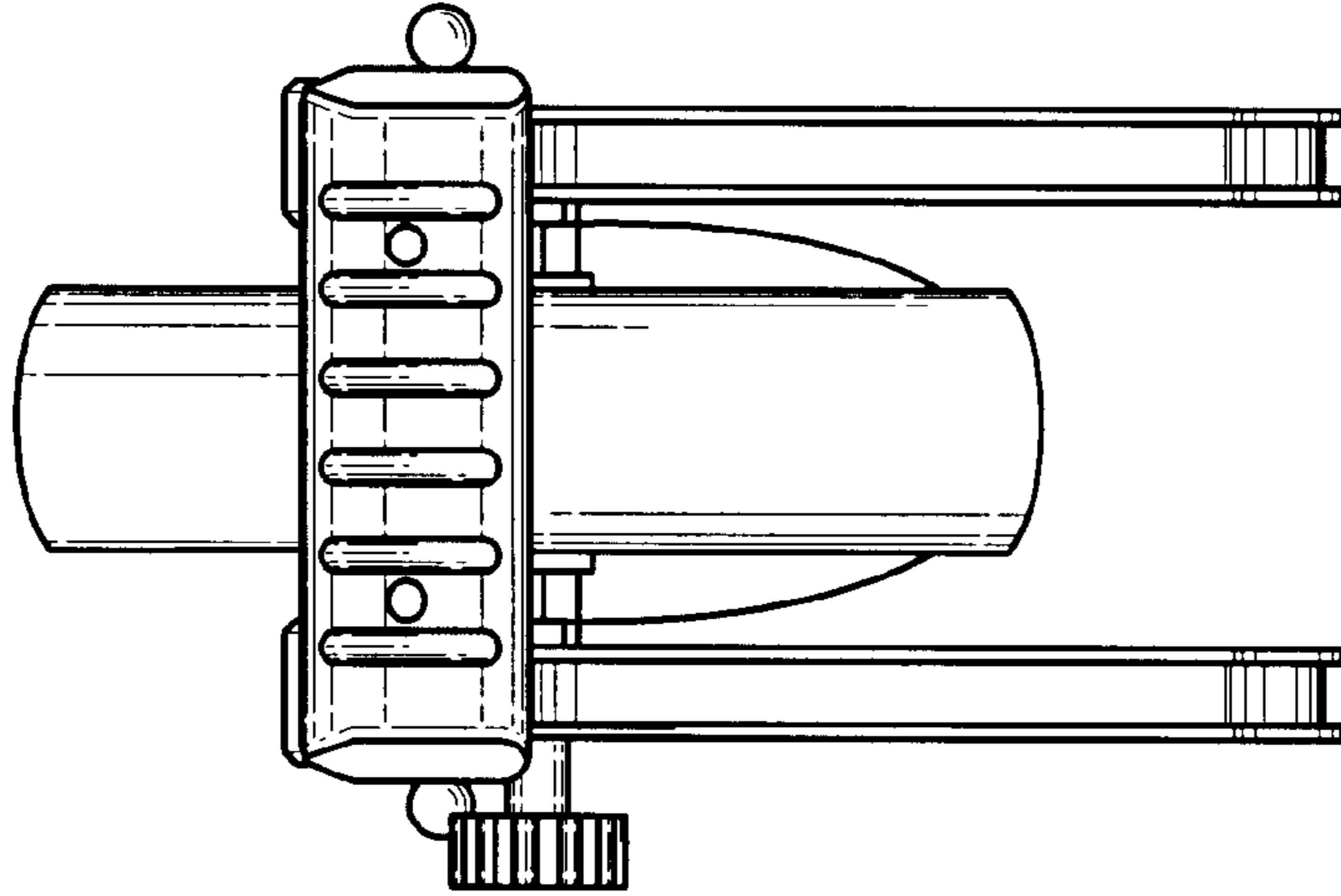


Fig. 7

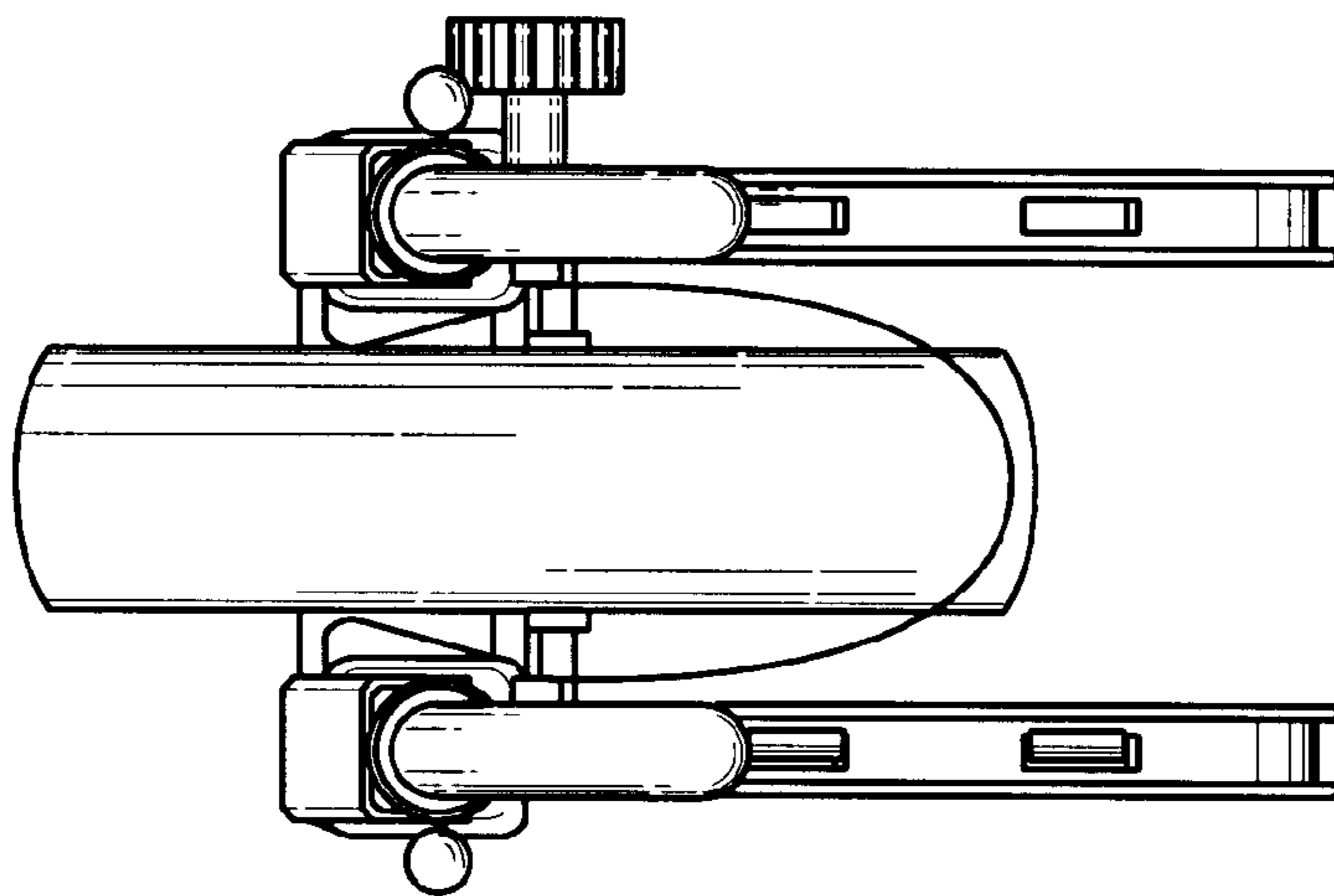


Fig. 6