

US00D508590S

(12) **United States Design Patent** (10) **Patent No.:** **US D508,590 S**  
**Weyand** (45) **Date of Patent:** **\*\* Aug. 16, 2005**

- (54) **DOUBLE JOINTED HORSE-BIT MOUTHPIECE**
- (75) Inventor: **Daniel J. Weyand**, Shadow Hills, CA (US)
- (73) Assignee: **Mikmar Bit Company LLC**, Shadow Hills, CA (US)
- (\*\*) Term: **14 Years**
- (21) Appl. No.: **29/209,079**
- (22) Filed: **Jul. 9, 2004**
- (51) **LOC (8) Cl.** ..... **30-04**
- (52) **U.S. Cl.** ..... **D30/136; 54/7**
- (58) **Field of Search** ..... **D30/136; 54/6.1, 54/7-9, 15, 71; 119/833**

(56) **References Cited**

**U.S. PATENT DOCUMENTS**

1,130,638 A	3/1915	Schlueter	
2,012,705 A *	8/1935	Bergen	54/8
2,460,912 A	2/1949	Wagner et al.	
2,512,244 A *	6/1950	De Wolfe	54/6.1
2,669,817 A	2/1954	O'Donnell	
2,745,235 A	5/1956	Evans	
4,005,564 A	2/1977	Simington	
4,063,404 A	12/1977	Taylor	
D252,163 S	6/1979	Johnson	
4,274,246 A	6/1981	Stewart	
4,280,316 A	7/1981	Taylor	
4,375,147 A	3/1983	Conrad	
4,566,254 A	1/1986	Nagel	
4,587,797 A	5/1986	Conrad	
4,631,906 A	12/1986	Hermann, Sr.	

(Continued)

**OTHER PUBLICATIONS**

*Wildhorse Saddlery*, [www.wildhorsesaddlery.com/bridle-sandbits.htm](http://www.wildhorsesaddlery.com/bridle-sandbits.htm), pp. 1-30.

*Horse Matters.Net*, [www.horsematters.net/tack/bits.htm](http://www.horsematters.net/tack/bits.htm), pp. 1-4.

*Driving Essential, Inc.*, [www.drivingessentials.com/Bit%20Overview.htm](http://www.drivingessentials.com/Bit%20Overview.htm), pp. 1-3.

*The Kangaroo Bits Web Site*, [www.kangaroobits.com/dsnaffle.htm](http://www.kangaroobits.com/dsnaffle.htm), pp. 1-2.

First horse bit design, Figures 1A-1F.  
 Second horse bit design, Figures 2A-2F.  
 Third horse bit design, Figures 3A-3F.  
 Horse bit design, Figure 1.  
 Horse bit design, Figure 2.  
 Horse bit design, Figure 3.

Advertisement from the Jan. 2001 issue of *Reitsport Schockemohle Pro Equipment 2*, (front cover, inside cover page and p. 39).

Advertisements from the 2001 issue of *Master Tack Book 200*, Weaver Leather, (front cover, pp. 136 and 137).

Advertisement from the 2001/2002 issue of *Neuheiten 2001/2002*, (front cover and p. 16).

*Primary Examiner*—Stella Reid  
*Assistant Examiner*—Susan M Lee  
 (74) *Attorney, Agent, or Firm*—Kolisich Hartwell, P.C.

(57) **CLAIM**

I claim the ornamental design for a double jointed horse-bit mouthpiece, as shown and described.

**DESCRIPTION**

FIG. 1 is a top right front perspective view of a double jointed horse-bit mouthpiece showing an embodiment of my new design, the top left front perspective view being a mirror image thereof.

FIG. 2 is a bottom plan view thereof.

FIG. 3 is a top plan view thereof.

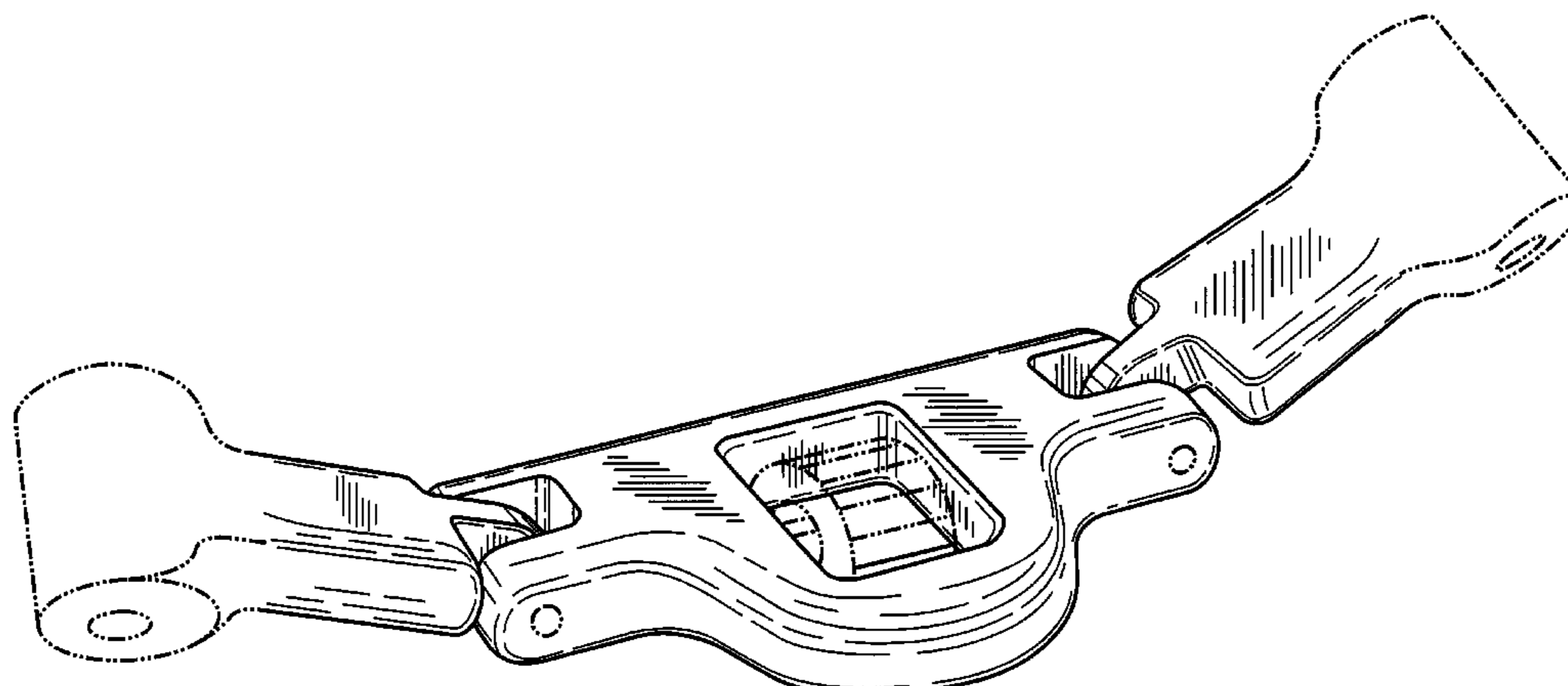
FIG. 4 is a right side elevational view thereof, the left side elevational view being a mirror image thereof.

FIG. 5 is a front elevational view thereof; and, FIG. 6 is a rear elevational view thereof.

The broken or dashed lines shown in the drawings are for illustrative purposes only and form no part of the claimed design.

The shading lines shown in the drawings represent the approximate three-dimensional contour of the design, and are not intended to indicate surface decoration.

**1 Claim, 3 Drawing Sheets**



U.S. PATENT DOCUMENTS

4,745,733 A	5/1988	Bork	5,809,939 A	9/1998	Robart et al.
4,884,390 A	12/1989	Benjak et al.	5,813,201 A	9/1998	Hsi-Chang
4,941,312 A	7/1990	Old, Sr.	5,885,377 A	3/1999	Hsi-Chang
4,953,345 A	9/1990	Boone	6,202,393 B1	3/2001	Myler et al.
4,965,987 A	10/1990	Bork	6,324,821 B1	12/2001	Bauer et al.
5,062,255 A	11/1991	Myler et al.	6,347,501 B1	2/2002	Robart
5,128,518 A	7/1992	Reifel	6,425,229 B2	7/2002	Sprenger et al.
D328,657 S	8/1992	Steele	6,449,930 B2	9/2002	Robart et al.
5,357,753 A	10/1994	Wade	D468,490 S	1/2003	Childs
5,528,884 A	6/1996	Johnson	6,553,747 B1	4/2003	Texel
5,557,905 A	9/1996	Harding	6,662,536 B2	12/2003	Belton et al.
5,669,210 A	9/1997	Vollmecke et al.	6,705,064 B1	3/2004	Grissom

\* cited by examiner

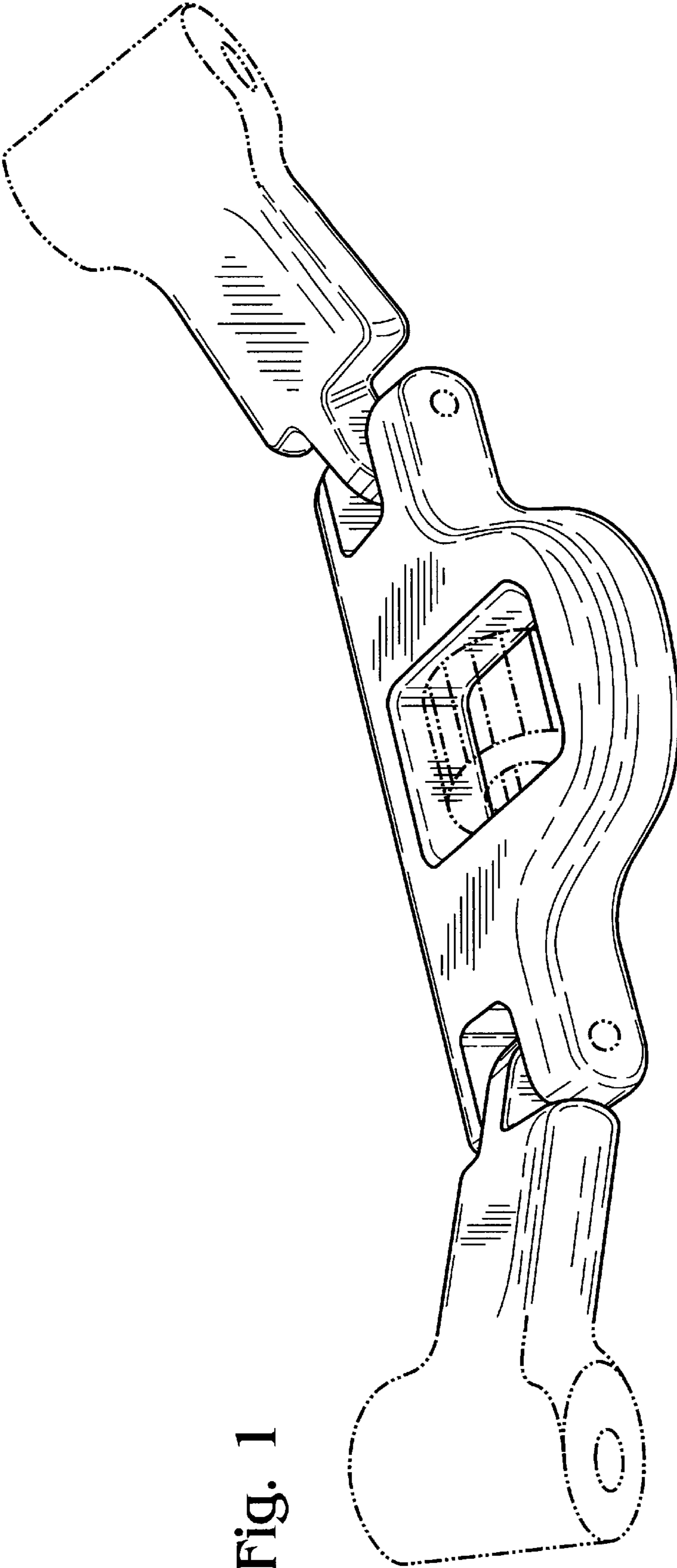


Fig. 1

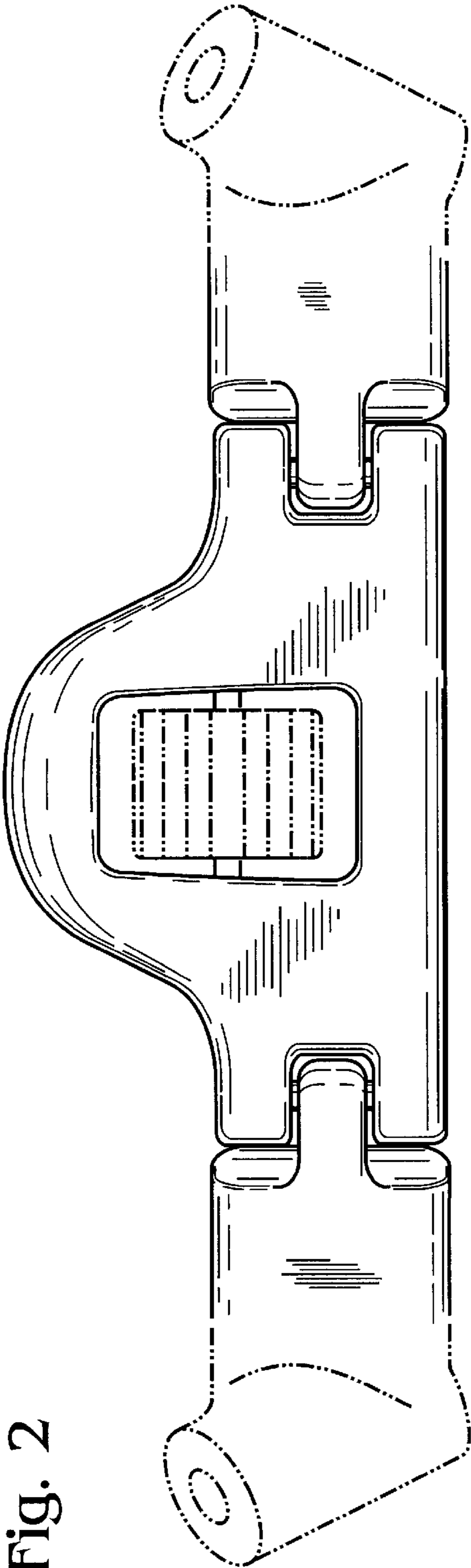


Fig. 2

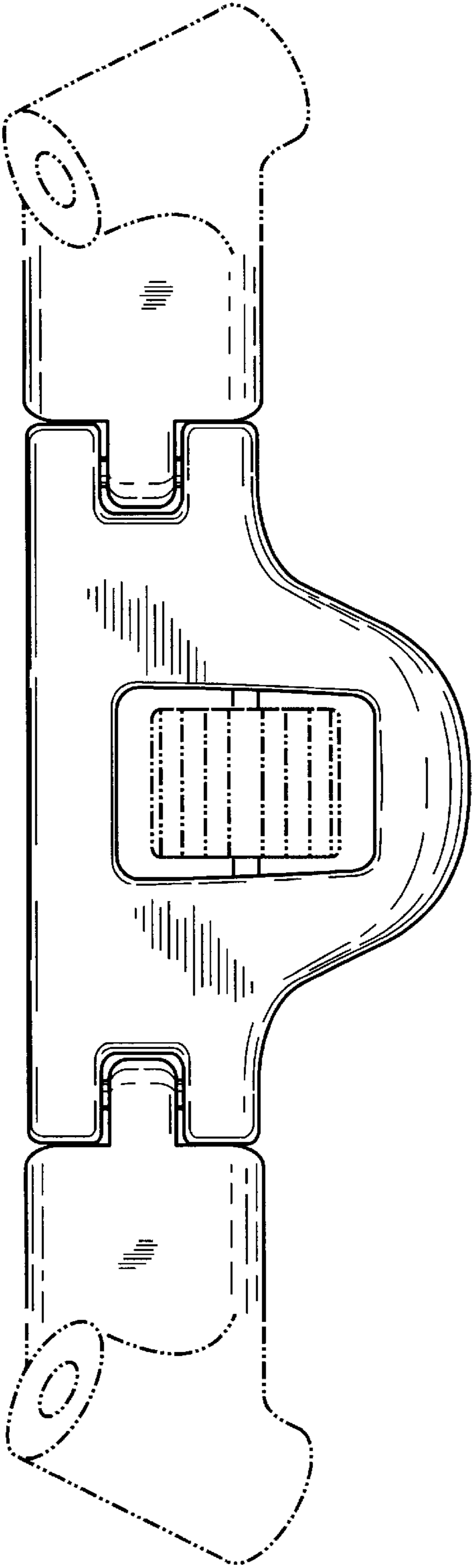


Fig. 3

Fig. 4

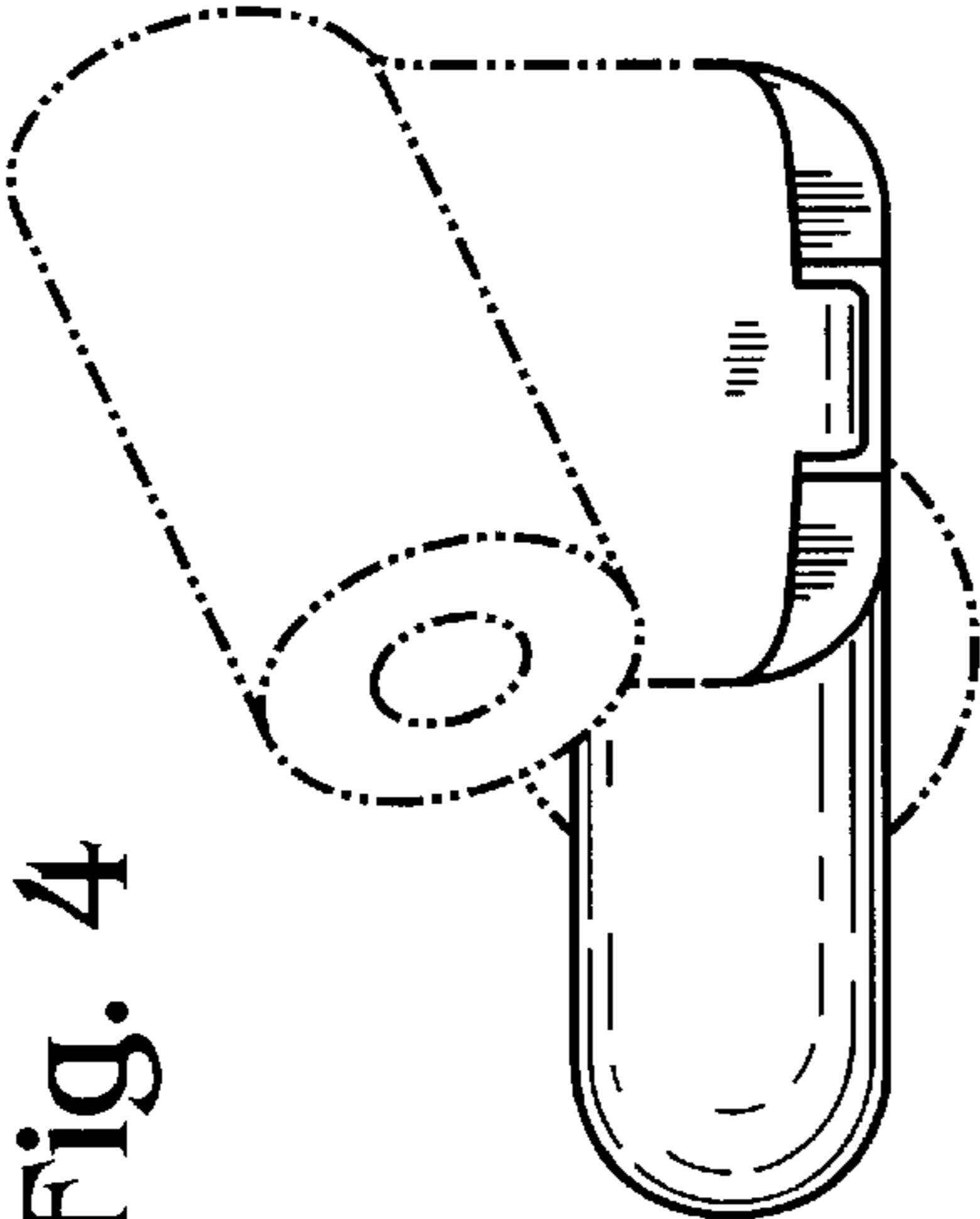


Fig. 5

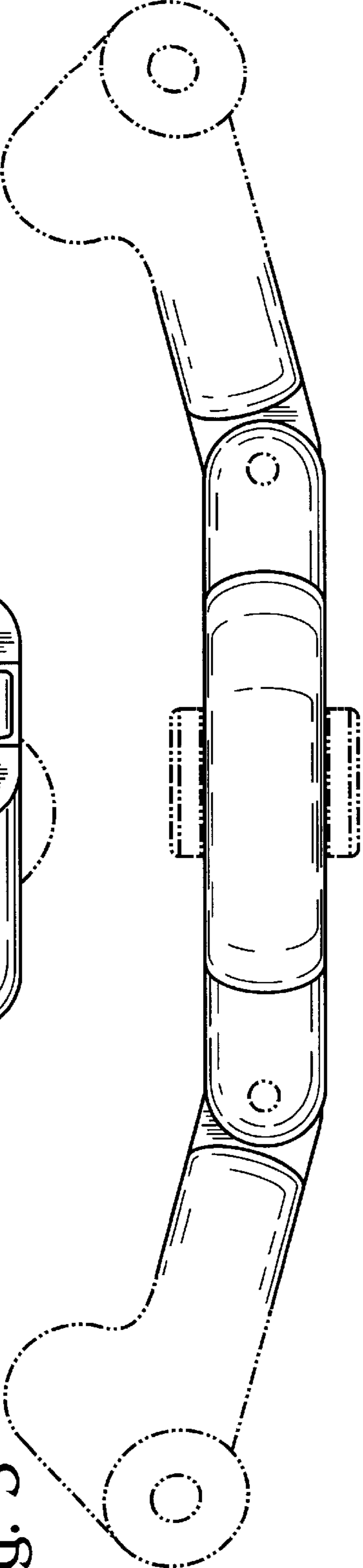


Fig. 6

