

US00D508585S

(12) **United States Design Patent**
Moore

(10) **Patent No.:** **US D508,585 S**

(45) **Date of Patent:** **** Aug. 16, 2005**

(54) **PORTABLE HAIR DRYER**

(76) **Inventor:** **Brenda L. Moore**, 11927 Covens
Forest Dr., Houston, TX (US) 77044

(**) **Term:** **14 Years**

(21) **Appl. No.:** **29/195,492**

(22) **Filed:** **Dec. 15, 2003**

(51) **LOC (8) Cl.** **28-03**

(52) **U.S. Cl.** **D28/12**

(58) **Field of Search** D28/12-19; 34/96-101;
392/380-385

3,946,498 A	3/1976	Waters	
4,662,084 A	5/1987	Maass	
D315,035 S	* 2/1991	Tucker D28/12
5,651,190 A	7/1997	Sanders	
5,787,601 A	* 8/1998	Stelly 34/99
6,052,915 A	4/2000	Turner	
D427,373 S	6/2000	Harris	
D486,941 S	* 2/2004	Terry D28/12

* cited by examiner

Primary Examiner—Lucy Lieberman

(57) **CLAIM**

The ornamental design for a portable hair dryer, as shown and described.

(56) **References Cited**

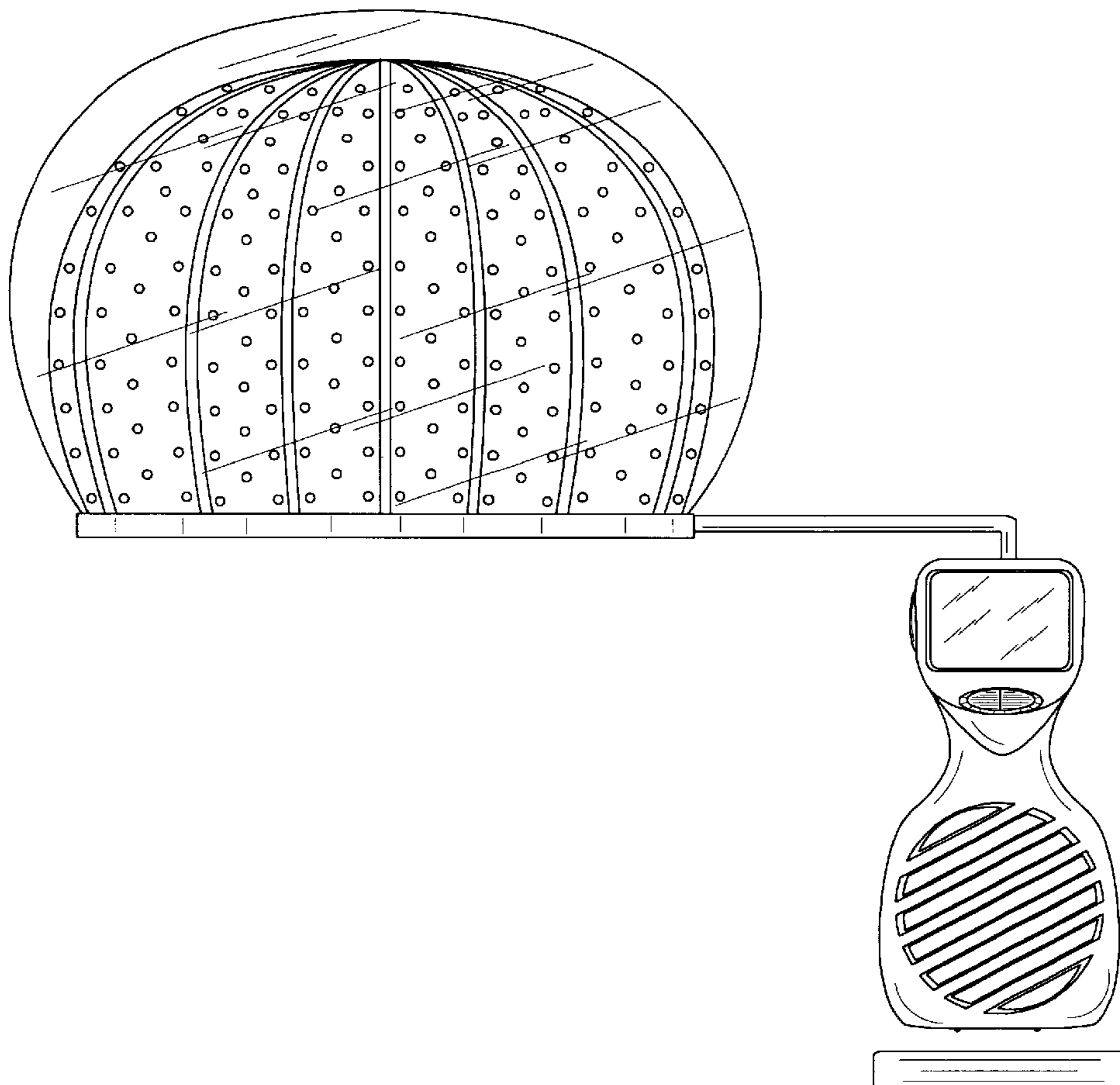
U.S. PATENT DOCUMENTS

2,416,788 A	*	3/1947	Andrews	34/99
D147,599 S	*	9/1947	Shields	D28/12
D155,482 S	*	10/1949	Collison	D28/12
D198,299 S	*	5/1964	Reiss	D28/19
D199,949 S	*	12/1964	Watlington	D28/17
3,383,700 A	*	5/1968	Taylor	34/99
3,727,321 A		4/1973	Waters		
3,829,984 A		8/1974	Hubner		

DESCRIPTION

FIG. 1 is a front elevational view of a portable hair dryer showing my new design;
FIG. 2 is a rear elevational view thereof;
FIG. 3 is a left side elevation thereof;
FIG. 4 is a right side elevation thereof; and,
FIG. 5 is a top plan view thereof.

1 Claim, 4 Drawing Sheets



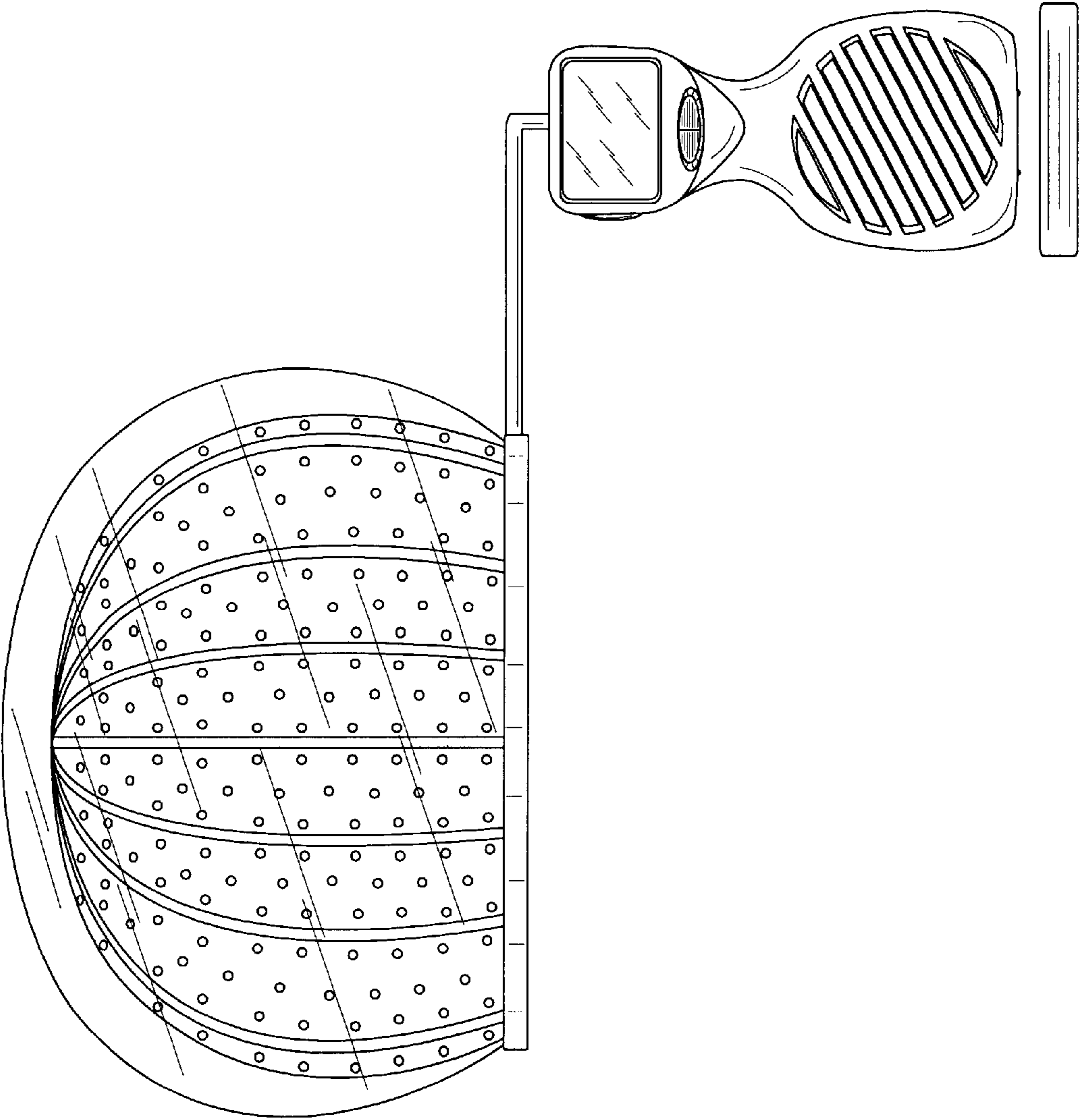


FIG. 1

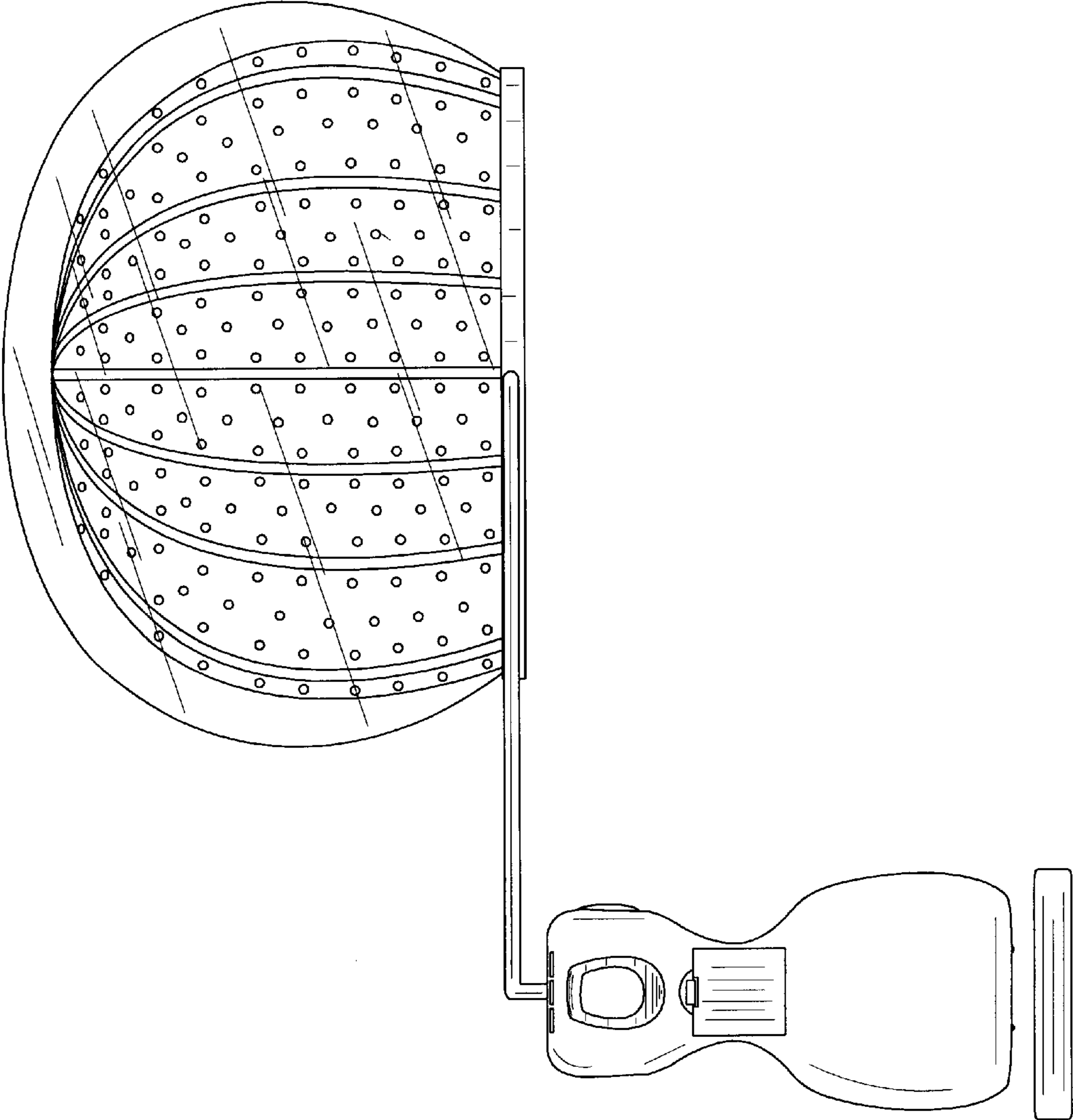


FIG. 2

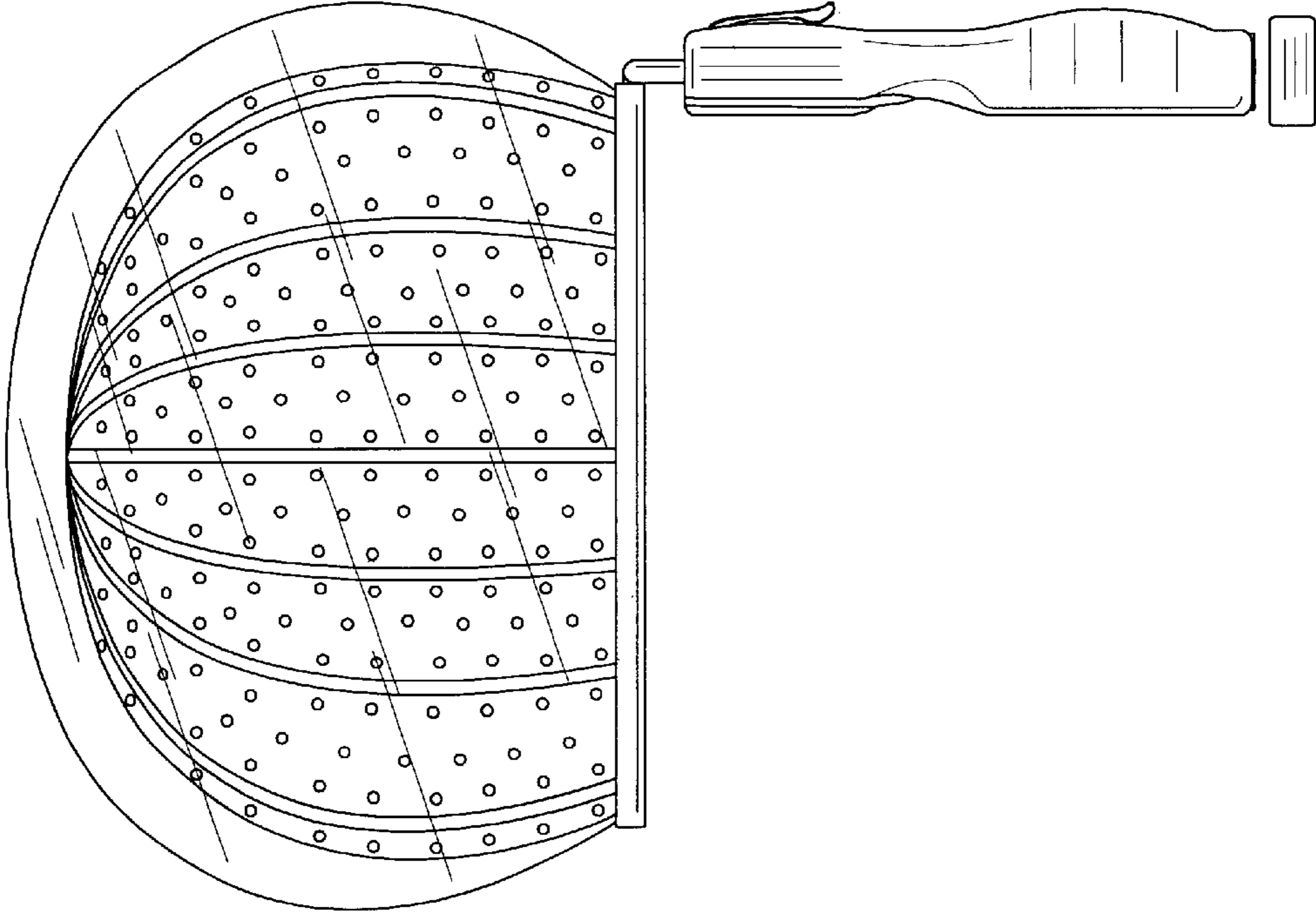


FIG. 4

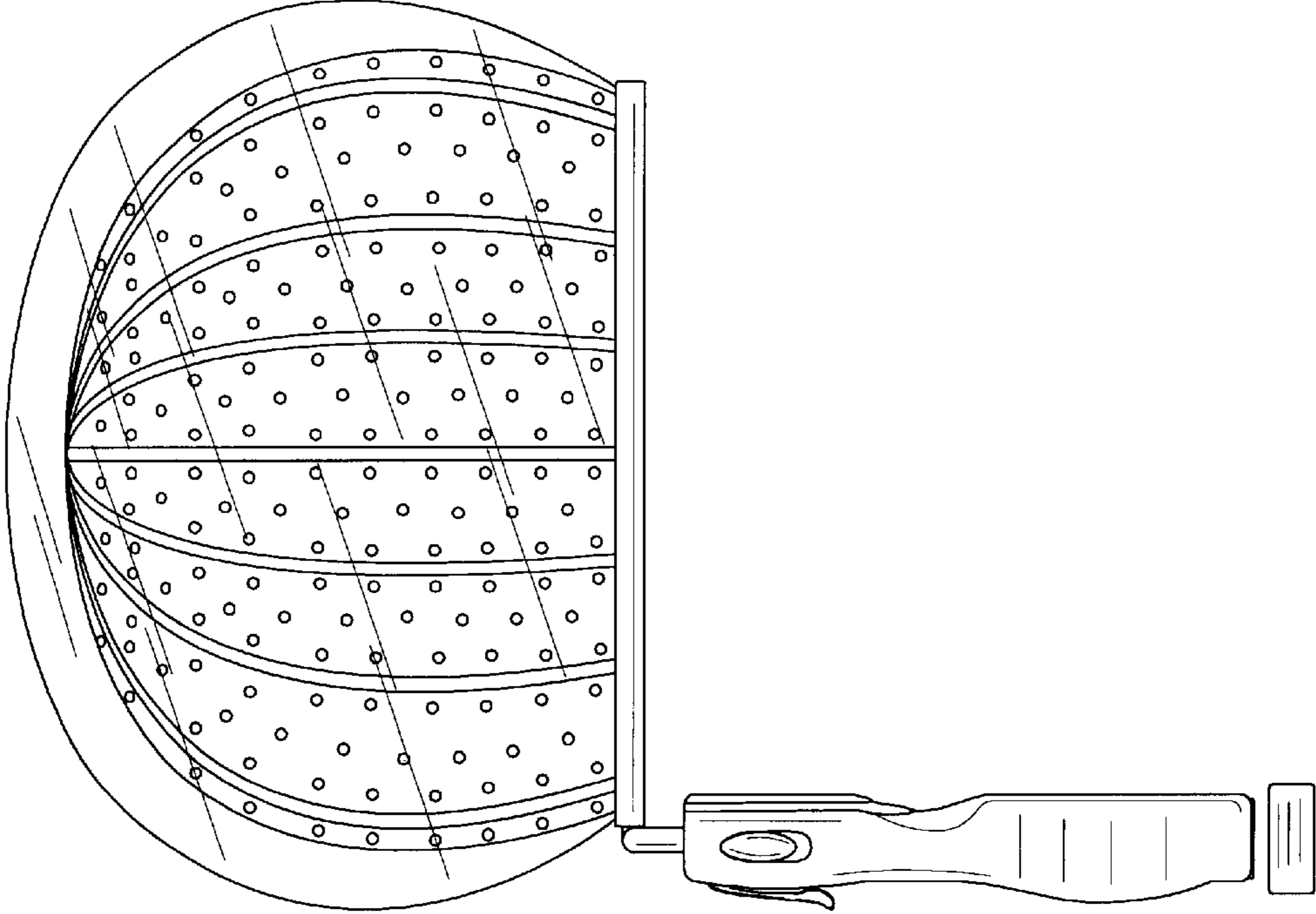


FIG. 3

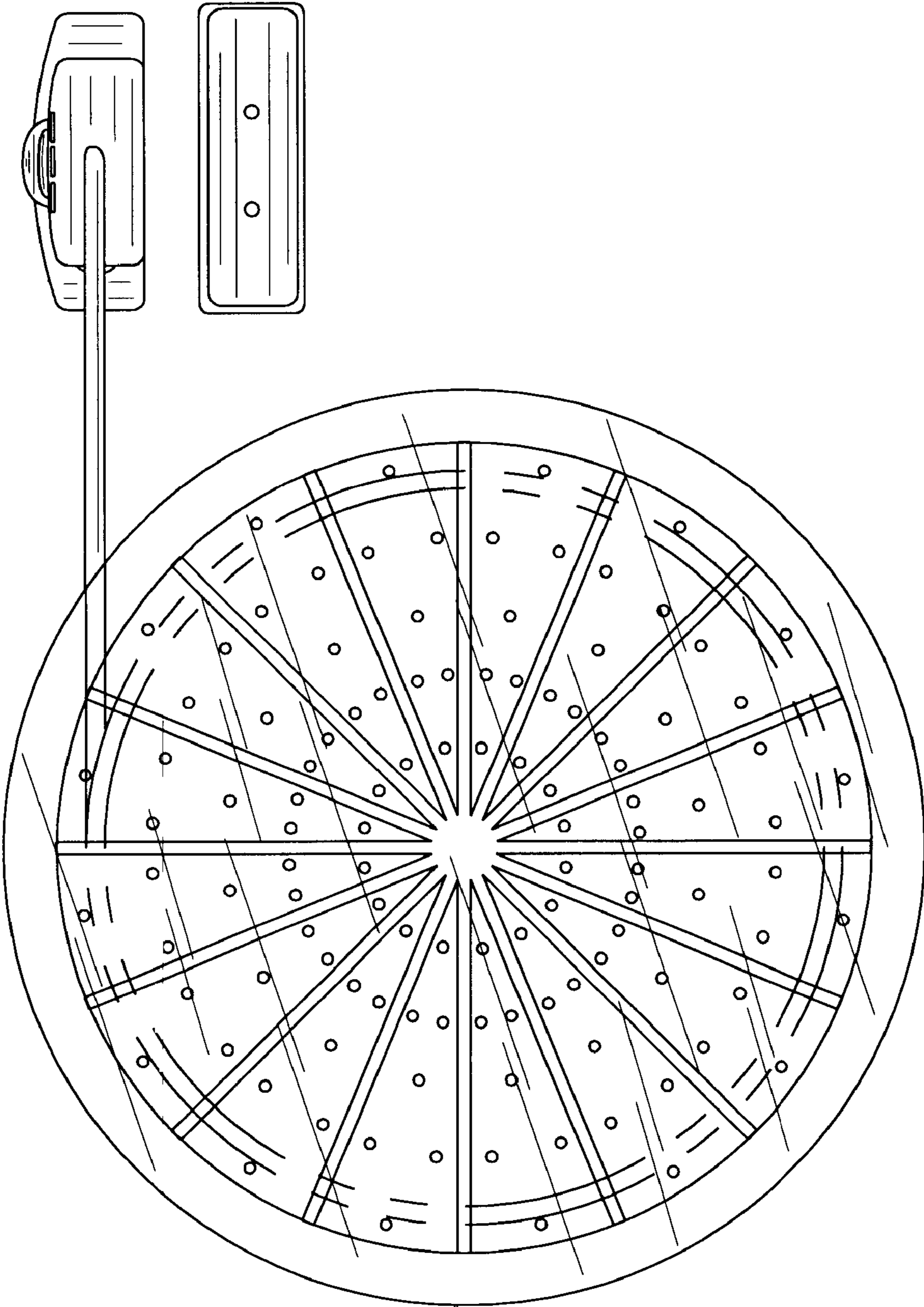


FIG. 5