

US00D508582S

(12) **United States Design Patent** (10) **Patent No.:** **US D508,582 S**  
**Nayler et al.** (45) **Date of Patent:** **\*\* \*Aug. 16, 2005**

(54) **COMPACT LIGHT ASSEMBLY**

- (75) Inventors: **T. Kenneth Nayler**, Concord (CA);  
**Douglas S. Nayler**, Concord (CA)
- (73) Assignee: **Envirolights Mfg., Inc.**, Concord (CA)
- (\*) Notice: This patent is subject to a terminal disclaimer.
- (\*\*) Term: **14 Years**

(21) Appl. No.: **29/171,820**

(22) Filed: **Dec. 2, 2002**

(51) **LOC (8) Cl.** ..... **26-03**

(52) **U.S. Cl.** ..... **D26/76; D26/78**

(58) **Field of Search** ..... D26/72, 75-78,  
D26/24; 362/147, 217-226, 431, 432

(56) **References Cited**

**U.S. PATENT DOCUMENTS**

D123,887 S	12/1940	Koehler	
D135,253 S	3/1943	Hrabak	
D135,254 S	3/1943	Hrabak	
D158,803 S	5/1950	Russell	
2,732,484 A	1/1956	Lipscomb	
2,827,555 A *	3/1958	Woolley	362/217
D189,256 S *	11/1960	Rothman	D26/76
3,023,539 A	3/1962	Emerson	
D203,060 S *	11/1965	Schaefer	D26/76
4,074,457 A	2/1978	Sato et al.	
4,117,624 A	10/1978	Phillips	
4,654,998 A	4/1987	Clay	
4,876,822 A	10/1989	White	
4,959,923 A *	10/1990	Aiello et al.	43/112
4,979,329 A	12/1990	Olive et al.	
5,251,397 A	10/1993	Exum et al.	
5,365,690 A	11/1994	Nelson et al.	
D421,816 S *	3/2000	Canton Gongora et al.	D26/76
6,289,629 B2 *	9/2001	Greening	43/113
D469,560 S *	1/2003	Nayler et al.	D26/78
2001/0042337 A1 *	11/2001	Lambert et al.	43/113
2002/0083639 A1 *	7/2002	Perry	43/114

**OTHER PUBLICATIONS**

Iluminotecnica, May 1997, p. 1, light fixture in top right photo.  
 Legion Lighting Co. Inc.'s Buying guide, dated Nov. 1968; p. 34, Series 1294-1194 (top illustration).  
 The Flylight, Distributed in Canada by KemSan Inc., Oakville, Ontario.  
 Catchmaster, Distributed by Atlantic Paste & Glue Co., Inc., Brooklyn, New York.  
 Catchmaster, Distributed by Atlantic Paste & Glue Co., Inc., Brooklyn, New York.

\* cited by examiner

*Primary Examiner*—Clare E Heflin

(74) *Attorney, Agent, or Firm*—Sim & McBurney

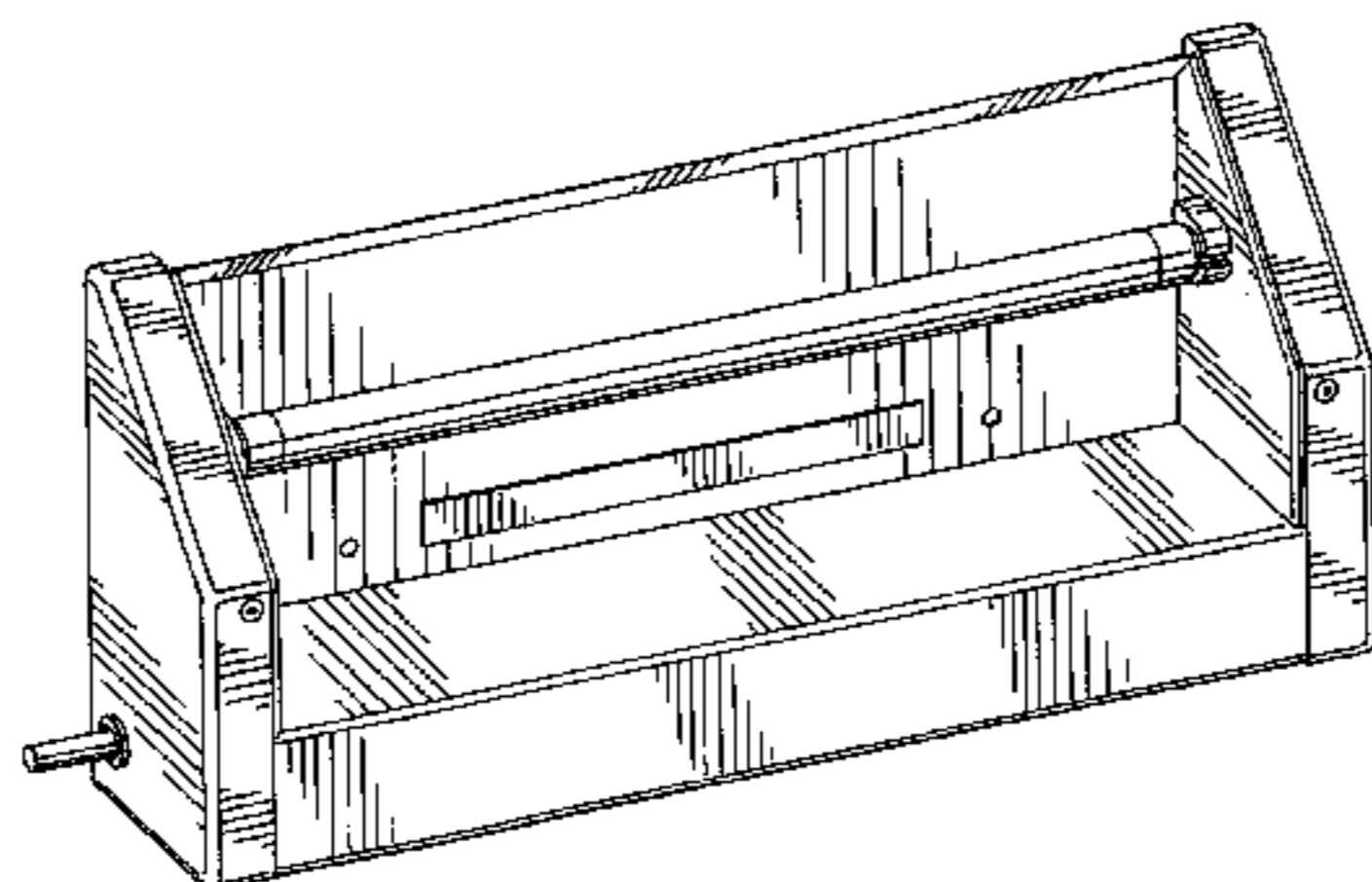
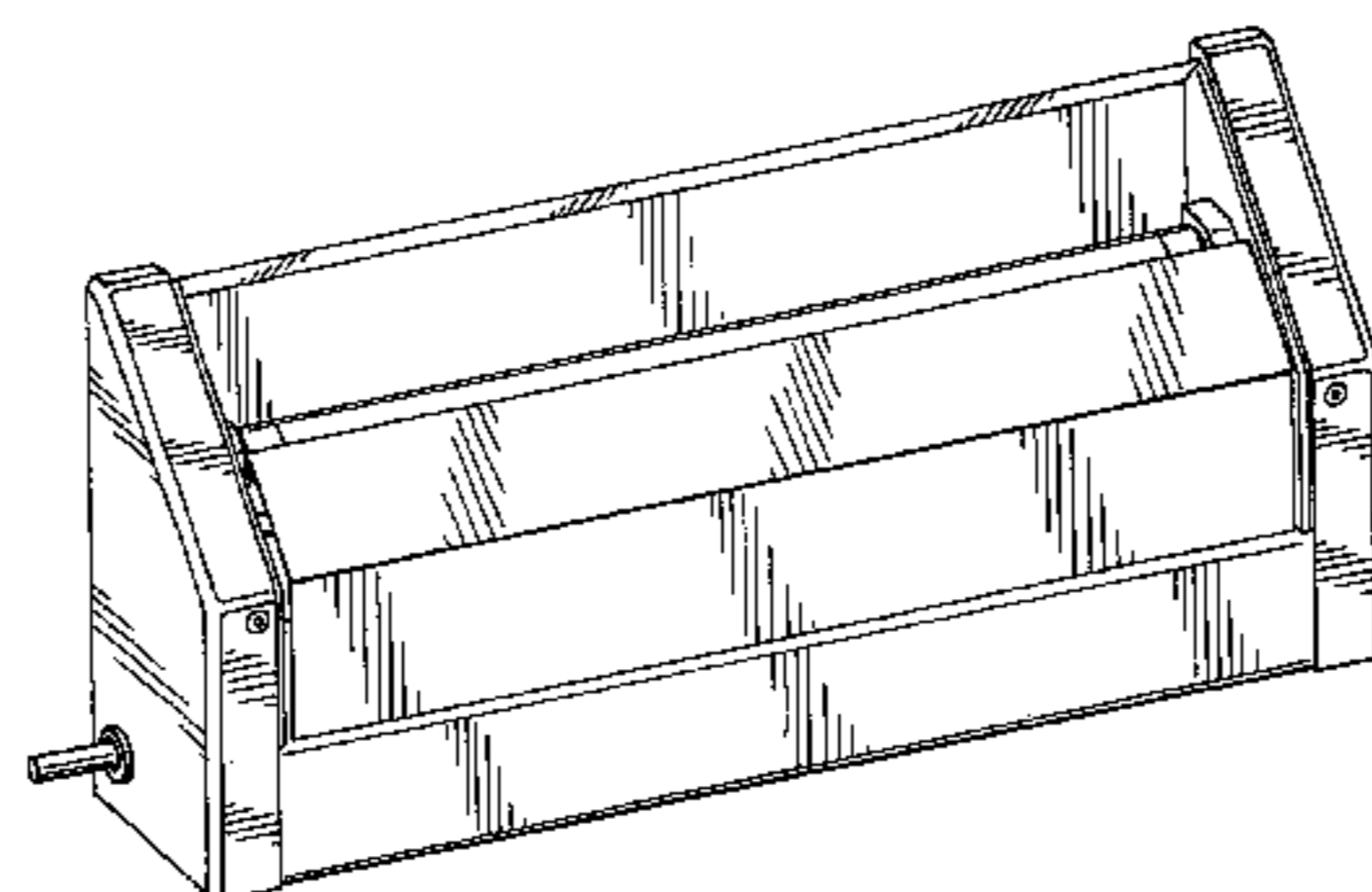
(57) **CLAIM**

The ornamental design for a compact light assembly, as shown and described.

**DESCRIPTION**

FIG. 1 is an isometric view taken from above and from the side of the compact light assembly embodying our new design;  
 FIG. 2 is a front elevational view thereof;  
 FIG. 3 is a top plan view thereof;  
 FIG. 4 is a right side elevational view thereof;  
 FIG. 5 is a left side elevational view thereof;  
 FIG. 6 is a bottom plan view thereof;  
 FIG. 7 is a rear elevational view thereof;  
 FIG. 8 is another isometric view taken from above and from the side of the compact light assembly of FIG. 1 with the glue board removed;  
 FIG. 9 is a front elevational view thereof;  
 FIG. 10 is an isometric view taken from above and from the side of an alternative embodiment of the compact light assembly embodying our new design;  
 FIG. 11 is a front elevational view thereof;  
 FIG. 12 is a top plan view thereof;  
 FIG. 13 is a bottom plan view thereof;  
 FIG. 14 is another isometric view taken from above and from the side of the compact light assembly of FIG. 10 with the glue board removed; and,  
 FIG. 15 is a front elevational view thereof.

**1 Claim, 14 Drawing Sheets**



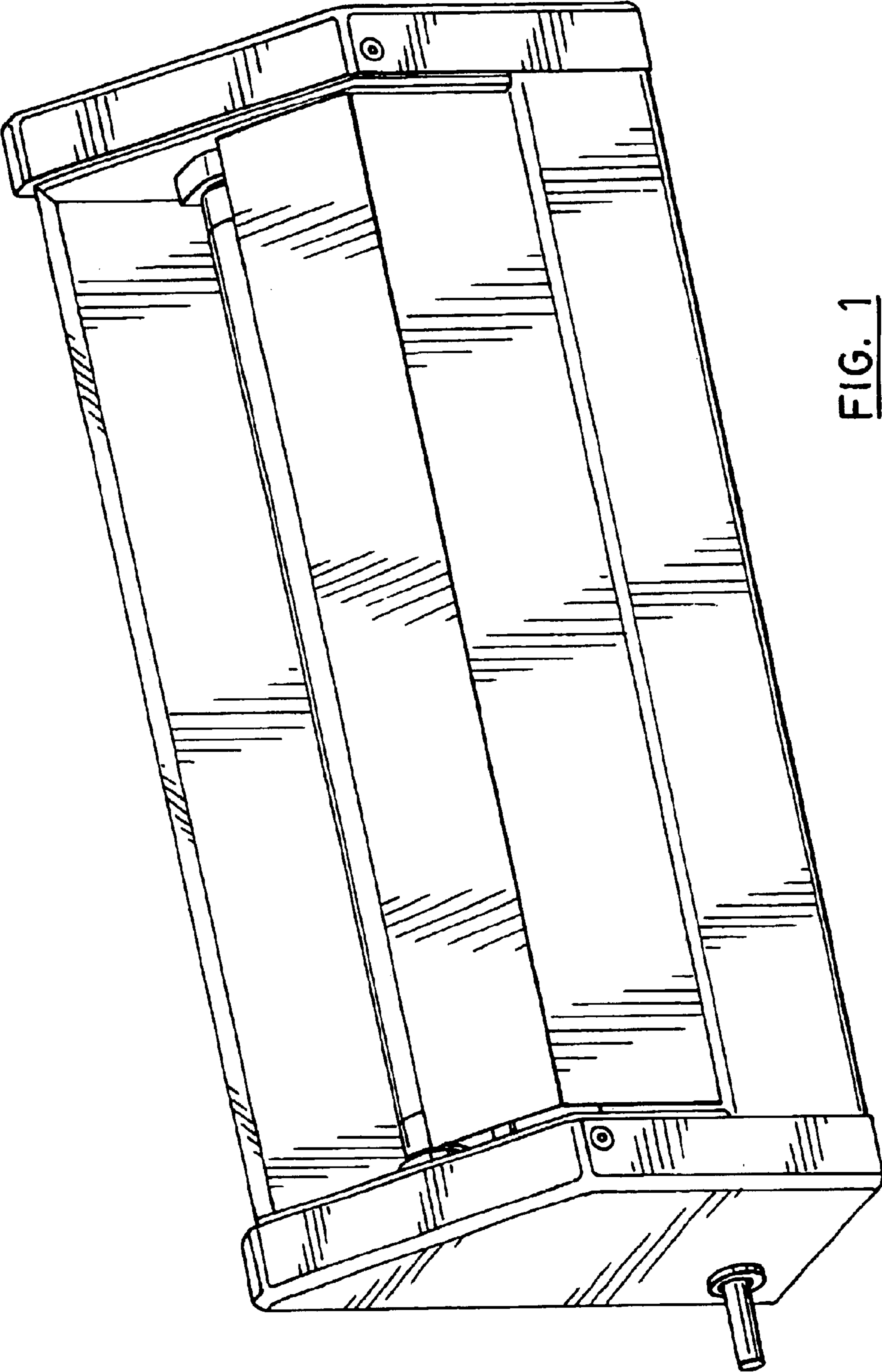


FIG. 1

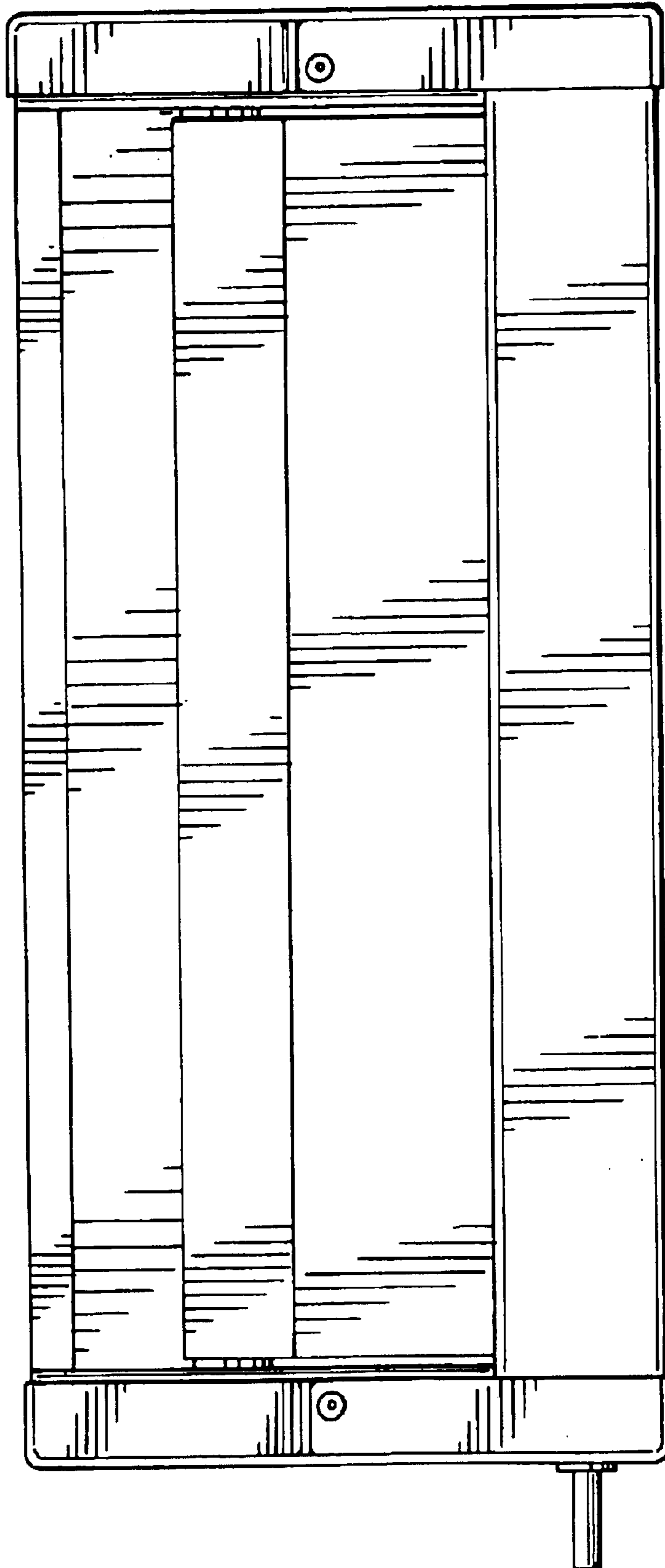


FIG. 2

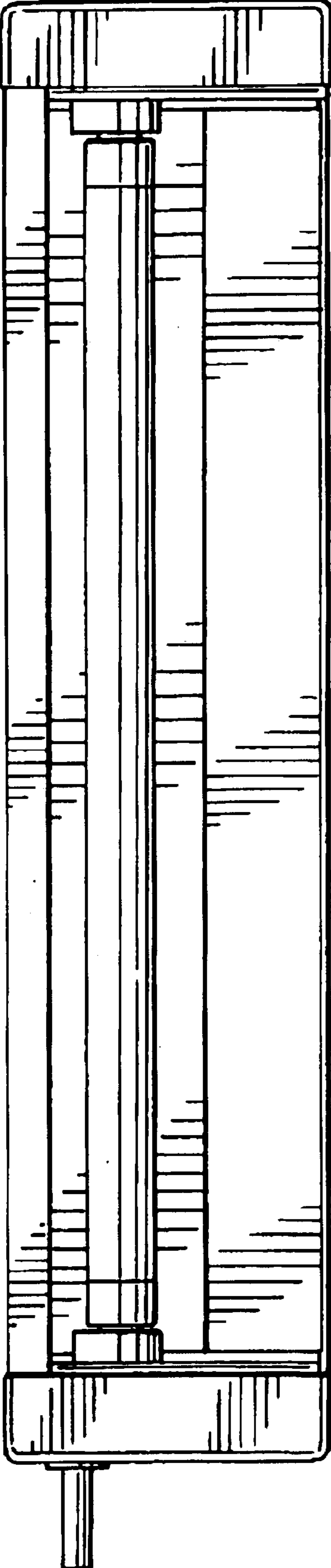


FIG. 3

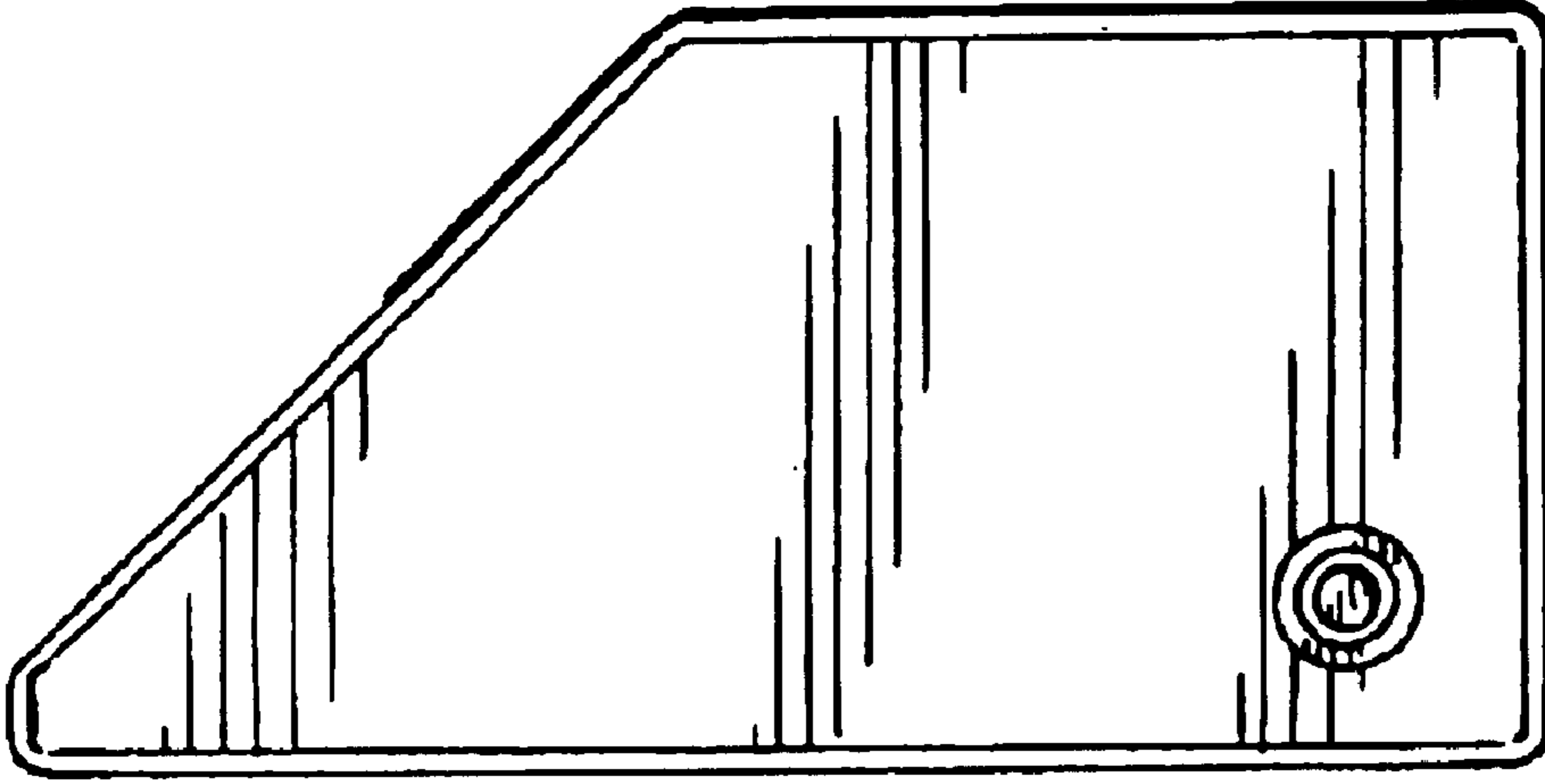


FIG. 5

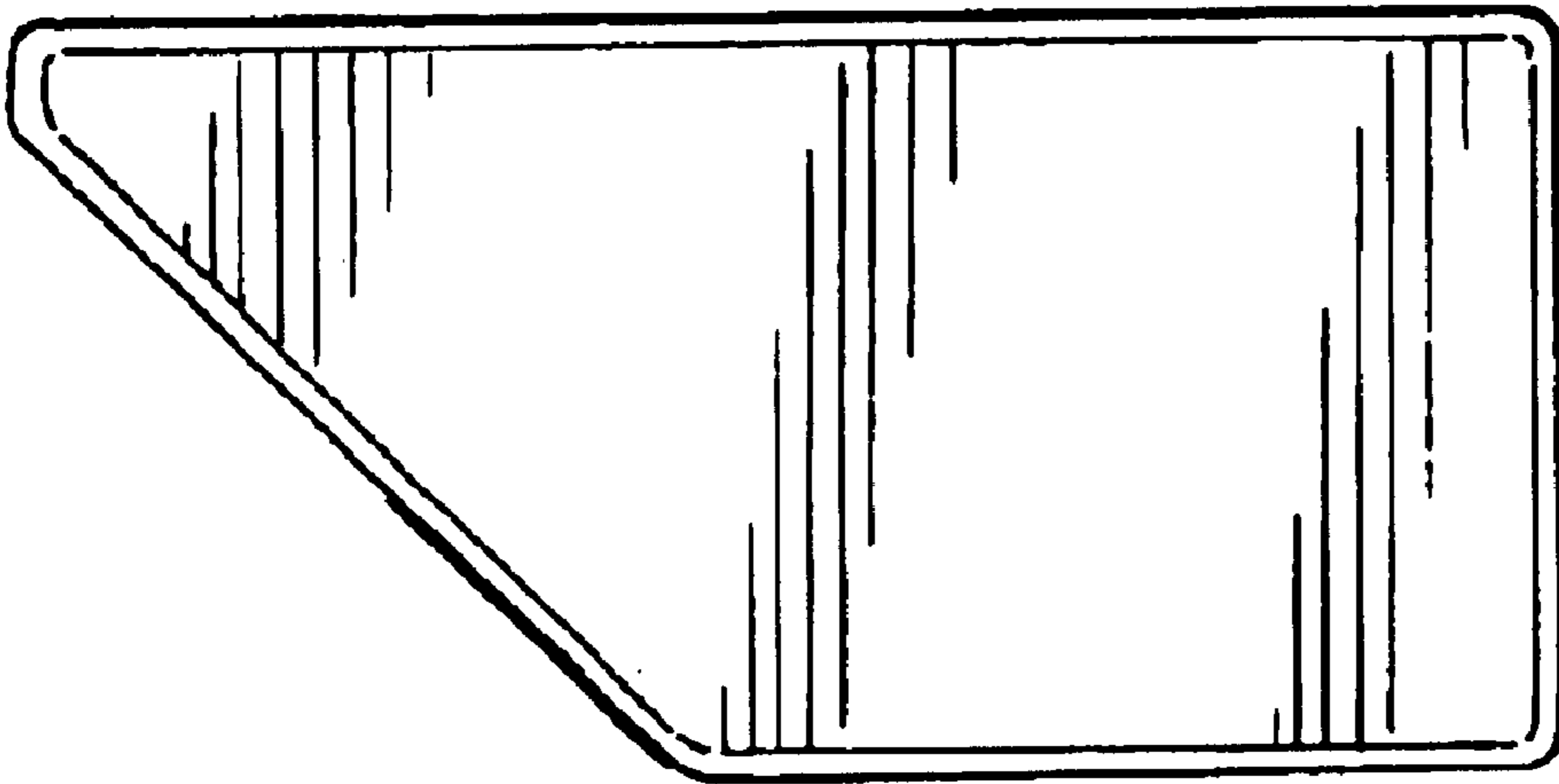


FIG. 4

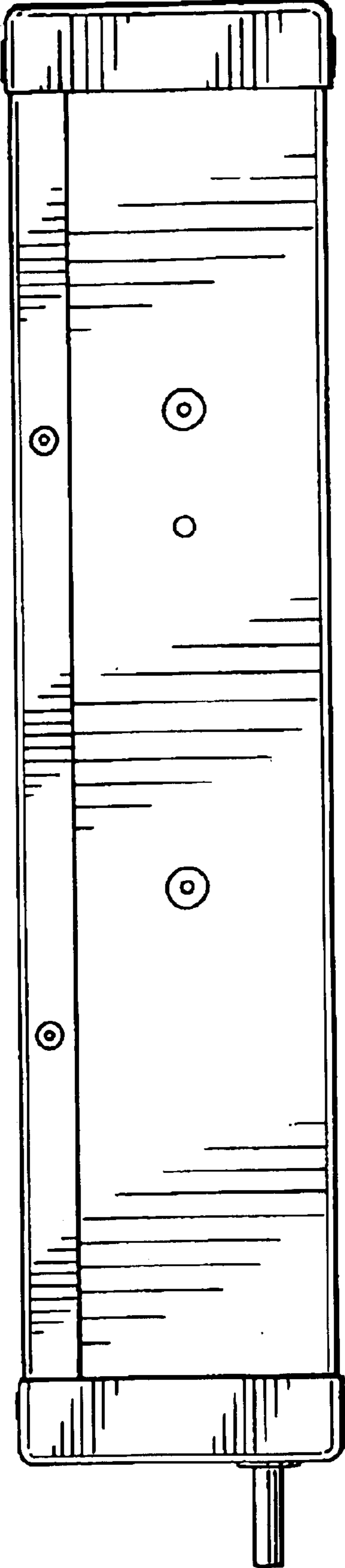


FIG. 6

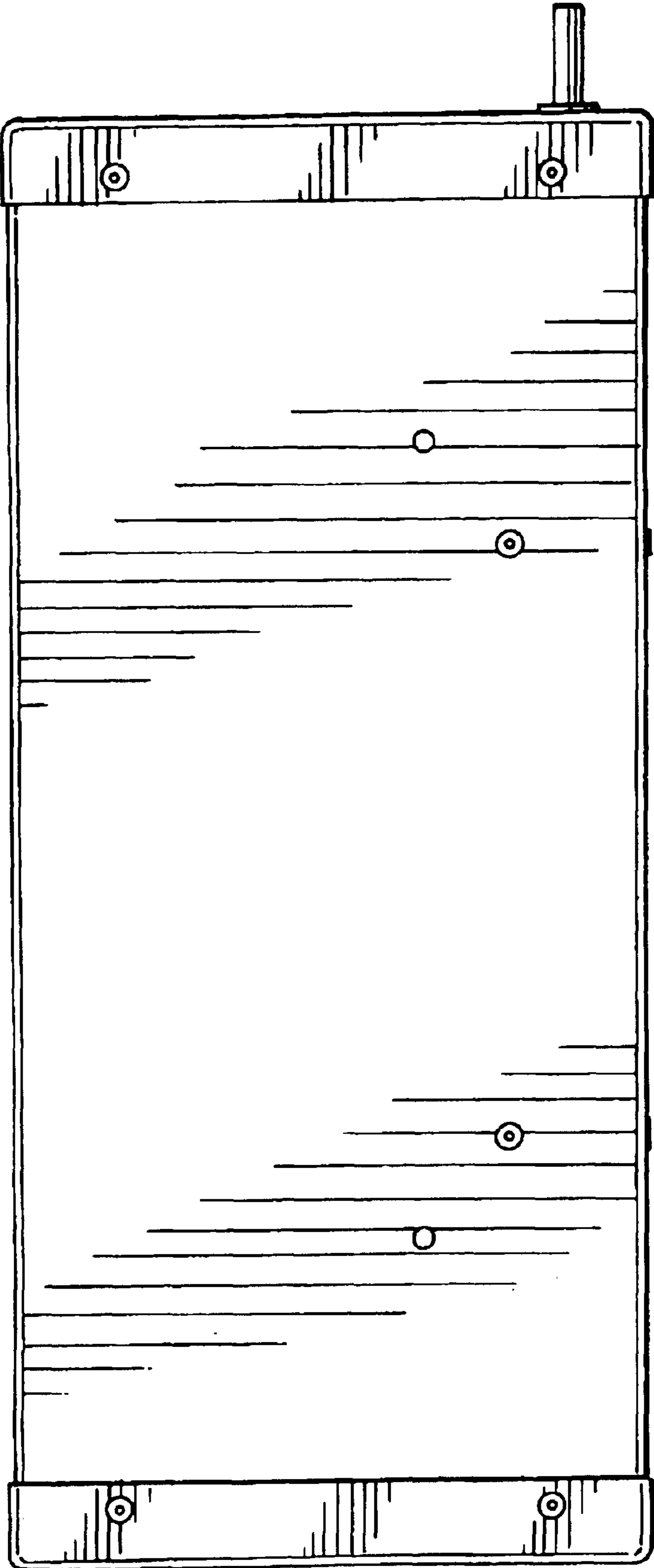


FIG. 7

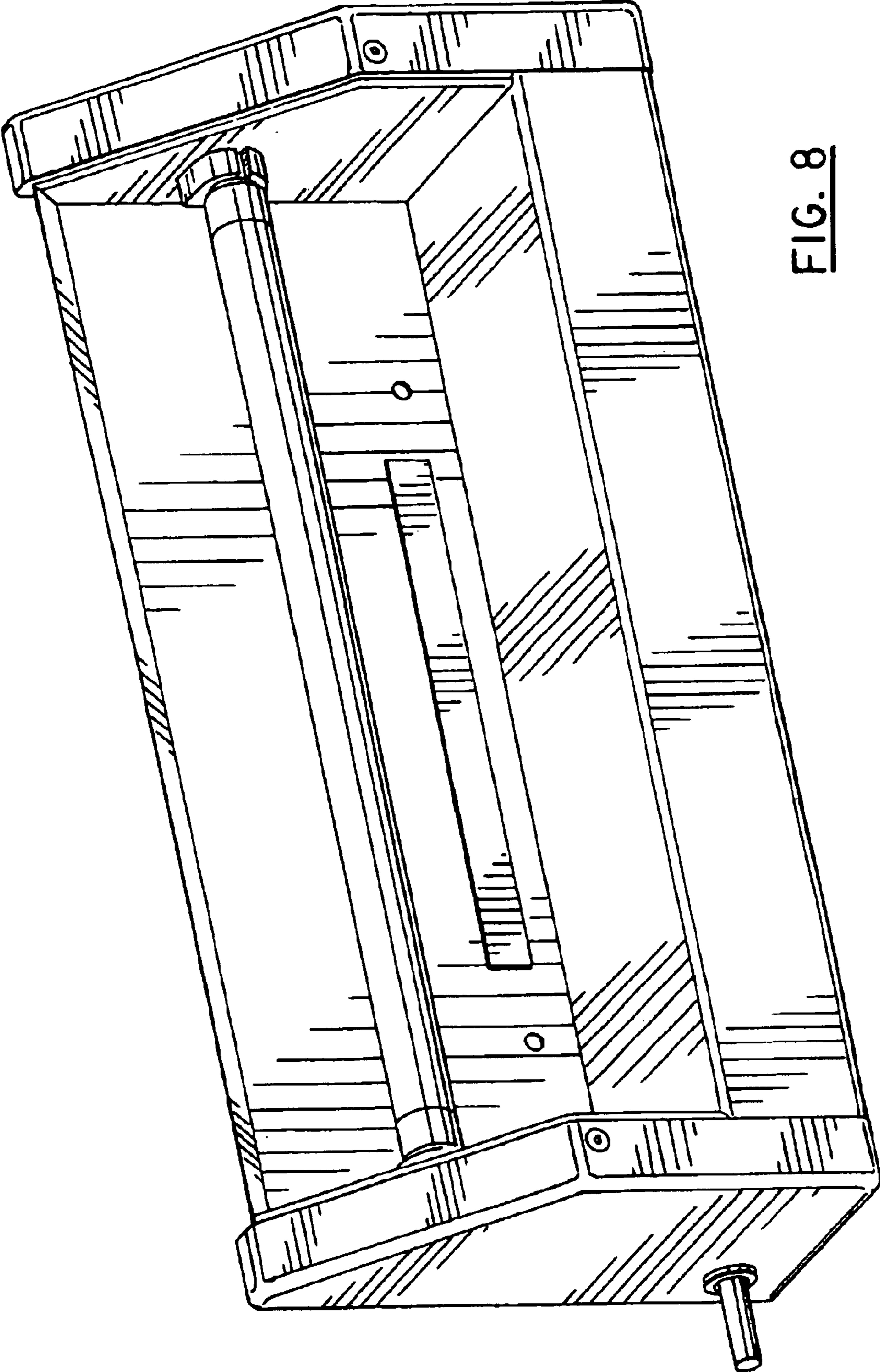


FIG. 8



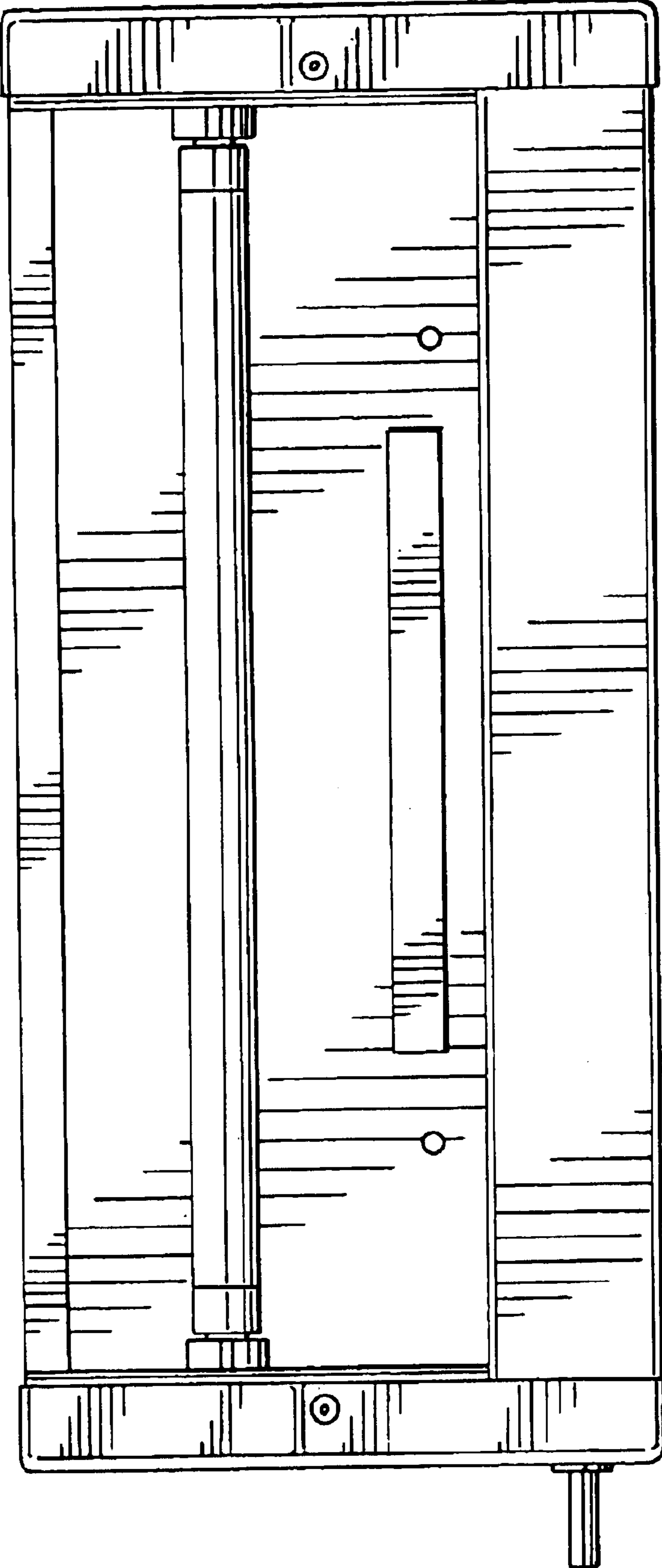


FIG. 9

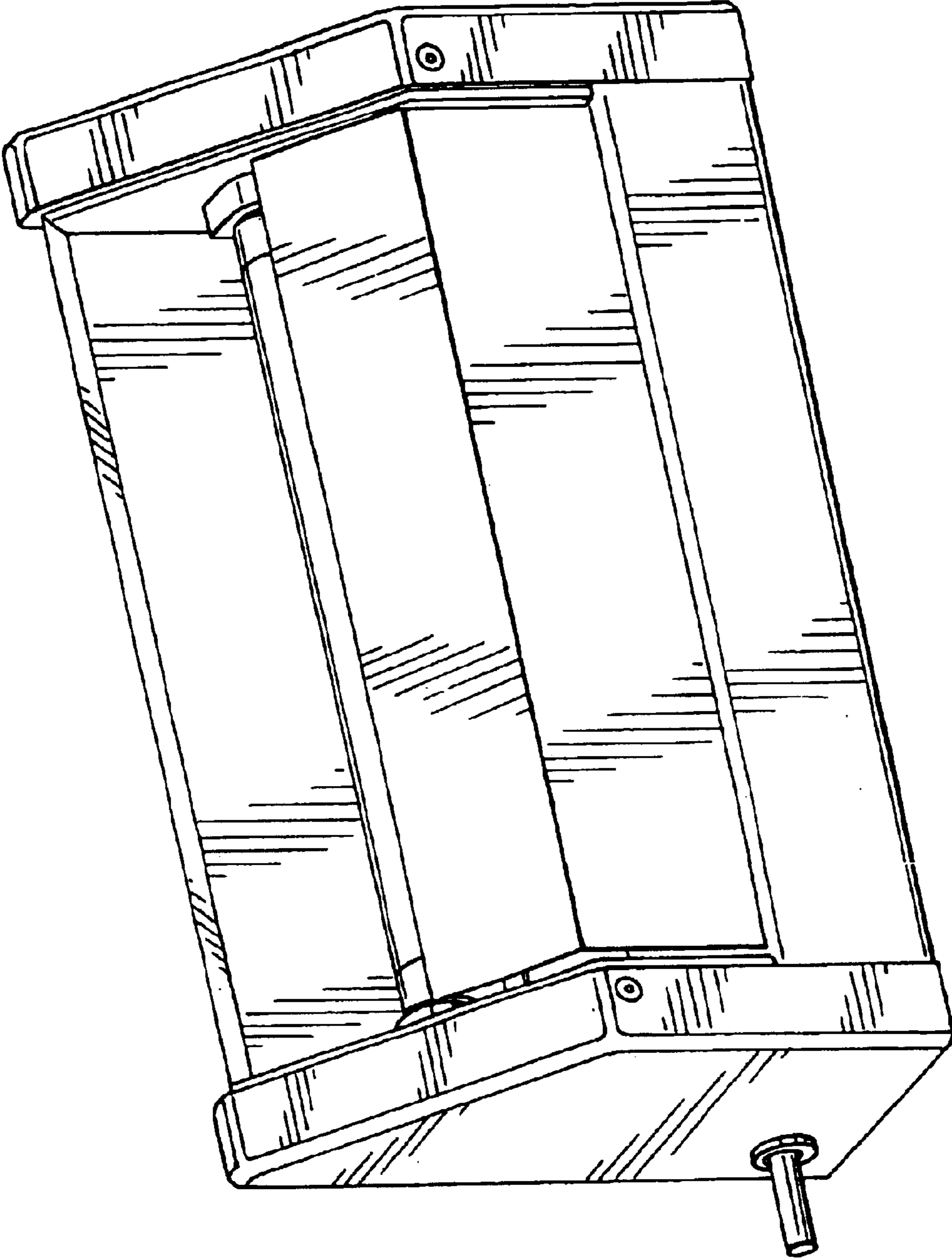


FIG. 10

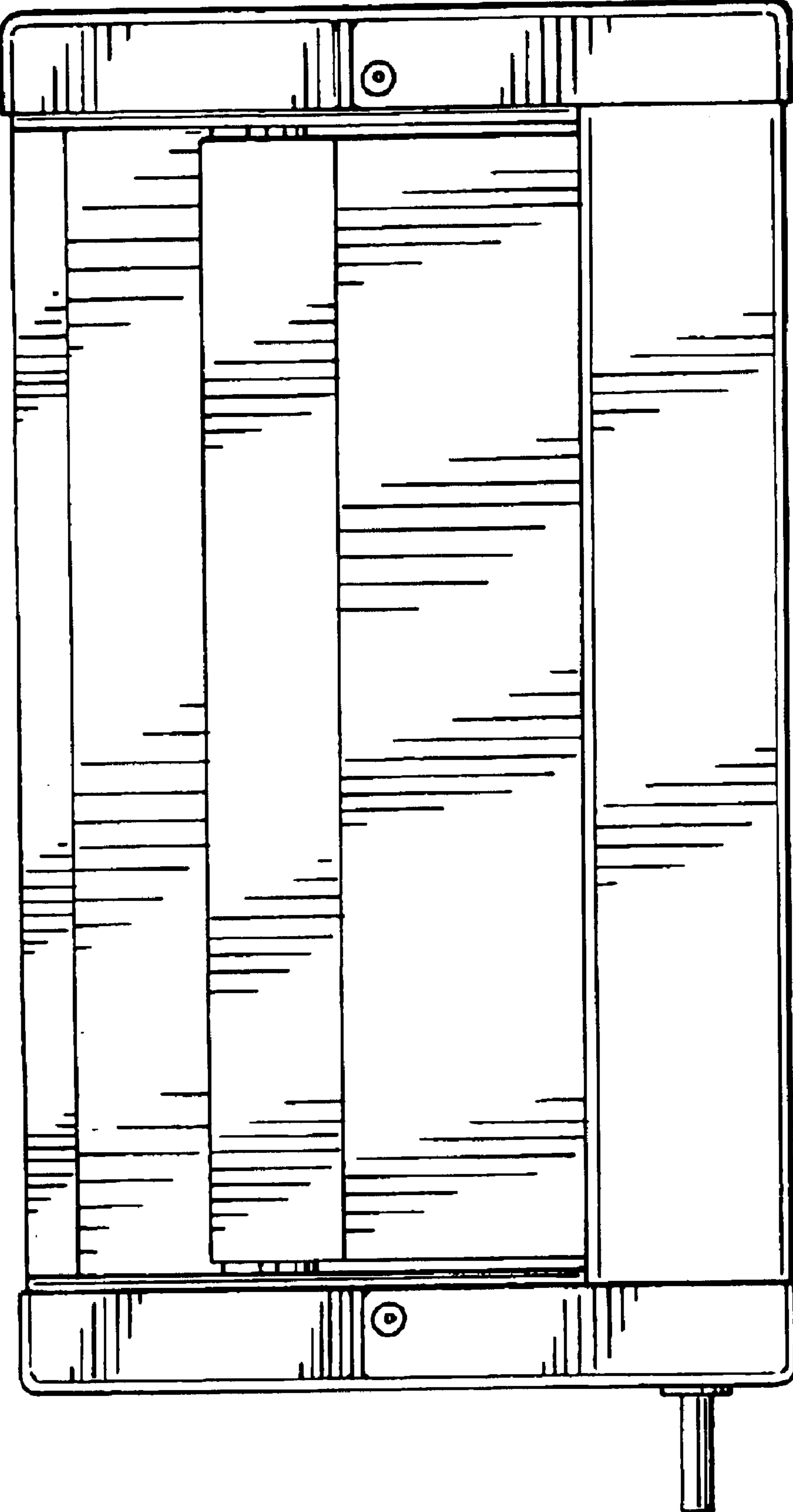


FIG. 11

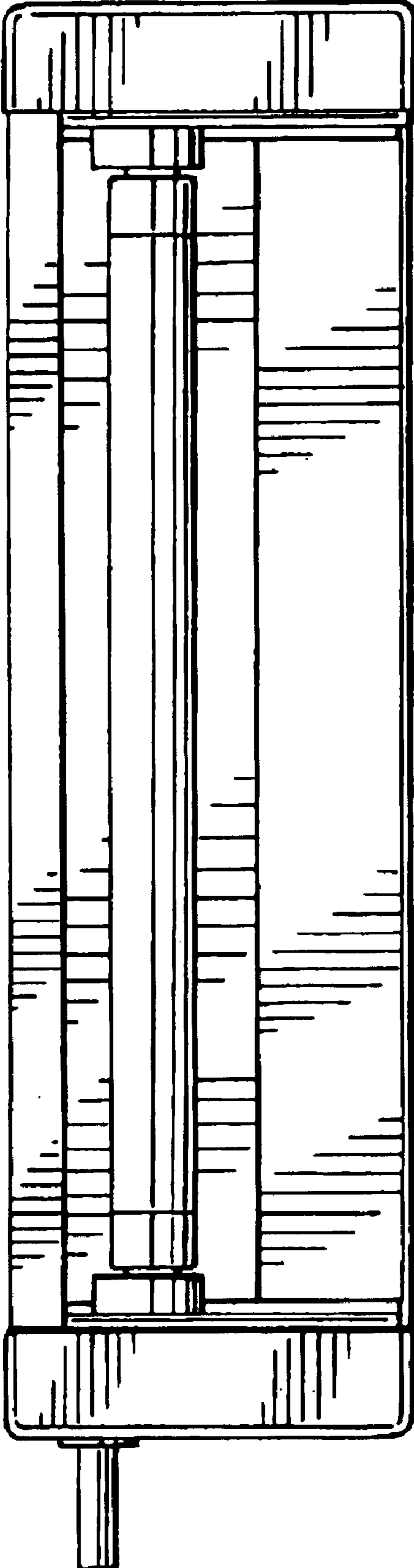


FIG. 12

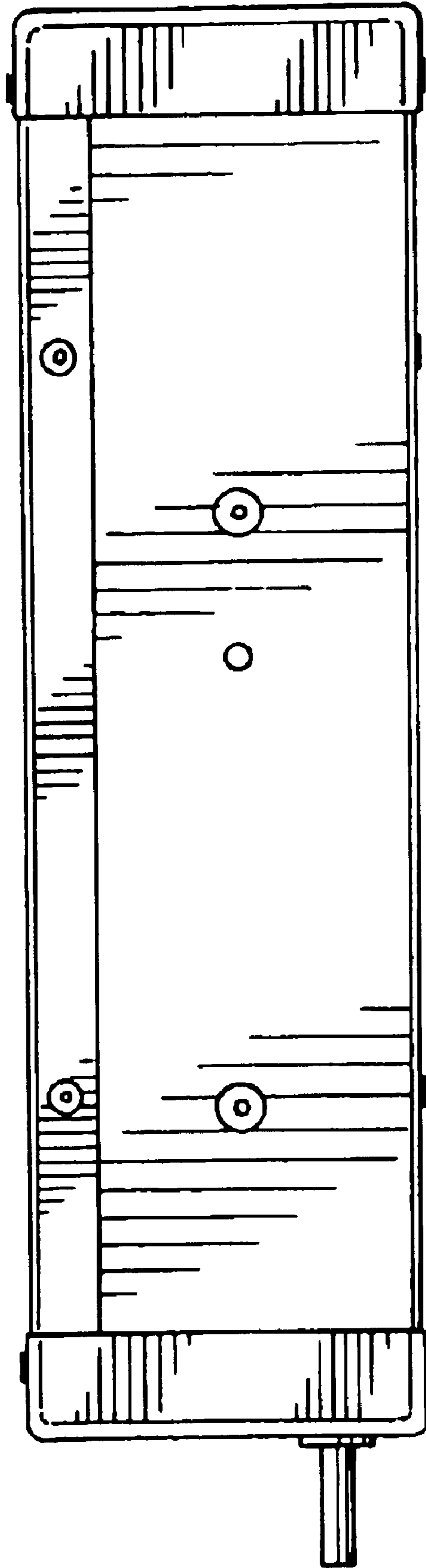


FIG. 13

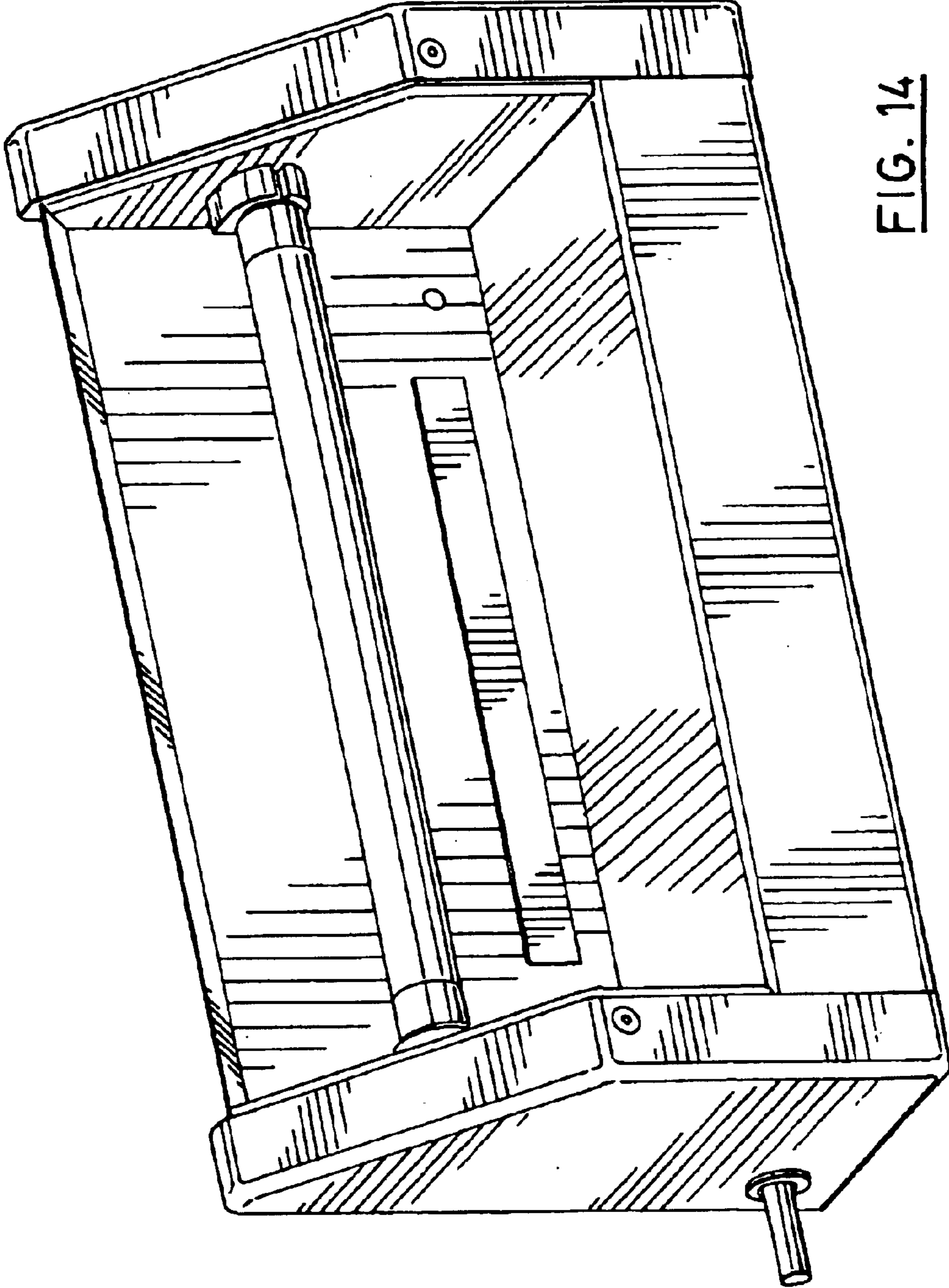


FIG. 14

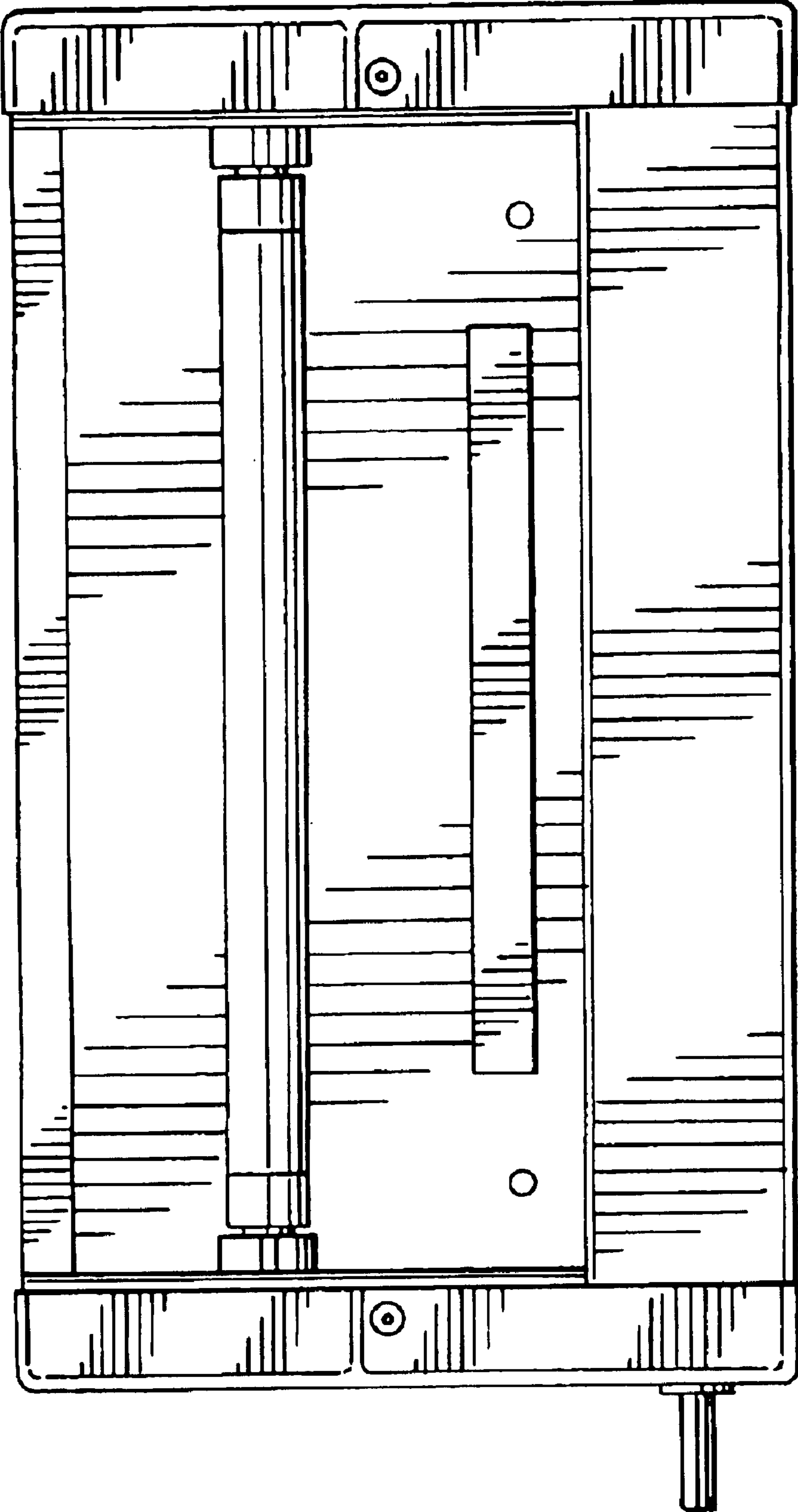


FIG. 15